

US00D747175S

(12) **United States Design Patent**
Linares

(10) **Patent No.:** **US D747,175 S**
(45) **Date of Patent:** **** Jan. 12, 2016**

(54) **THUMB TURN LATCH**
(71) Applicant: **ApexOEM, Inc.**, Fullerton, CA (US)
(72) Inventor: **Rodolfo Linares**, Whittier, CA (US)
(73) Assignee: **ApexOEM, Inc.**, Fullerton, CA (US)
(**) Term: **14 Years**

6,113,160 A 9/2000 Johansson et al.
D433,309 S * 11/2000 Johansson et al. D8/331
D435,427 S * 12/2000 Sokurenko D8/331
6,460,902 B1 10/2002 Kyle
6,501,037 B2 * 12/2002 Gressier et al. 200/341
D471,428 S 3/2003 Mirick
6,575,503 B1 * 6/2003 Johansson et al. 292/170
D489,958 S 5/2004 Jackson et al.
6,877,782 B2 4/2005 Magnusson
D506,120 S 6/2005 Straka et al.
D534,785 S 1/2007 Mlynarczyk et al.
D549,075 S * 8/2007 Jackson, Jr. D8/331
D621,685 S 8/2010 Sarnowski
7,980,105 B2 * 7/2011 Yang 70/375
D700,038 S 2/2014 Linares

(21) Appl. No.: **29/502,036**
(22) Filed: **Sep. 11, 2014**
(51) **LOC (10) Cl.** **08-07**
(52) **U.S. Cl.**
USPC **D8/331**
(58) **Field of Classification Search**
USPC D8/330, 331, 343, 321, DIG. 10; 70/77,
70/91, 136, 141, 174, 208, 471;
292/336.3, 322, 359, 348, 337, 195,
292/198, 207, DIG. 26, DIG. 31, 237
CPC E05B 9/00; E05B 1/12; E05B 1/08;
E05C 3/00; E05C 3/12; E05C 5/00
See application file for complete search history.

* cited by examiner

Primary Examiner — Prabhakar Deshmukh
(74) *Attorney, Agent, or Firm* — Raymond Sun

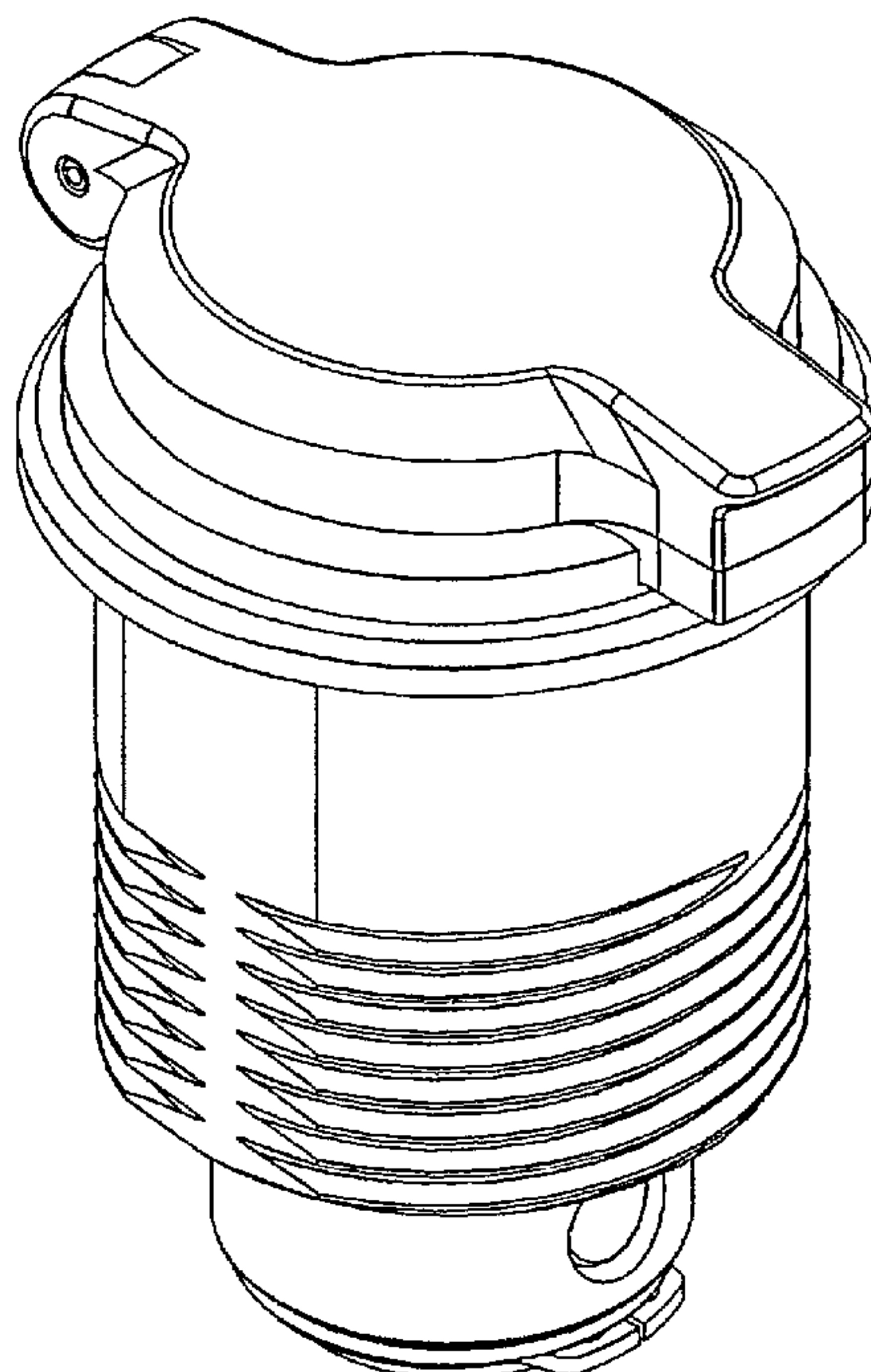
(57) **CLAIM**
The ornamental design for a “thumb turn latch”, as shown and described.

DESCRIPTION

FIG. 1 is a perspective view of a thumb turn latch showing my new design.
FIG. 2 is a top view thereof;
FIG. 3 is a bottom view thereof;
FIG. 4 is a front view thereof;
FIG. 5 is rear view thereof;
FIG. 6 is a left view thereof; and,
FIG. 7 is a right view thereof.
The broken lines in the drawings indicate unclaimed portions and form no part of the claimed design.

(56) **References Cited**
U.S. PATENT DOCUMENTS
3,541,819 A * 11/1970 Kerr 70/491
D263,555 S * 3/1982 Curtis D8/331
4,802,354 A * 2/1989 Johnson 70/491
4,978,152 A 12/1990 Bishing
D365,011 S * 12/1995 Myers D8/331
D370,620 S 6/1996 Ziemer
5,634,359 A * 6/1997 Huebschen 70/379 R
D410,190 S * 5/1999 Freck D8/331
6,109,669 A 8/2000 Pinkow

1 Claim, 4 Drawing Sheets



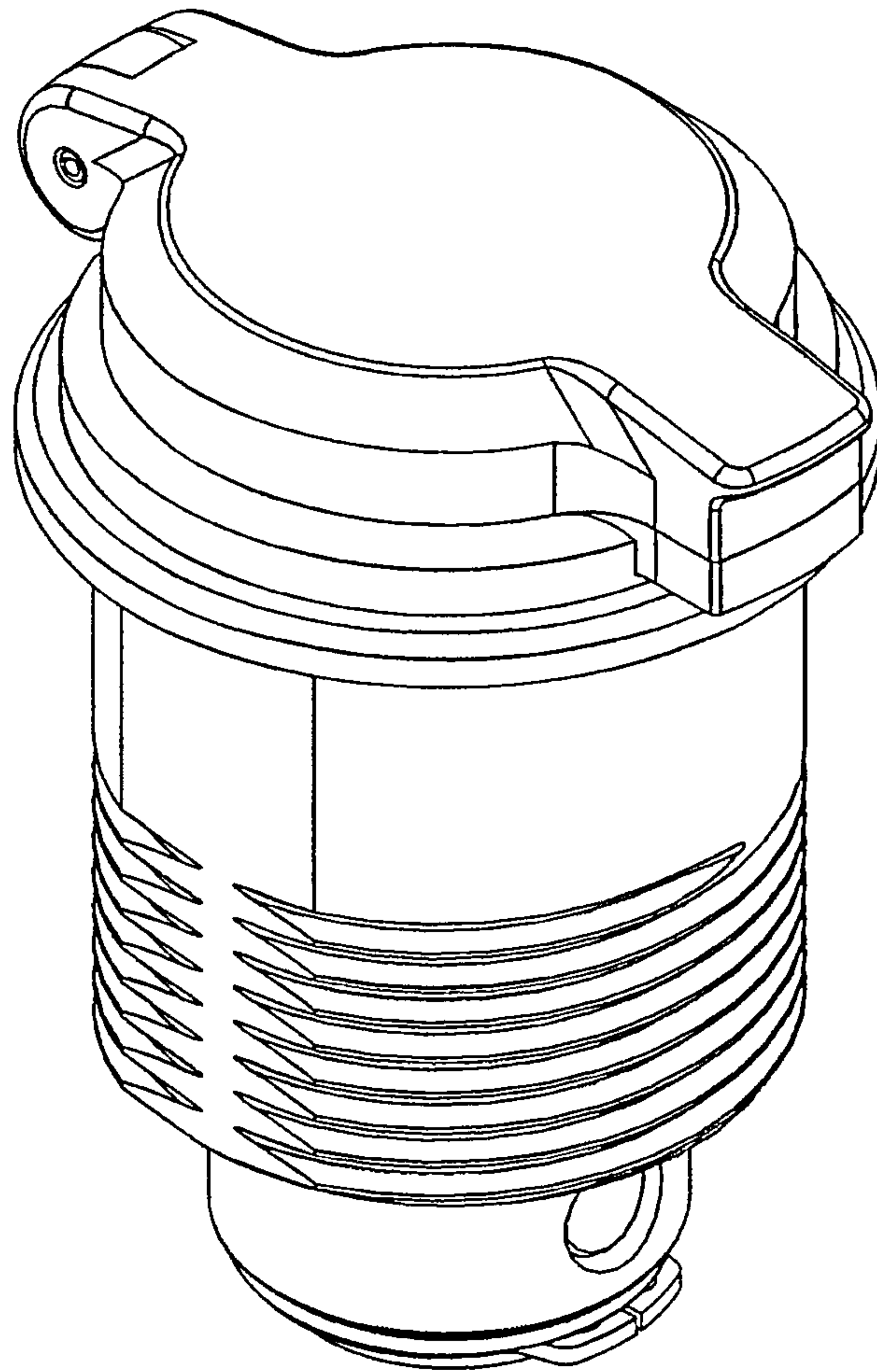


Fig. 1

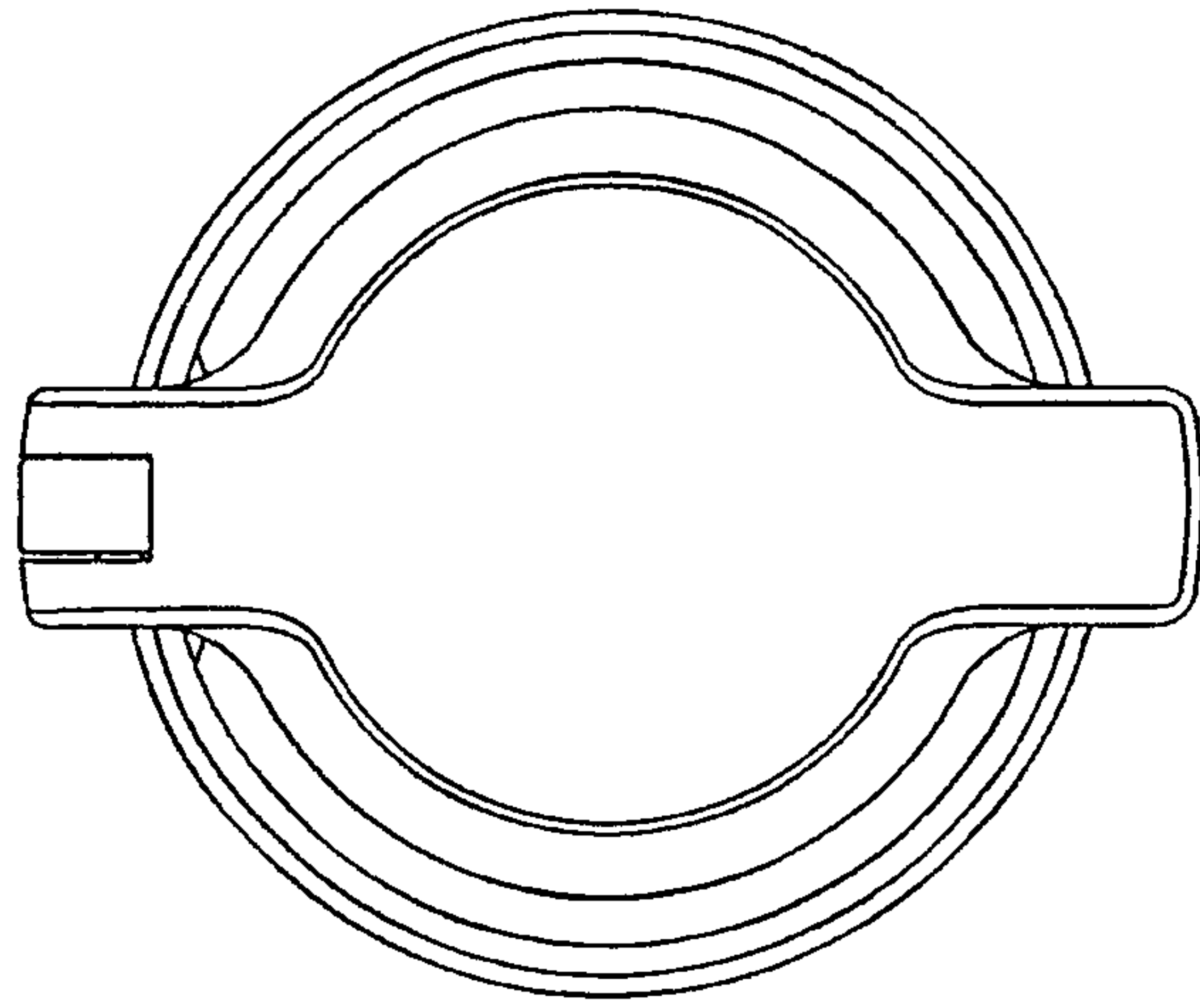


Fig. 2

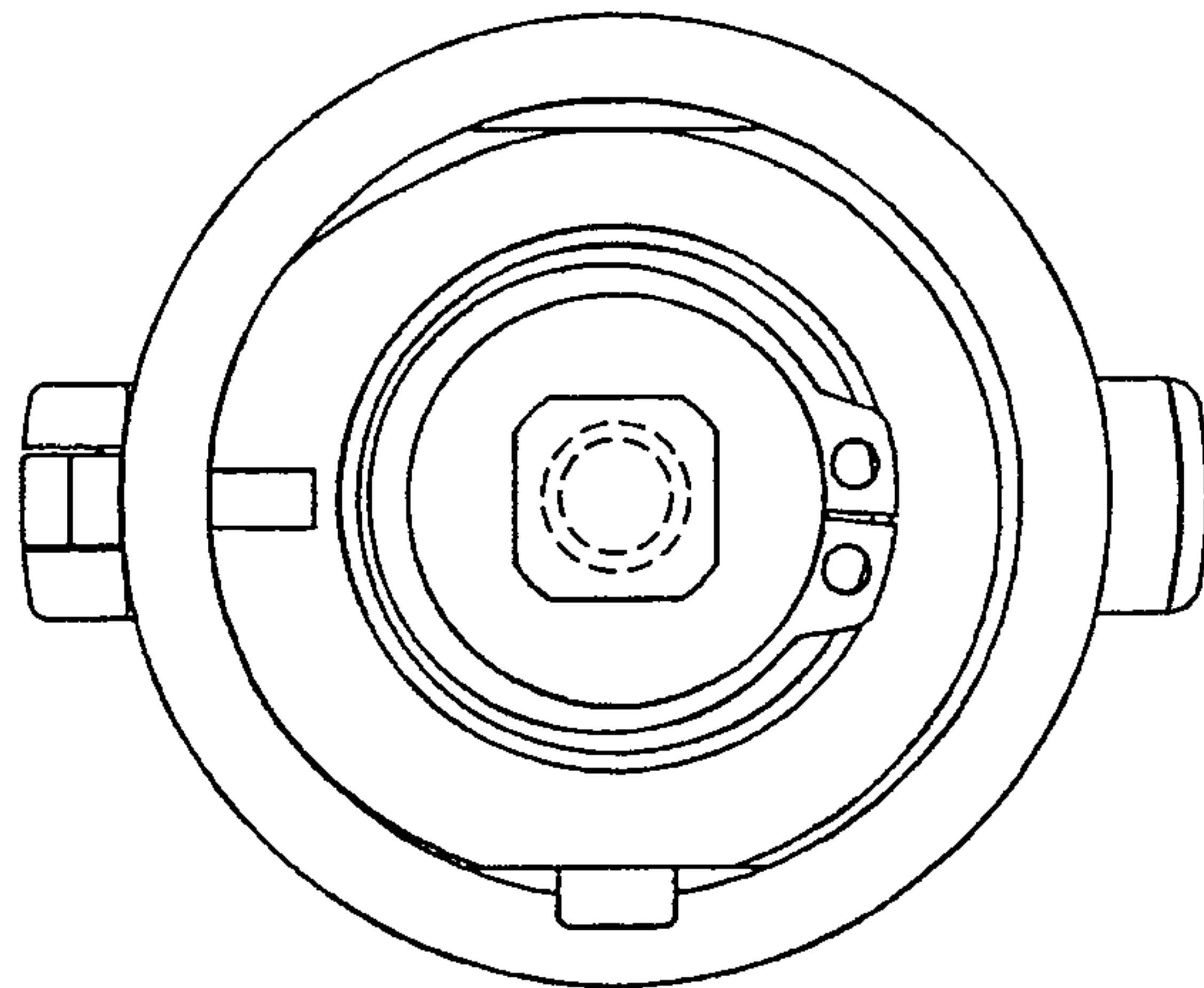


Fig. 3

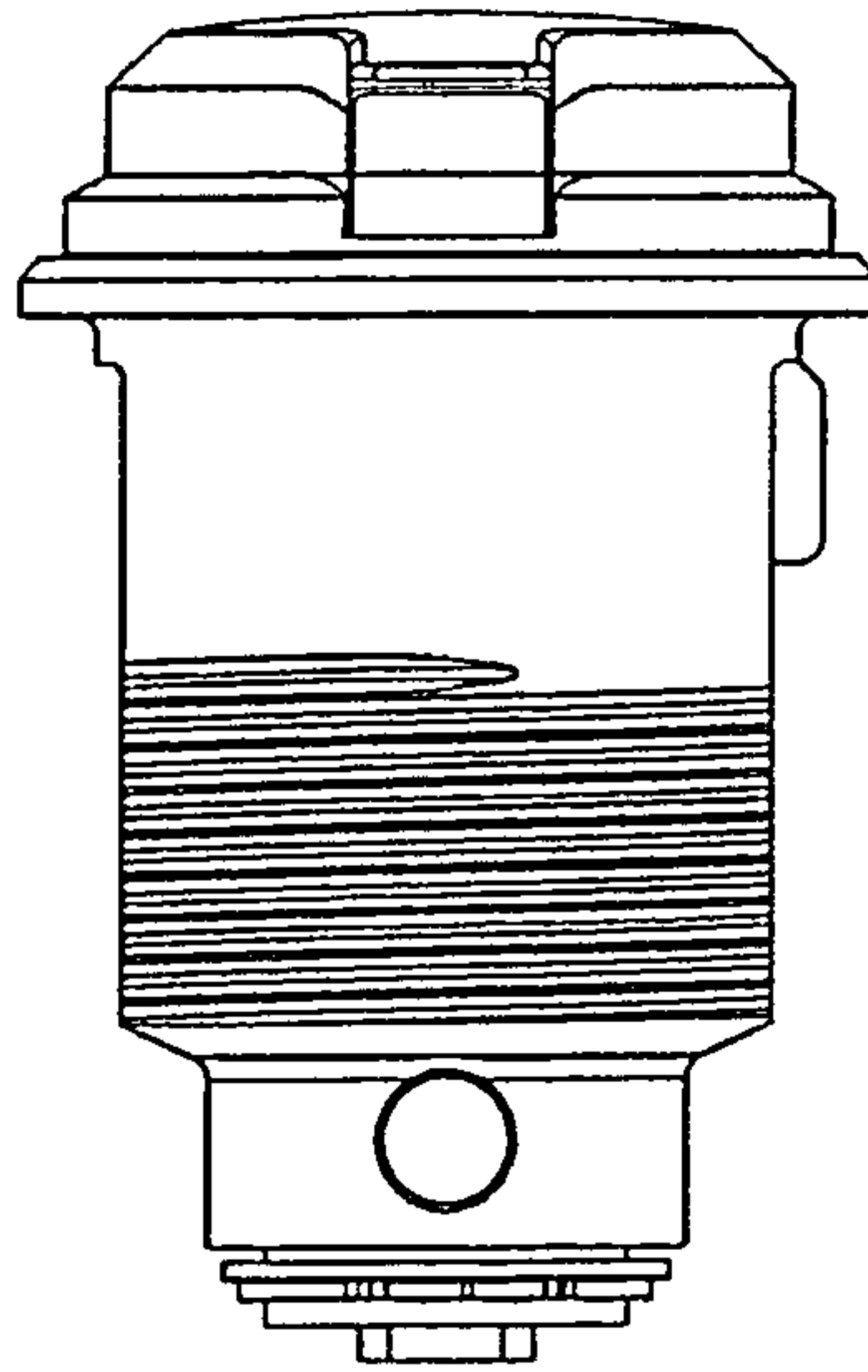


Fig. 4

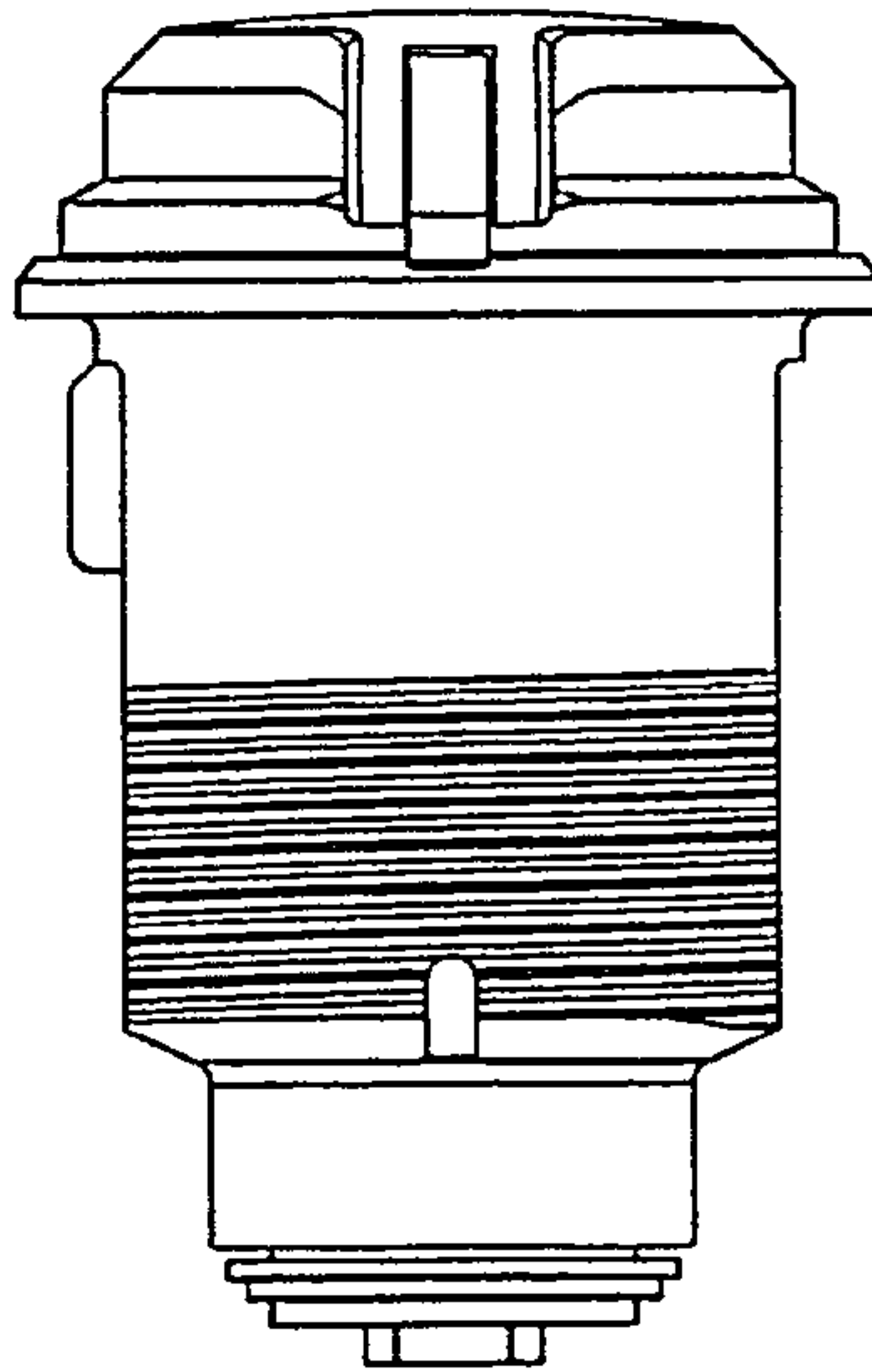


Fig. 5

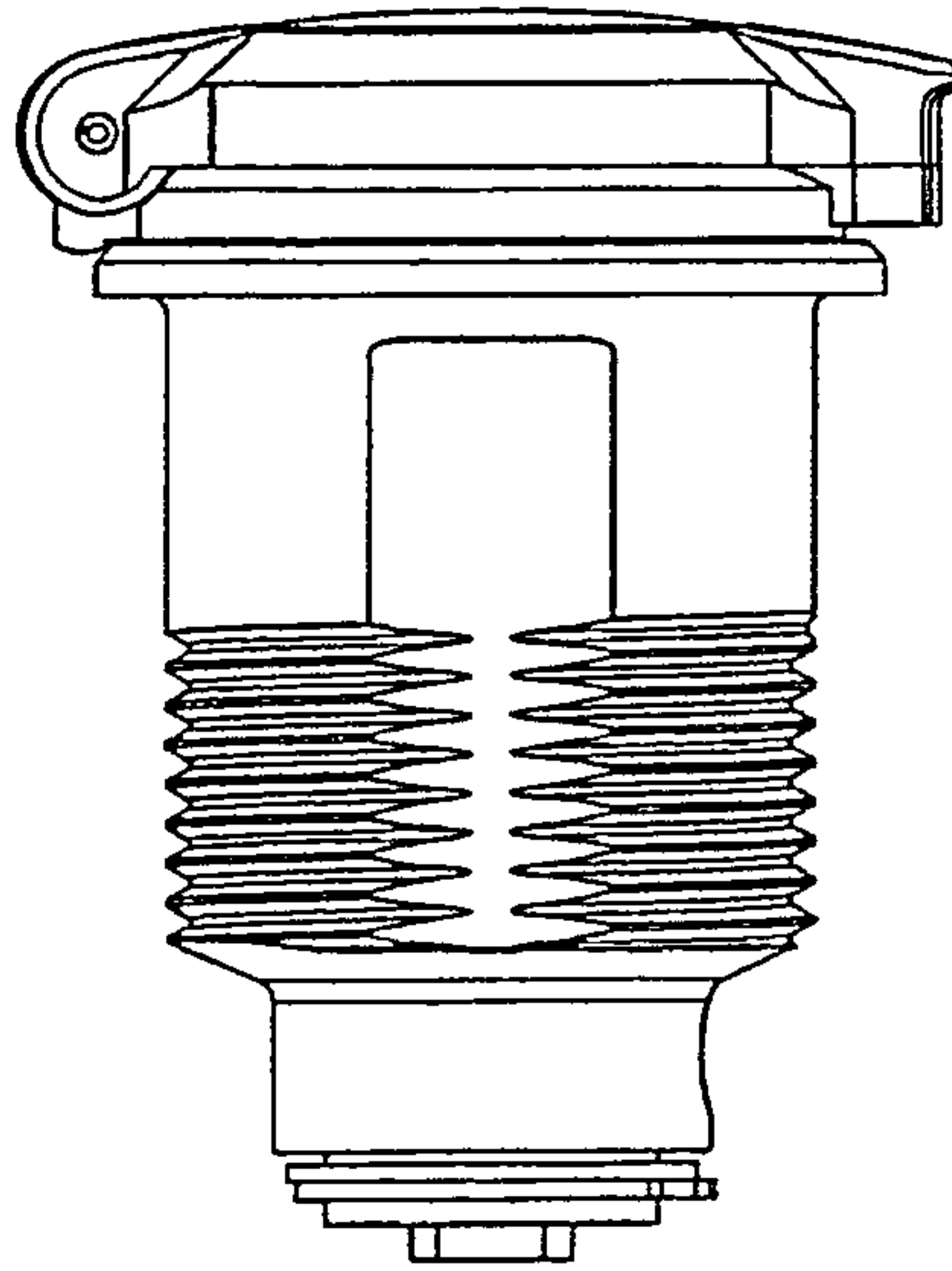


Fig. 6

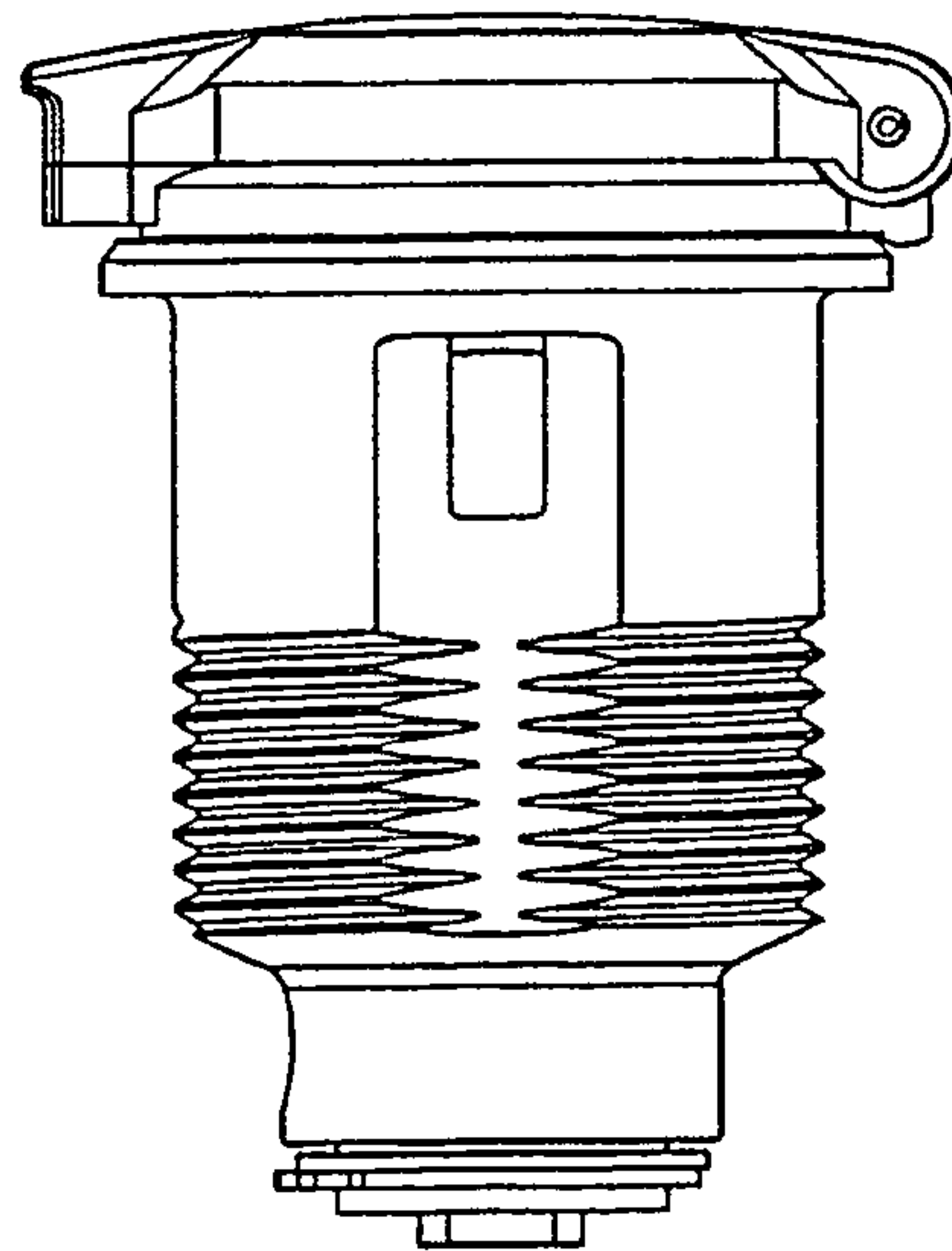


Fig. 7