



US00D747174S

(12) **United States Design Patent**
Owens et al.

(10) **Patent No.:** **US D747,174 S**
(45) **Date of Patent:** **** Jan. 12, 2016**

(54) **ROTOR LOCK**

(71) Applicant: **General Electric Company**,
Schenectady, NY (US)
(72) Inventors: **Steven Owens**, Waterford, PA (US);
Robert Albert Armbruster, Jr., Erie,
PA (US); **Christopher Sheridan**, Erie,
PA (US); **Scott Patrick Leute**,
Waterford, PA (US); **Dennis Richter**,
Fairview, PA (US); **James Samuel**
Bishar, North East, PA (US)
(73) Assignee: **General Electric Company**,
Schenectady, NY (US)

(**) Term: **14 Years**

(21) Appl. No.: **29/508,695**

(22) Filed: **Nov. 10, 2014**

(51) **LOC (10) Cl.** **08-07**

(52) **U.S. Cl.**
USPC **D8/330; D8/343**

(58) **Field of Classification Search**
USPC D8/330, 331, 333, 343, 349, 354, 352,
D8/400, 499; 70/51, 57, 57.1, 177, 199,
70/431; 292/27, 111, 98, 257; 29/888.01,
29/428; 46/160; 123/90.17, 90.16, 90.18,
123/90.44; D14/483, 484
CPC B64C 27/00; B25B 13/00; H01H 27/00;
H01H 27/06; E05B 21/00

See application file for complete search history.

(56) **References Cited**

U.S. PATENT DOCUMENTS

| | | | | | |
|-----------|------|---------|------------|-------|---------------------------|
| 3,617,978 | A * | 11/1971 | Gerstmeier | | H01C 10/32 338/164 |
| 6,240,755 | B1 * | 6/2001 | Da Silva | | E05B 17/186 292/336.3 |
| 6,848,727 | B1 * | 2/2005 | Cetnar | | E05B 81/20 292/201 |
| 6,860,450 | B2 * | 3/2005 | Muylaert | | B64C 27/50 244/17.11 |
| D525,111 | S * | 7/2006 | Farrell | | D8/331 |
| D665,244 | S * | 8/2012 | Weinerman | | D8/330 |
| 8,544,431 | B2 * | 10/2013 | Riley | | F01L 13/0021 123/90.16 |
| D692,743 | S * | 11/2013 | Liu | | D8/331 |
| D706,607 | S * | 6/2014 | Mattson | | D8/330 |
| 8,944,766 | B2 * | 2/2015 | Nielsen | | F03D 1/003 416/169 R |

* cited by examiner

Primary Examiner — Prabhakar Deshmukh

(74) *Attorney, Agent, or Firm* — GE Global Patent
Operation; John A. Kramer

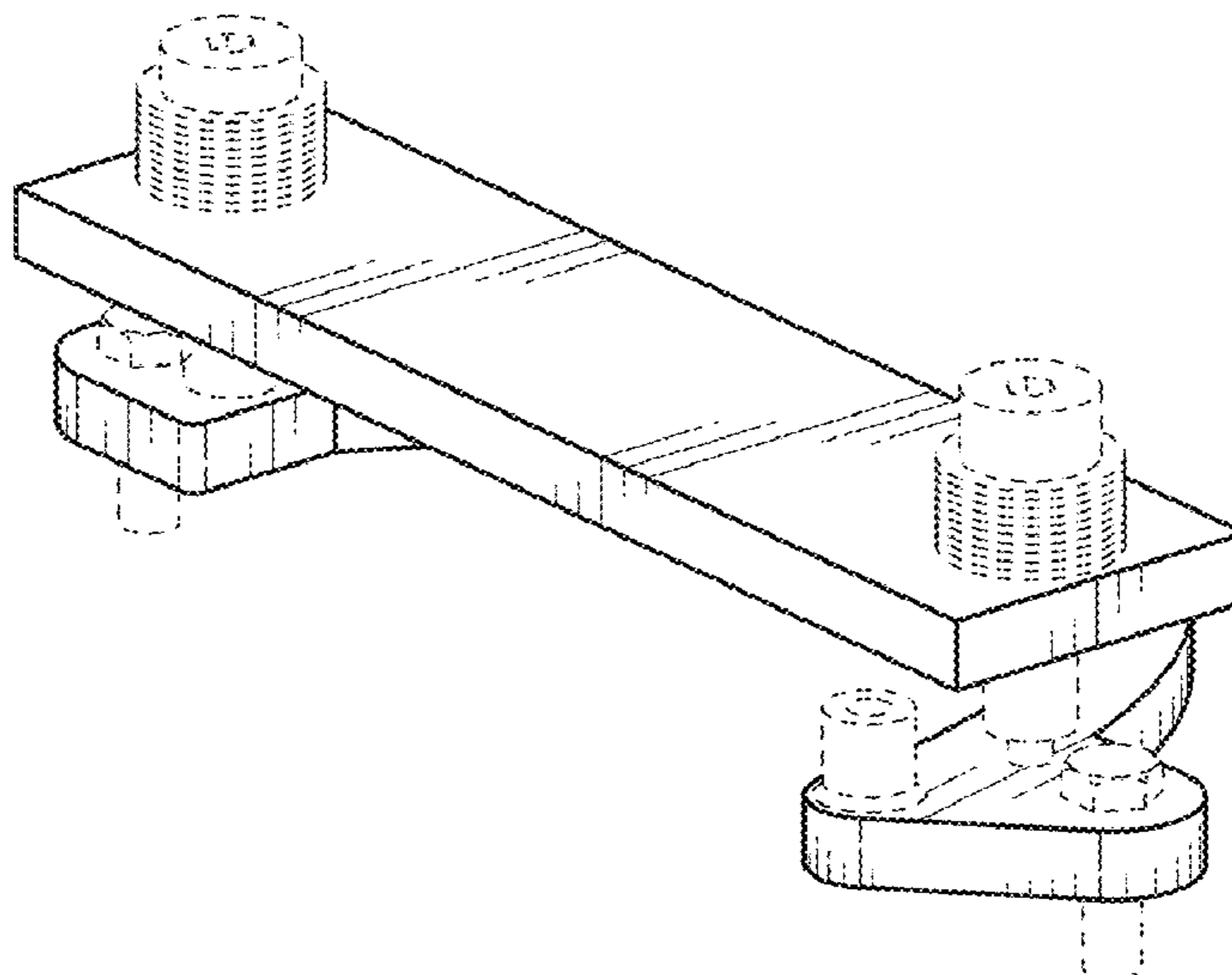
(57) **CLAIM**

The ornamental design for a rotor lock, as shown and
described.

DESCRIPTION

FIG. 1 is a perspective view of a rotor lock showing our new
design;
FIG. 2 is a another perspective view thereof;
FIG. 3 is a top plan view thereof;
FIG. 4 is a bottom plan view thereof;
FIG. 5 is a left side elevational view thereof;
FIG. 6 is a right side elevational view thereof;
FIG. 7 is a front elevational view thereof; and,
FIG. 8 is a rear elevational view thereof.
The broken lines indicate unclaimed portions and form no
part of the claimed design.

1 Claim, 3 Drawing Sheets



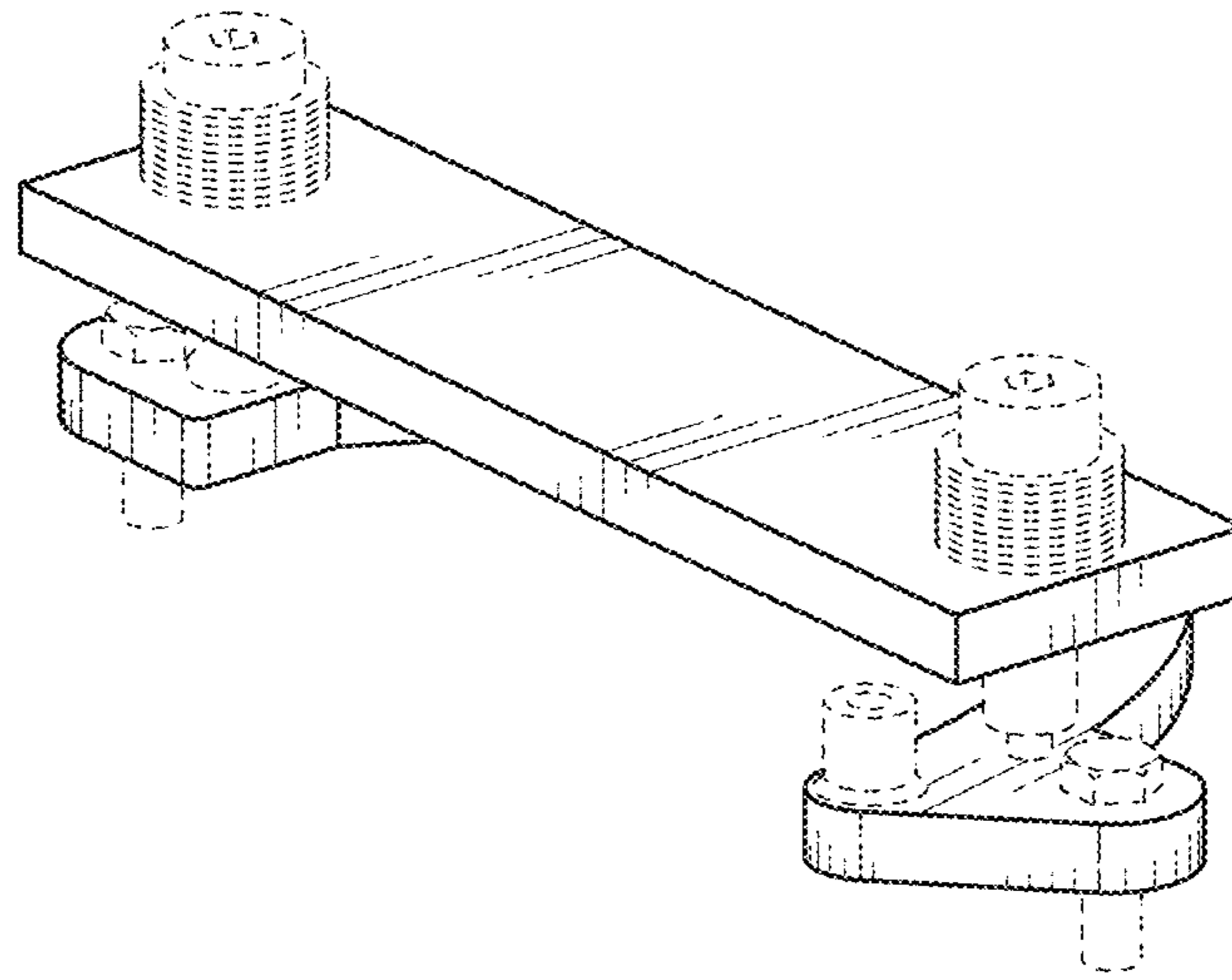


FIG. 1

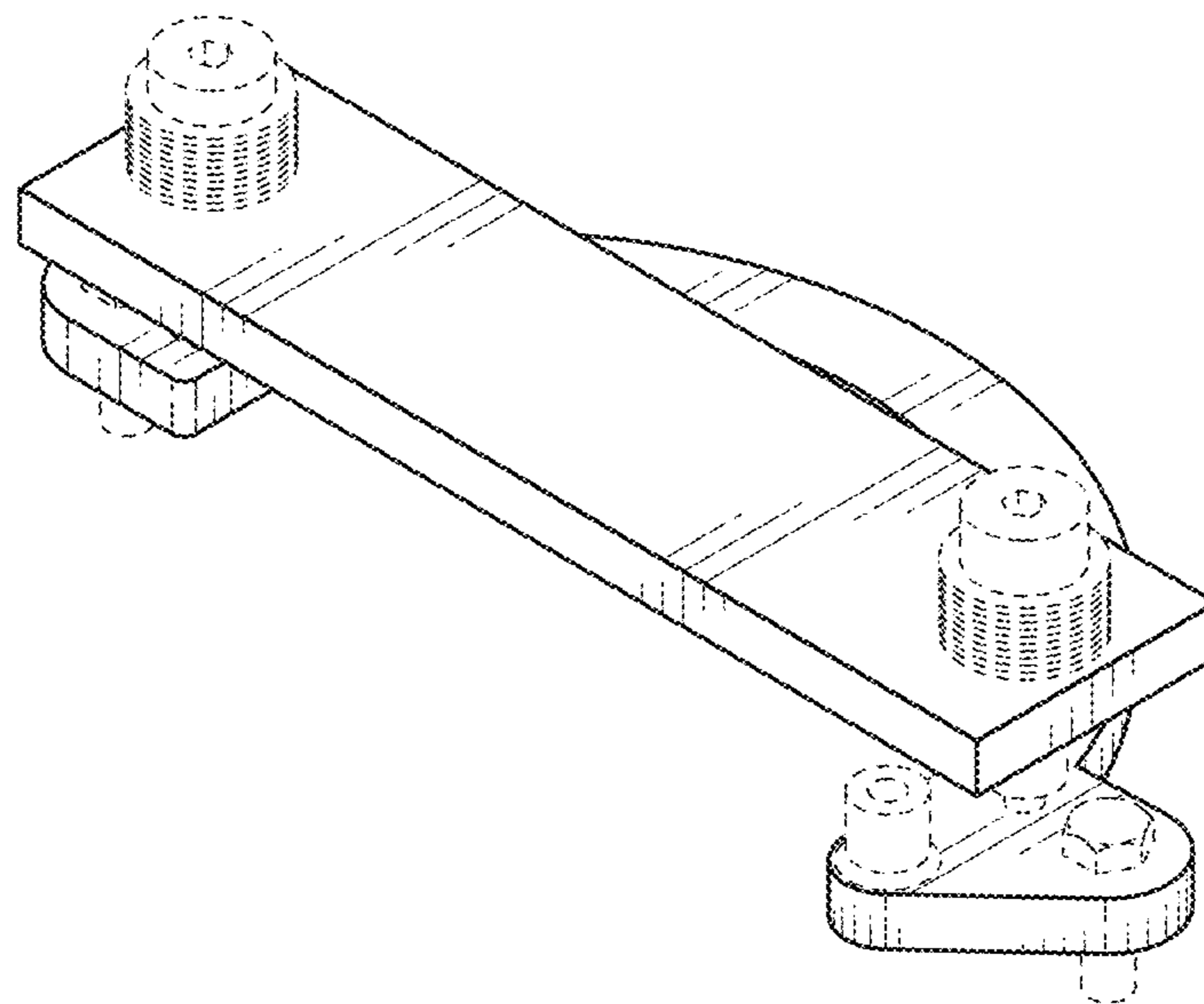


FIG. 2

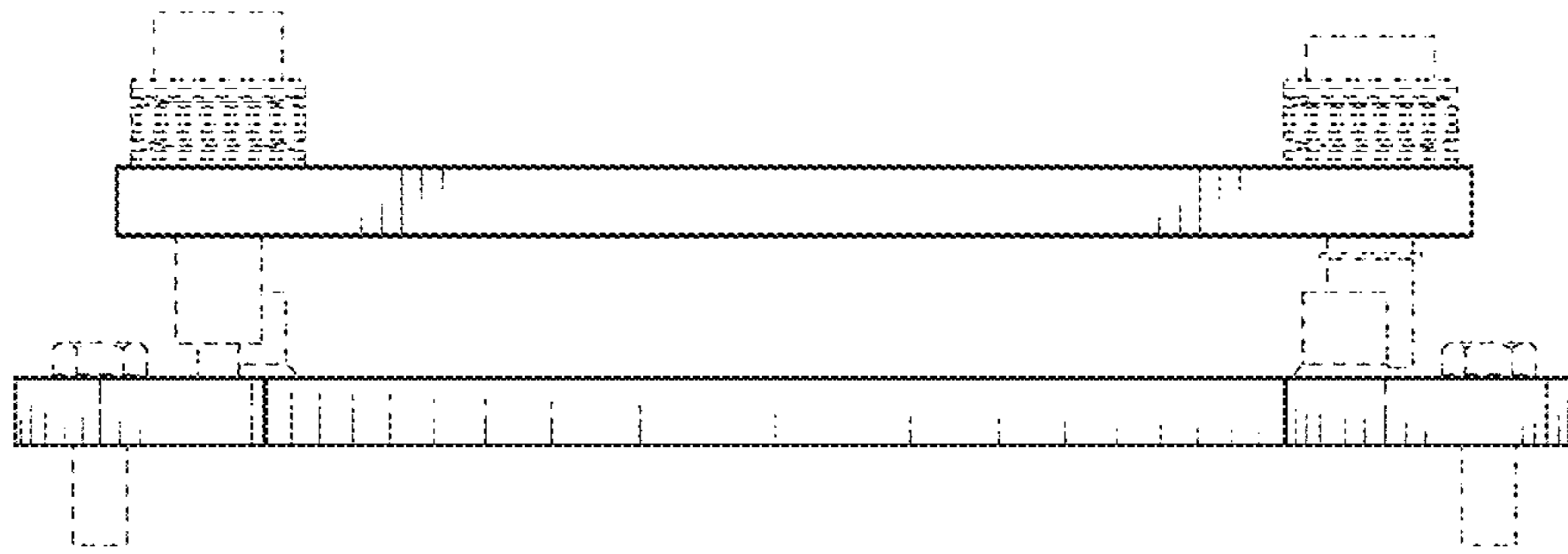


FIG. 3

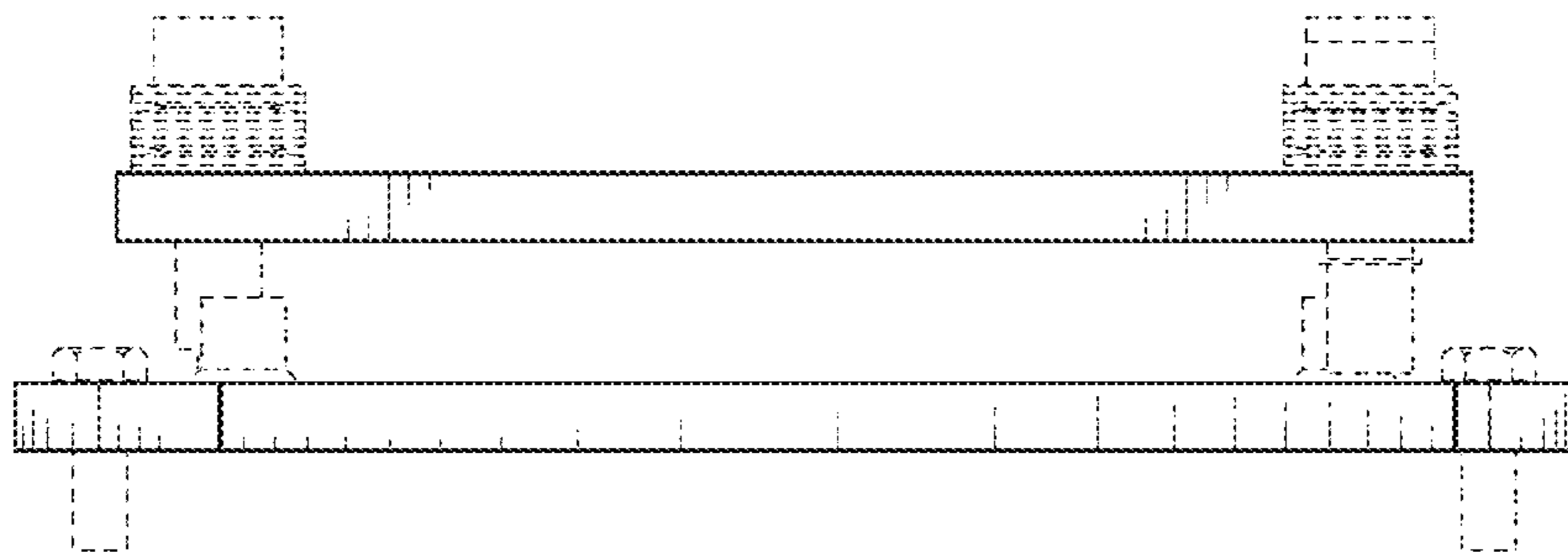


FIG. 4

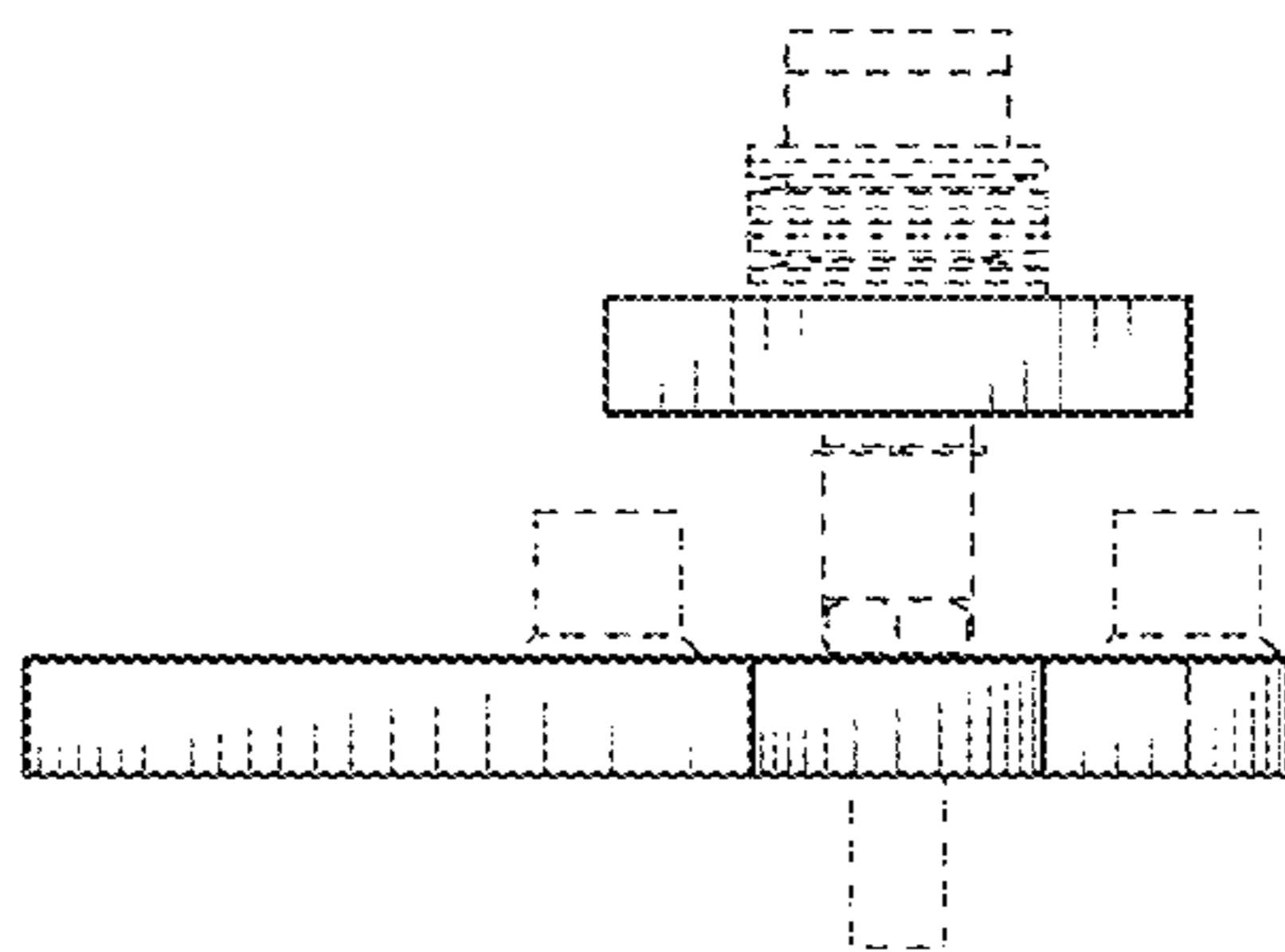


FIG. 5

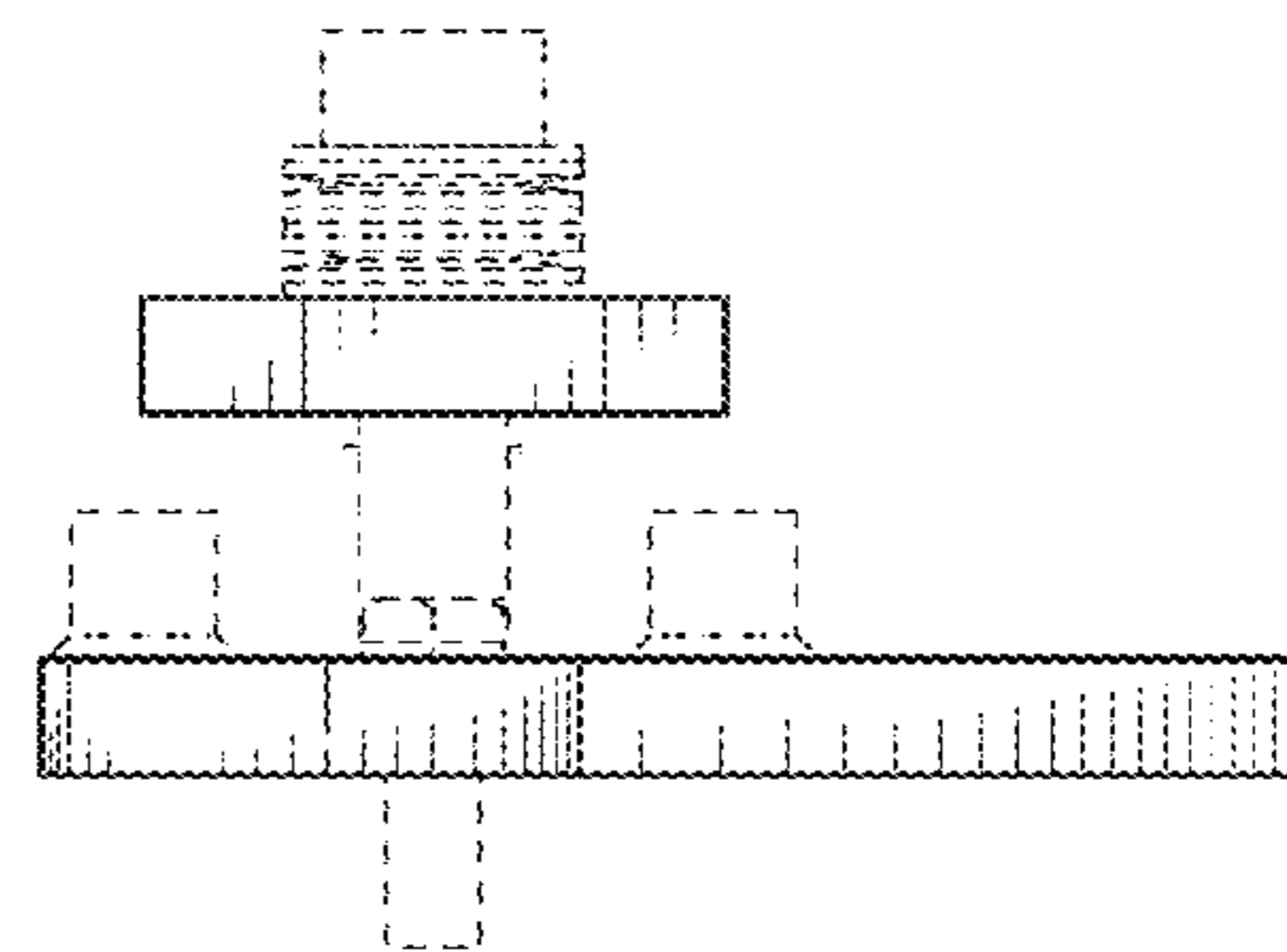


FIG. 6

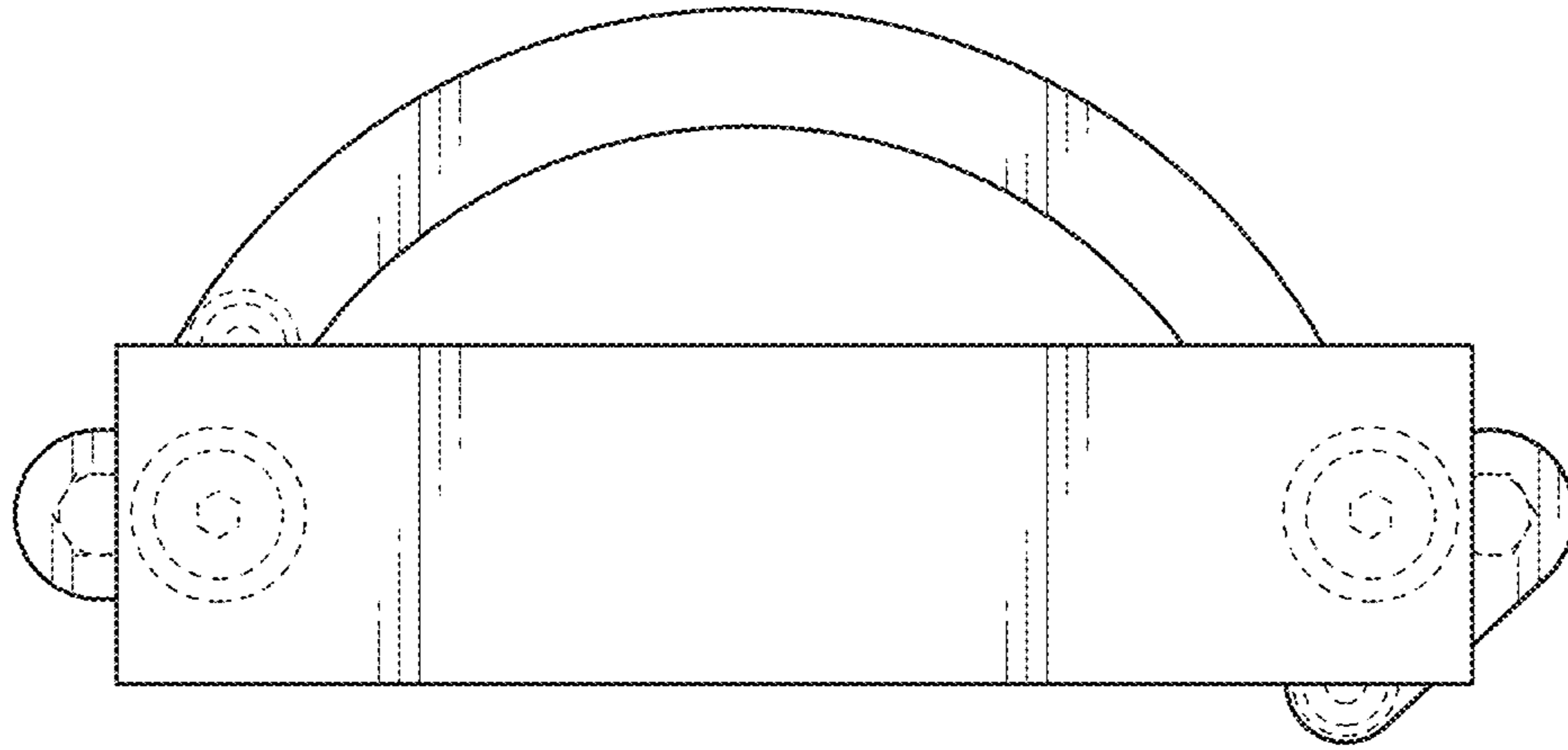


FIG. 7

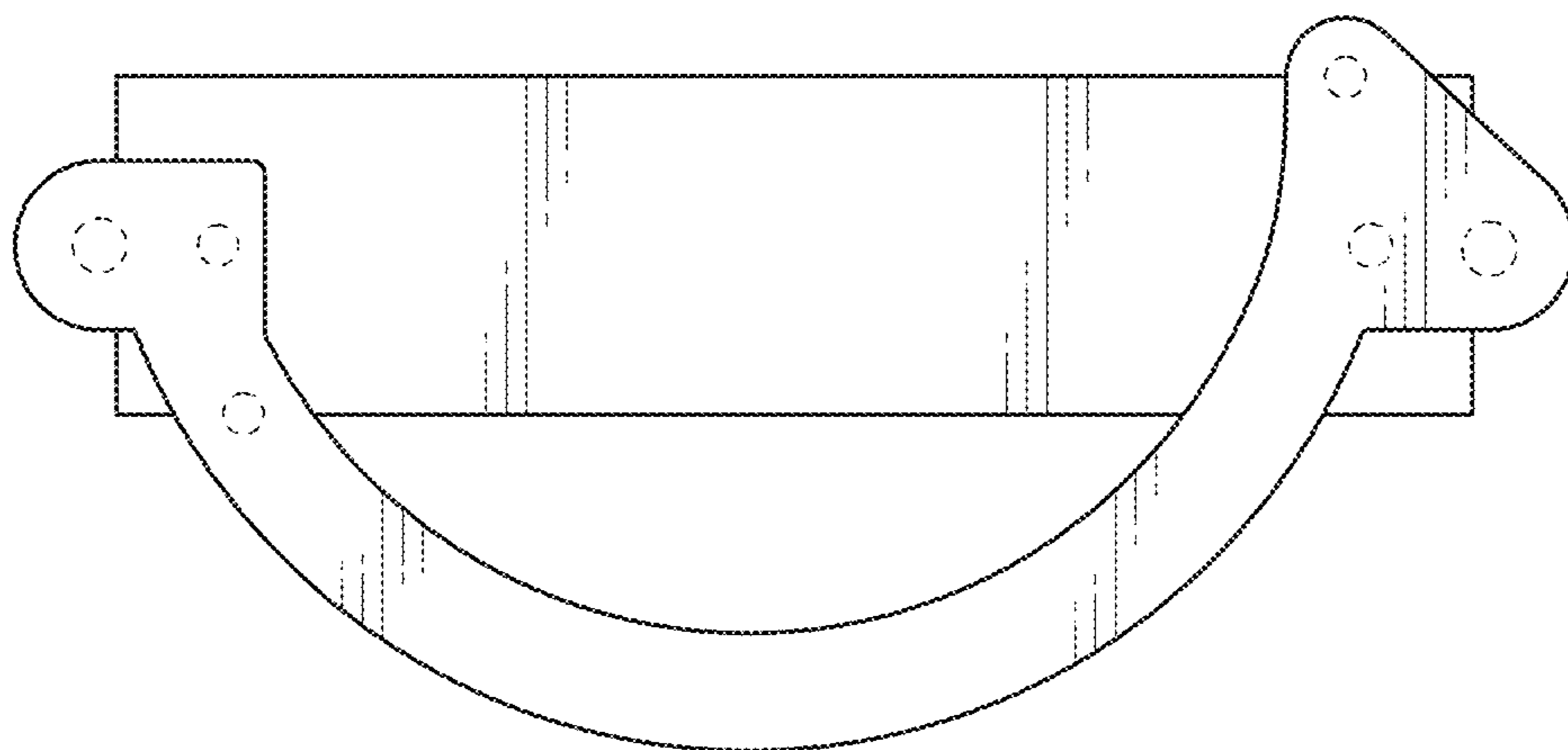


FIG. 8