



US00D747173S

(12) **United States Design Patent**
Gal et al.

(10) **Patent No.:** **US D747,173 S**
(45) **Date of Patent:** **** Jan. 12, 2016**

(54) **HINGE PIN JOINT**

(56) **References Cited**

(71) Applicant: **A.D. Integrity Applications Ltd.**,
Ashkelon (IL)

U.S. PATENT DOCUMENTS

D289,888 S * 5/1987 Bardeau D8/323
D616,282 S * 5/2010 Cosby et al. D8/323

(72) Inventors: **Avner Gal**, Hertzeliya (IL); **David Malka**, Rehovot (IL); **Vladimir Ravitch**, Ashkelon (IL); **Alexander Klionsky**, Ashdod (IL); **Vitaly Bondar**, Ashdod (IL)

(Continued)

FOREIGN PATENT DOCUMENTS

CN 302688830 S 12/2013
EM 002216028-0001 A 7/2013

(Continued)

(73) Assignee: **A.D. Integrity Applications Ltd.**,
Ashkelon (IL)

OTHER PUBLICATIONS

(**) Term: **14 Years**

Search Report for Taiwanese Patent Application No. 102305953 dated Jan. 5, 2015.

(Continued)

(21) Appl. No.: **29/459,332**

(22) Filed: **Jun. 28, 2013**

Primary Examiner — Wan Laymon
Assistant Examiner — Mark Booker

(30) **Foreign Application Priority Data**

(74) *Attorney, Agent, or Firm* — Wiggin and Dana LLP;
Gregory S. Rosenblatt

Mar. 12, 2013 (IL) 53821

(51) **LOC (10) Cl.** **08-06**

(57) **CLAIM**

The ornamental design for a hinge pin joint, as shown and described.

(52) **U.S. Cl.**

DESCRIPTION

USPC **D8/323**

(58) **Field of Classification Search**

USPC D8/323, 325, 327, 328, 329, 346, 403,
D8/499; 4/236, 240; 16/221, 225, 250,
16/682, 309, 235, 275, 244, 379, 390, 430,
16/241, 238, 245, 236, 243, 242, 385, 331,
16/274

FIG. 1 is a top perspective view showing a hinge pin joint design;

FIG. 2 is a bottom perspective view showing the hinge pin joint design;

FIG. 3 is a front view showing the hinge pin joint design;

FIG. 4 is a back view showing the hinge pin joint design;

FIG. 5 is a top view showing the hinge pin joint design;

FIG. 6 is a bottom view showing the hinge pin joint design;

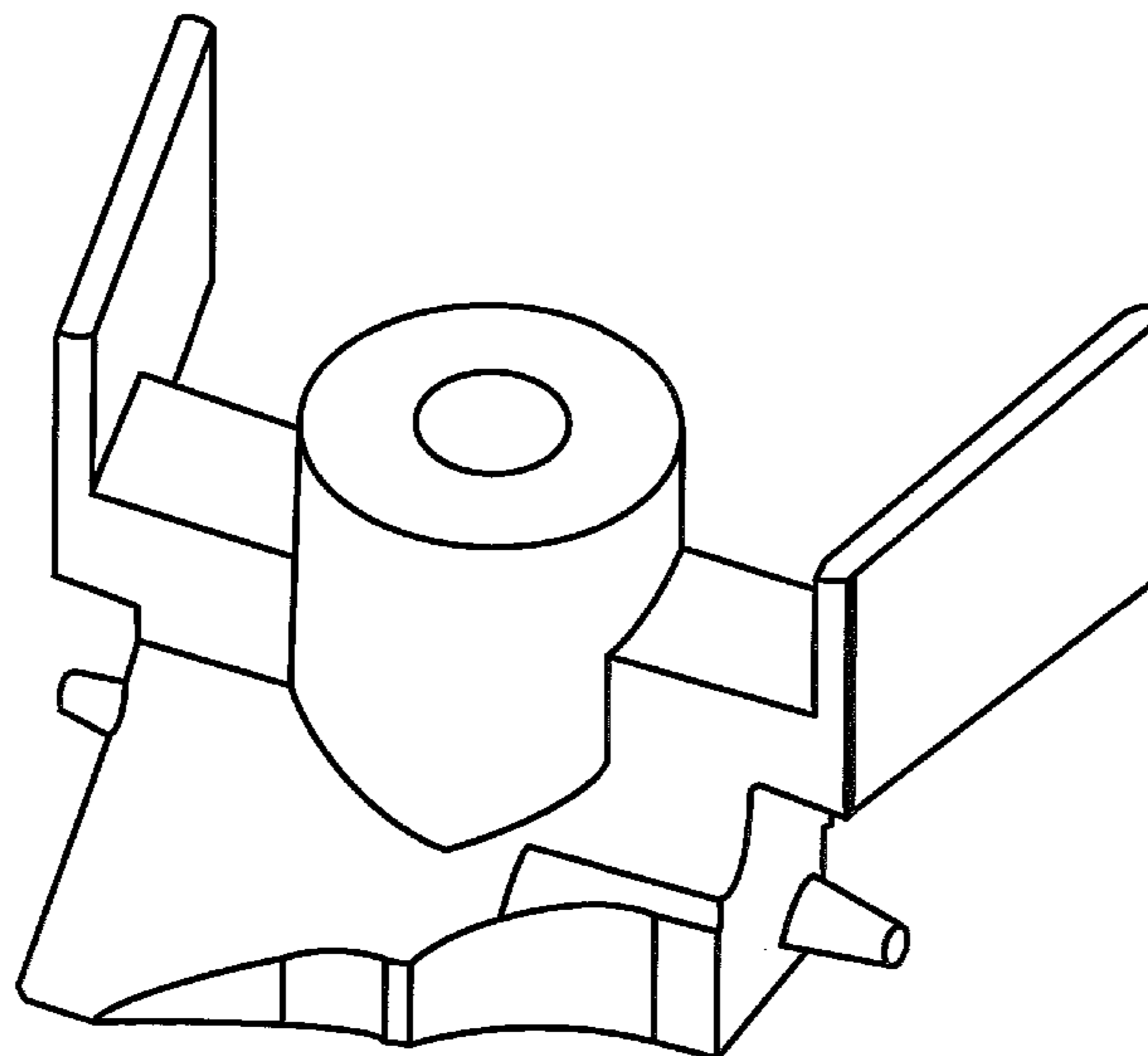
FIG. 7 is a right view showing the hinge pin joint design; and,

FIG. 8 is a left view showing the hinge pin joint design.

CPC Y10T 16/00; Y10T 16/52; Y10T 16/521;
Y10T 16/522; Y10T 16/5275; Y10T 16/528;
Y10T 16/532; Y10T 16/53247; Y10T
16/54056; Y10T 16/551

See application file for complete search history.

1 Claim, 8 Drawing Sheets



(56)

References Cited

OTHER PUBLICATIONS

U.S. PATENT DOCUMENTS

D637,060	S	*	5/2011	Mitchell et al.	D8/323
D644,499	S	*	9/2011	Herglotz et al.	D8/327
D658,031	S	*	4/2012	Mitchell et al.	D8/323
D707,099	S	*	6/2014	Nicholson	D8/323
D719,809	S	*	12/2014	Mitchell et al.	D8/323
D725,989	S	*	4/2015	Gompper	D8/323

FOREIGN PATENT DOCUMENTS

EM	002216028-0002	A	7/2013
TW	M314788		7/2007
TW	M333461		6/2008
TW	D129669		7/2009

Notice of Allowance for Taiwanese Patent Application No. 102305953 dated Jan. 27, 2015.

CN 201330108244.8, Notification to Grant Patent Right for Design, The State Intellectual Property Office of China, Jan. 20, 2014.

PH 3/2013/001024, Notice of Publication, Intellectual Property Office of the Philippines, Jan. 15, 2014.

CN 2013102200086650, Notification to Go Through Formalities Registration; The State Intellectual Property Office of China; Applicant—A.D. Integrity Applications Ltd., Oct. 25, 2013.

* cited by examiner

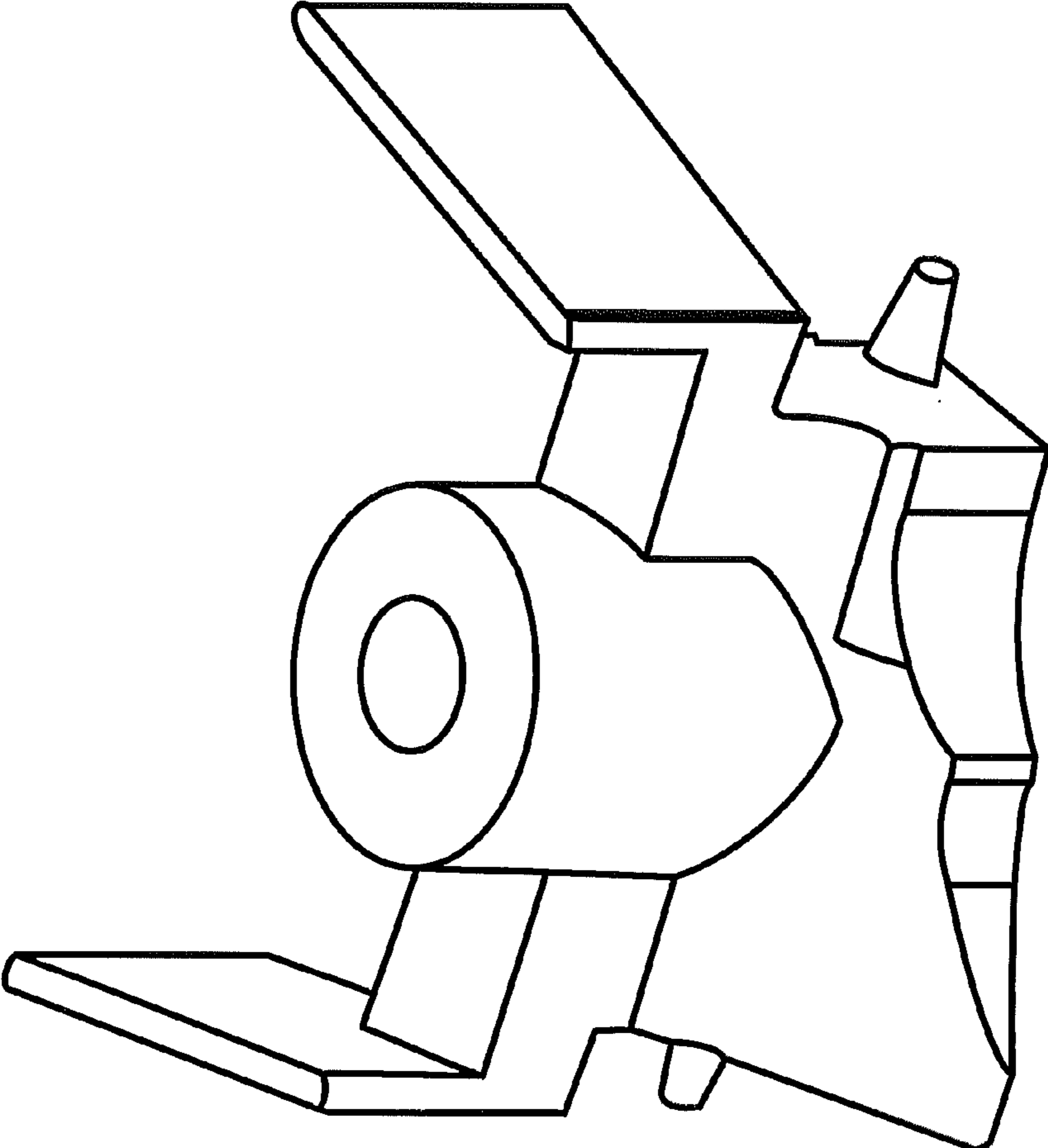


Fig. 1

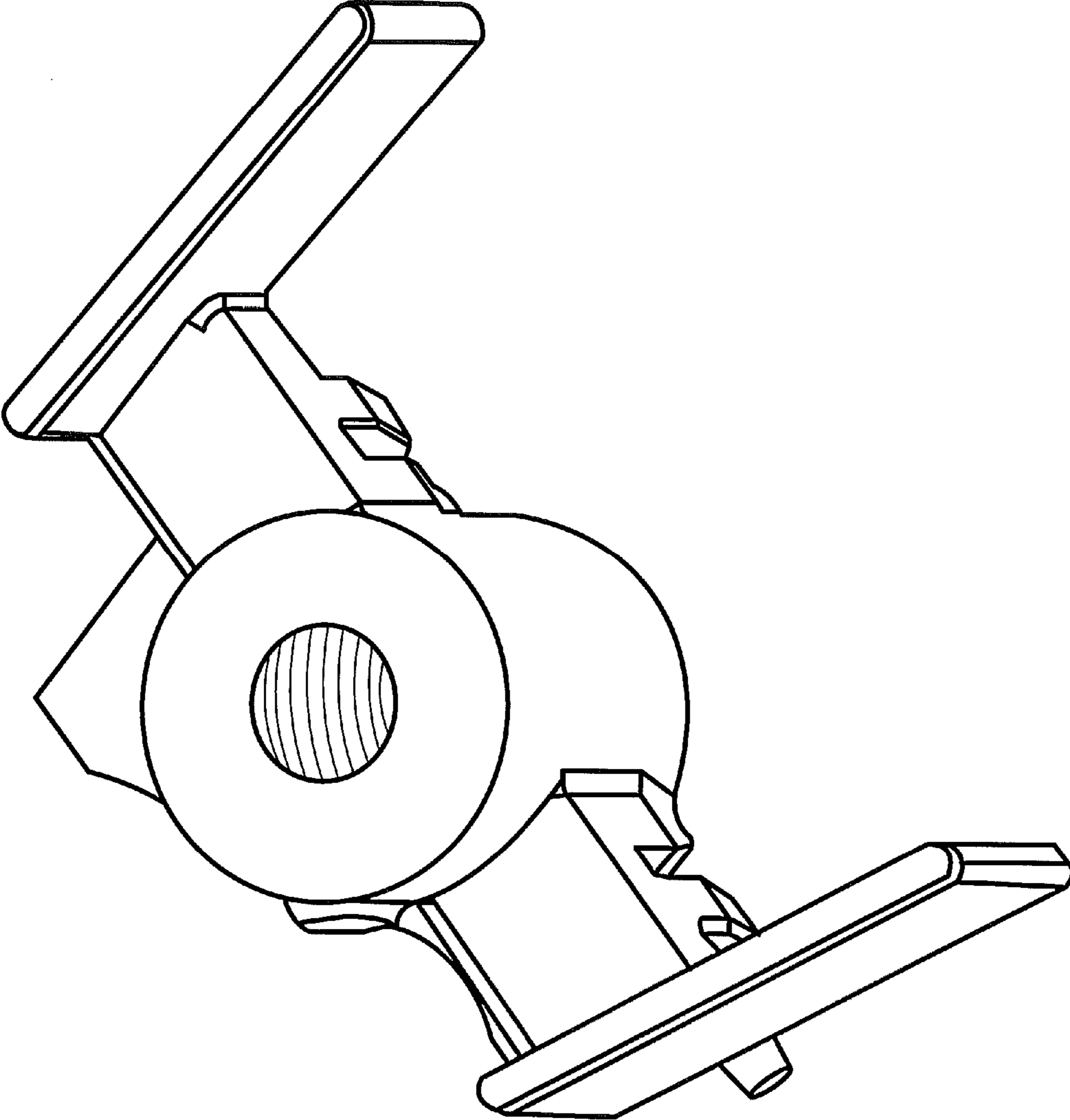


Fig. 2

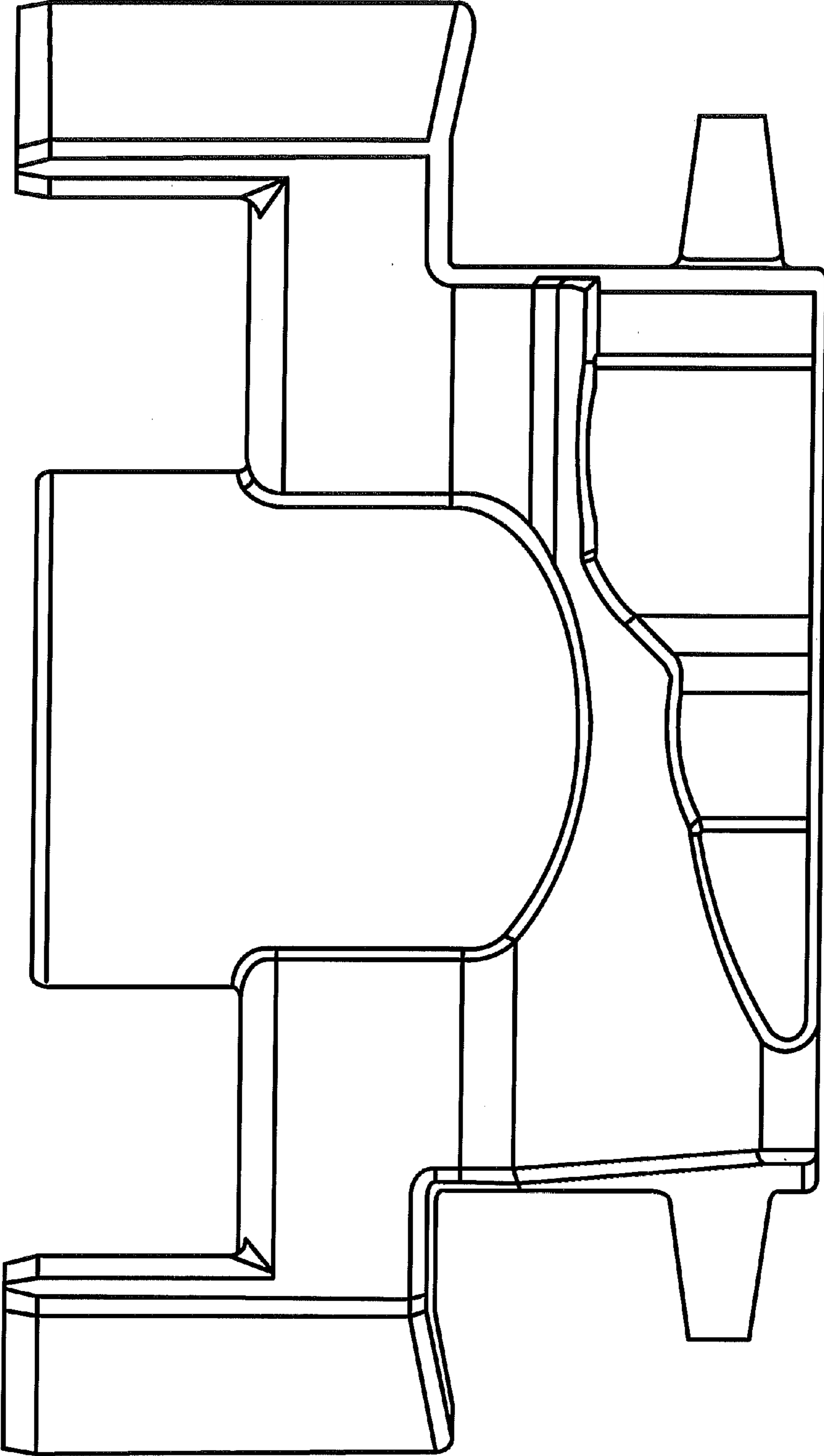


Fig. 3

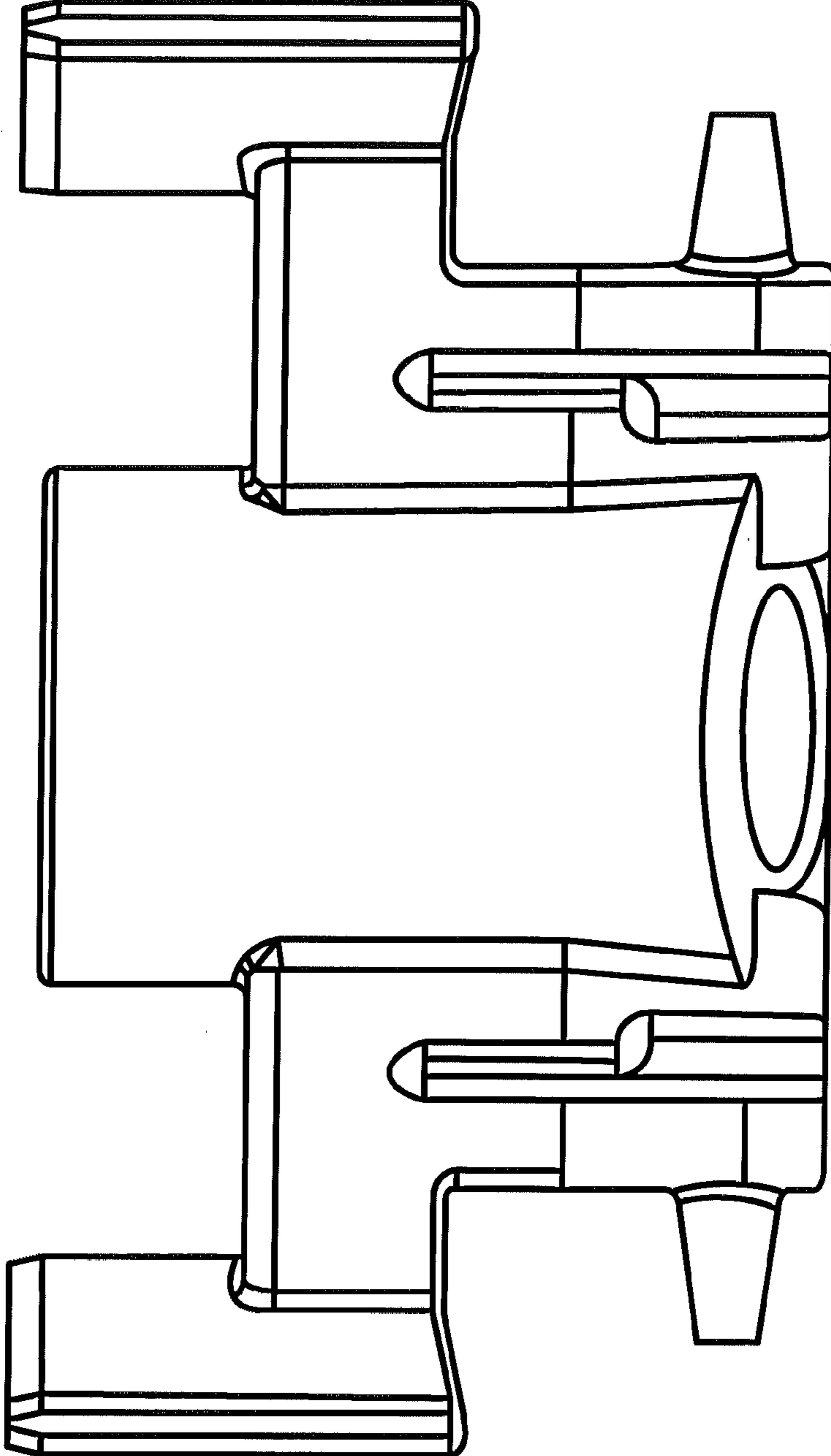


Fig. 4

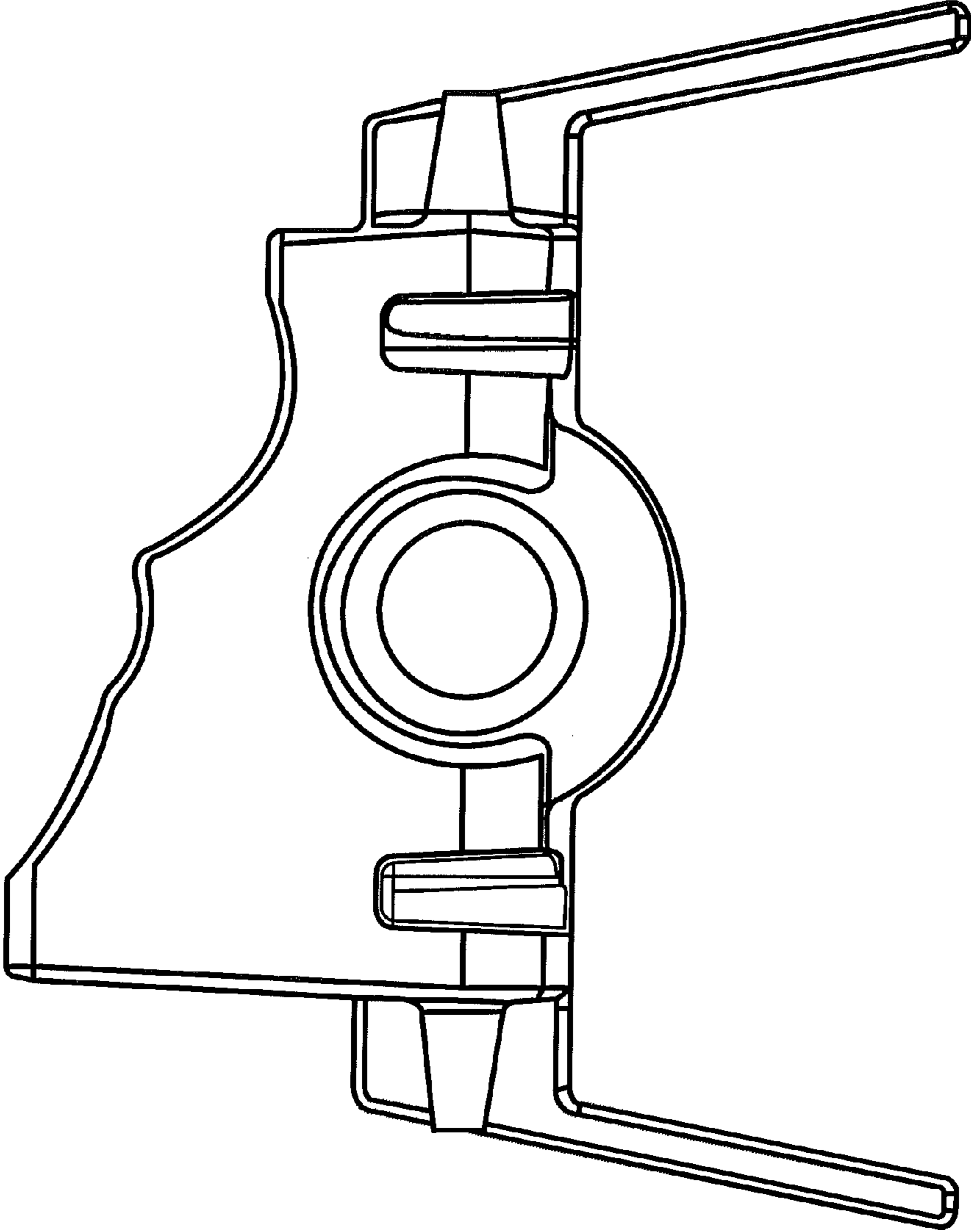


Fig. 5

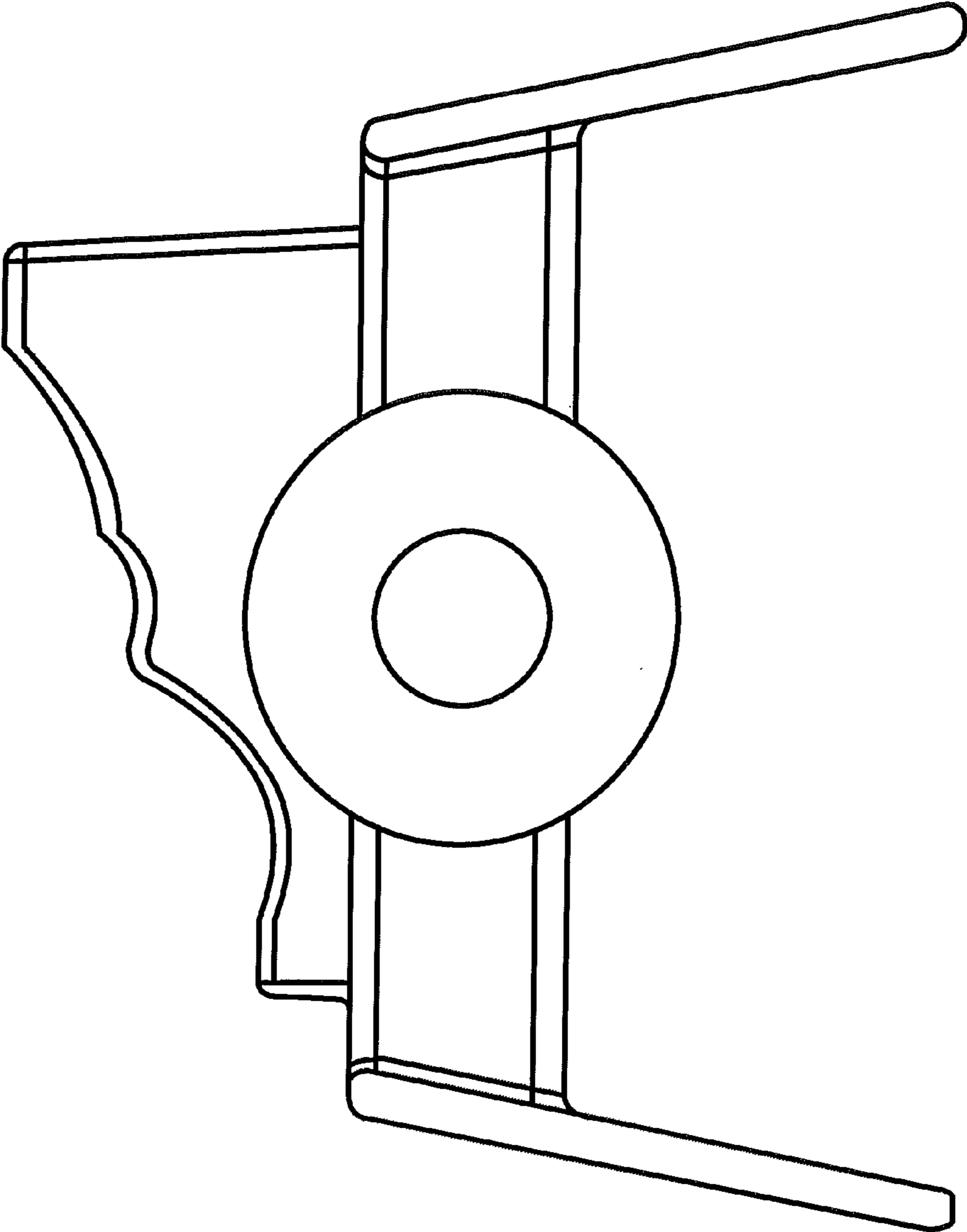


Fig. 6

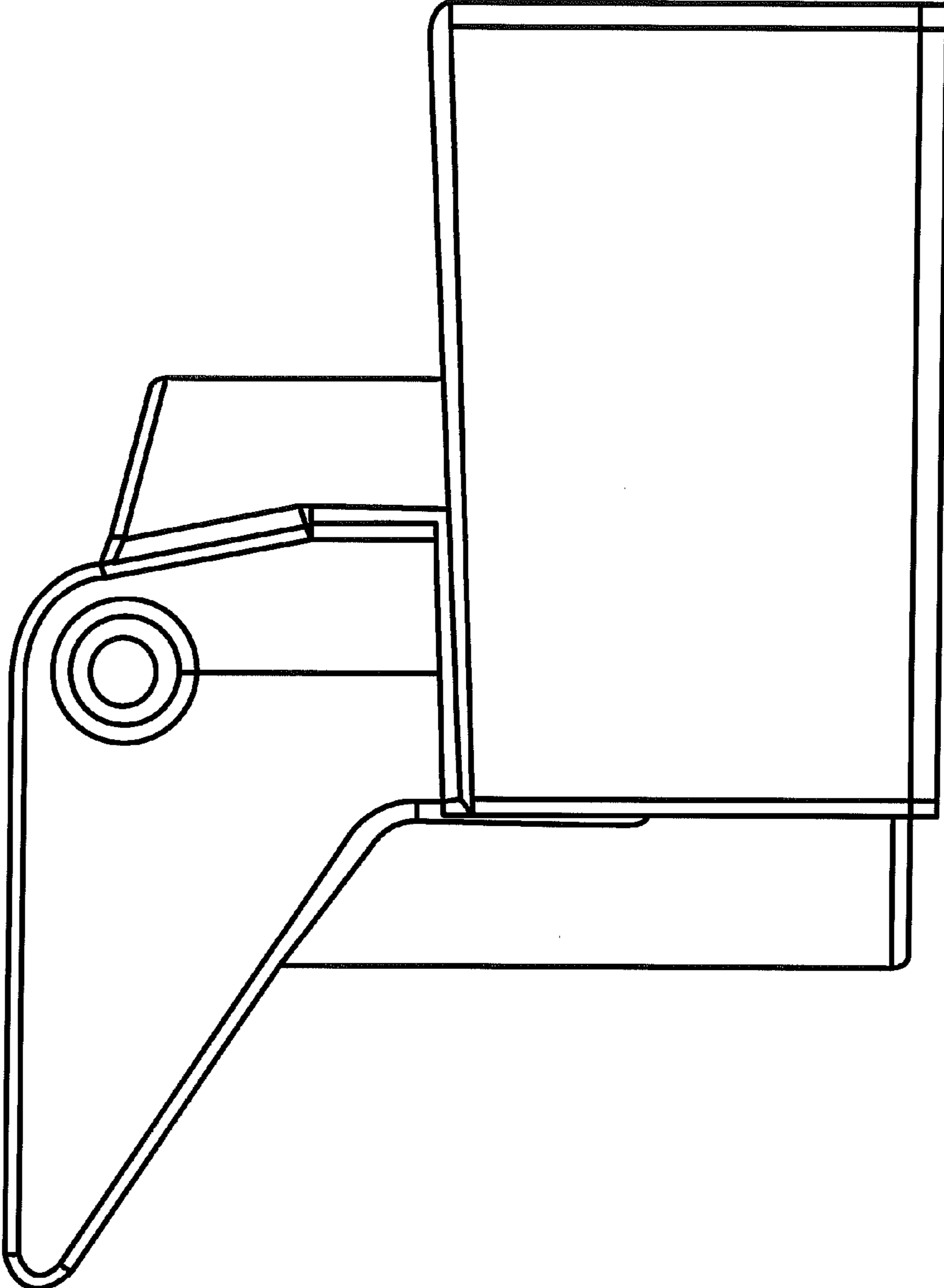


Fig. 7

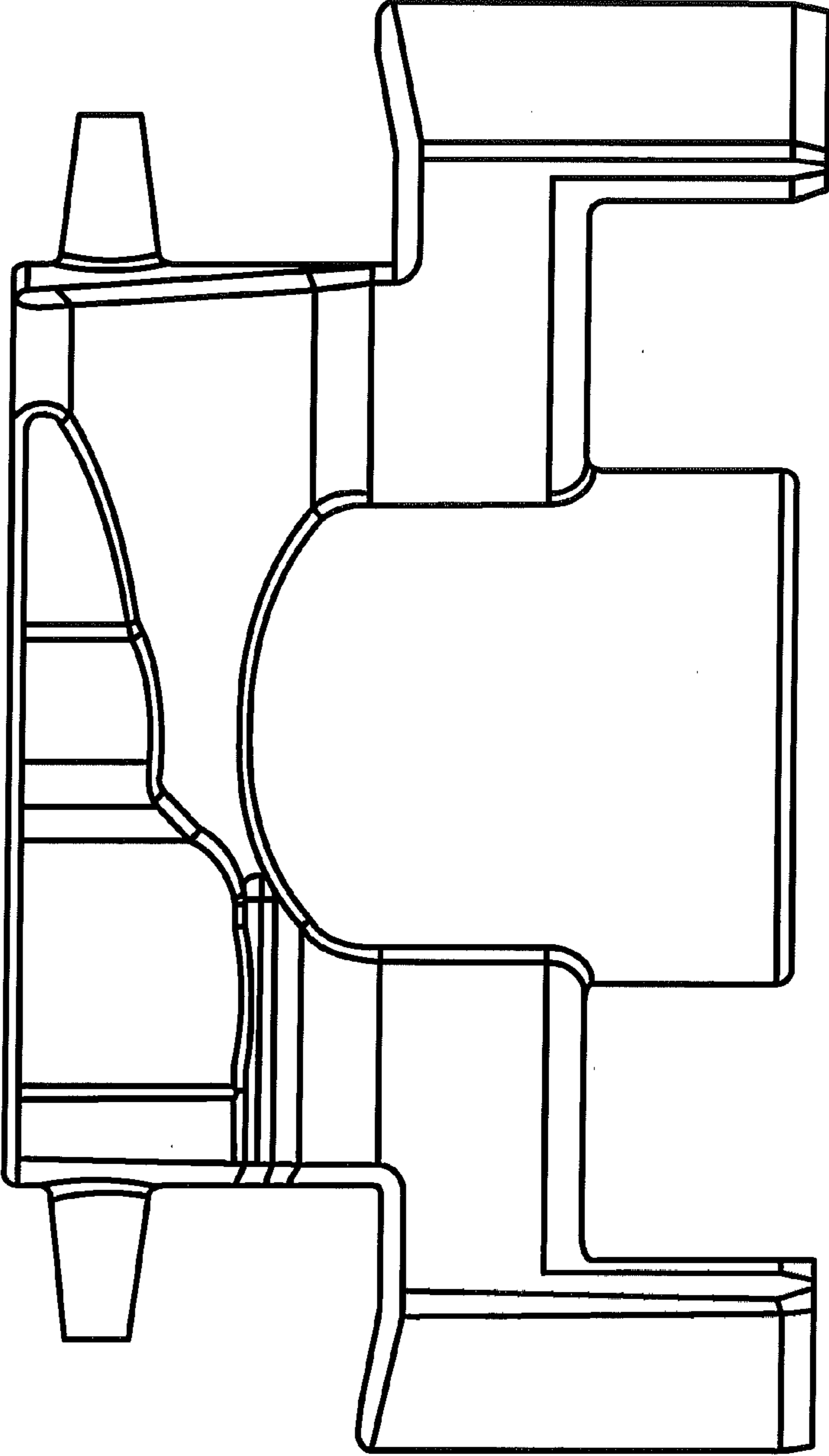


Fig. 8