



US00D747171S

(12) **United States Design Patent**
Linares

(10) **Patent No.:** **US D747,171 S**
(45) **Date of Patent:** **** Jan. 12, 2016**

(54) **HANDLE FOR DOORS AND COVERS**

(71) Applicant: **ApexOEM, Inc.**, Fullerton, CA (US)

(72) Inventor: **Rodolfo Linares**, Whittier, CA (US)

(73) Assignee: **ApexOEM Inc**, Fullerton, CA (US)

(**) Term: **14 Years**

(21) Appl. No.: **29/491,972**

(22) Filed: **May 27, 2014**

(51) **LOC (10) Cl.** **08-06**

(52) **U.S. Cl.**
USPC **D8/315**

(58) **Field of Classification Search**
USPC D8/300, 315–320, DIG. 1; D23/250,
D23/254, 303–305; D99/11; D6/546, 549;
D7/393, 394, 402; 211/16; 16/110.1,
16/412, 413, 415, 419, 422, 424, 425,
16/DIG. 19; D15/89; D3/318, 328; 70/208,
70/210

CPC Y10T 16/469; Y10T 16/44; Y10T 16/458;
Y10T 16/498; Y10T 16/476; Y10T 16/459;
Y10T 16/466; Y10T 16/4713; Y10T 16/4644;
Y10T 16/513; Y10T 16/509; Y10T 16/473;
Y10T 16/462; Y10T 16/4701; Y10T
74/20732; Y10T 29/49826; Y10T 16/4719;
Y10T 16/455; Y10T 16/4559; Y10T
74/20828; Y10T 74/20738; Y10T 74/20762;
Y10T 16/4628; Y10T 74/50864; Y10T
16/4567; Y10T 16/4576; Y10T 16/501;
Y10T 16/86

See application file for complete search history.

(56) **References Cited**

U.S. PATENT DOCUMENTS

1,624,051	A *	4/1927	Hansen	403/247
D188,042	S *	5/1960	Craig	D8/302
D198,600	S *	7/1964	Burnett	D16/246
D393,406	S *	4/1998	Finkelstein	D8/320
D428,322	S *	7/2000	Munch et al.	D8/302
D460,678	S *	7/2002	Foster	D8/331
6,668,602	B2 *	12/2003	Graham et al.	70/208
D512,626	S *	12/2005	Elwell et al.	D8/315
D629,276	S *	12/2010	Chelton	D8/302
2006/0282987	A1 *	12/2006	Shih et al.	16/412
2014/0366326	A1 *	12/2014	Colombo et al.	16/412

* cited by examiner

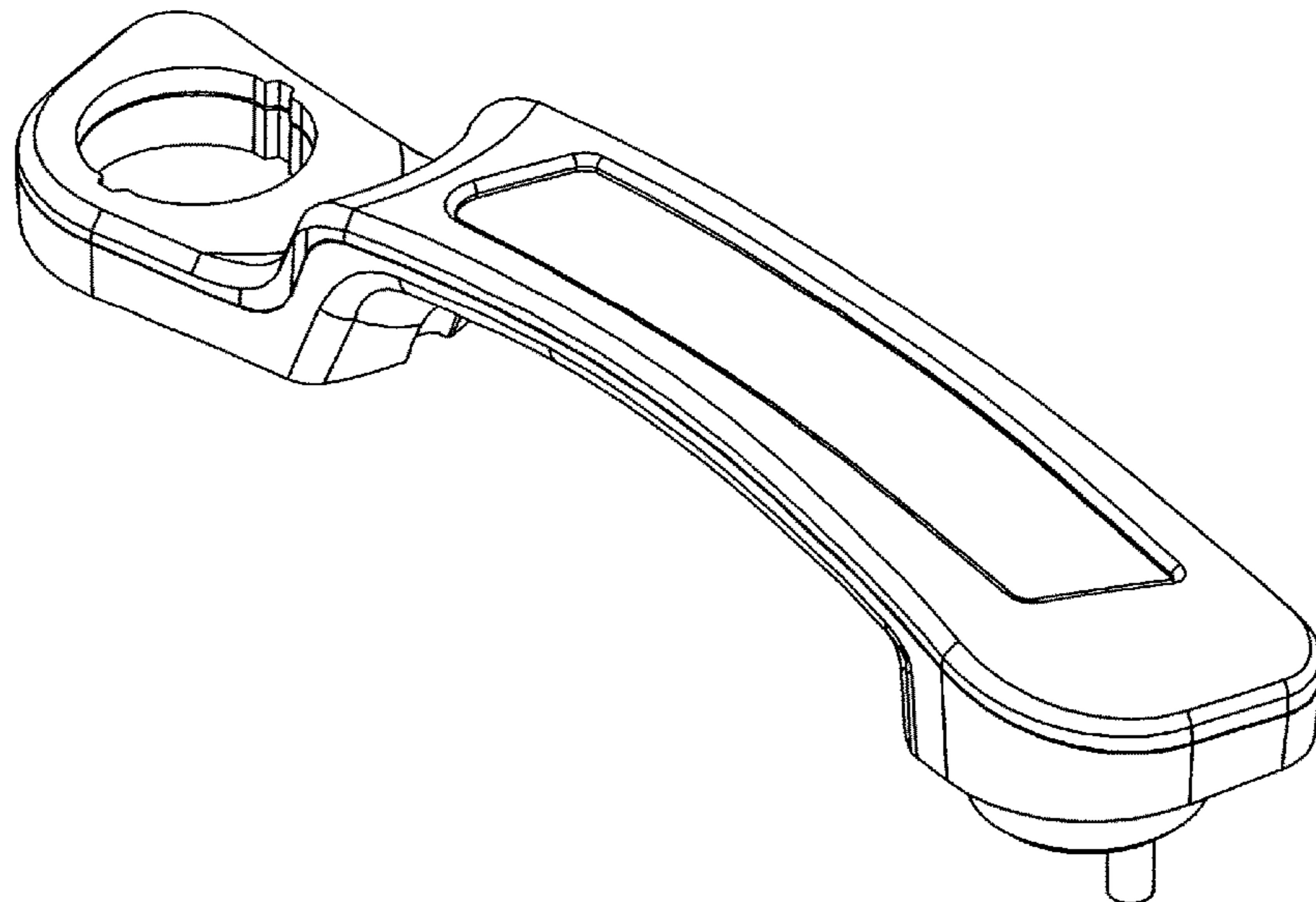
Primary Examiner — Derrick Holland
Assistant Examiner — Lauren Calve
(74) *Attorney, Agent, or Firm* — Raymond Sun

(57) **CLAIM**
The ornamental design for a handle for doors and covers, as shown and described.

DESCRIPTION

FIG. 1 is a perspective view a handle for doors and covers showing my new design.
FIG. 2 is a top view thereof;
FIG. 3 is a bottom view thereof;
FIG. 4 is a front view thereof;
FIG. 5 is rear view thereof;
FIG. 6 is a left view thereof; and,
FIG. 7 is a right view thereof.
The broken lines in the drawings indicate unclaimed portions and form no part of the claimed design.

1 Claim, 4 Drawing Sheets



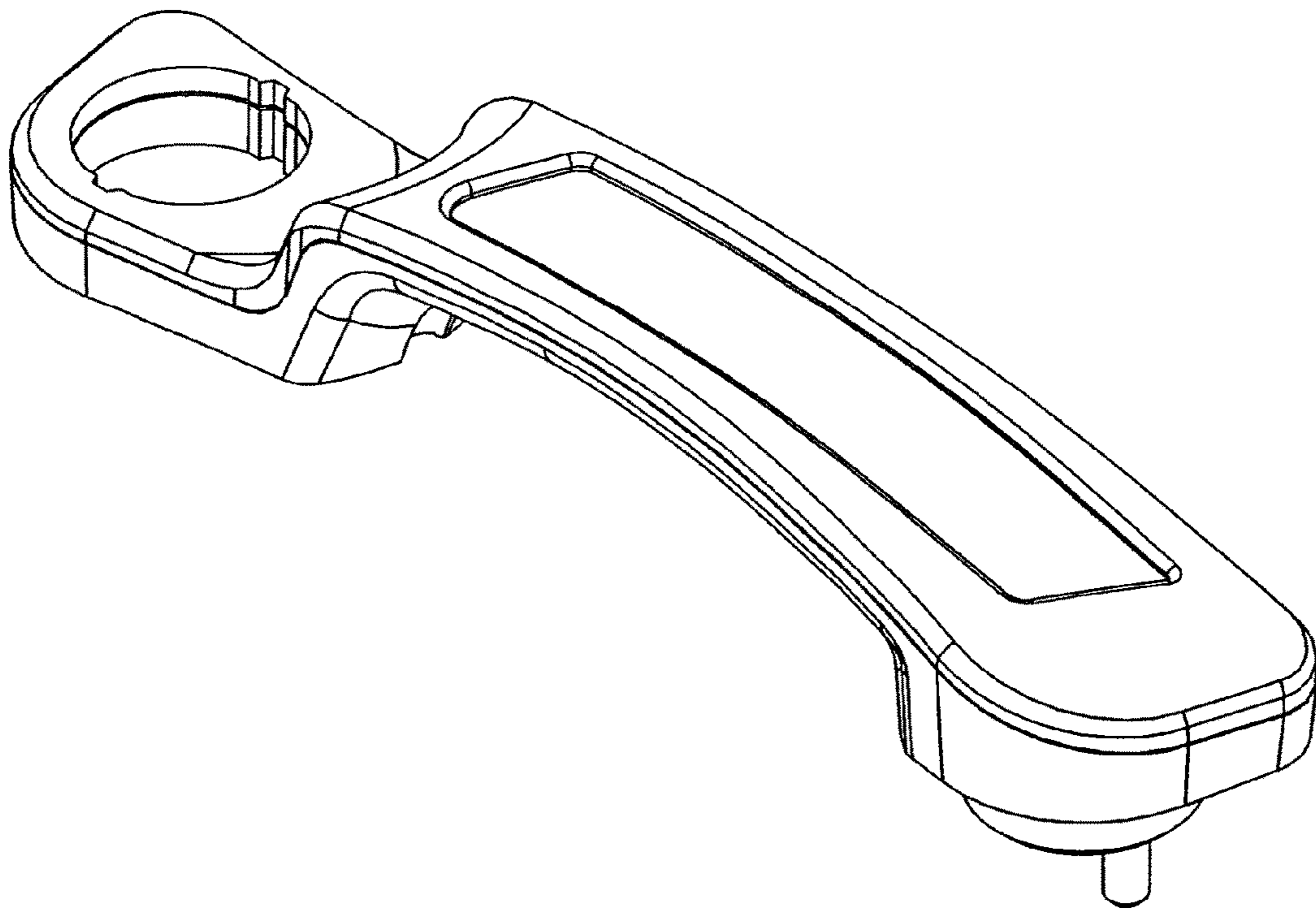


Fig. 1

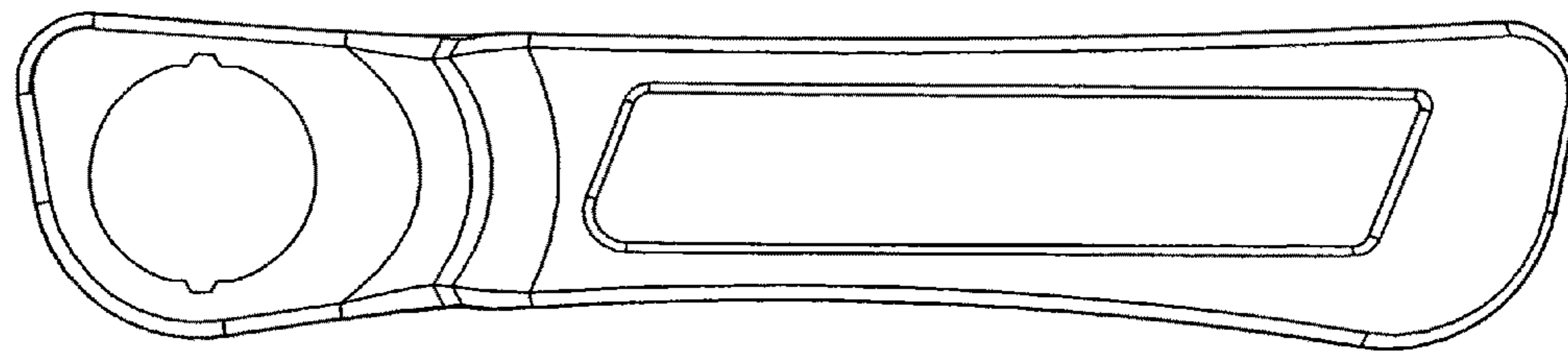


Fig. 2

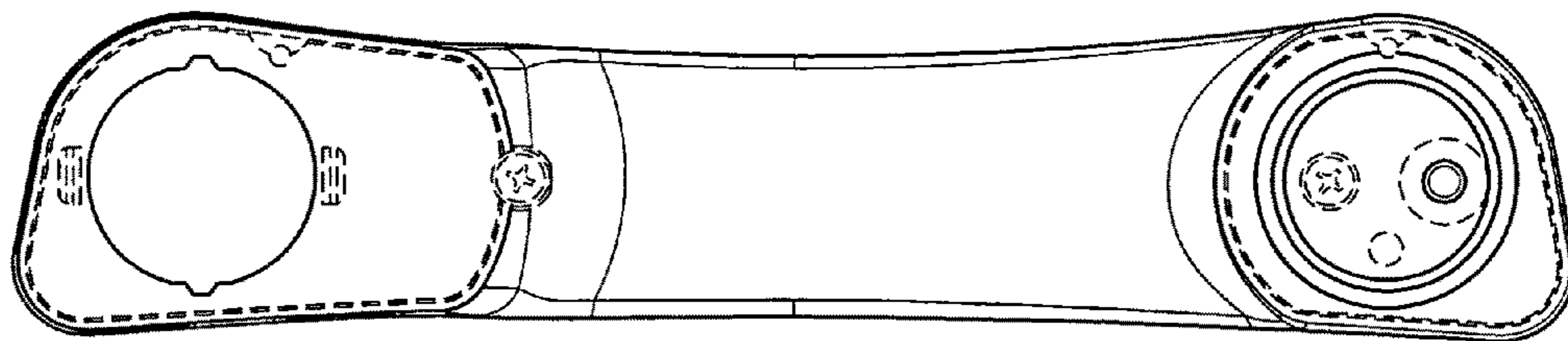


Fig. 3

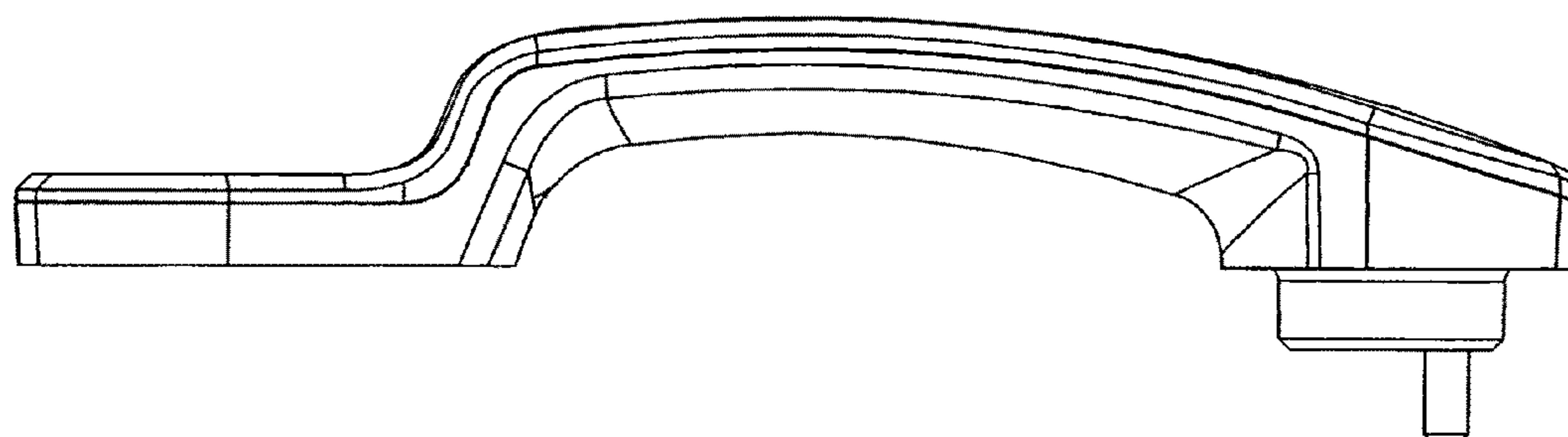


Fig. 4

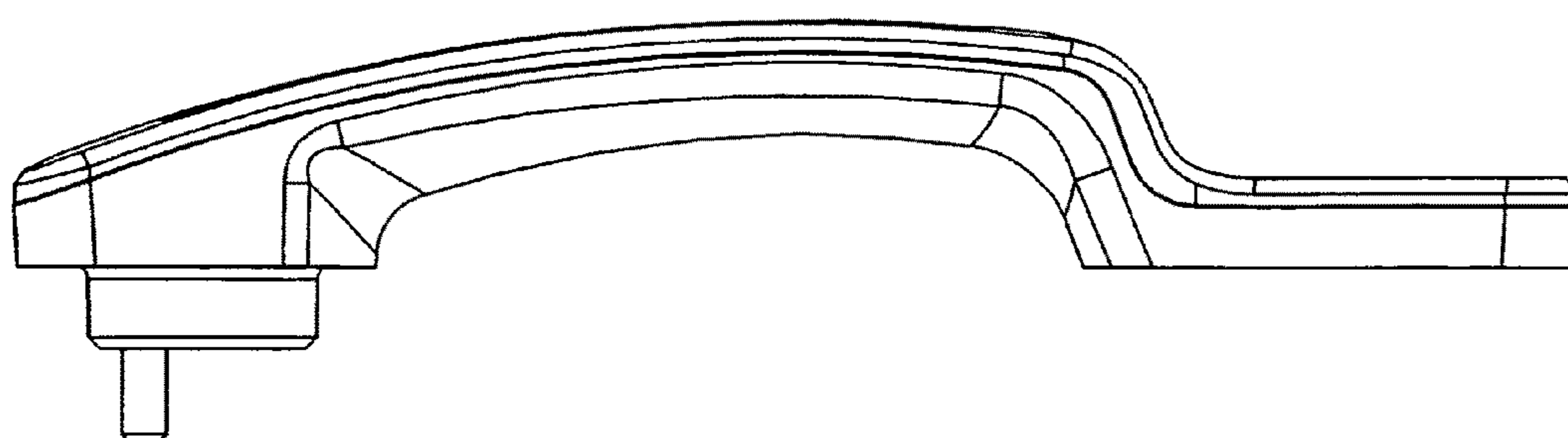


Fig. 5

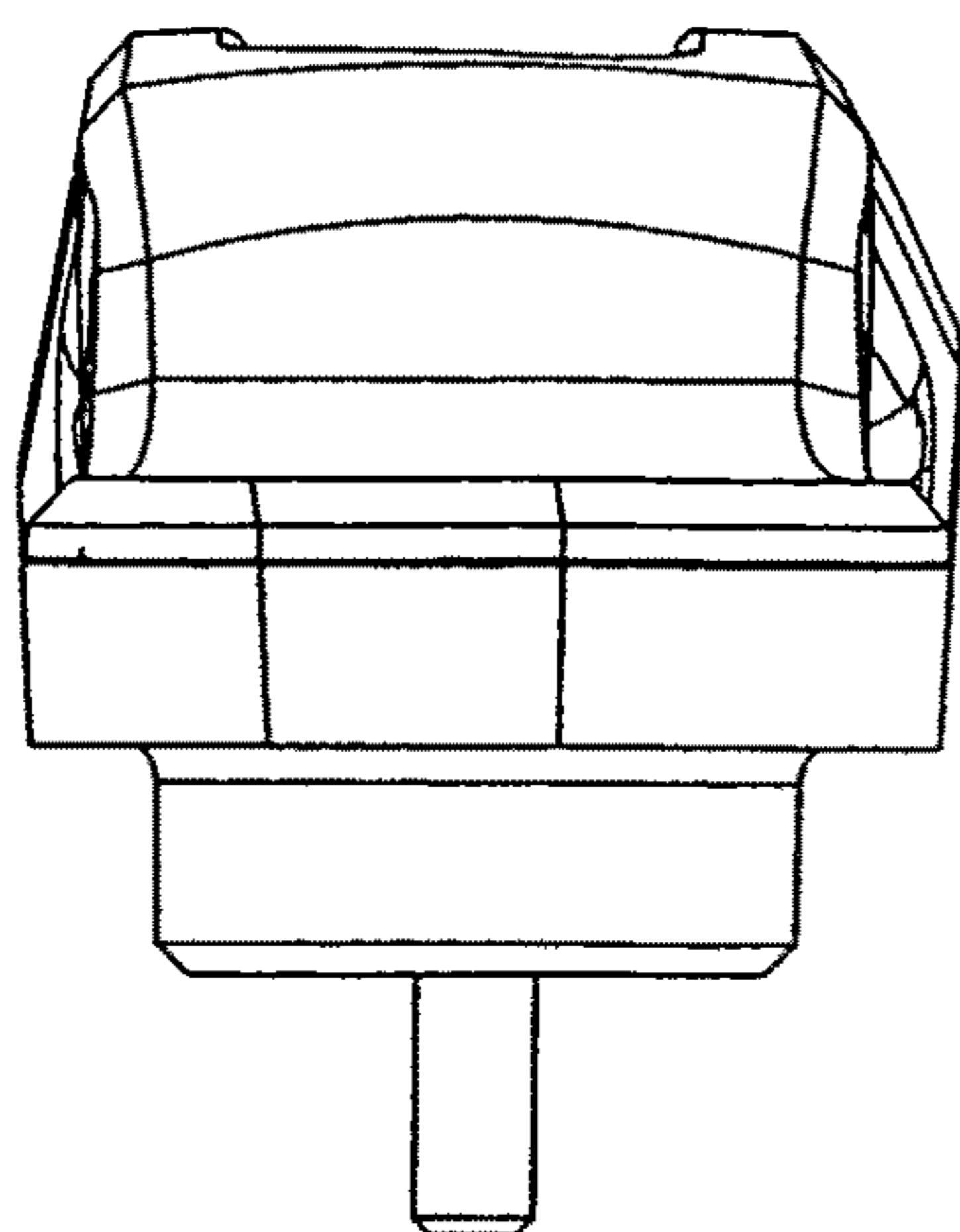


Fig. 6

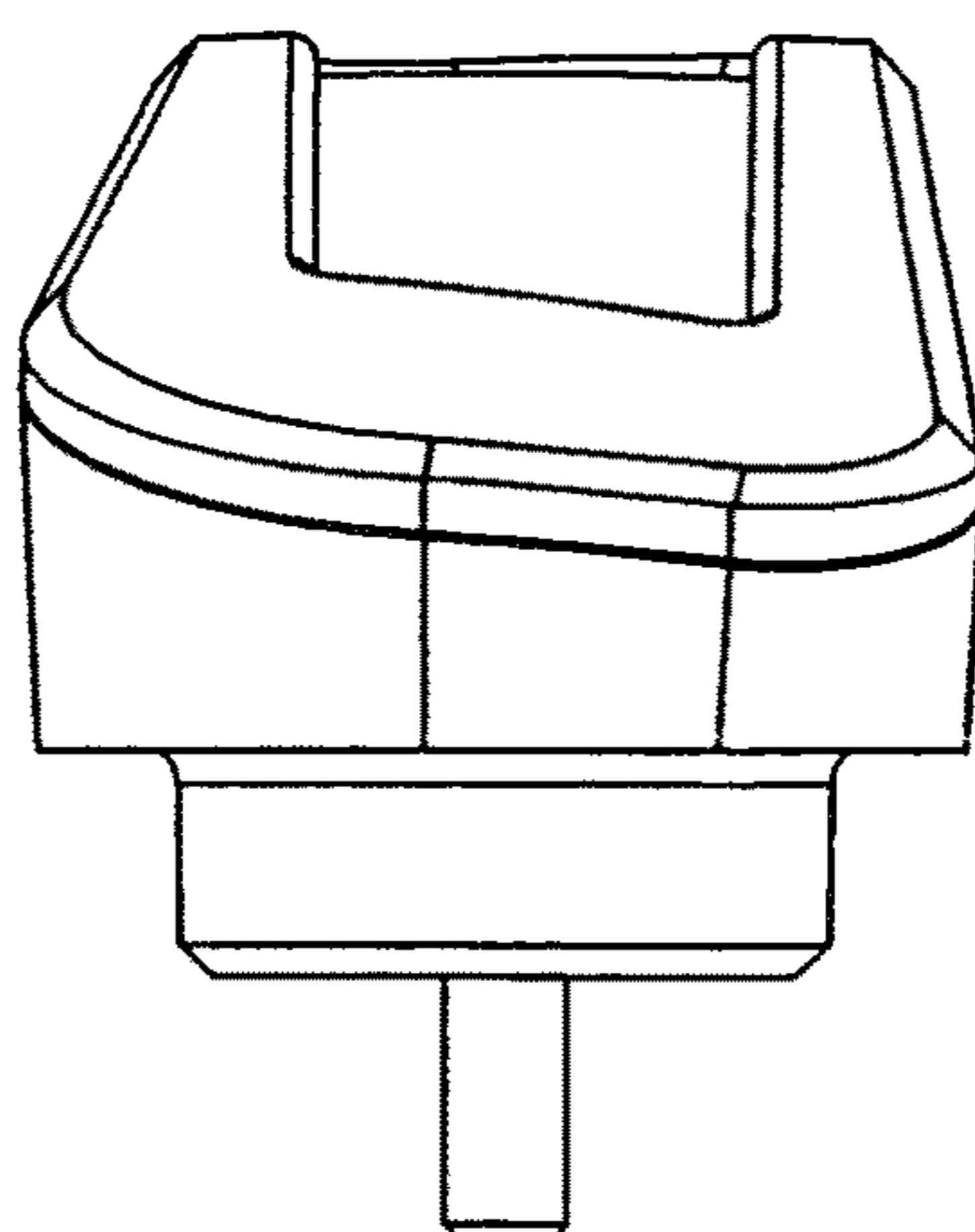


Fig. 7