



US00D747170S

(12) **United States Design Patent**
Lindley

(10) **Patent No.:** **US D747,170 S**
(45) **Date of Patent:** **** Jan. 12, 2016**

(54) **WIRE STRIPPER**

(71) Applicant: **Adam W. Lindley**, Green Bay, WI (US)

(72) Inventor: **Adam W. Lindley**, Green Bay, WI (US)

(73) Assignee: **S.A.S. OF LUXEMBURG, LTD.**,
Luxemburg, WI (US)

(**) Term: **14 Years**

(21) Appl. No.: **29/512,803**

(22) Filed: **Dec. 23, 2014**

(51) **LOC (10) Cl.** **08-03**

(52) **U.S. Cl.**
USPC **D8/98; D8/14**

(58) **Field of Classification Search**
USPC D8/14, 98, 71; D2/642
CPC H02G 1/12; H02G 1/126; H02G 1/1214;
H02G 1/1236; B26D 7/01; B26D 9/00
See application file for complete search history.

(56) **References Cited**

U.S. PATENT DOCUMENTS

- 2,978,934 A * 4/1961 Bradley H02G 1/1214
30/340
- 3,526,346 A * 9/1970 Zanette A47G 25/80
223/114
- 3,710,654 A * 1/1973 Halverson H02G 1/1231

- 3,784,067 A * 1/1974 Hicks 81/9.44
A47G 25/80
223/114
- 3,881,248 A * 5/1975 Kaufman H02G 1/1214
30/90.1
- 4,577,405 A * 3/1986 Butler H02G 1/1236
30/90.1
- 4,656,893 A * 4/1987 Hudson H02G 1/126
30/90.4
- 5,979,286 A * 11/1999 Burth H01B 15/006
30/90.8
- D726,392 S * 4/2015 Moore, Sr. D2/642

* cited by examiner

Primary Examiner — Phillip S Hyder

(74) *Attorney, Agent, or Firm* — Donald J. Ersler

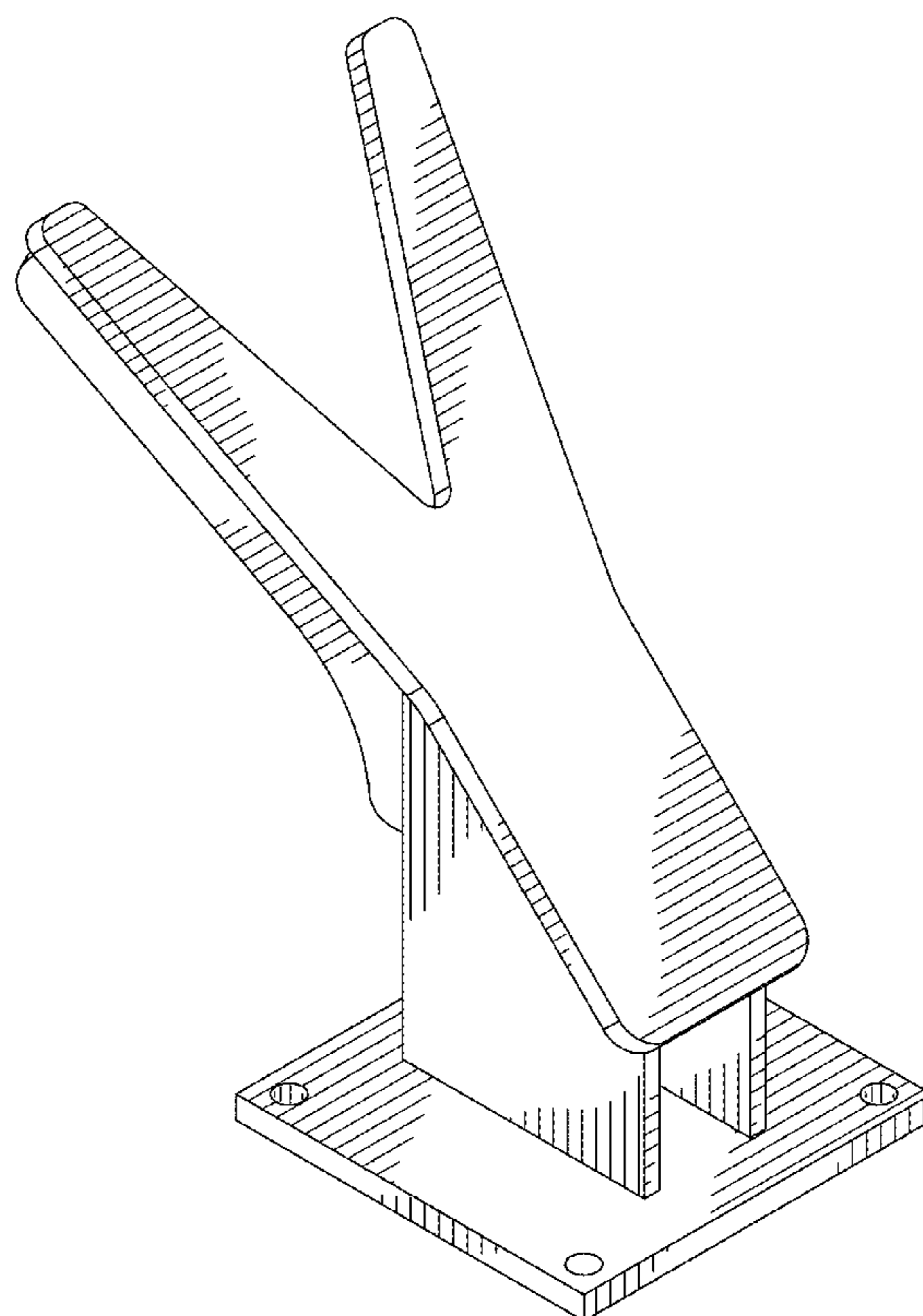
(57) **CLAIM**

The ornamental design for a wire stripper, as shown and described.

DESCRIPTION

FIG. 1 is a perspective view of a wire stripper incorporating my new design;
FIG. 2 is a front elevation view thereof;
FIG. 3 is a rear elevation view thereof;
FIG. 4 is a left side view thereof;
FIG. 5 is a right side view thereof;
FIG. 6 is a top plan view thereof; and,
FIG. 7 is a bottom plan view thereof.

1 Claim, 7 Drawing Sheets



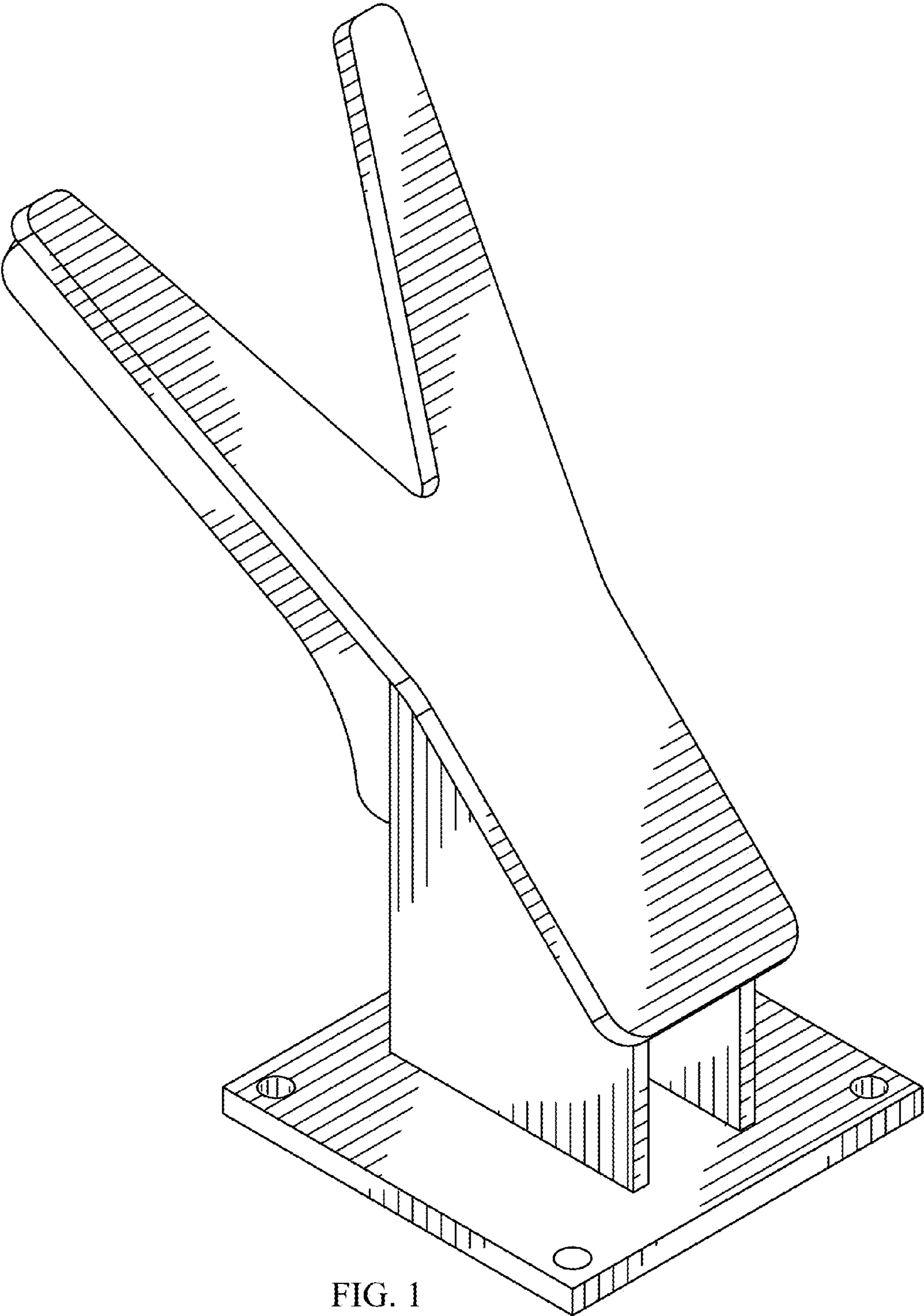


FIG. 1

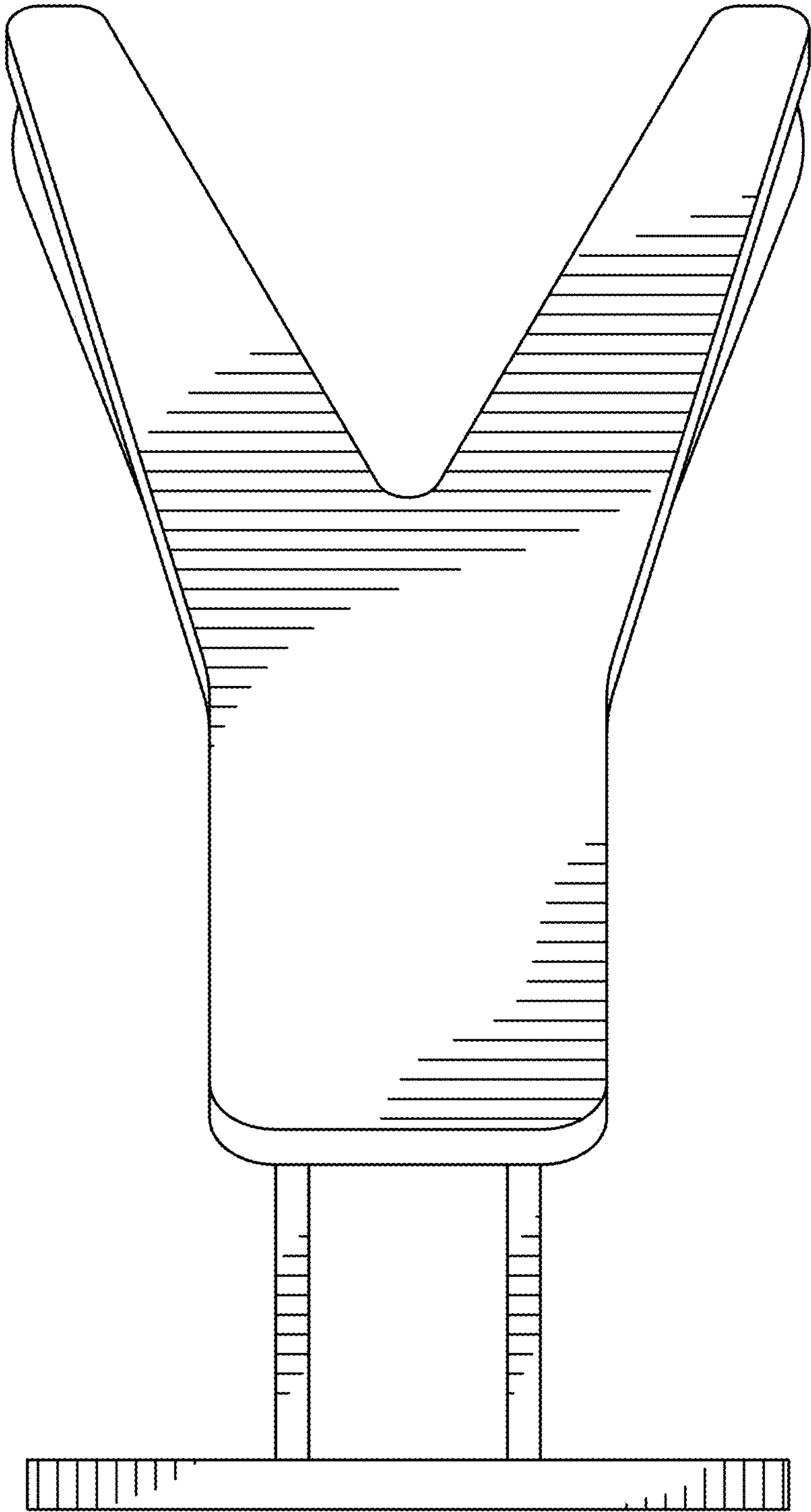


FIG. 2

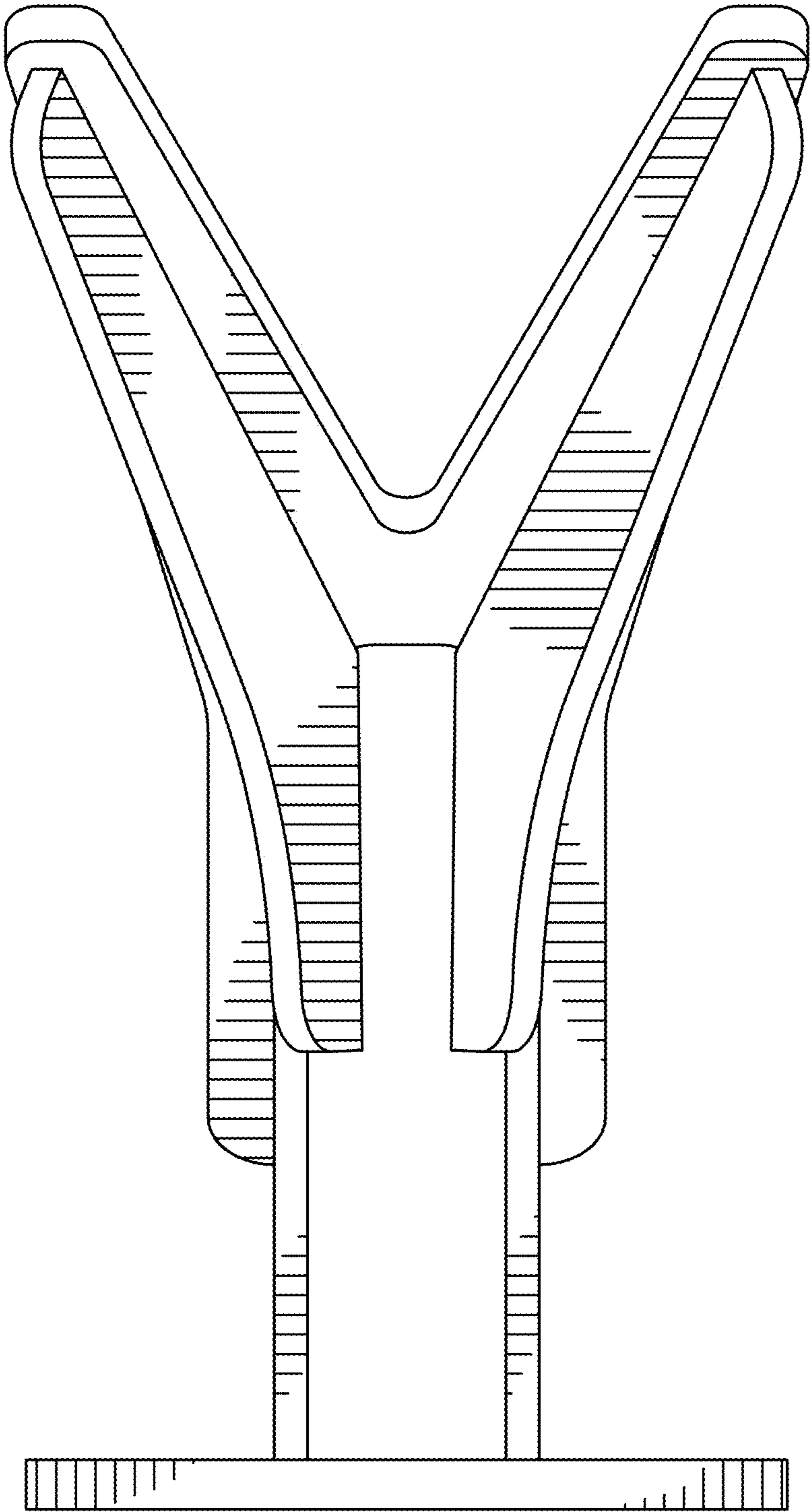


FIG. 3

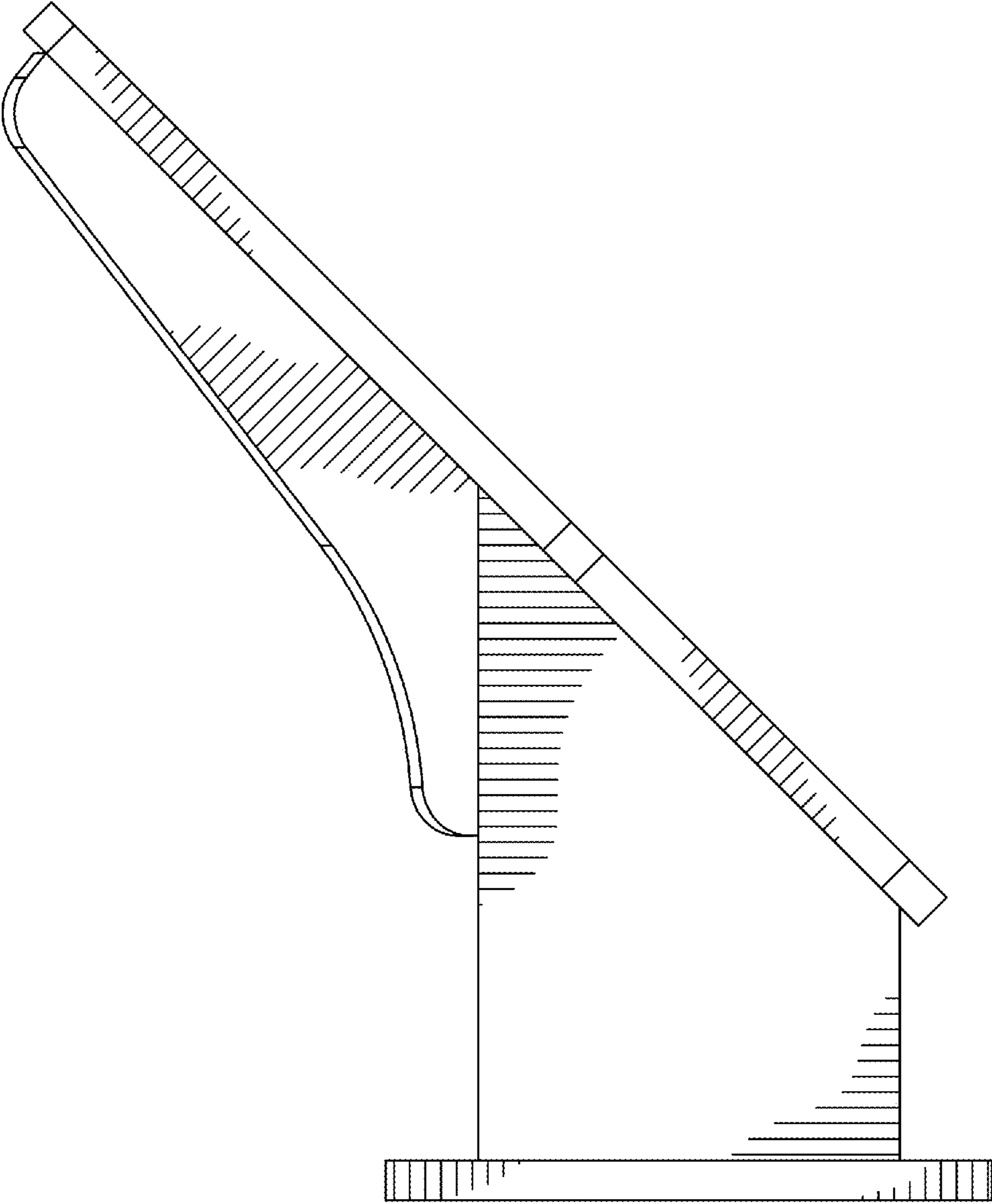


FIG. 4

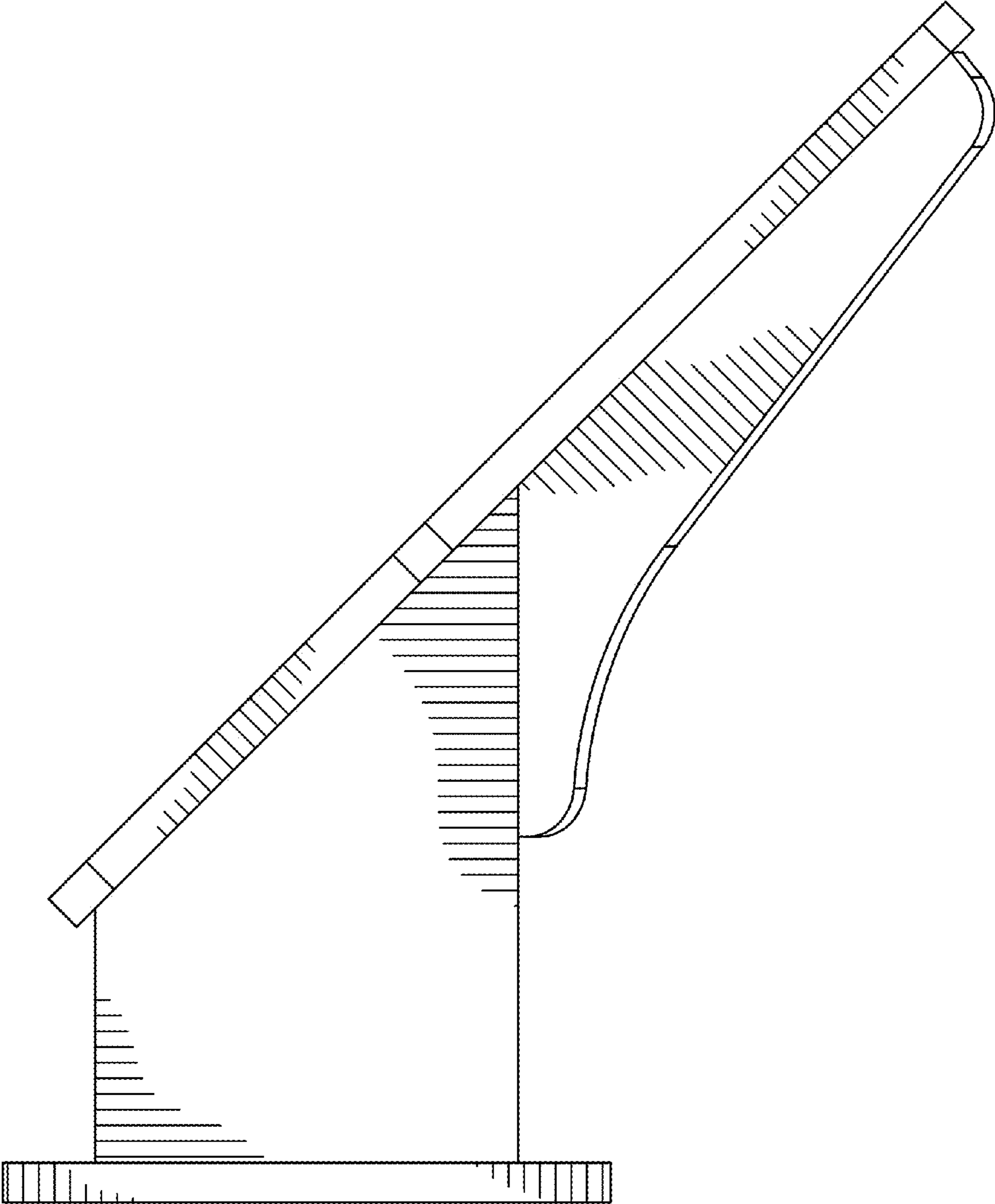


FIG. 5

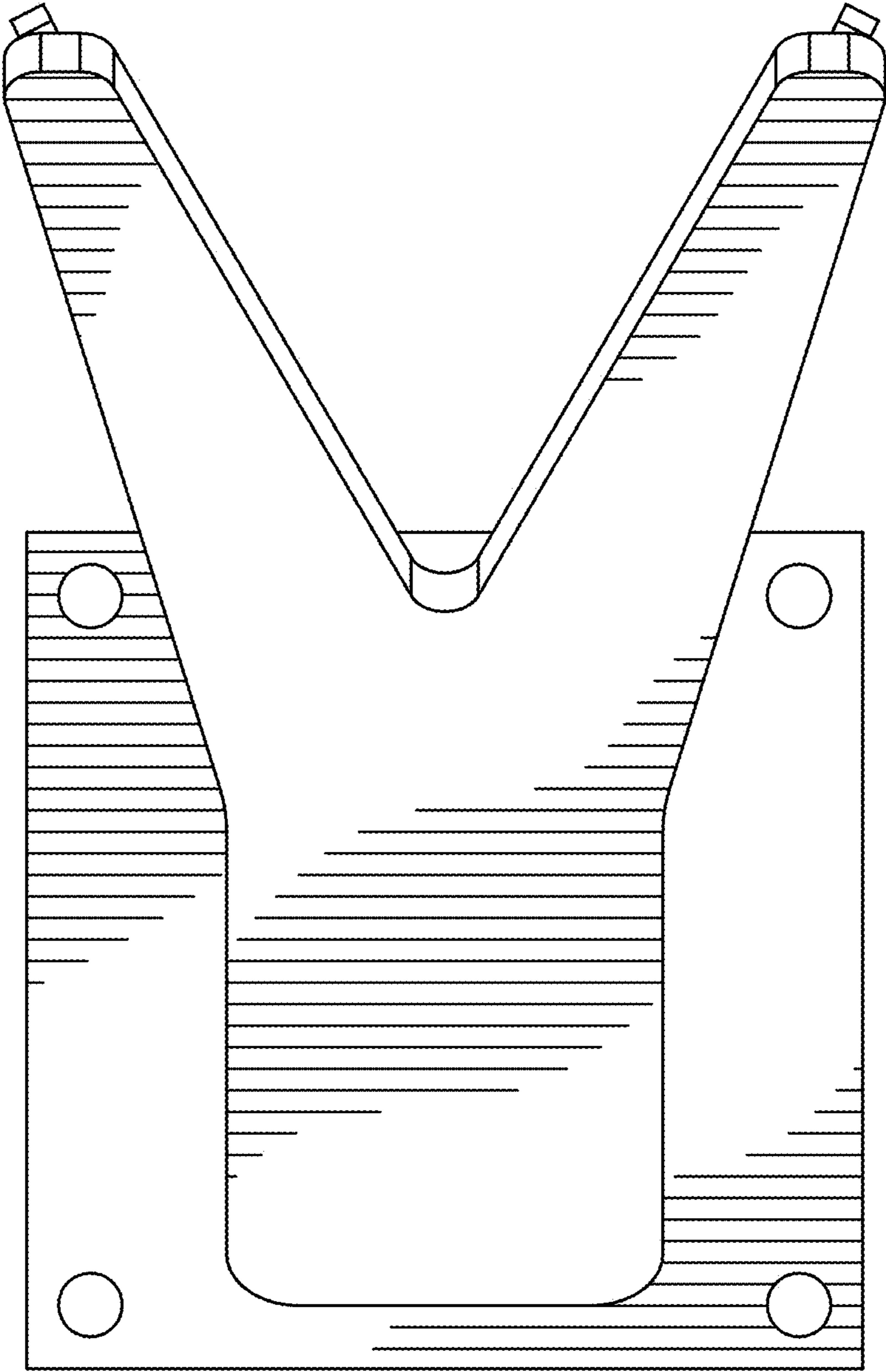


FIG. 6

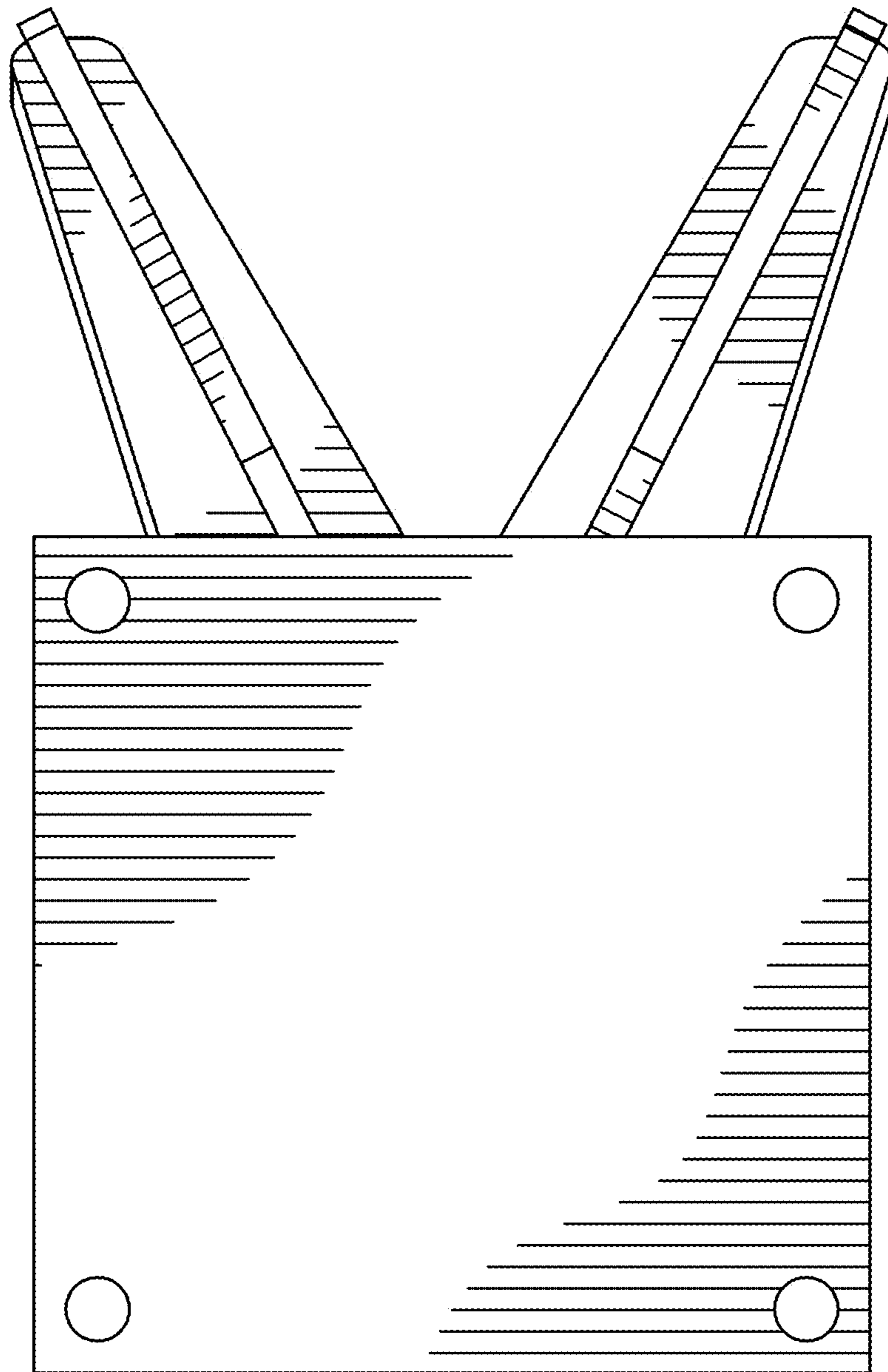


FIG. 7