



US00D747169S

(12) **United States Design Patent**  
**Koresh**

(10) **Patent No.:** **US D747,169 S**  
(45) **Date of Patent:** **\*\* Jan. 12, 2016**

(54) **CUTTING TOOL FOR SAUCE SACHETS**

(71) Applicant: **Peretz Koresh**, Karmiel (IL)

(72) Inventor: **Peretz Koresh**, Karmiel (IL)

(\*\*) Term: **14 Years**

(21) Appl. No.: **29/487,507**

(22) Filed: **Apr. 9, 2014**

(30) **Foreign Application Priority Data**

Oct. 10, 2013 (IL) ..... 54683

(51) **LOC (10) Cl.** ..... **08-03**

(52) **U.S. Cl.**  
USPC ..... **D8/98**

(58) **Field of Classification Search**  
USPC ..... D8/14, 51, 98  
CPC ..... B26B 3/00; B26B 27/005; B26B 27/00;  
B67B 7/00; B67B 7/30  
See application file for complete search history.

(56) **References Cited**

**U.S. PATENT DOCUMENTS**

2,238,753 A \* 4/1941 Robie ..... 30/2  
4,053,979 A \* 10/1977 Tuthill et al. .... 606/138

D276,786 S \* 12/1984 Chen ..... D8/41  
5,007,171 A \* 4/1991 Horning, Jr. .... 30/294  
D357,619 S \* 4/1995 Osmar et al. .... D8/34  
6,658,742 B2 \* 12/2003 Votolato ..... 30/280  
7,073,264 B2 \* 7/2006 Votolato ..... 30/294  
D582,745 S \* 12/2008 Neiser ..... D8/98  
7,730,620 B1 \* 6/2010 Anastasi ..... 30/294  
D714,124 S \* 9/2014 Fujino et al. .... D8/98  
8,869,407 B2 \* 10/2014 Votolato ..... 30/294

\* cited by examiner

*Primary Examiner* — Phillip S Hyder

(74) *Attorney, Agent, or Firm* — Vorys, Sater, Seymour and Pease LLP; William L. Klima

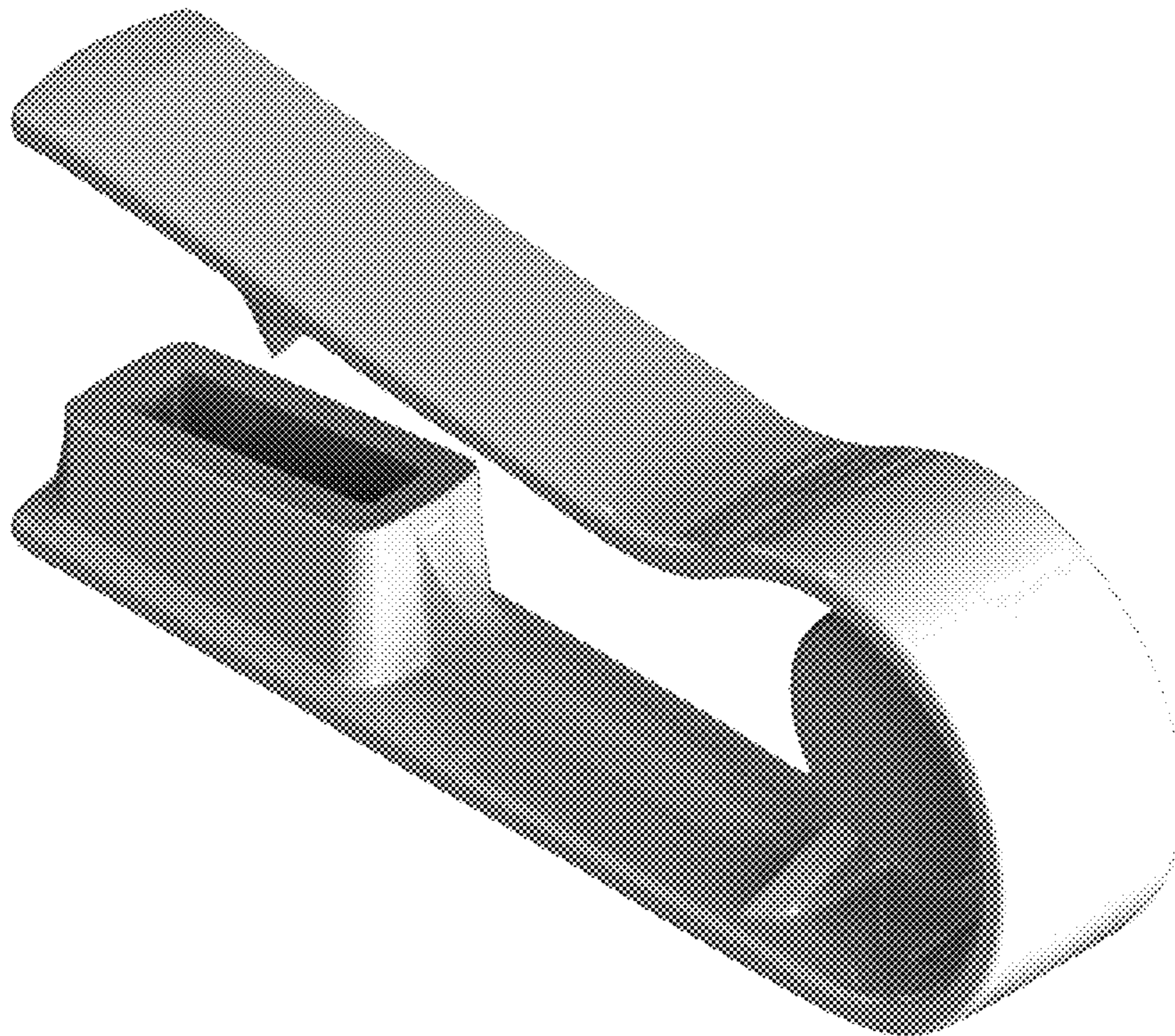
(57) **CLAIM**

The ornamental design for a cutting tool for sauce sachets, as shown and described.

**DESCRIPTION**

FIG. 1 is a rear perspective view for a cutting tool for sauce sachets;  
FIG. 2 is a front perspective view thereof;  
FIG. 3 is a front elevational view thereof;  
FIG. 4 is a left-side elevational view thereof;  
FIG. 5 is a right-side elevational view thereof;  
FIG. 6 is a top plan view thereof; and,  
FIG. 7 is a bottom plan view thereof.

**1 Claim, 7 Drawing Sheets**



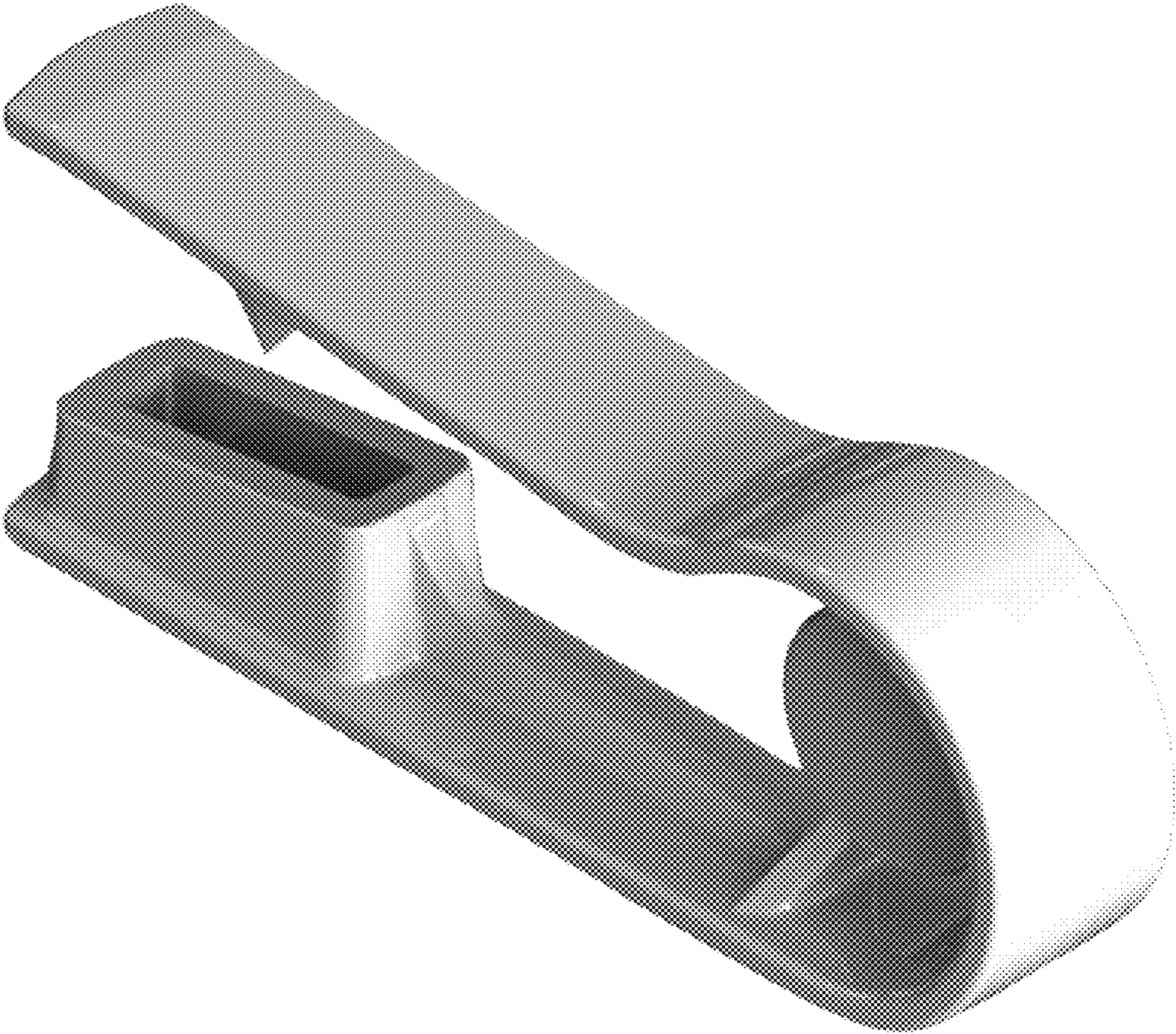


FIG. 1

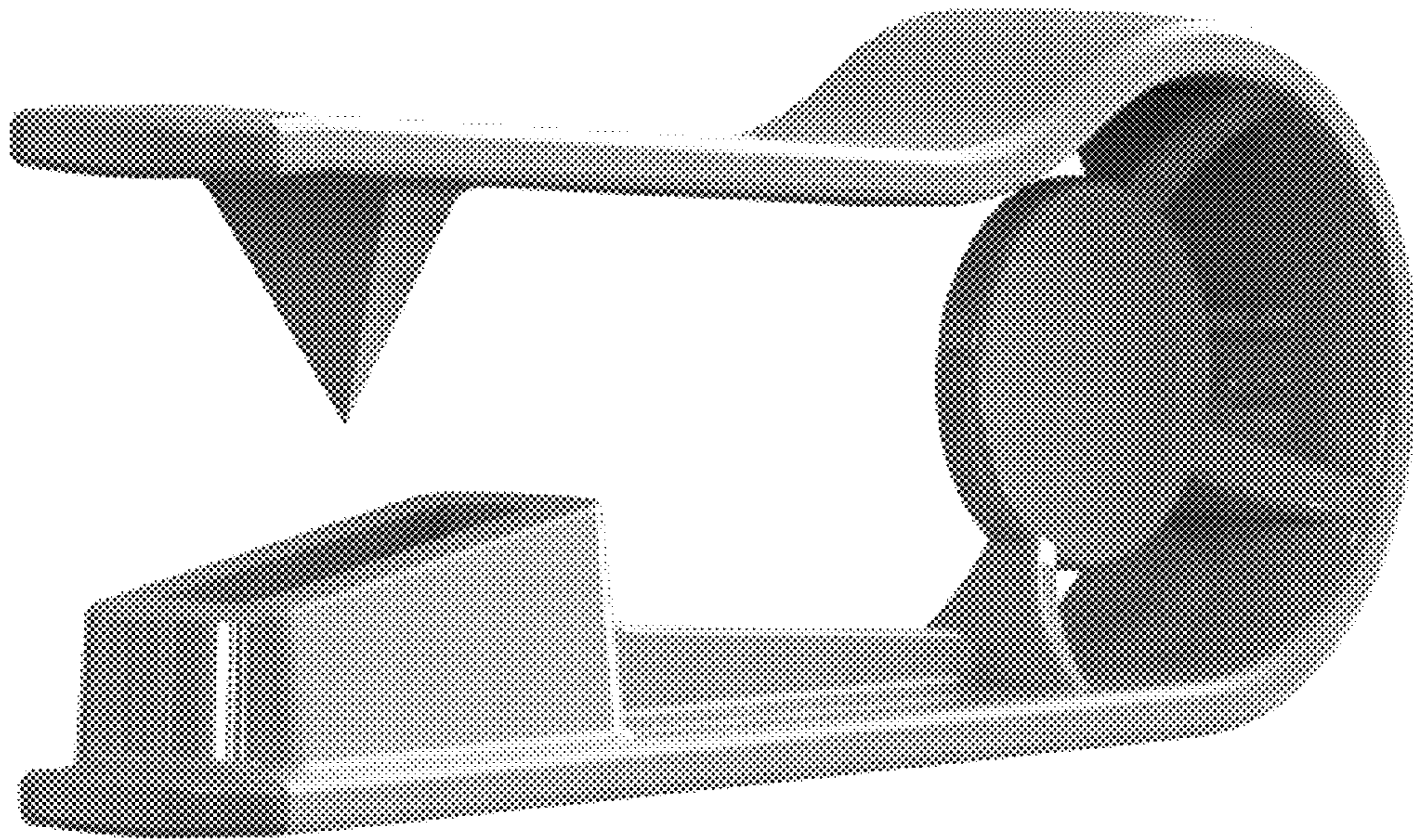


FIG. 2

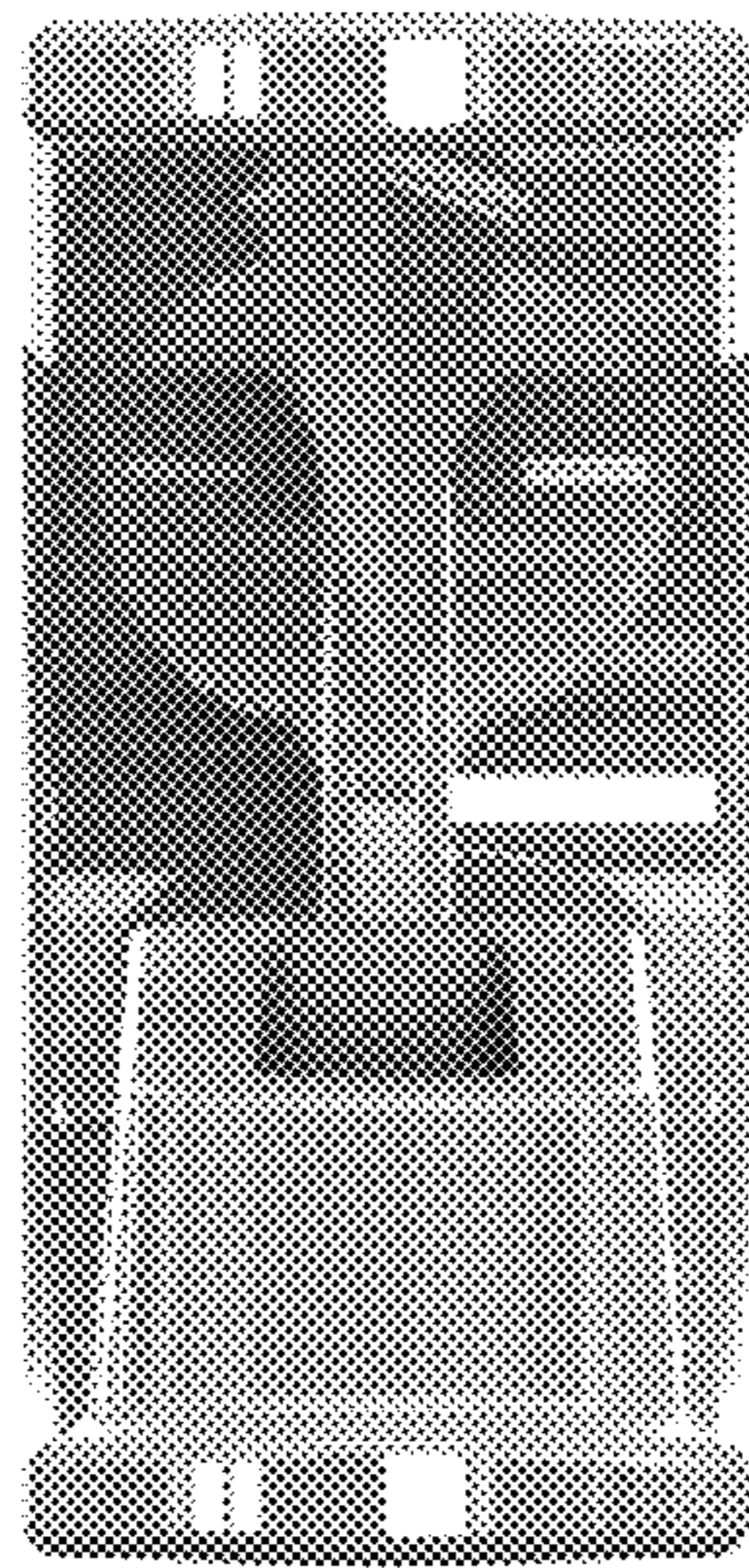


FIG. 3

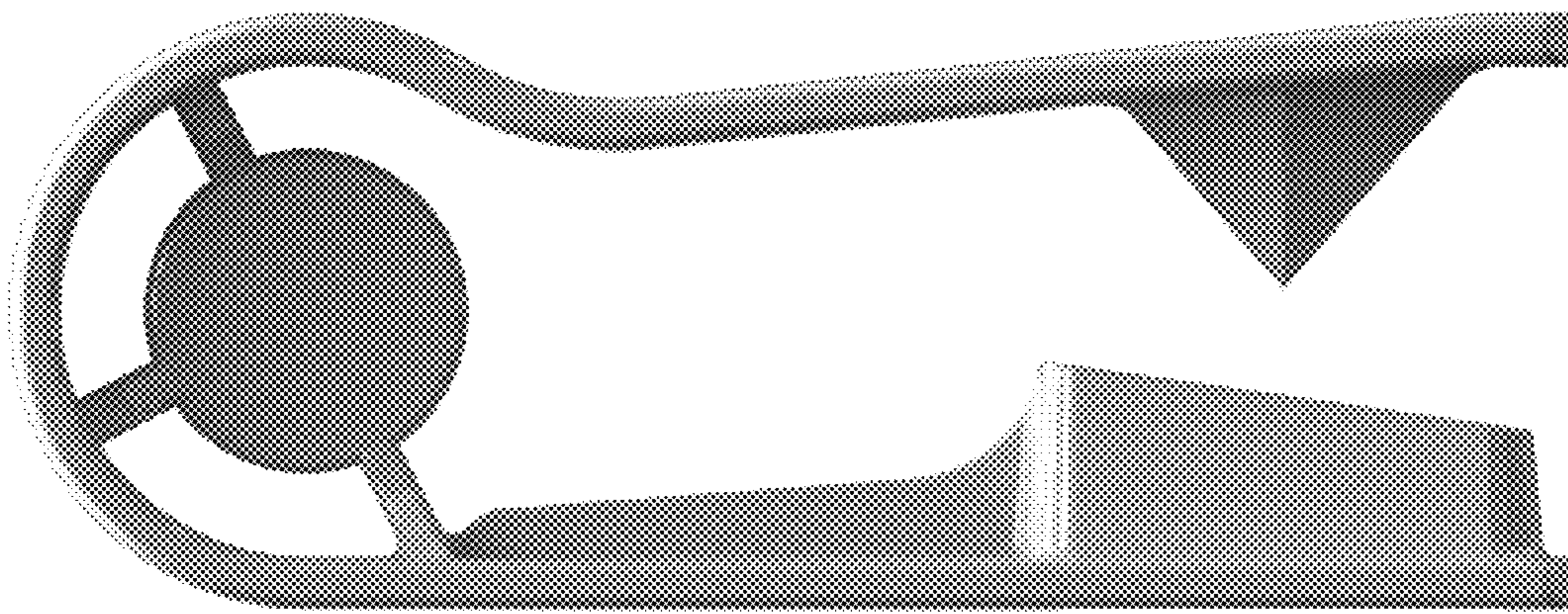


FIG. 4

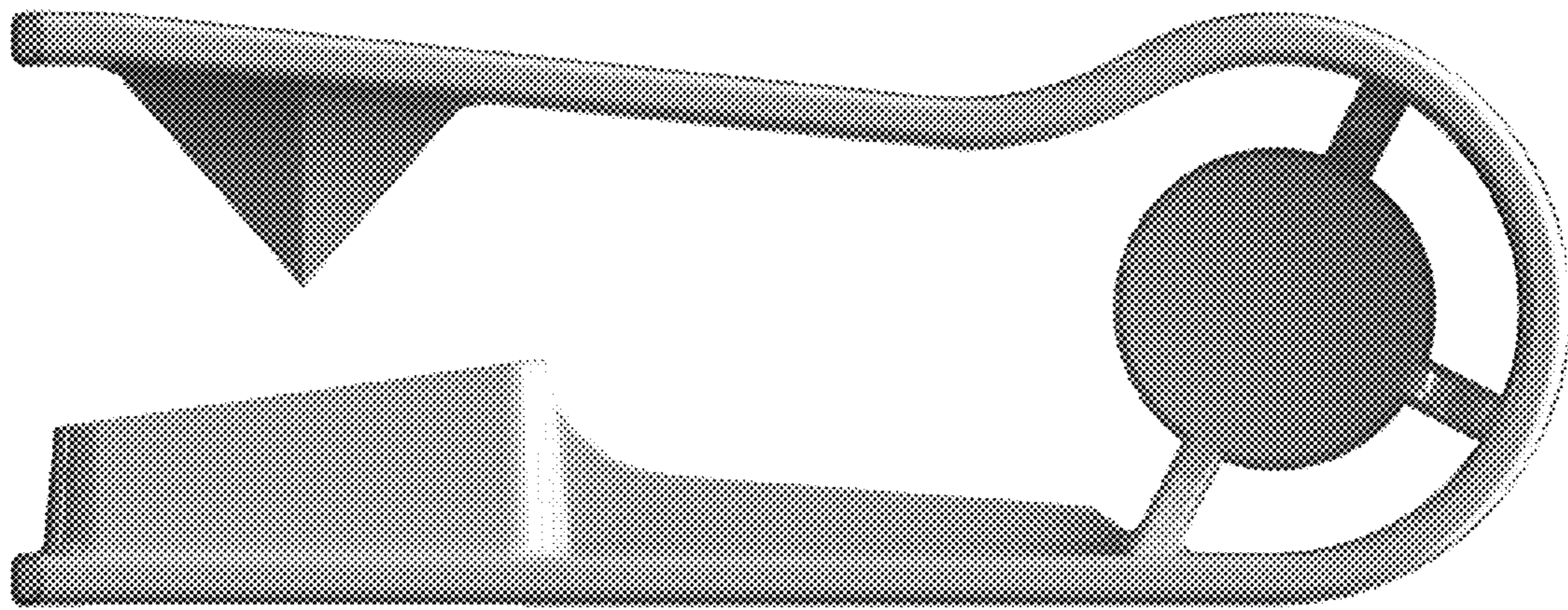


FIG. 5

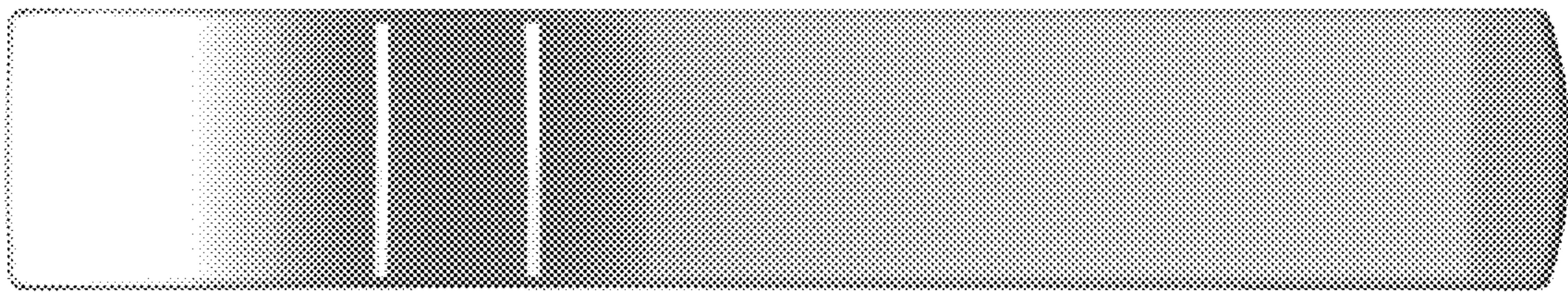


FIG. 6

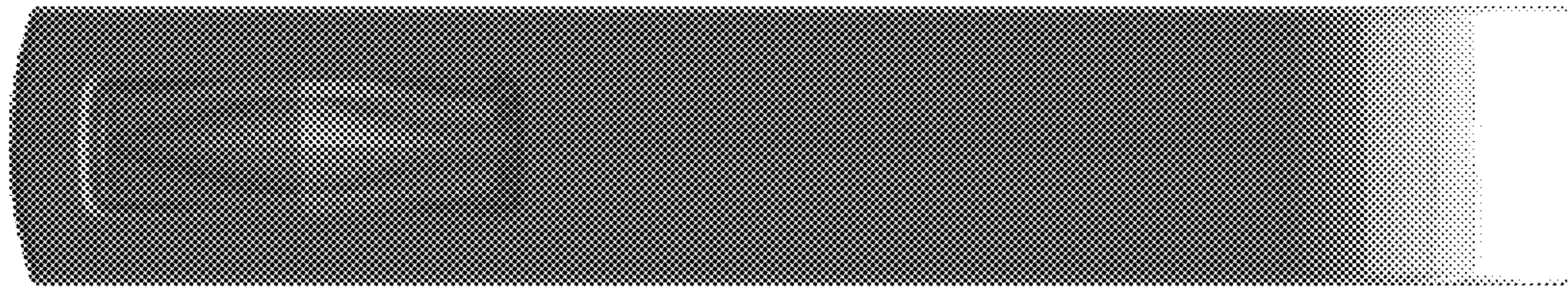


FIG. 7