



US00D747168S

(12) **United States Design Patent**  
**Balestrieri**

(10) **Patent No.:** **US D747,168 S**

(45) **Date of Patent:** **\*\* Jan. 12, 2016**

- (54) **SELF-GRIPPING CLAMP FOR AN ELECTRICAL LINE**
- (71) Applicant: **POWERCOM SA**, Stabio (CH)
- (72) Inventor: **Ugo Balestrieri**, Stabio (CH)
- (73) Assignee: **POWERCOM SA**, Stabio (CH)
- (\*\*) Term: **14 Years**
- (21) Appl. No.: **29/479,506**
- (22) Filed: **Jan. 16, 2014**
- (51) **LOC (10) Cl.** ..... **08-05**
- (52) **U.S. Cl.**  
USPC ..... **D8/72**
- (58) **Field of Classification Search**  
USPC ..... D8/71-74, 394-399, 354, 355, 356, 59;  
248/62, 63, 72, 74.1, 689, 124.2;  
81/487, 385, 386, 388-390; 269/3, 4,  
269/6, 143, 165, 240, 243, 246-249, 254 R,  
269/147-149; 29/256, 257, 276; D15/140;  
D24/143; 408/103, 104-109; D7/683,  
D7/685, 686; D6/684  
CPC ..... B25B 1/00; B25B 5/00  
See application file for complete search history.

(56) **References Cited**

**U.S. PATENT DOCUMENTS**

- 2,985,933 A \* 5/1961 Peterson et al. .... 24/132 R
- 3,262,171 A \* 7/1966 Scholz ..... 24/134 R
- 3,296,899 A \* 1/1967 Portanova ..... 29/268
- D220,939 S \* 6/1971 Lindsey ..... D8/394
- 3,923,333 A \* 12/1975 Whaley ..... 294/104
- D327,166 S \* 6/1992 Barker ..... D3/13
- D356,722 S \* 3/1995 Tessman ..... D8/72

- 5,529,297 A \* 6/1996 Sawdon ..... 269/239
- 5,638,919 A \* 6/1997 Pejout ..... 182/192
- D633,784 S \* 3/2011 Iwama ..... D8/395
- 8,104,811 B2 \* 1/2012 Seguin et al. .... 294/209
- 8,540,215 B2 \* 9/2013 Iwama ..... 254/134.3 R
- 2014/0331832 A1 \* 11/2014 Huang ..... 81/487

**OTHER PUBLICATIONS**

Specialised Force Pty. in LTD in AU, Mar. 26, 2015, <http://www.specialisedforce.com.au/product/powercom-riganti-wire-grips-with-interchangeable-liners>.\*

\* cited by examiner

*Primary Examiner* — David Muller

*Assistant Examiner* — Nathan Johnston

(74) *Attorney, Agent, or Firm* — Young & Thompson

(57) **CLAIM**

The ornamental design for a self-gripping clamp for an electrical line, as shown and described.

**DESCRIPTION**

FIG. 1 is a front, right side and top perspective view of a self-gripping clamp for an electrical line showing the new design;

FIG. 2 is a right side elevation view thereof;

FIG. 3 is a left side elevation view thereof;

FIG. 4 is a front elevation view thereof;

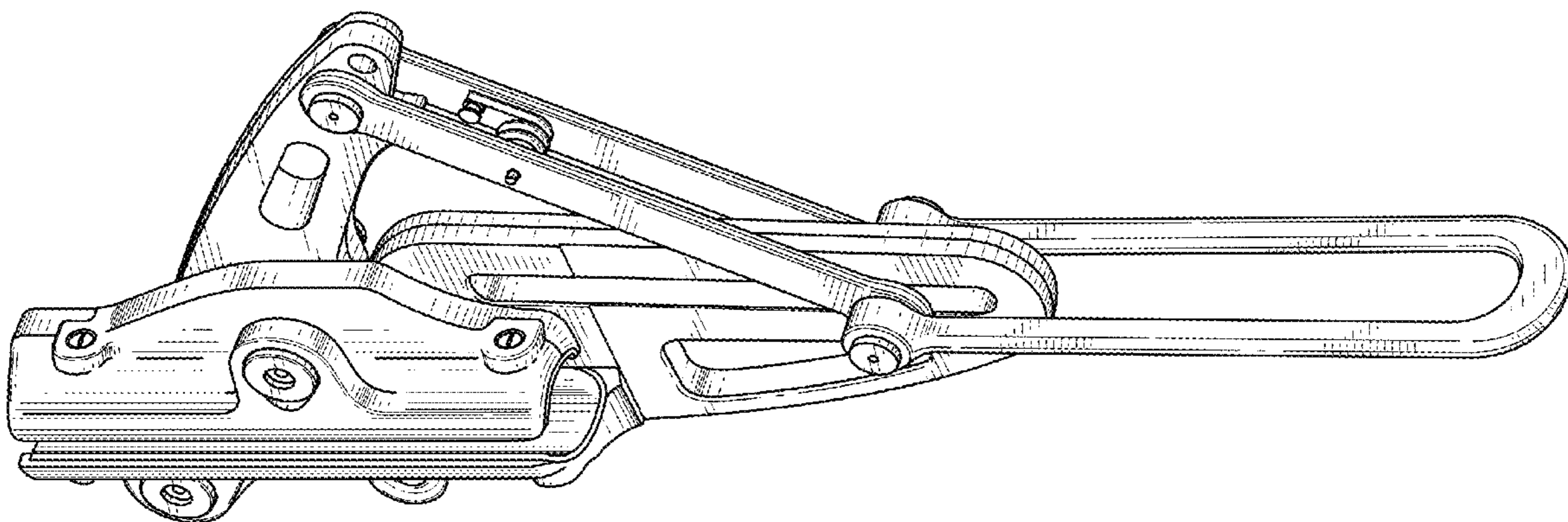
FIG. 5 is a rear elevation view thereof;

FIG. 6 is a top plan view thereof; and,

FIG. 7 is a bottom plan view thereof.

The portions of the design shown in broken lines show unclaimed subject matter.

**1 Claim, 5 Drawing Sheets**



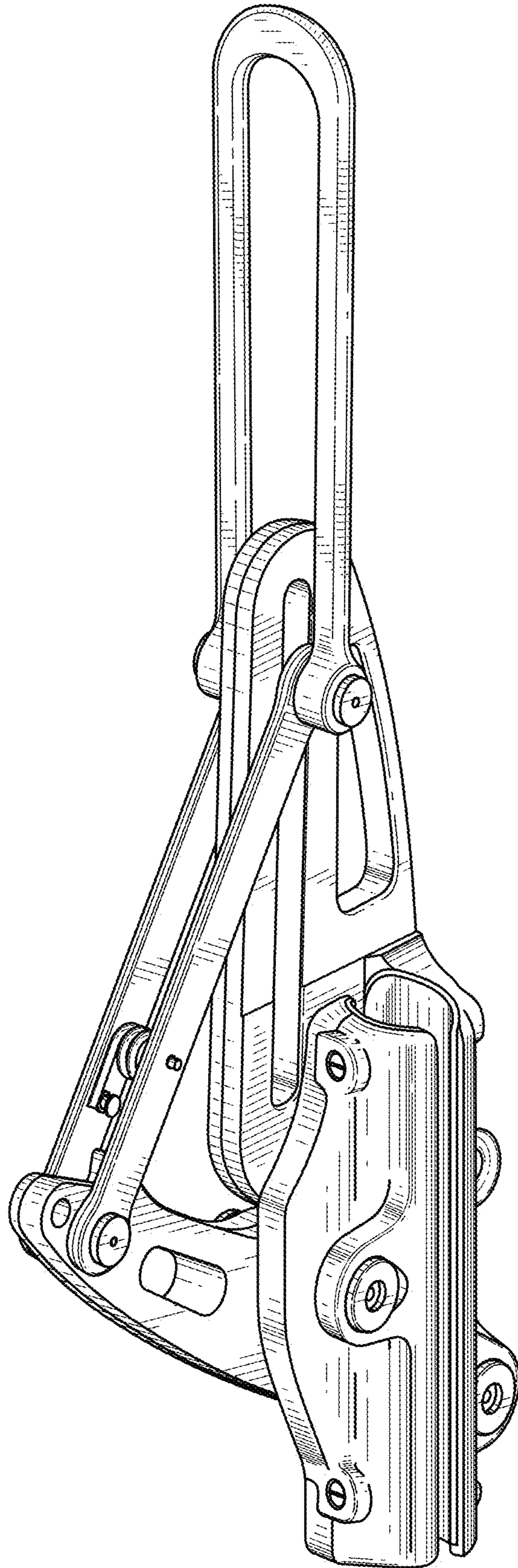


FIG. 1

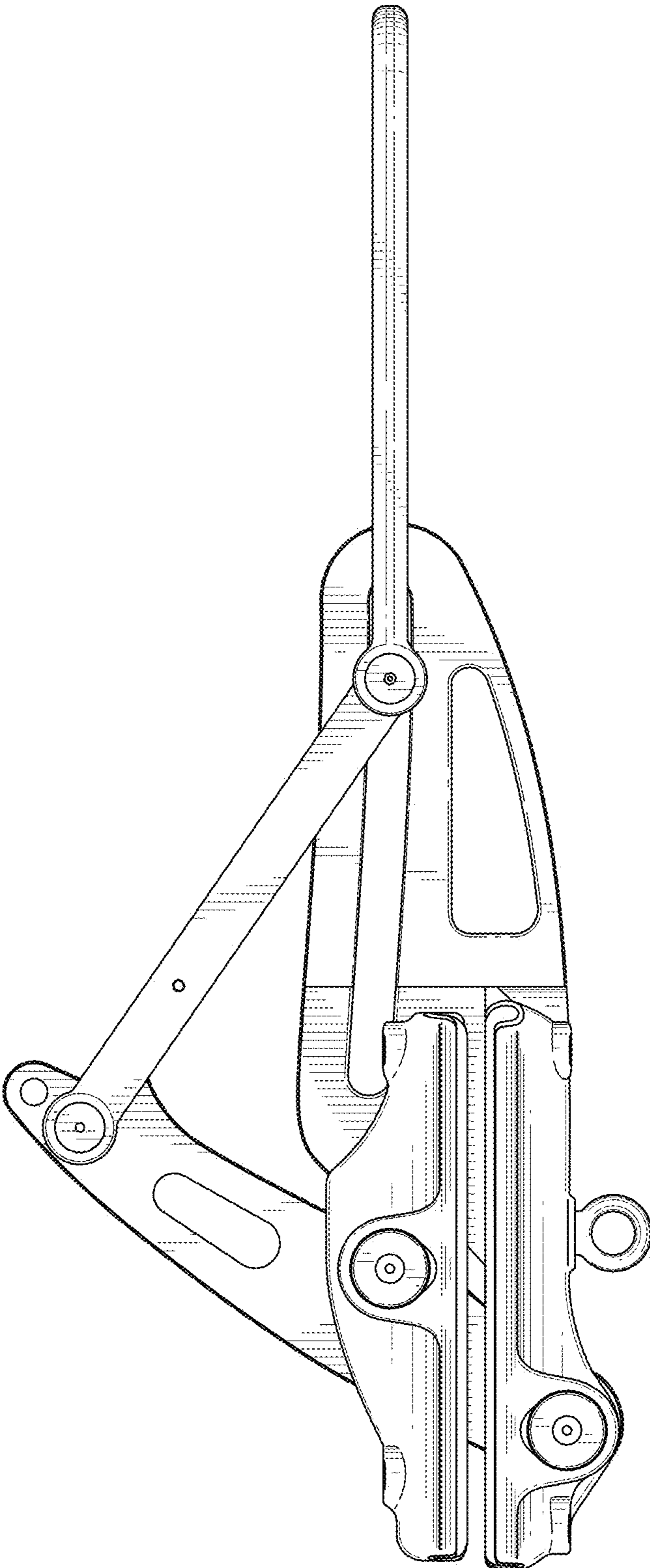


FIG. 2



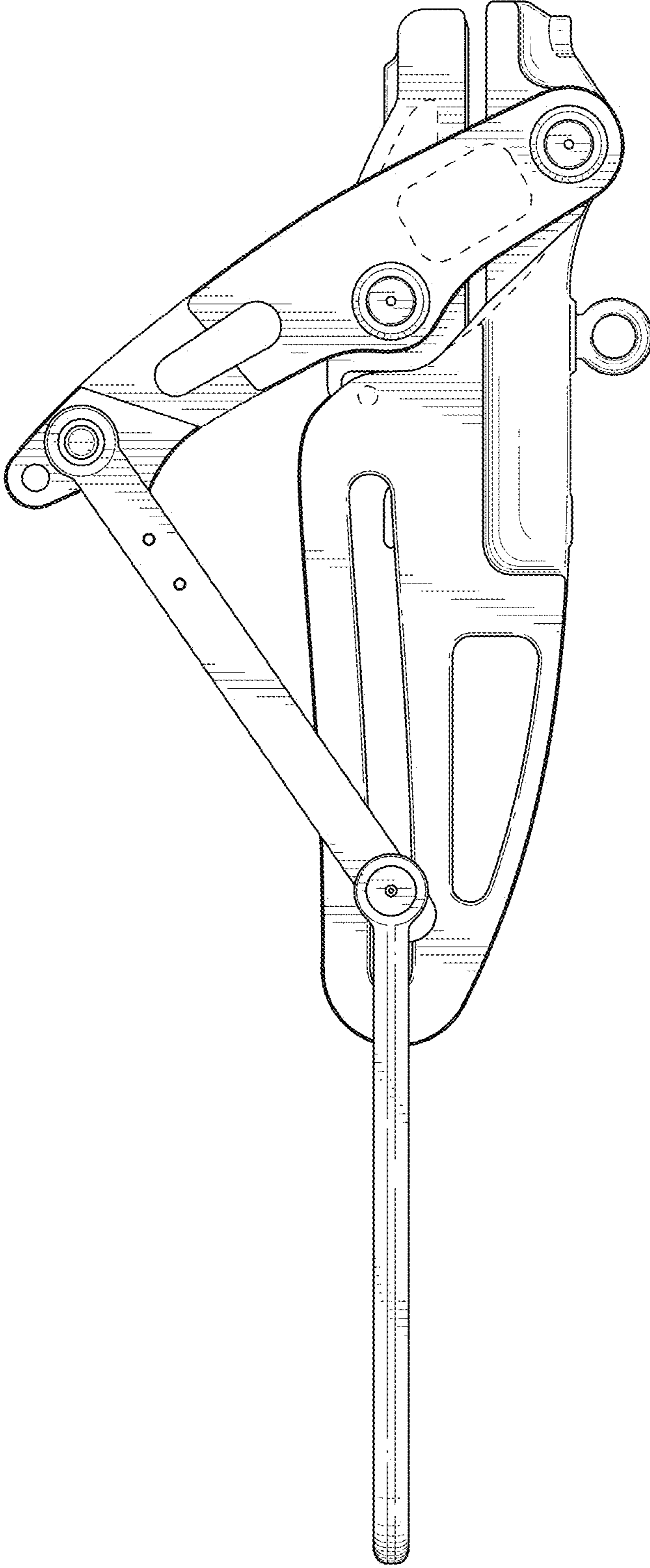


FIG. 3

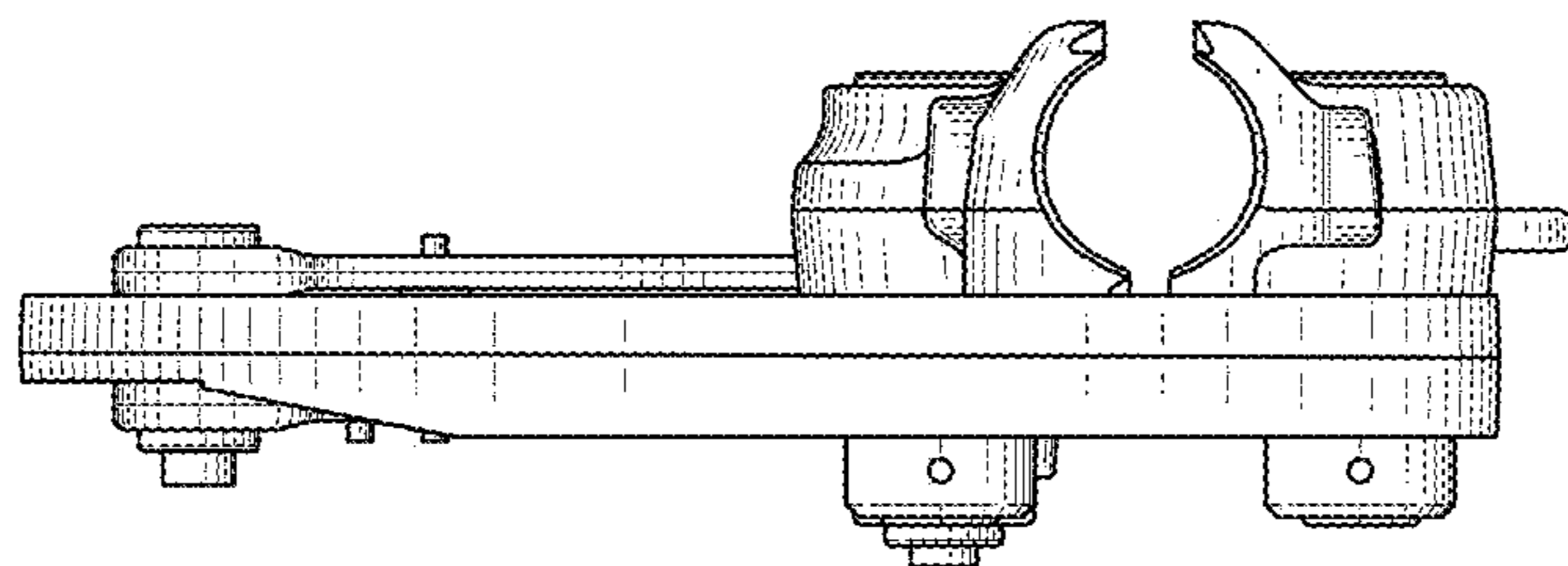


FIG. 5

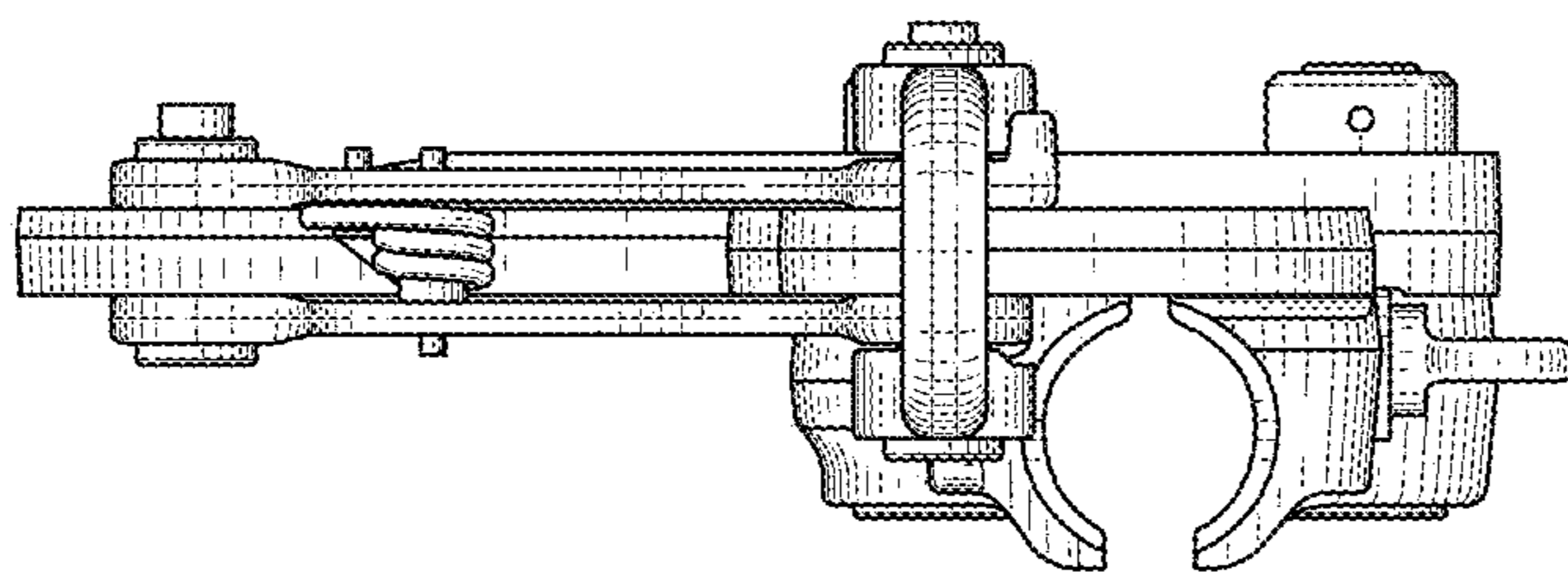


FIG. 4

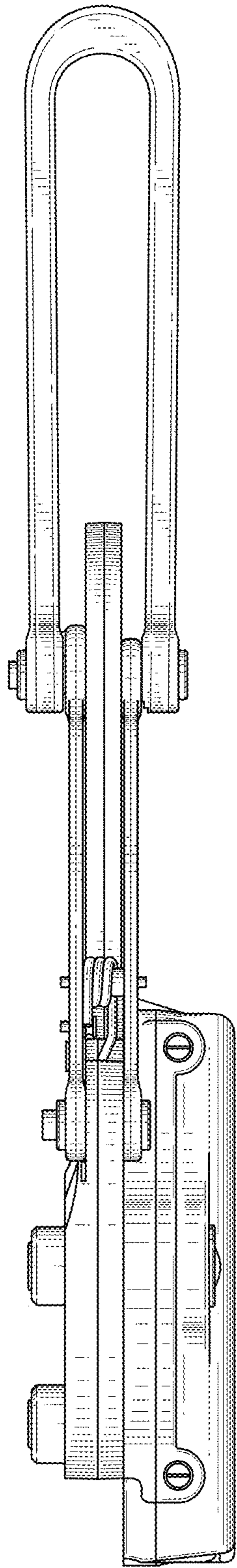


FIG. 6

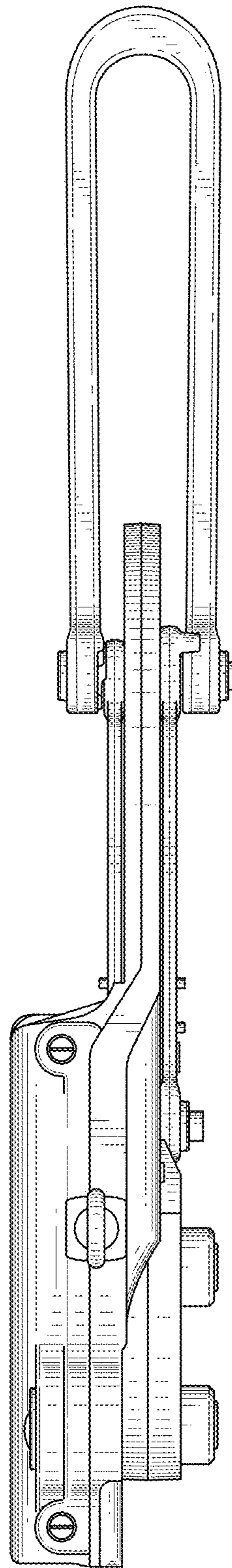


FIG. 7