



US00D747167S

(12) **United States Design Patent**
Harkin

(10) **Patent No.:** **US D747,167 S**

(45) **Date of Patent:** **** Jan. 12, 2016**

(54) **TOOL STAND**

(71) Applicant: **Richard A. Harkin**, Center Moriches,
NY (US)

(72) Inventor: **Richard A. Harkin**, Center Moriches,
NY (US)

(**) Term: **14 Years**

(21) Appl. No.: **29/461,327**

(22) Filed: **Jul. 22, 2013**

(51) **LOC (10) Cl.** **08-05**

(52) **U.S. Cl.**
USPC **D8/72**

(58) **Field of Classification Search**
USPC D8/14, 51, 52, 54, 71-74, 106, 303,
D8/307-309, 349, 354, 394, 395; D6/326,
D6/328; D13/120; D21/191, 198, 199,
D21/662, 684, 692; 81/300, 304; 248/121,
248/127, 146, 351, 688; 482/44, 49, 121,
482/122, 126
CPC F16M 11/04; F16M 11/06; A01B 1/00;
A01D 7/00; B25B 11/00
See application file for complete search history.

(56) **References Cited**

U.S. PATENT DOCUMENTS

| | | | | |
|-----------|------|---------|----------------|---------|
| 1,459,582 | A * | 6/1923 | Dubee | 24/564 |
| D264,737 | S * | 6/1982 | Cooper | D21/684 |
| 4,903,929 | A | 2/1990 | Hoffman | |
| 5,161,772 | A * | 11/1992 | DiResta et al. | 248/688 |
| D408,062 | S * | 4/1999 | Beard et al. | D21/684 |
| D433,318 | S * | 11/2000 | Chang | D8/395 |
| 6,212,977 | B1 * | 4/2001 | Liou | 81/323 |
| D457,409 | S * | 5/2002 | Noniewicz | D8/72 |
| D470,029 | S * | 2/2003 | Wolff | D8/72 |
| D485,481 | S * | 1/2004 | Wolff | D8/72 |
| D591,367 | S * | 4/2009 | Harris | D21/684 |
| D594,726 | S * | 6/2009 | Arredondo | D8/72 |
| 7,896,596 | B2 | 3/2011 | Rausch et al. | |

| | | | | |
|--------------|------|---------|-----------------|--------|
| 8,307,576 | B1 | 11/2012 | Bogart et al. | |
| 2012/0137548 | A1 * | 6/2012 | Kimball | 37/266 |
| 2012/0227305 | A1 | 9/2012 | Fontenot et al. | |
| 2012/0241179 | A1 | 9/2012 | Mix | |
| 2013/0291695 | A1 * | 11/2013 | Bricker | 81/489 |

FOREIGN PATENT DOCUMENTS

EM 0579929 A1 1/1994

OTHER PUBLICATIONS

For Sale by Inventor. "Richard A. Harkin—Tool Stand." YouTube.,
Nov. 11, 2013 [online], [retrieved on Oct. 20, 2014]. Retrieved from
the Internet <URL: <https://www.youtube.com/watch?v=4bNAV5CYjdM>>.*

* cited by examiner

Primary Examiner — Philip S Hyder

Assistant Examiner — Darlington Ly

(74) *Attorney, Agent, or Firm* — Robert C. Montgomery;
Montgomery Patent & Design LP.

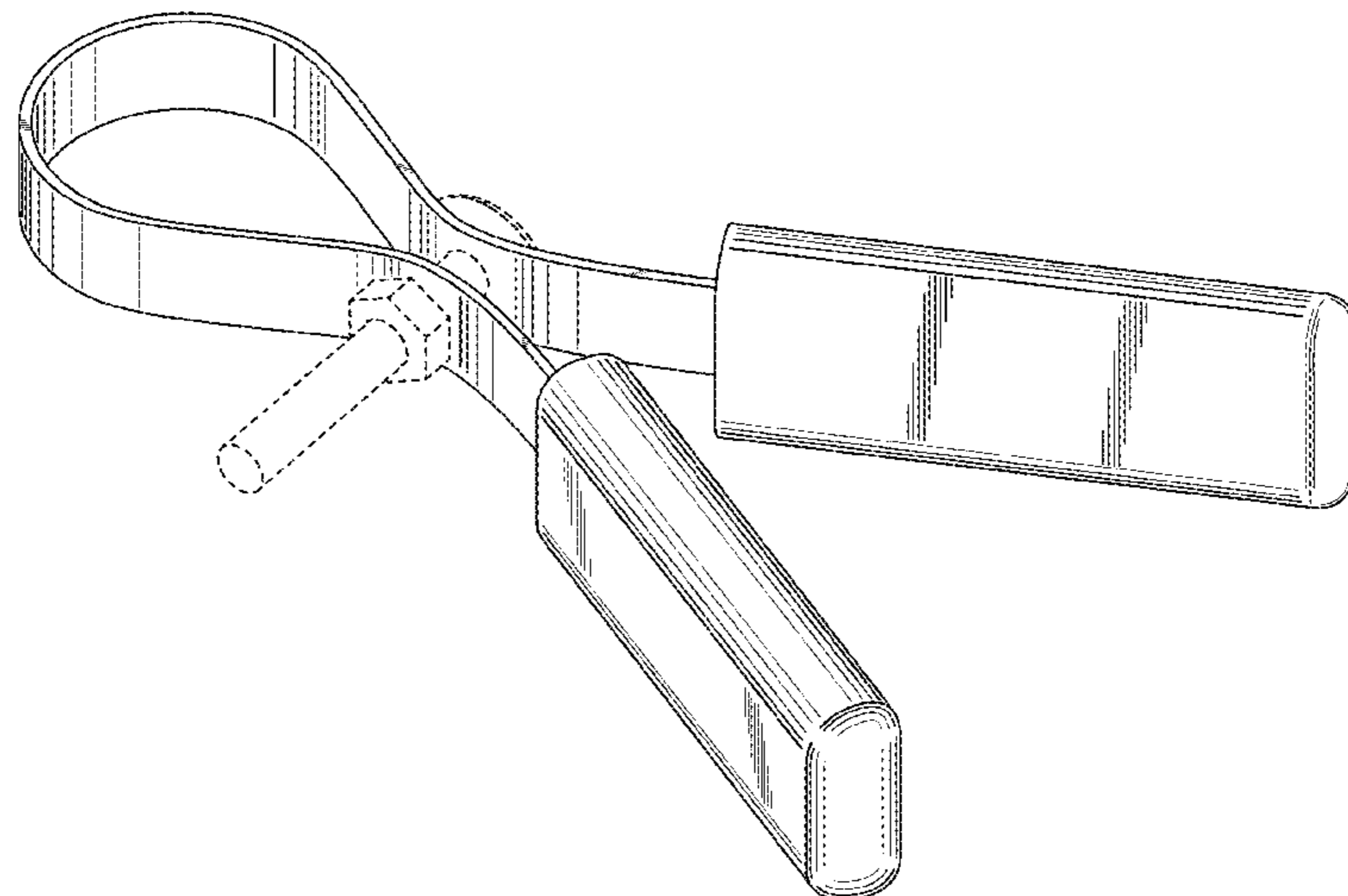
(57) **CLAIM**

The ornamental design for a tool stand, as shown and
described.

DESCRIPTION

FIG. 1 is an isometric view of a tool stand;
FIG. 2 is front view thereof;
FIG. 3 is a rear view thereof;
FIG. 4 is a left-hand side view thereof;
FIG. 5 is a right-hand side view thereof;
FIG. 6 is a top view thereof;
FIG. 7 is a bottom view thereof; and,
FIG. 8 is another isometric view of a tool stand showing a
fastener mechanism as part of the environment for illustration.
The broken lines shown in the drawings illustrate the envi-
ronment of the article and form no part of the claimed design.

1 Claim, 8 Drawing Sheets



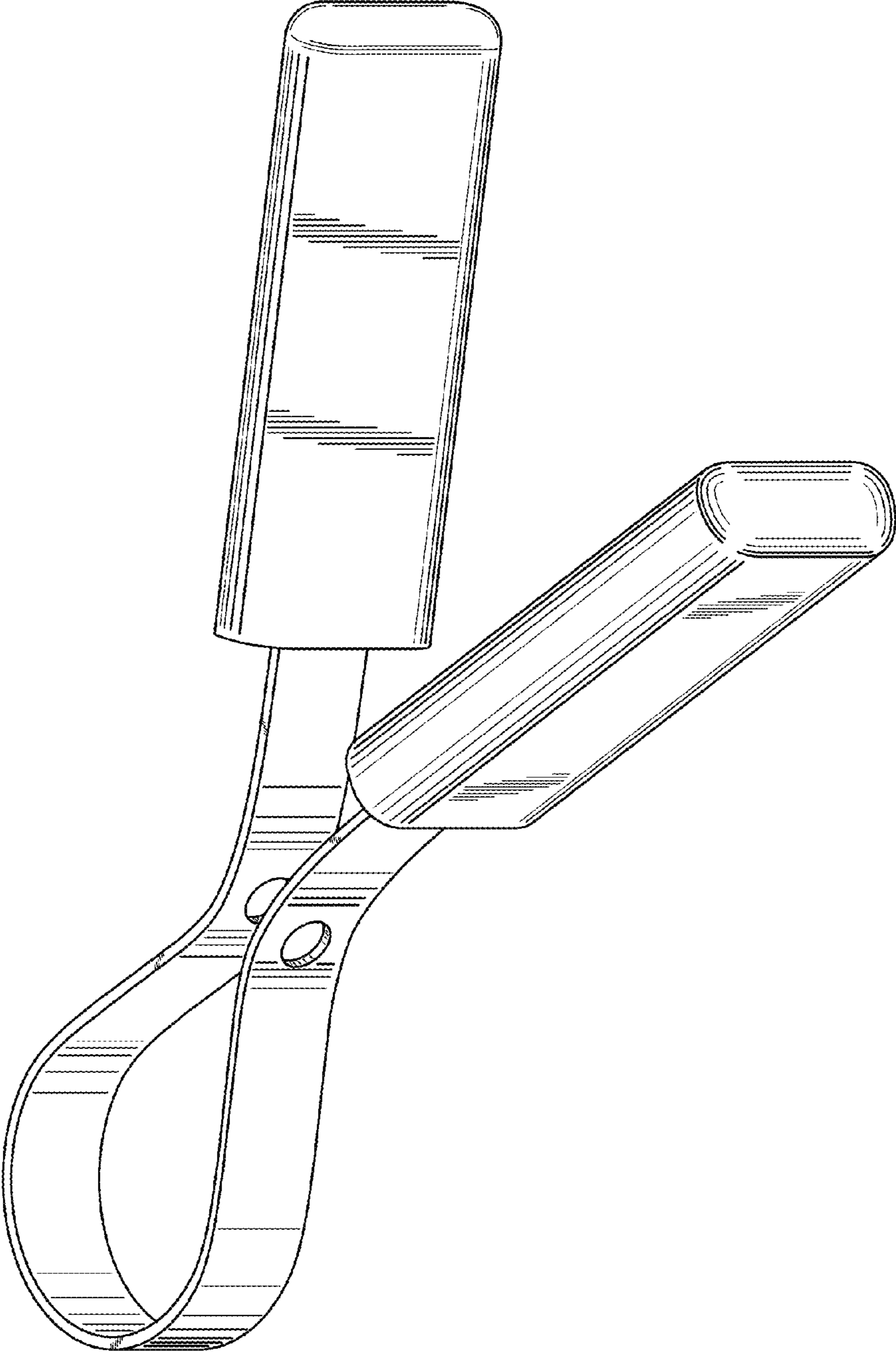


Fig. 1

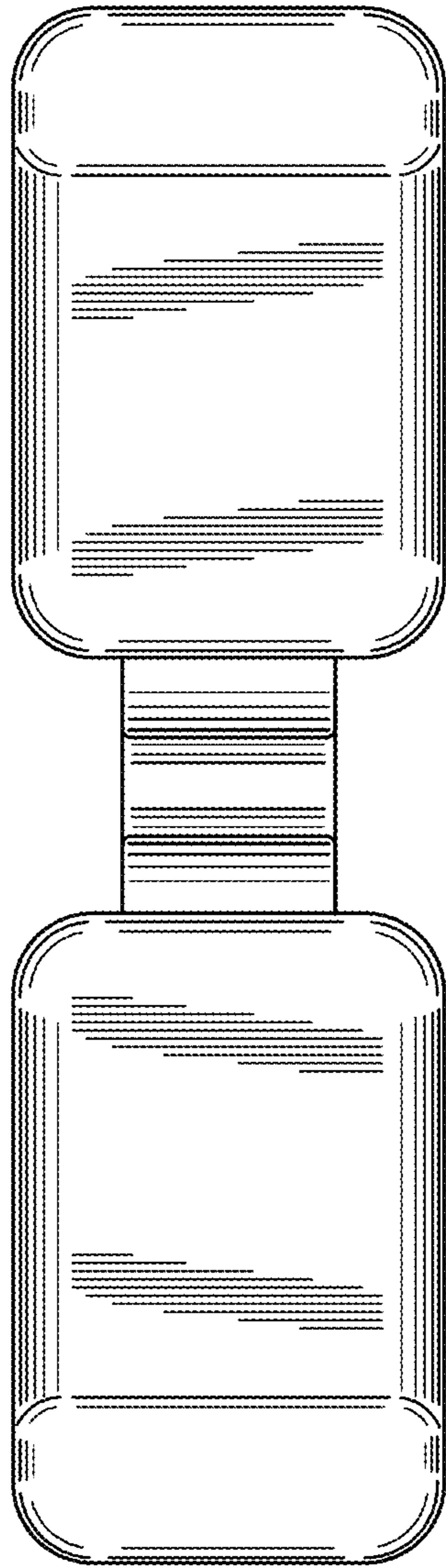


Fig. 2

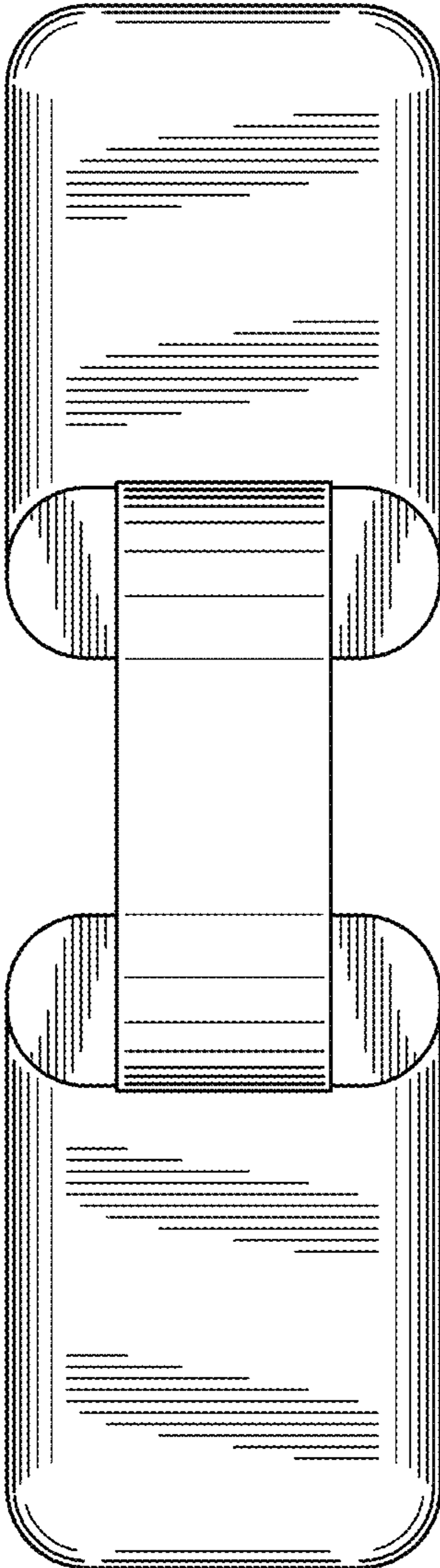


Fig. 3

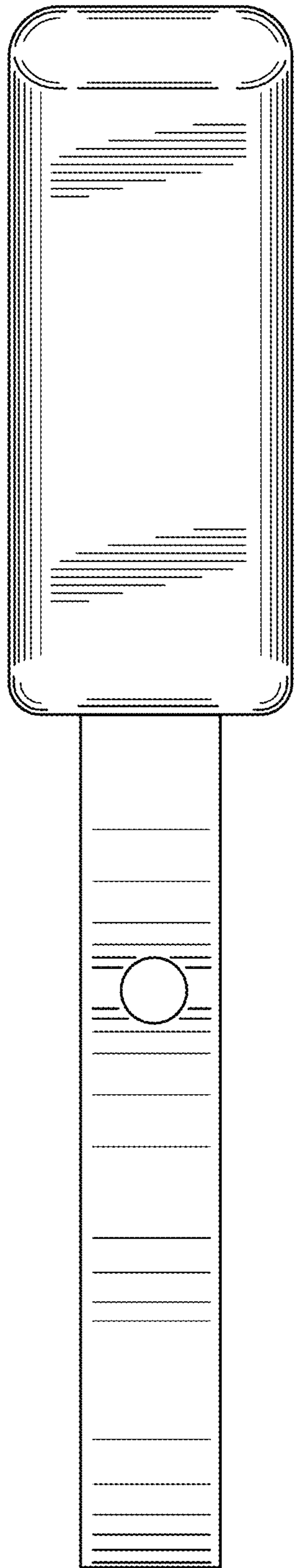


Fig. 4

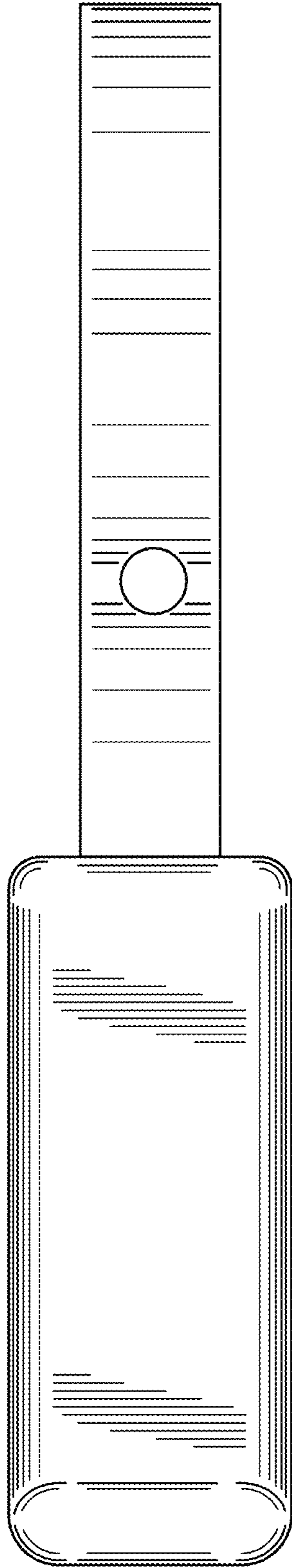


Fig. 5

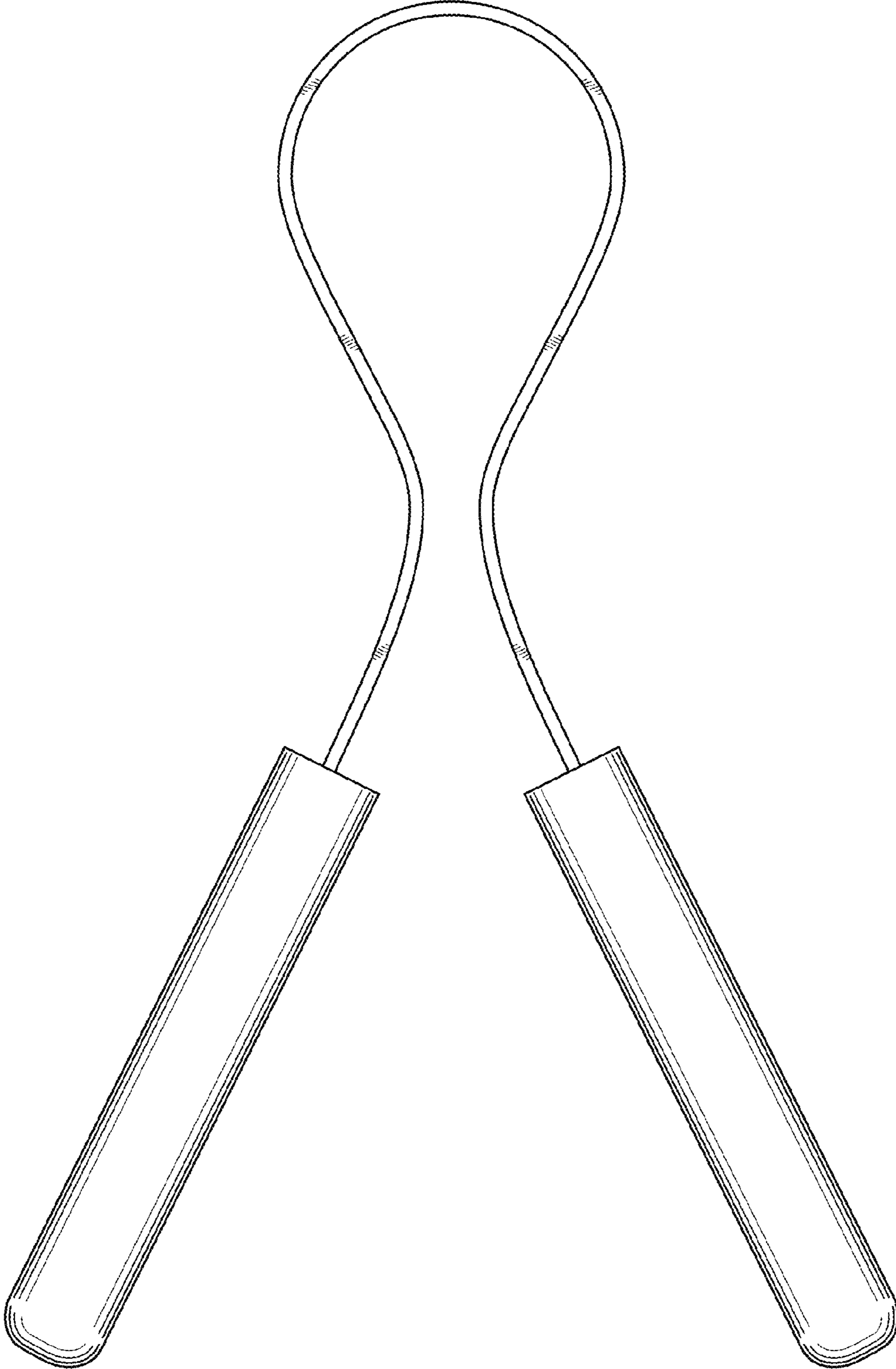


Fig. 6

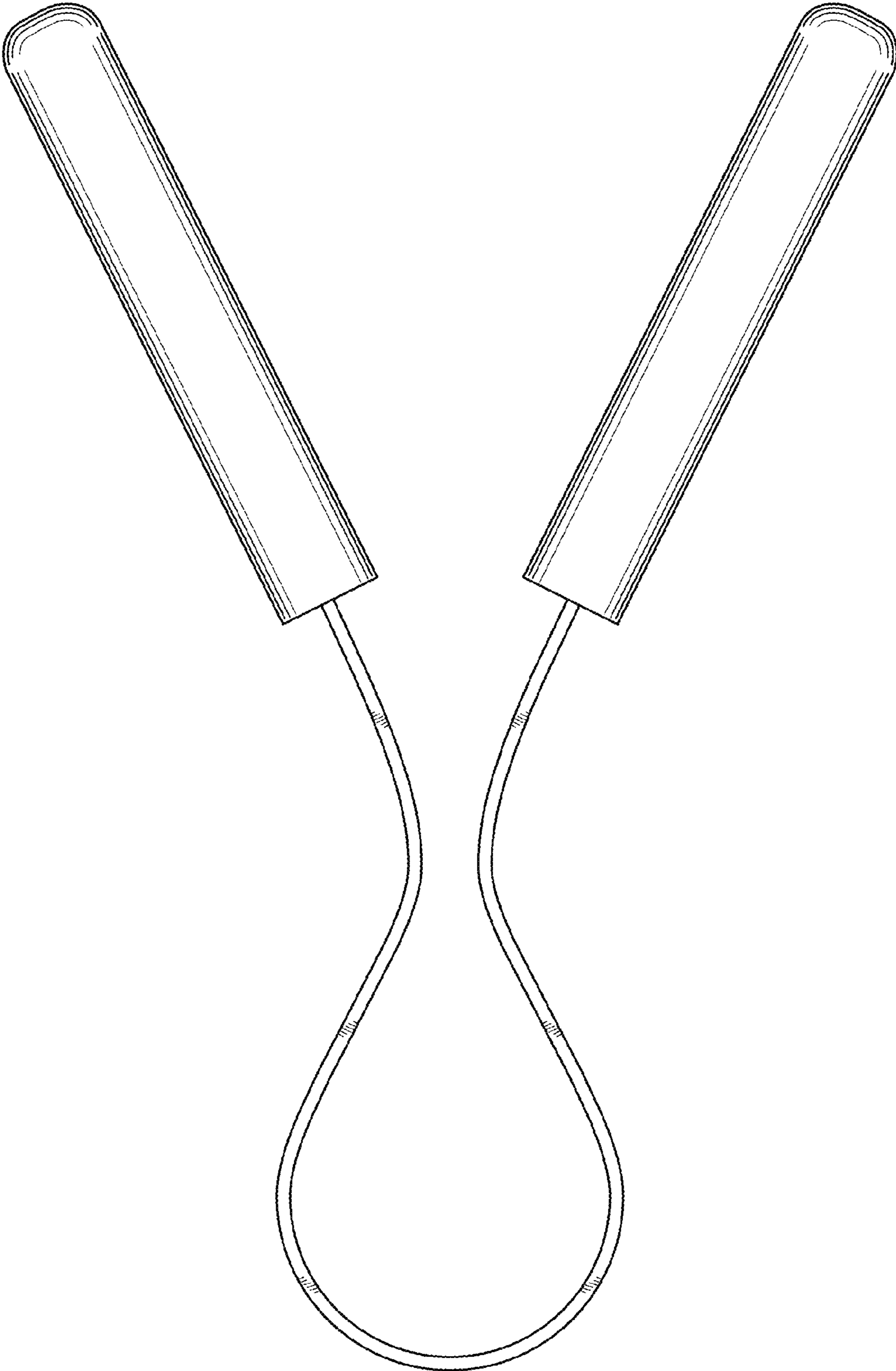


Fig. 7

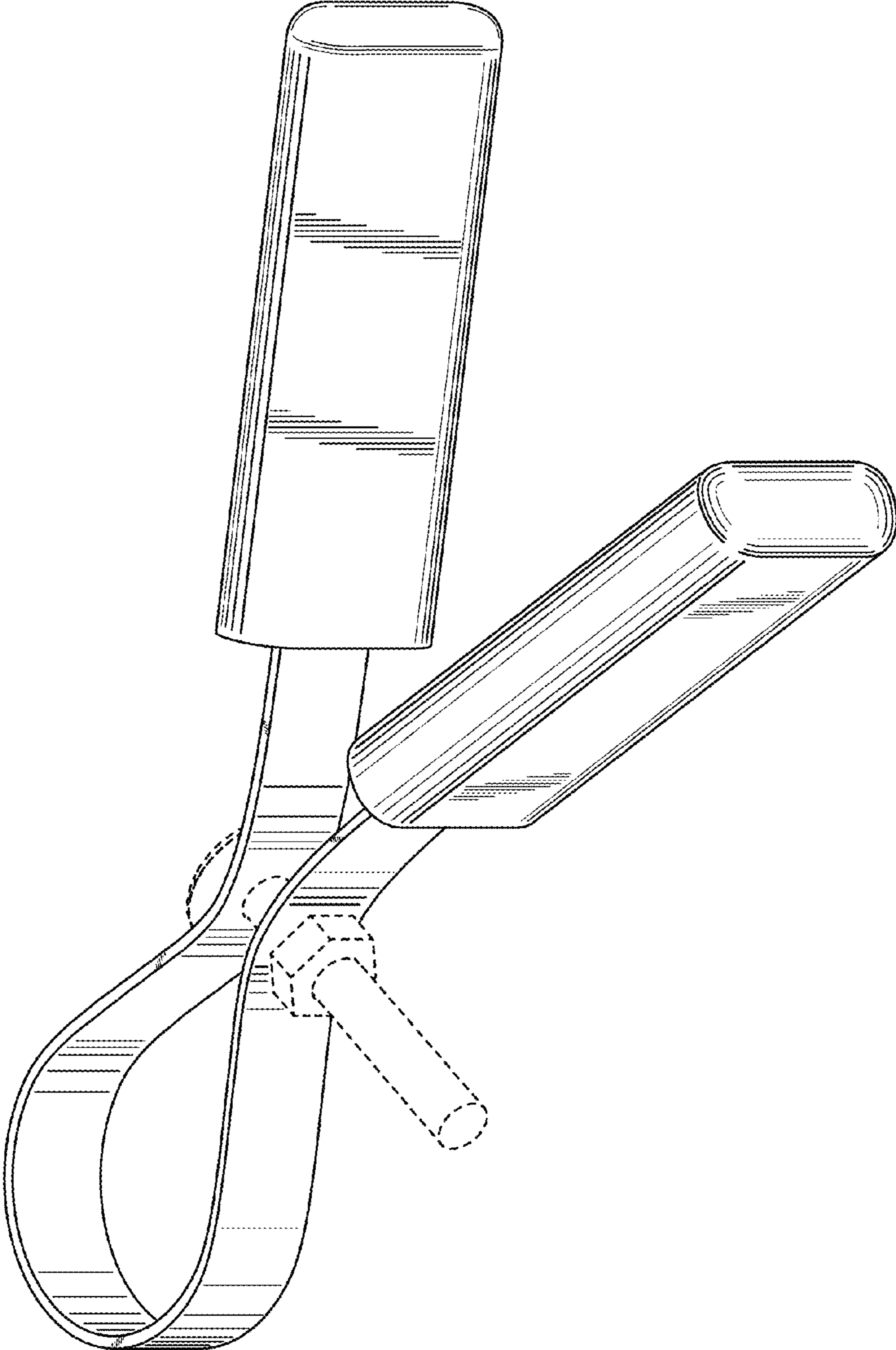


Fig. 8