



US00D747166S

(12) **United States Design Patent**  
**Huang**

(10) **Patent No.:** **US D747,166 S**  
(45) **Date of Patent:** **\*\* Jan. 12, 2016**

- (54) **SCREW TIP PROTECTOR SET**
- (71) Applicant: **Ching-Yun Huang**, Xianxi Township,  
Changhua County (TW)
- (72) Inventor: **Ching-Yun Huang**, Xianxi Township,  
Changhua County (TW)
- (\*\*) Term: **14 Years**
- (21) Appl. No.: **29/504,617**
- (22) Filed: **Oct. 8, 2014**
- (51) **LOC (10) Cl.** ..... **08-05**
- (52) **U.S. Cl.**  
USPC ..... **D8/71**
- (58) **Field of Classification Search**  
USPC ..... D3/273, 282, 284, 304-315, 901, 905;  
D6/567; D8/17, 21-29, 71, 97, 107;  
D9/415; D15/144.1; D24/230;  
16/110.1; 81/60, 110.1, 121.1, 124.3,  
81/124.6, 165-170, 176.1, 176.15, 176.2,  
81/177.1, 177.2, 177.85, 186; 219/75,  
219/121.16, 121.18, 227, 229  
CPC ..... B25H 3/003; B65D 85/20; B65D 2313/04  
See application file for complete search history.

- 5,033,629 A \* 7/1991 Caine ..... B43M 99/007  
211/69.5
- D323,245 S \* 1/1992 Hobson ..... D3/313
- D342,155 S \* 12/1993 Borawski ..... D3/260
- 5,730,302 A \* 3/1998 Groene ..... A45D 27/29  
211/60.1
- D433,065 S \* 10/2000 Mahlke ..... D19/77
- 6,702,112 B1 \* 3/2004 Henderson ..... B25H 3/003  
206/350
- 7,314,142 B2 \* 1/2008 Lyman, Jr. .... B43M 99/006  
206/214
- D576,682 S \* 9/2008 Beyer ..... D19/85
- D637,851 S \* 5/2011 Hsieh ..... D6/567
- D688,462 S \* 8/2013 Kinsky ..... D3/228
- D709,749 S \* 7/2014 Leonard ..... D8/71
- 2003/0116516 A1 \* 6/2003 Belokin ..... A47F 7/0028  
211/69.5

\* cited by examiner

*Primary Examiner* — Philip S Hyder  
*Assistant Examiner* — Darlington Ly  
(74) *Attorney, Agent, or Firm* — Leong C. Lei

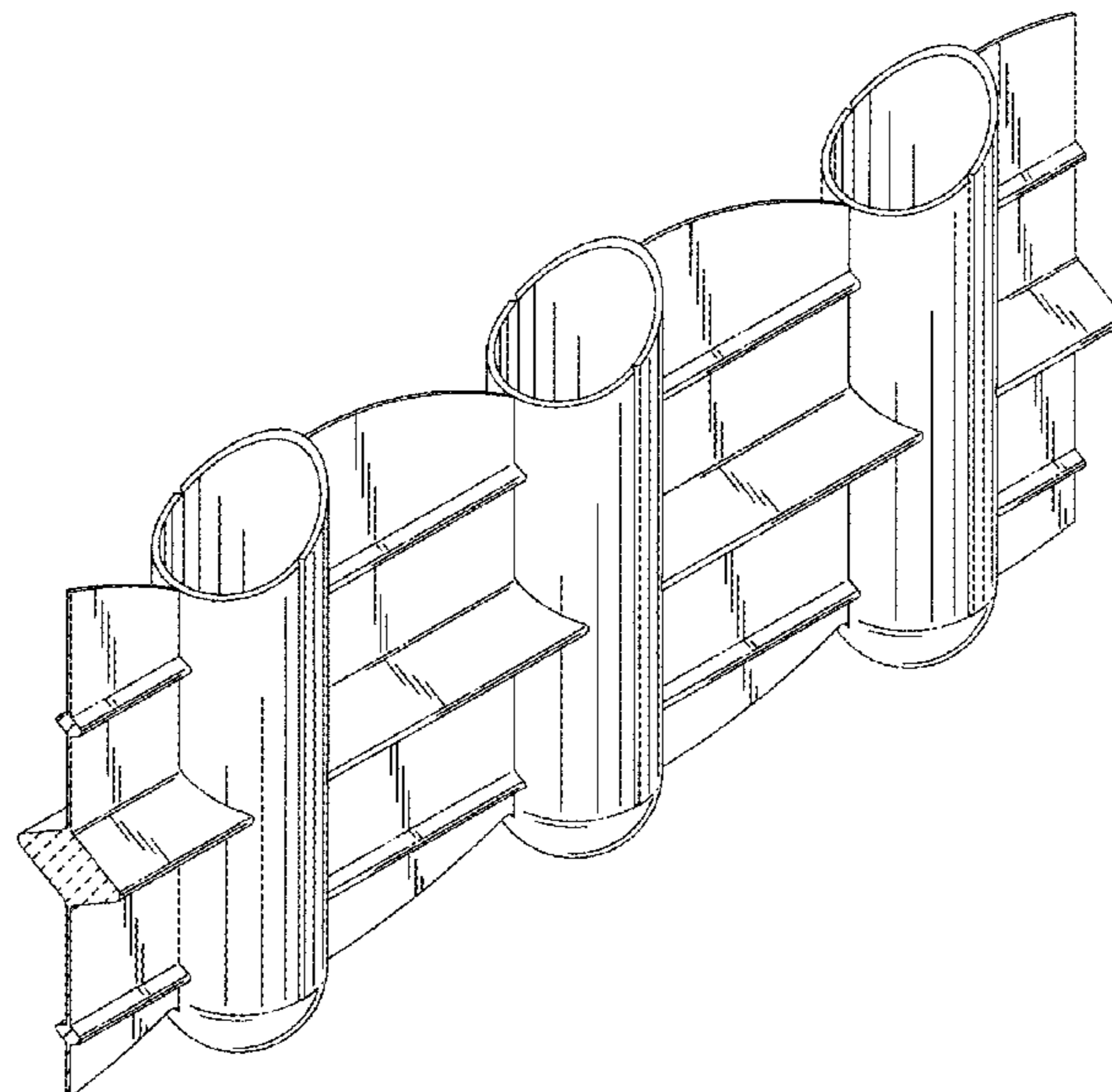
(57) **CLAIM**  
The ornamental design for a screw tip protector set, as shown and described.

**DESCRIPTION**

FIG. 1 is a front perspective view of a screw tip protector set showing my new design;  
FIG. 2 is a front elevational view thereof;  
FIG. 3 is a rear elevational view thereof;  
FIG. 4 is a left elevational view thereof;  
FIG. 5 is a right elevational view thereof;  
FIG. 6 is a top plan view thereof; and,  
FIG. 7 is a bottom plan view thereof.  
The broken lines in the drawings illustrate portions of the screw tip protector set that forms no part of the claimed design.

**1 Claim, 5 Drawing Sheets**

- (56) **References Cited**  
U.S. PATENT DOCUMENTS
- D131,029 S \* 1/1942 Russell ..... D3/224
- 2,568,089 A \* 9/1951 Pendleton ..... B01L 9/06  
206/379
- 2,959,296 A \* 11/1960 Case ..... B43K 23/001  
211/69.1
- 3,463,323 A \* 8/1969 Riepe ..... B43M 99/007  
211/69.5
- 4,415,092 A \* 11/1983 Boyer ..... B43K 23/001  
211/59.2
- D313,889 S \* 1/1991 Gakhar ..... D3/228



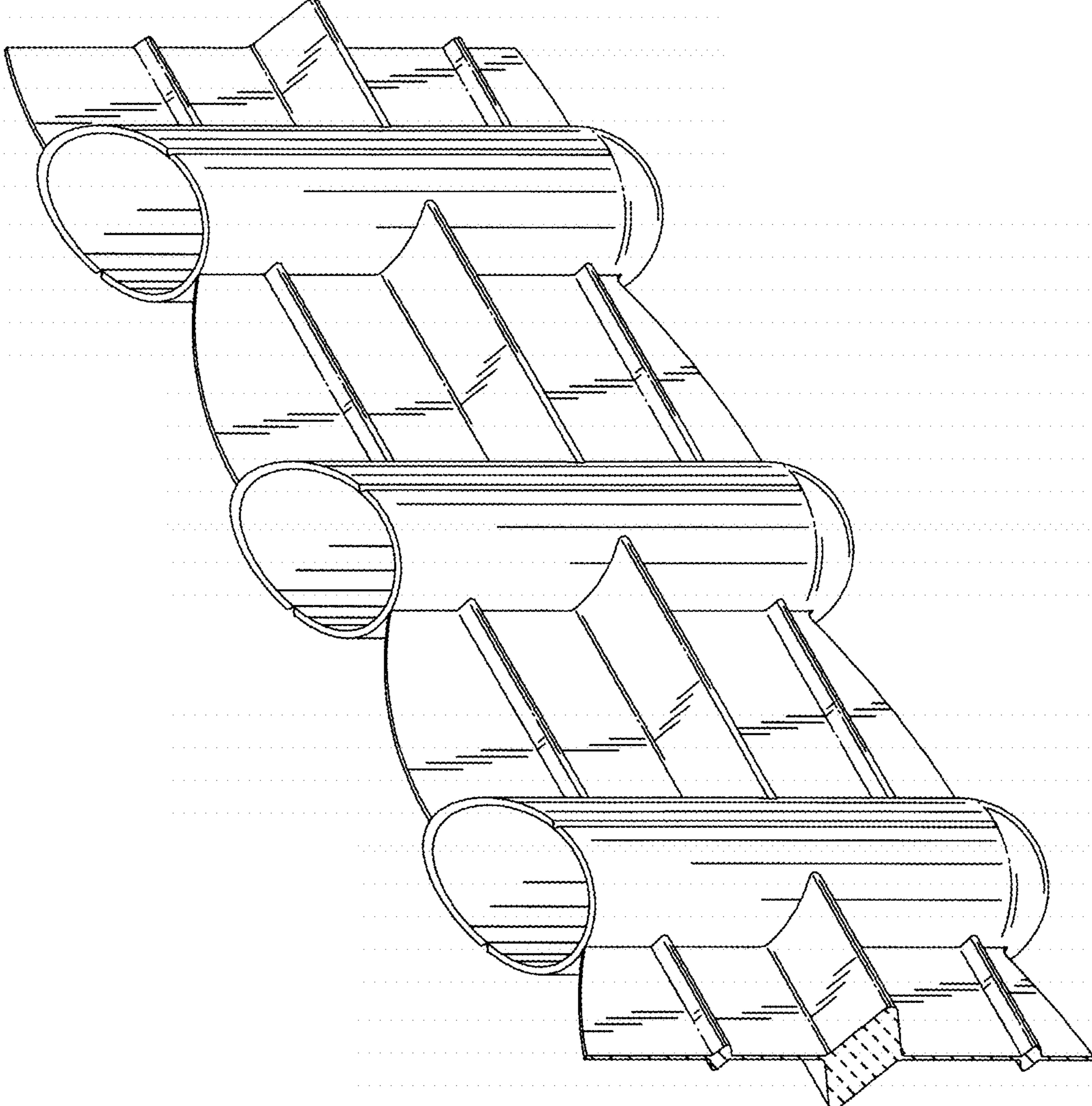


FIG. 1

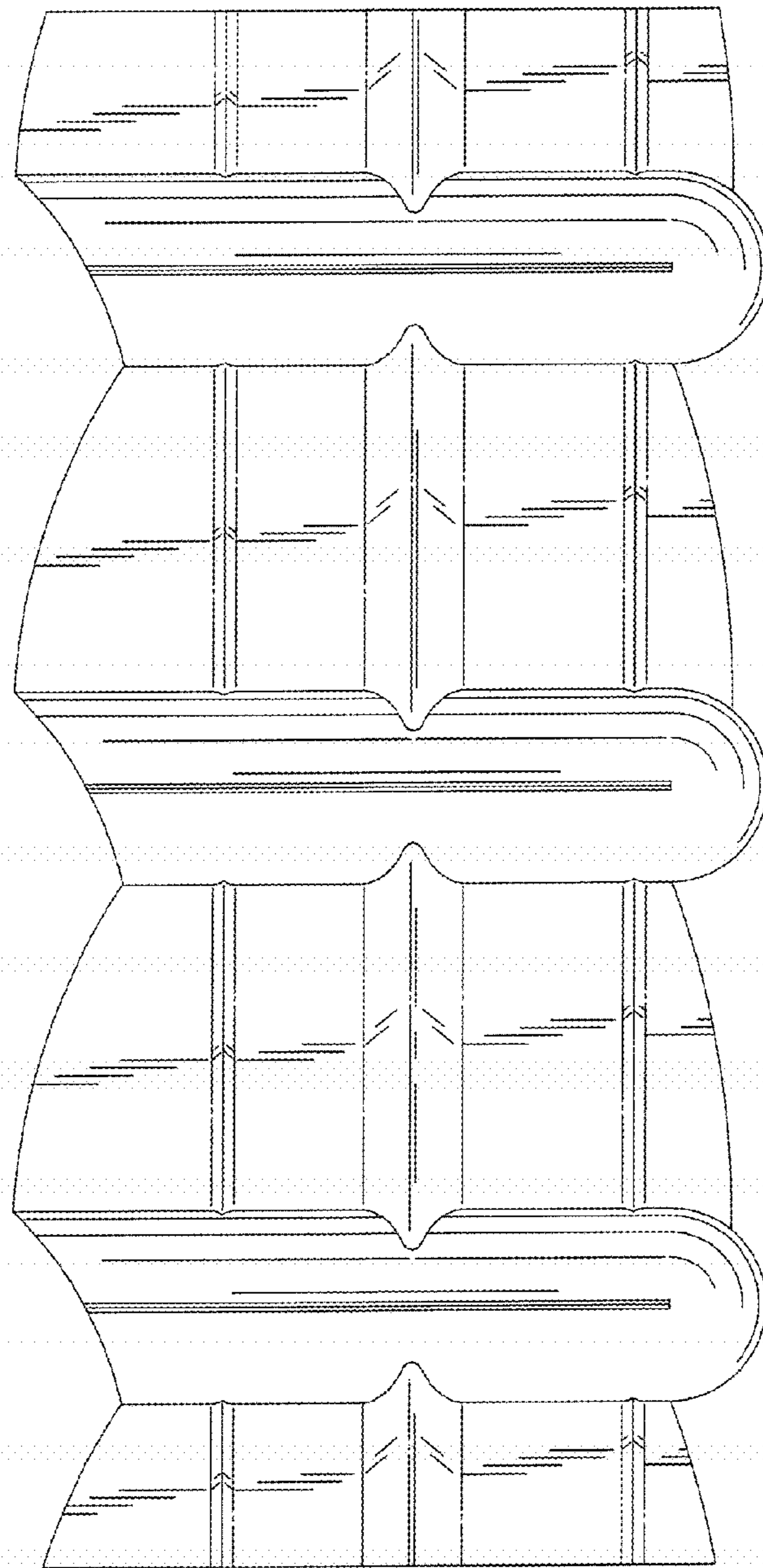


FIG. 2

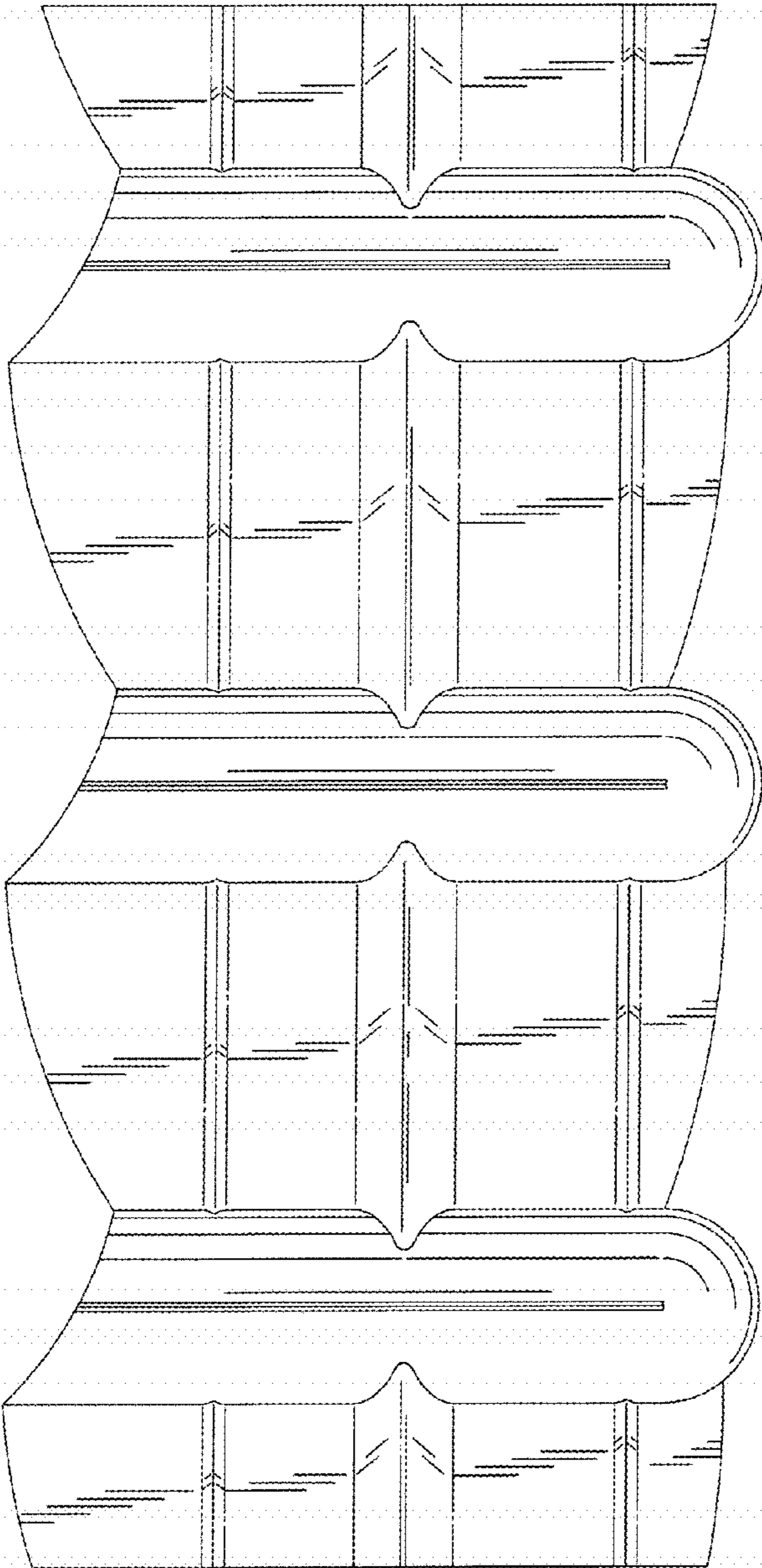


FIG. 3



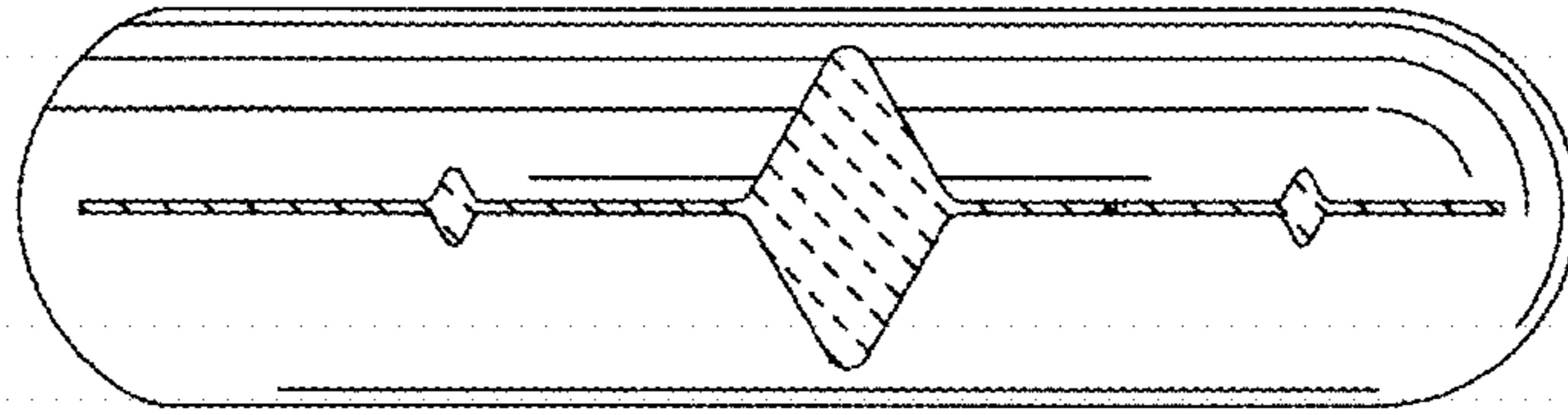


FIG. 5

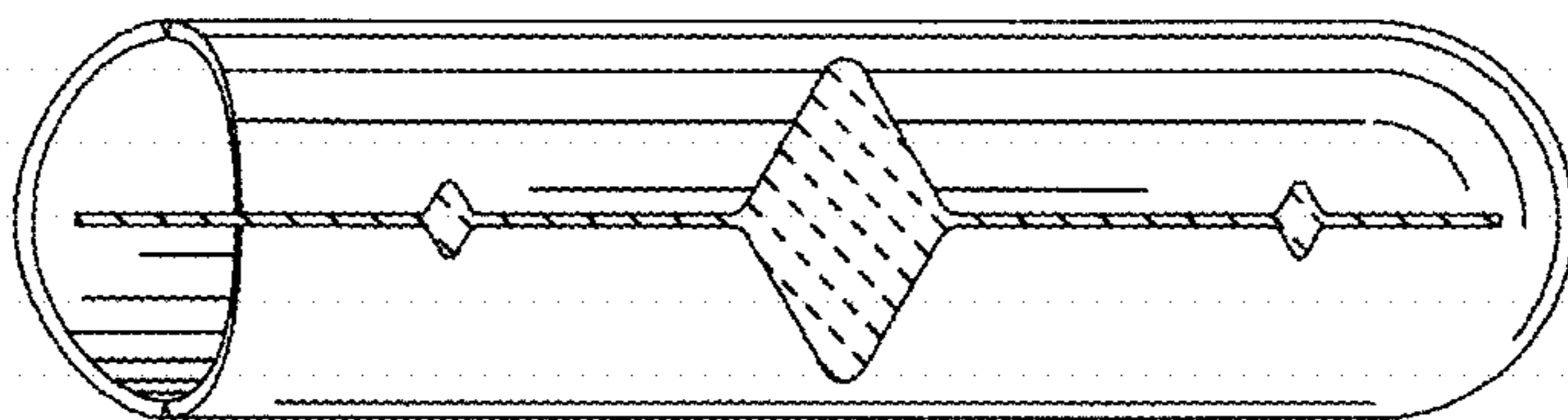


FIG. 4

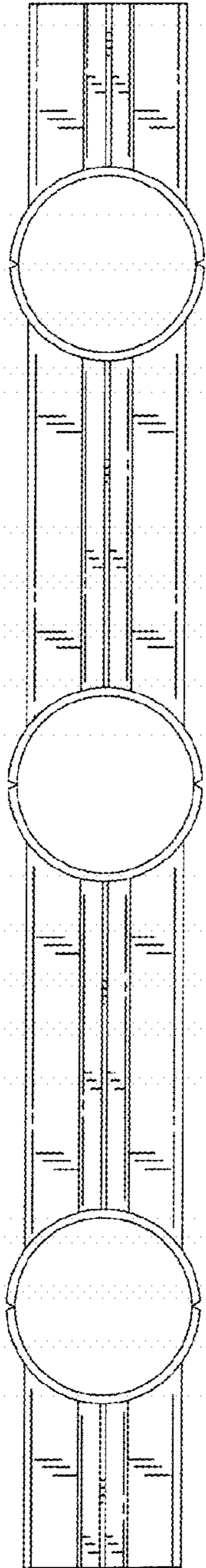


FIG. 6

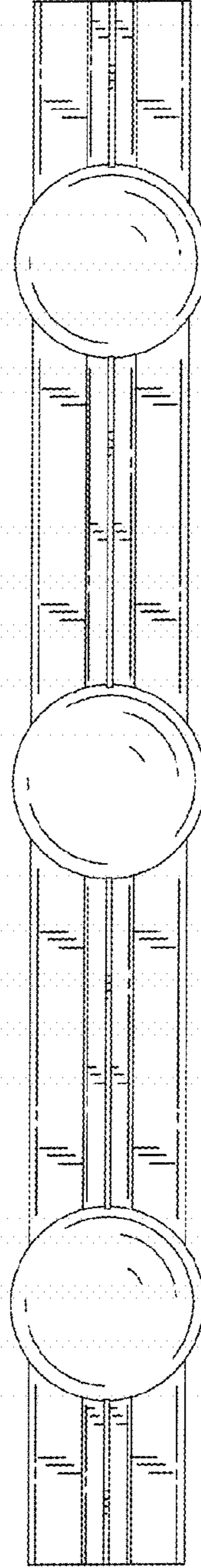


FIG. 7