



US00D747164S

(12) **United States Design Patent**
Eigenbrod

(10) **Patent No.:** **US D747,164 S**
(45) **Date of Patent:** **** Jan. 12, 2016**

(54) **TRIM LUMBER AND WALL GUARD**

(71) Applicant: **Wilfred O. Eigenbrod**, Stockbridge, VT
(US)

(72) Inventor: **Wilfred O. Eigenbrod**, Stockbridge, VT
(US)

(**) Term: **14 Years**

(21) Appl. No.: **29/516,031**

(22) Filed: **Jan. 29, 2015**

(51) **LOC (10) Cl.** **08-05**

(52) **U.S. Cl.**
USPC **D8/14**

(58) **Field of Classification Search**
USPC D8/14, 17, 71, 349, 354, 382
CPC B25C 3/008; B25C 9/00
See application file for complete search history.

(56) **References Cited**

U.S. PATENT DOCUMENTS

874,613	A	12/1907	McColm	
1,106,383	A	2/1912	Wellman	
1,264,904	A	5/1918	DeStefan	
2,538,743	A *	1/1951	Alston	118/504
2,716,750	A	9/1955	Biblis	
2,878,476	A	3/1959	Auchard	
2,101,496	A	11/1961	Bruce	
3,731,723	A	5/1973	Lemanhec	
4,004,624	A	1/1977	Holstein	
4,008,741	A	2/1977	Holstein	
4,079,764	A	3/1978	Hayes	
D257,758	S	1/1981	Limacher	
4,282,615	A	8/1981	Tom	
D262,597	S *	1/1982	Rangel	D8/14
4,398,495	A *	8/1983	Harris et al.	118/504
4,422,489	A	12/1983	Ross	
D275,930	S *	10/1984	Sheppard	D8/16
4,493,353	A	1/1985	Thomas	
4,766,782	A	8/1988	Tanner	
5,153,974	A	10/1992	Follens	
5,284,070	A	2/1994	Rieck	
D364,654	S *	11/1995	Boden	D21/405
5,671,641	A	9/1997	Stephenson, Jr.	
5,933,894	A	8/1999	Bates	

6,318,479	B1 *	11/2001	Giardino et al.	173/93
6,520,050	B1	2/2003	Gildroy	
7,467,573	B1	12/2008	Lee	
8,464,612	B2	6/2013	Chase	
2005/0035221	A1 *	2/2005	Gathright	239/461
2011/0226095	A1	9/2011	Chen	
2013/0220080	A1	8/2013	Wang	

FOREIGN PATENT DOCUMENTS

GB 2 277 015 A 10/1994

OTHER PUBLICATIONS

Al's Plumbing, "Protector Plate", alsplumbing.com, Jul. 11, 2012.
"Self-Nailing Stud Guard", supplyhouse.com, SKU33895, Brand: Oatey.
"Protection Plate", rona.ca, Article #0320150, Model #66-RP.
"10' x 1.62" x 1.62" 14 Gauge Slotted Angle", fastenersafety.com, Product Code: DSA140-10.

* cited by examiner

Primary Examiner — Phillip S Hyder

(74) Attorney, Agent, or Firm — Doherty, Wallace, Pillsbury & Murphy, P.C.

(57) **CLAIM**

The ornamental design for trim lumber and wall guard, as shown and described.

DESCRIPTION

FIG. 1 is a top, front perspective view of a trim lumber and wall guard showing my new design;
FIG. 2 is a bottom, rear perspective view thereof;
FIG. 3 is front elevation view thereof;
FIG. 4 is a top plan view thereof;
FIG. 5 is a right side elevation view thereof;
FIG. 6 is a bottom plan view thereof;
FIG. 7 is a rear elevation view thereof; and,
FIG. 8 is a left side elevation view thereof.
The broken lines depict portions of the trim lumber and wall guard in which the design is embodied that are not considered part of the claimed design.

1 Claim, 4 Drawing Sheets

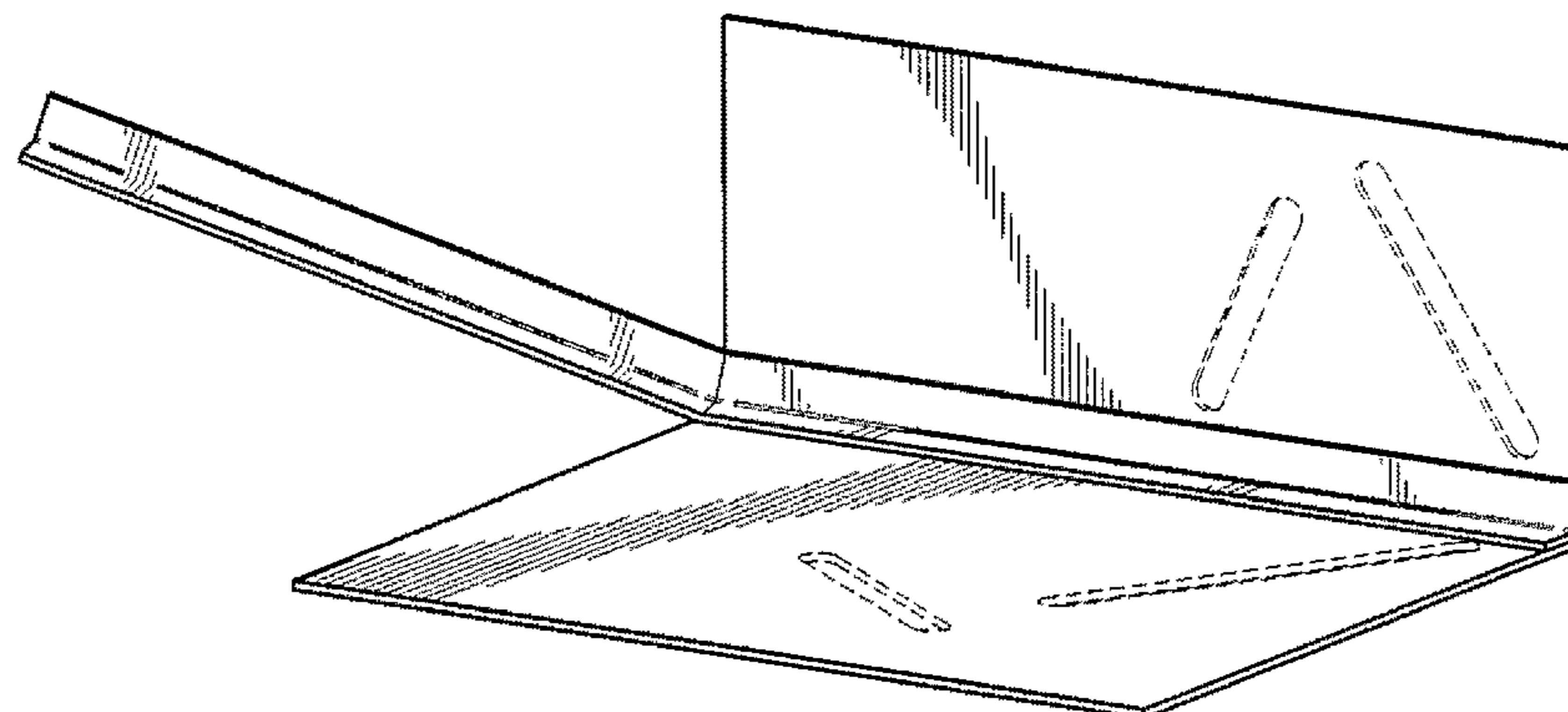


FIG. 1

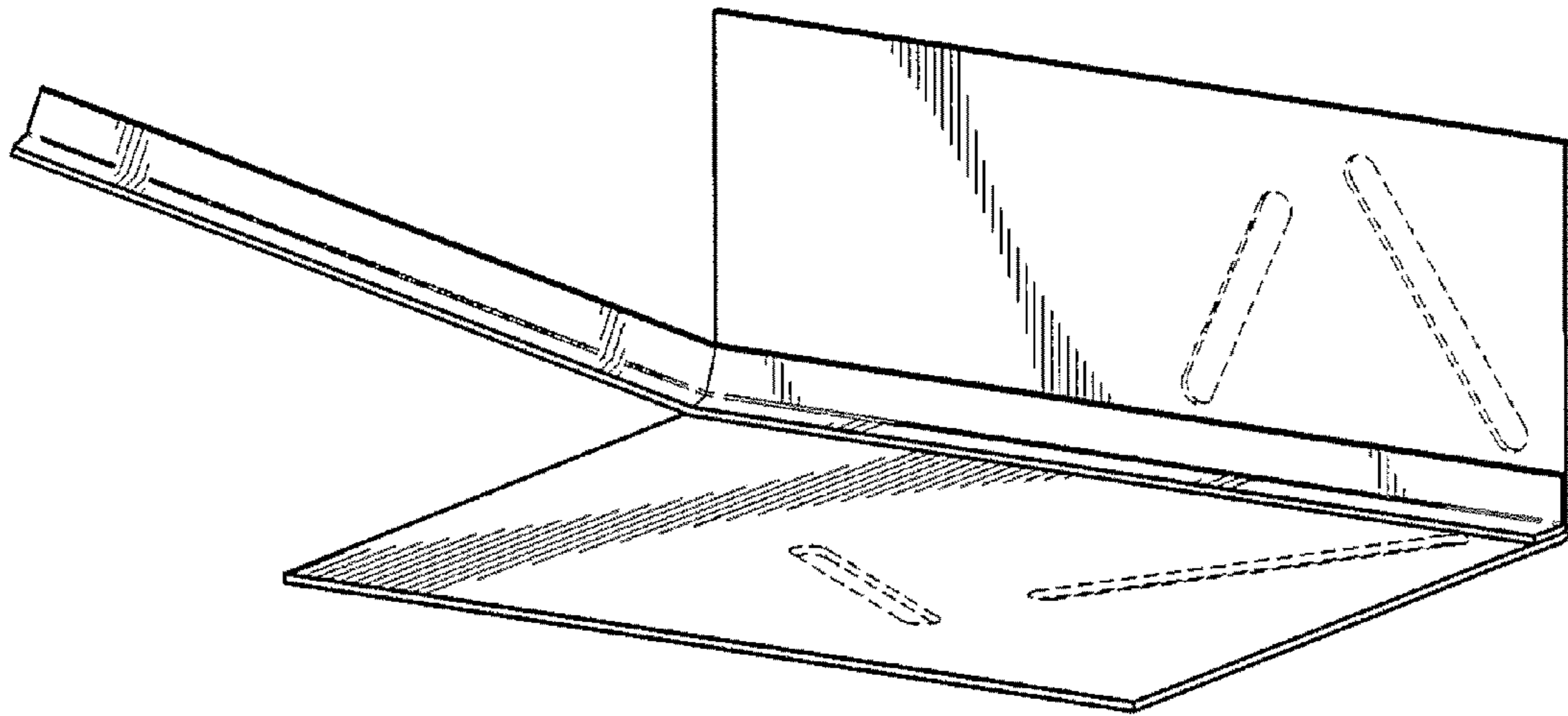


FIG. 2

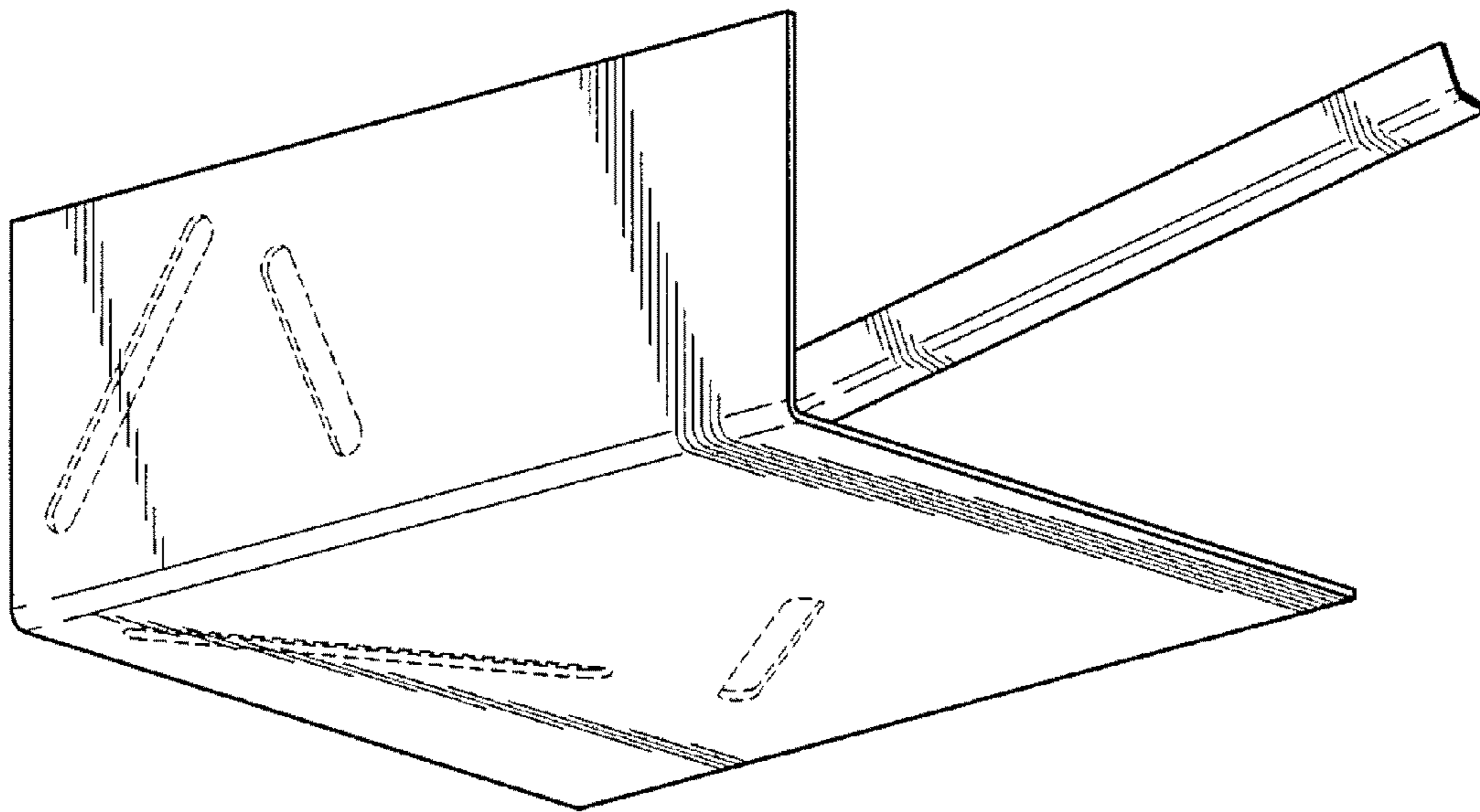


FIG. 3

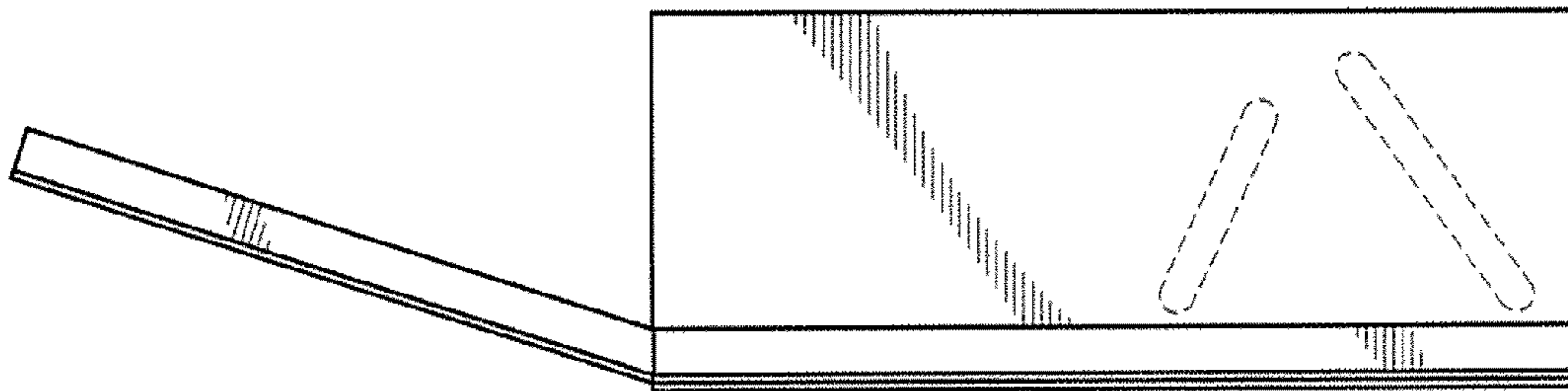


FIG. 4

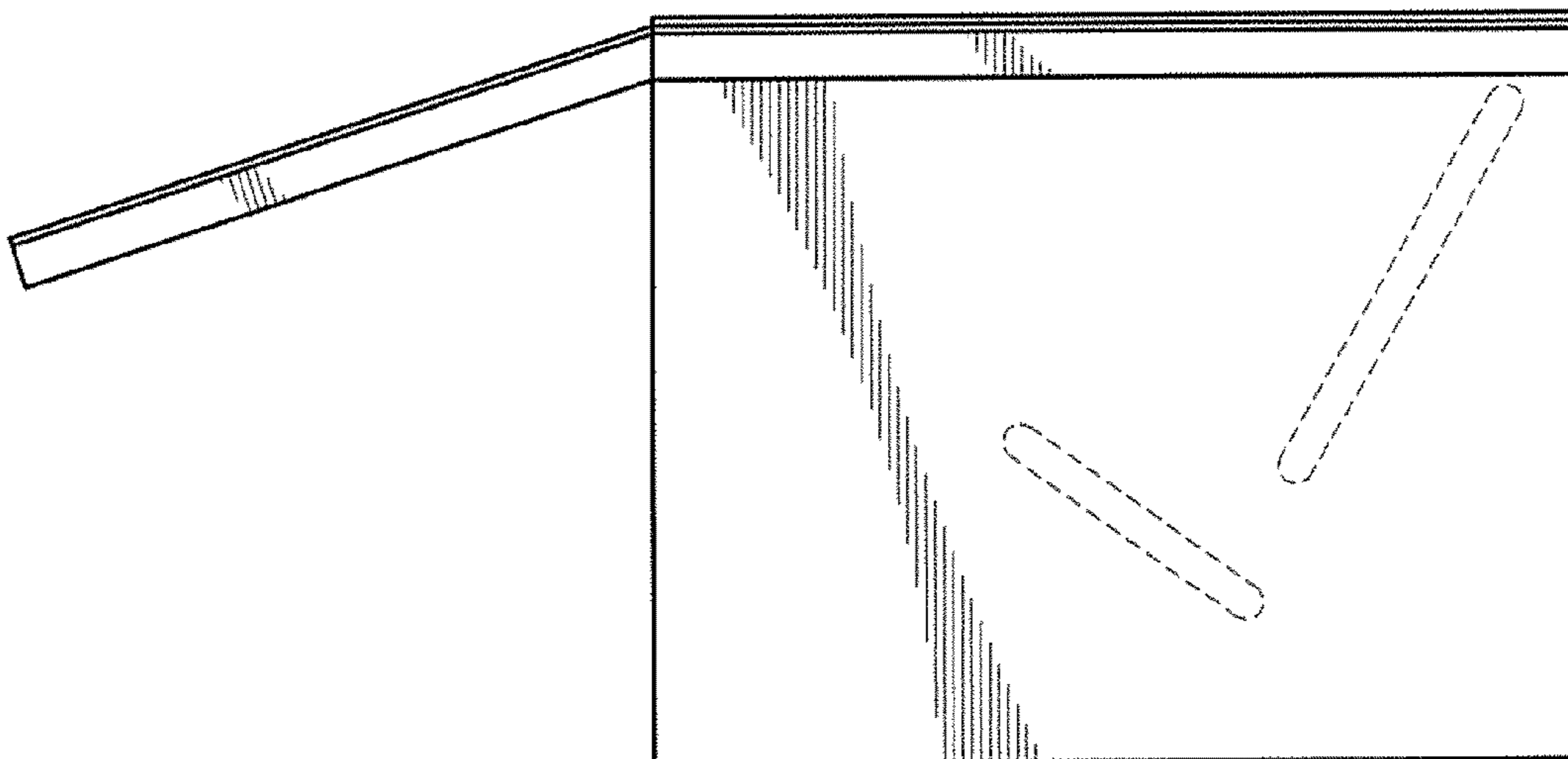


FIG. 5

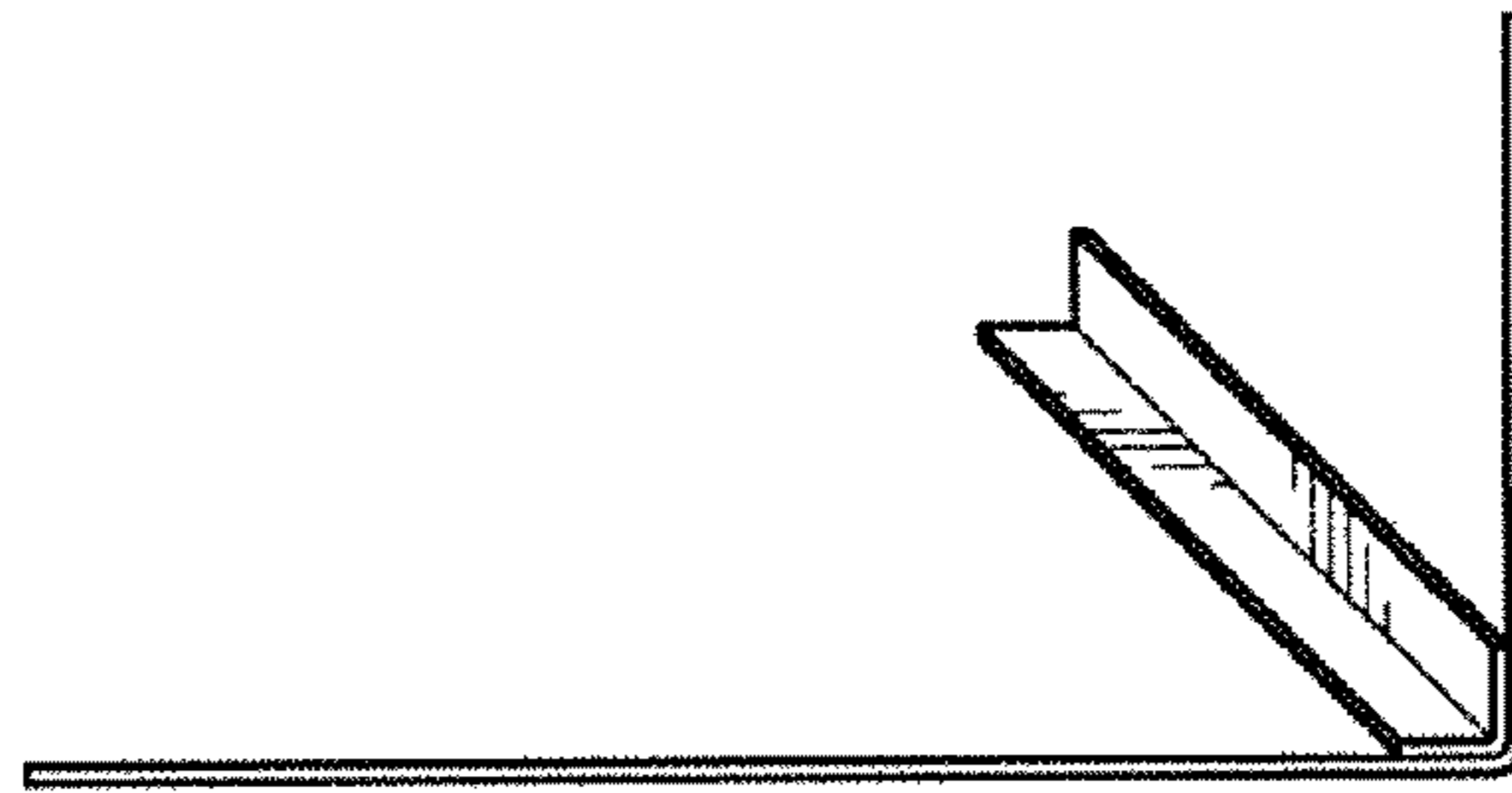


FIG. 6

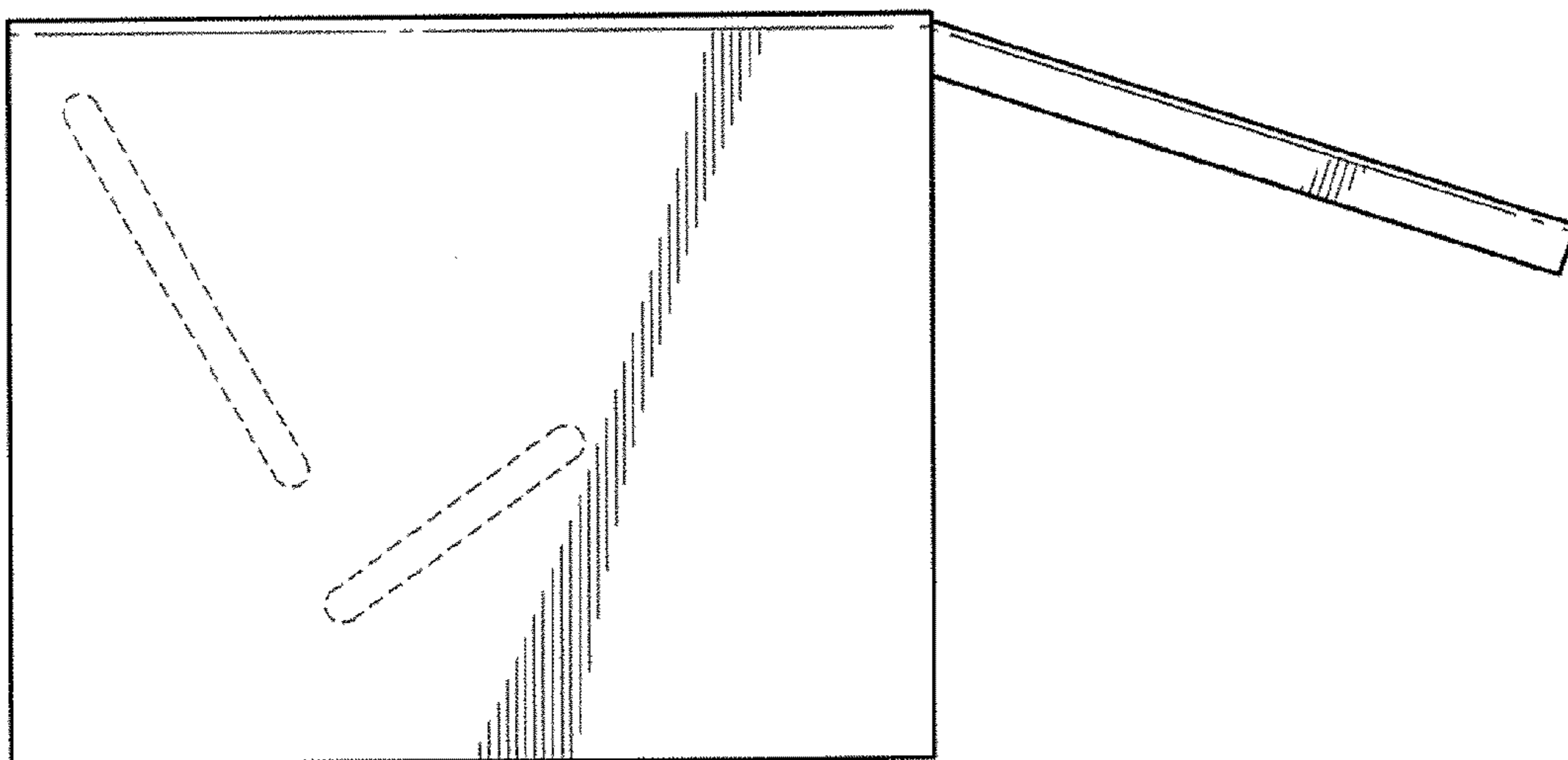


FIG. 7

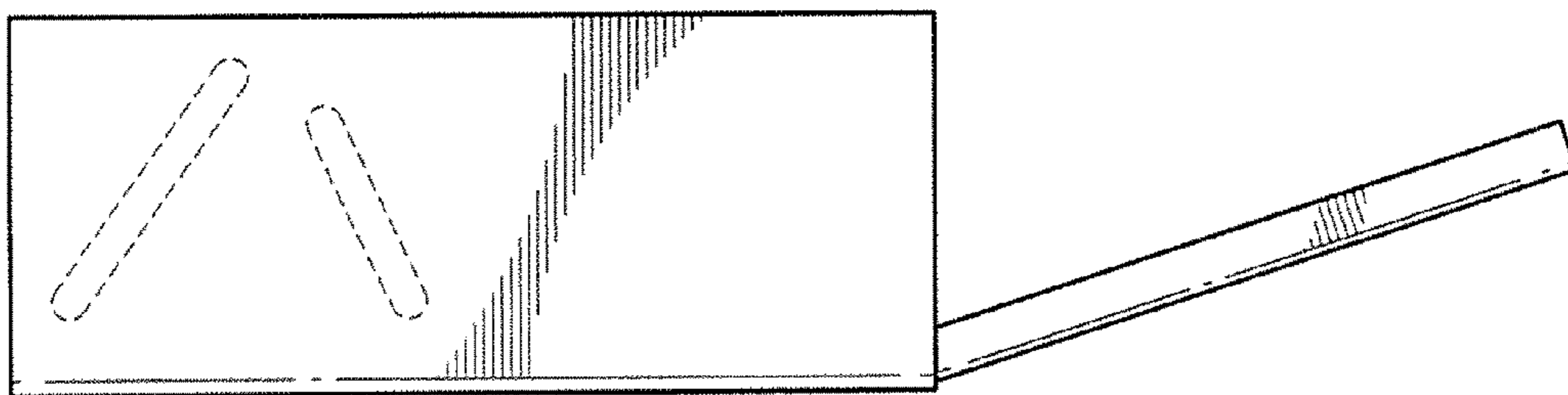


FIG. 8

