



US00D747163S

(12) **United States Design Patent**
Welch

(10) **Patent No.:** **US D747,163 S**
(45) **Date of Patent:** **** Jan. 12, 2016**

- (54) **HEAD PORTION OF A SHOVEL**
- (71) Applicant: **James Douglas Welch**, Austin, TX (US)
- (72) Inventor: **James Douglas Welch**, Austin, TX (US)
- (73) Assignee: **GETAGADGET INCORPORATED**,
Austin, TX (US)
- (**) Term: **14 Years**
- (21) Appl. No.: **29/488,498**
- (22) Filed: **Apr. 19, 2014**
- (51) **LOC (10) Cl.** **08-01**
- (52) **U.S. Cl.**
USPC **D8/10; D21/532**
- (58) **Field of Classification Search**
USPC D8/18, 19, 10, 11, 6, 7, 9; D21/532,
D21/599, 597, 658, 659
CPC A01B 1/02; A01B 1/22; A01B 1/225;
A01B 1/24; A01B 1/00; A63H 33/32
See application file for complete search history.

(56) **References Cited**

U.S. PATENT DOCUMENTS

| | | | | |
|--------------|---------|-------------------|-------|---------|
| D334,696 S * | 4/1993 | Makris | | D8/38 |
| D433,800 S * | 11/2000 | Chapman | | D3/216 |
| D433,899 S * | 11/2000 | Saffron et al. | | D8/38 |
| D611,790 S * | 3/2010 | Welch | | D8/38 |
| D653,510 S * | 2/2012 | Huff | | D8/10 |
| D658,956 S * | 5/2012 | Welch | | D8/38 |
| D673,018 S * | 12/2012 | Zang | | D8/10 |
| D684,441 S * | 6/2013 | Baker | | D8/10 |
| D699,033 S * | 2/2014 | Welch | | D3/216 |
| D699,086 S * | 2/2014 | Christopher | | D8/10 |
| D699,528 S * | 2/2014 | Randolph et al. | | D8/10 |
| D710,664 S * | 8/2014 | Licciardello, Jr. | | D8/10 |
| D731,002 S * | 6/2015 | Phillips | | D21/599 |

* cited by examiner

Primary Examiner — Sheryl Lane

Assistant Examiner — Ieisha Price

(74) *Attorney, Agent, or Firm* — David O. Simmons

(57) **CLAIM**

The ornamental design for a head portion of a shovel, as shown and described.

DESCRIPTION

FIG. 1 is a top perspective view of a head portion of a shovel in accordance with a first embodiment of the present invention.

FIG. 2 is an enlarged top perspective view of the head portion of a shovel as shown in FIG. 1.

FIG. 3 is a top view of the head portion of a shovel as shown in FIG. 2.

FIG. 4 is a bottom view of the head portion of a shovel as shown in FIG. 2.

FIG. 5 is a right side view of the head portion of a shovel as shown in FIG. 4.

FIG. 6 is a left side view of the head portion of a shovel as shown in FIG. 4.

FIG. 7 is a rear view of the head portion of a shovel as shown in FIG. 4.

FIG. 8 is a front view of the head portion of a shovel as shown in FIG. 4.

FIG. 9 is a top perspective view of a head portion of a shovel in accordance with a second embodiment of the present invention.

FIG. 10 is an enlarged top perspective view of the head portion of a shovel as shown in FIG. 9.

FIG. 11 is a top view of the head portion of a shovel as shown in FIG. 10.

FIG. 12 is a bottom view of the head portion of a shovel as shown in FIG. 10.

FIG. 13 is a right side view of the head portion of a shovel as shown in FIG. 12.

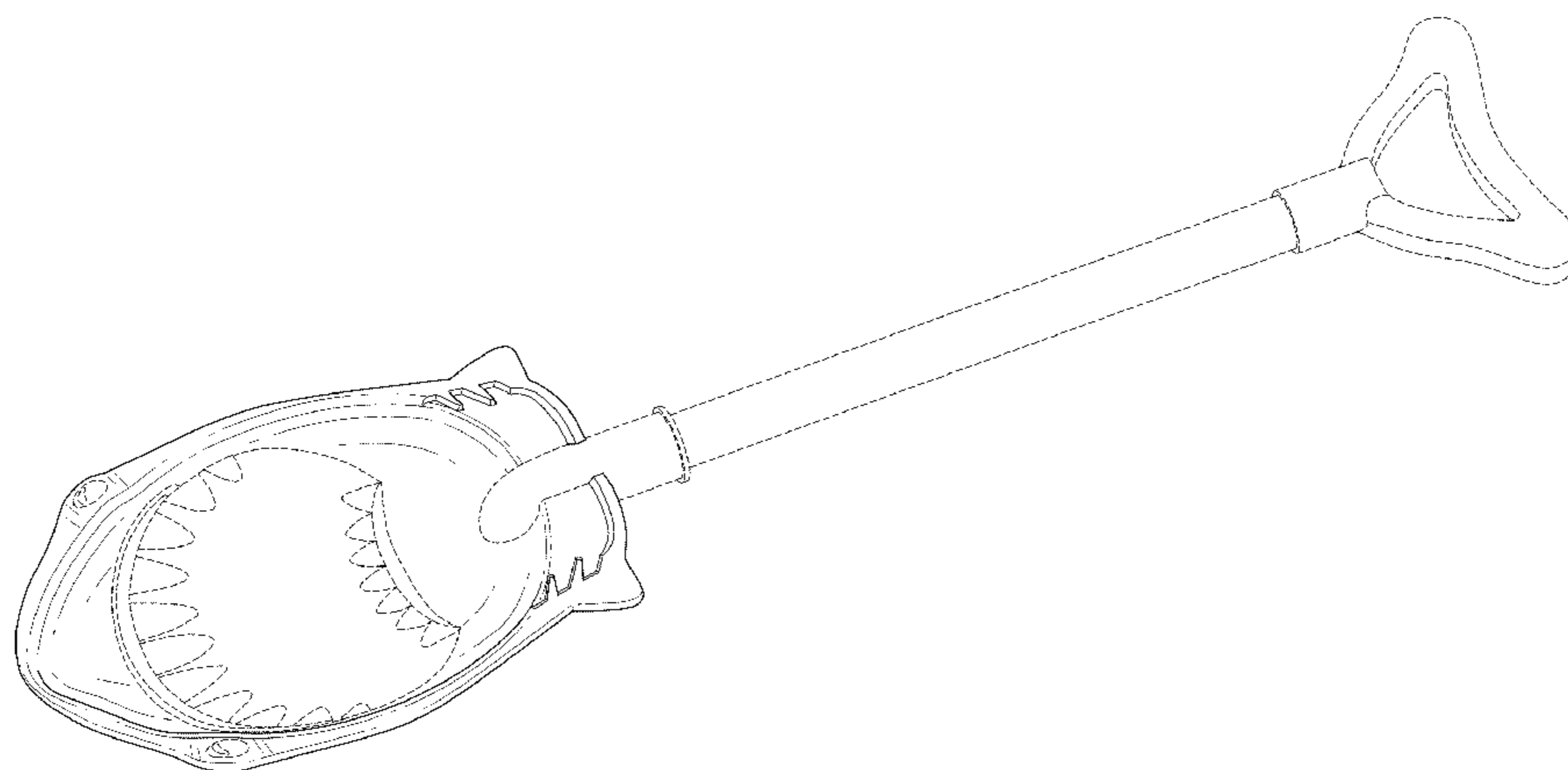
FIG. 14 is a left side view of the head portion of a shovel as shown in FIG. 12.

FIG. 15 is a rear view of the head portion of a shovel as shown in FIG. 12; and,

FIG. 16 is a front view of the head portion of a shovel as shown in FIG. 12.

The broken lines in the drawings illustrate portions of the head portion of a shovel and form no part of the claimed design.

1 Claim, 12 Drawing Sheets



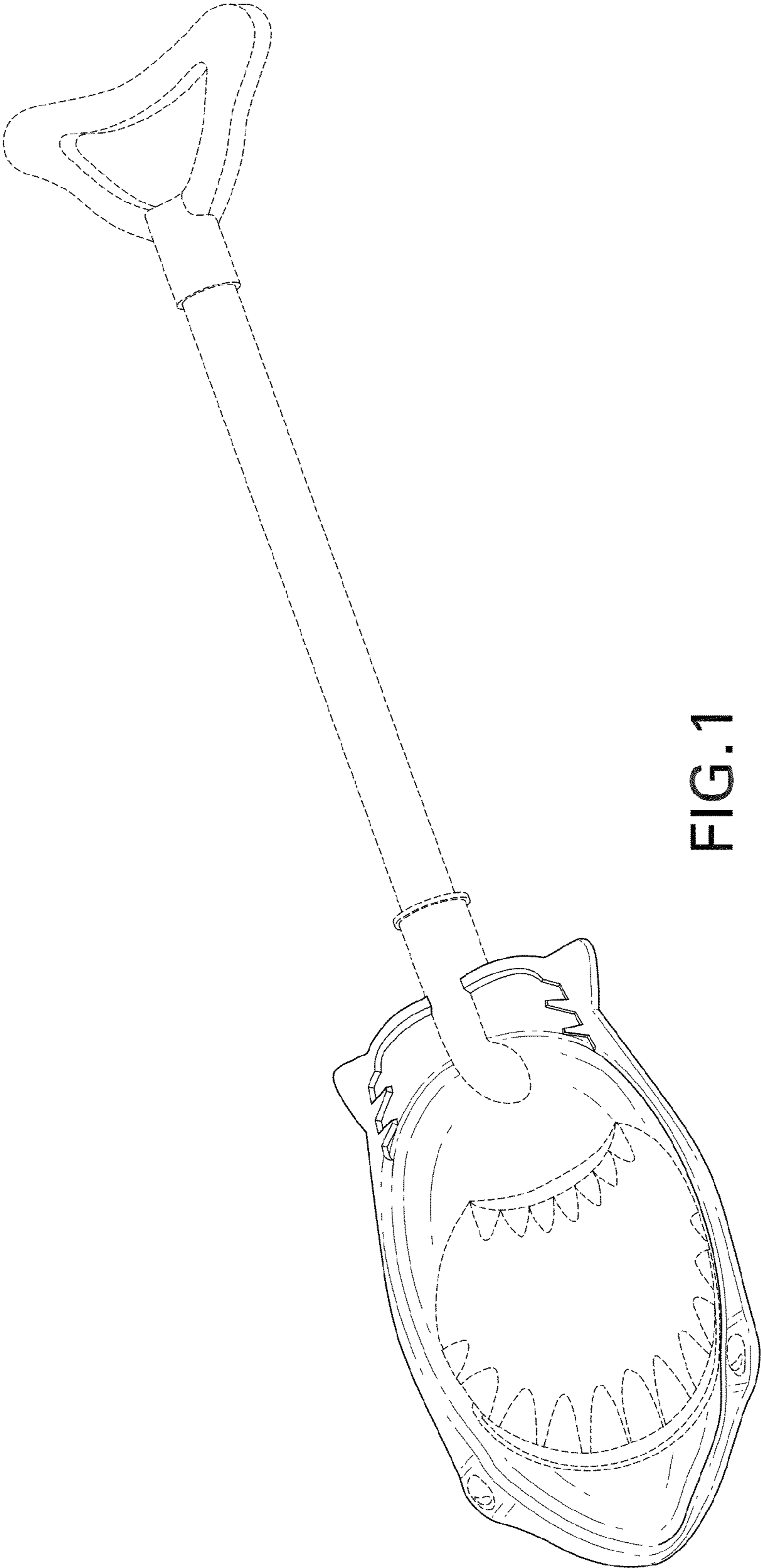


FIG. 1

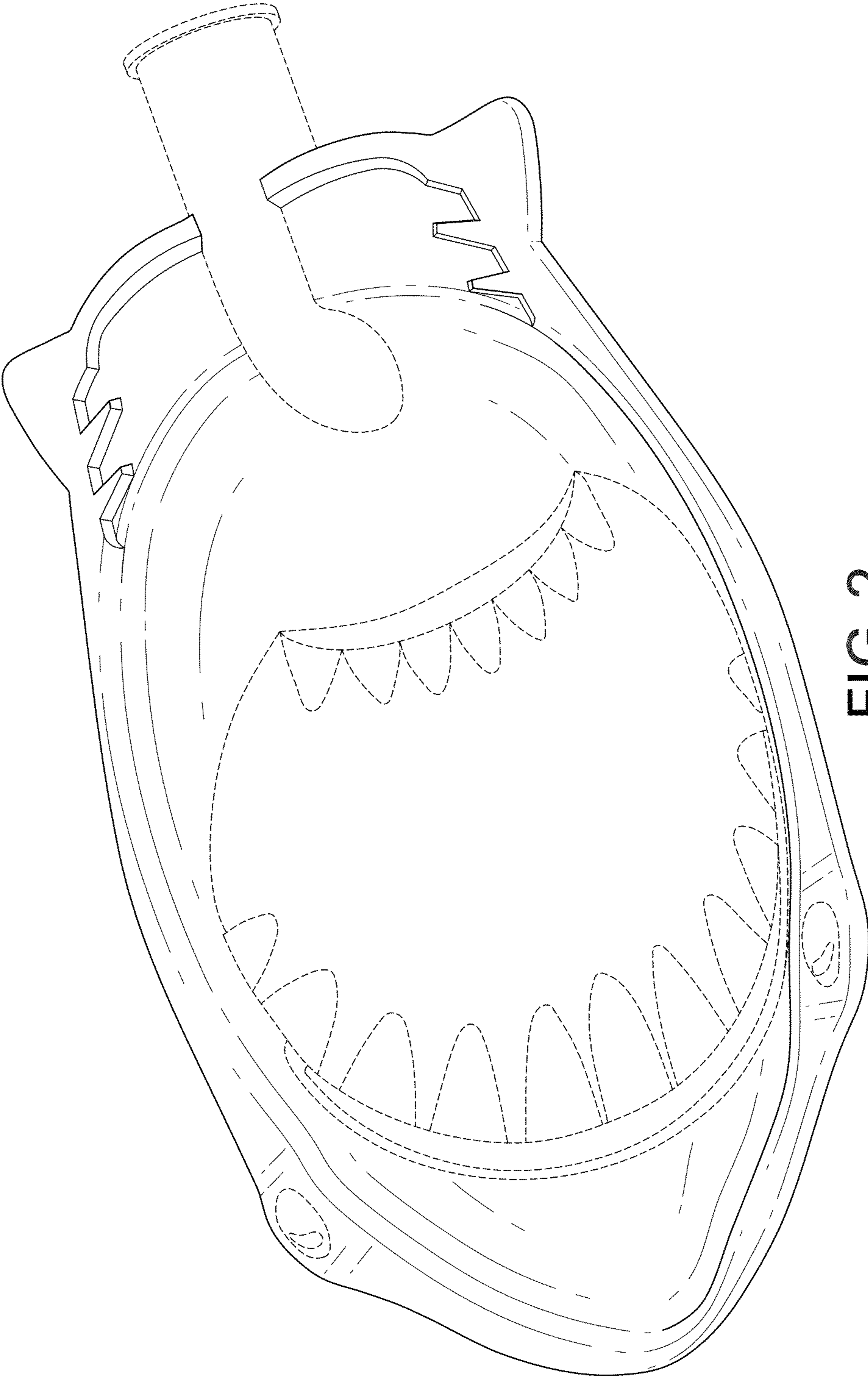


FIG. 2

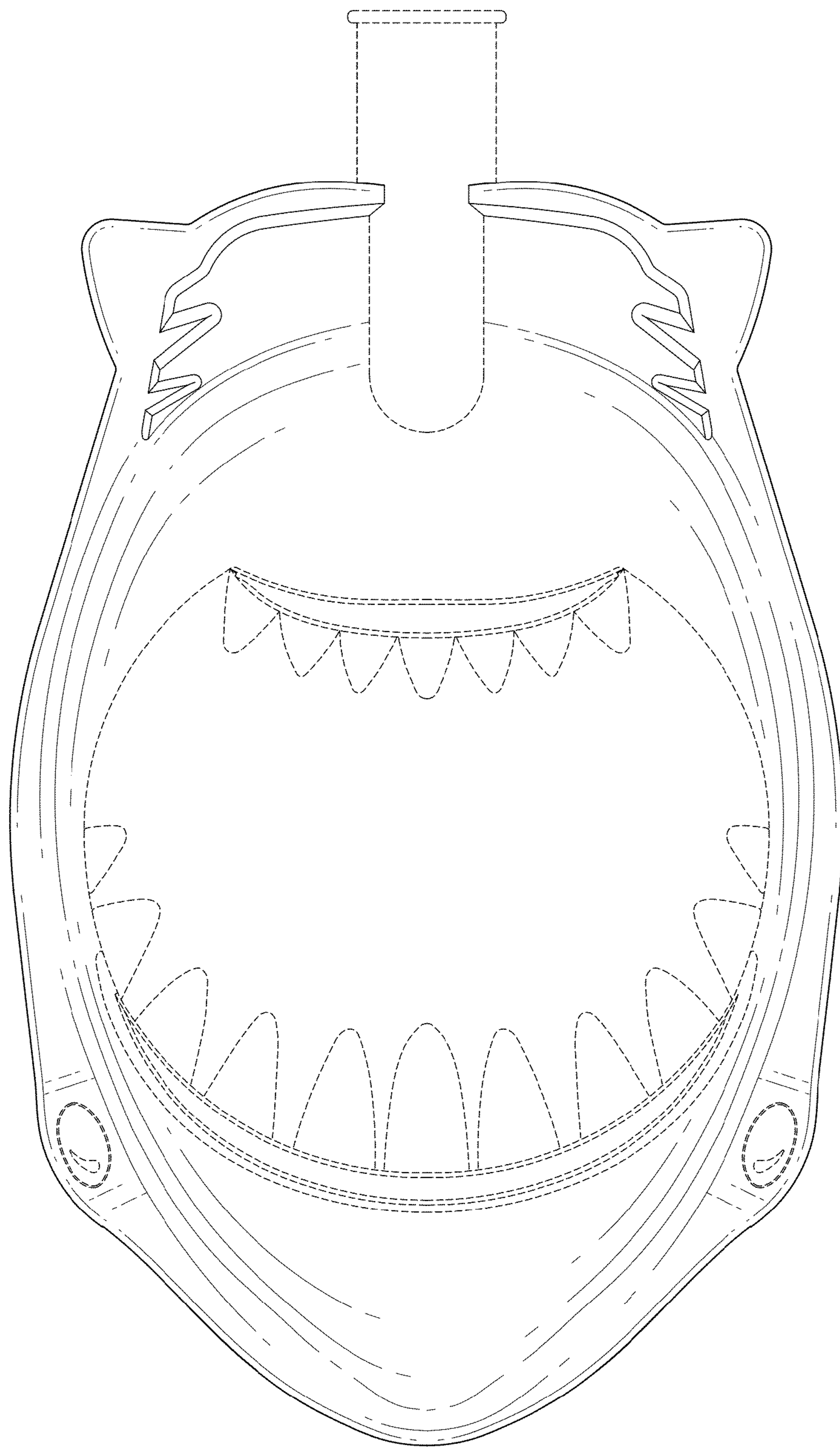


FIG. 3

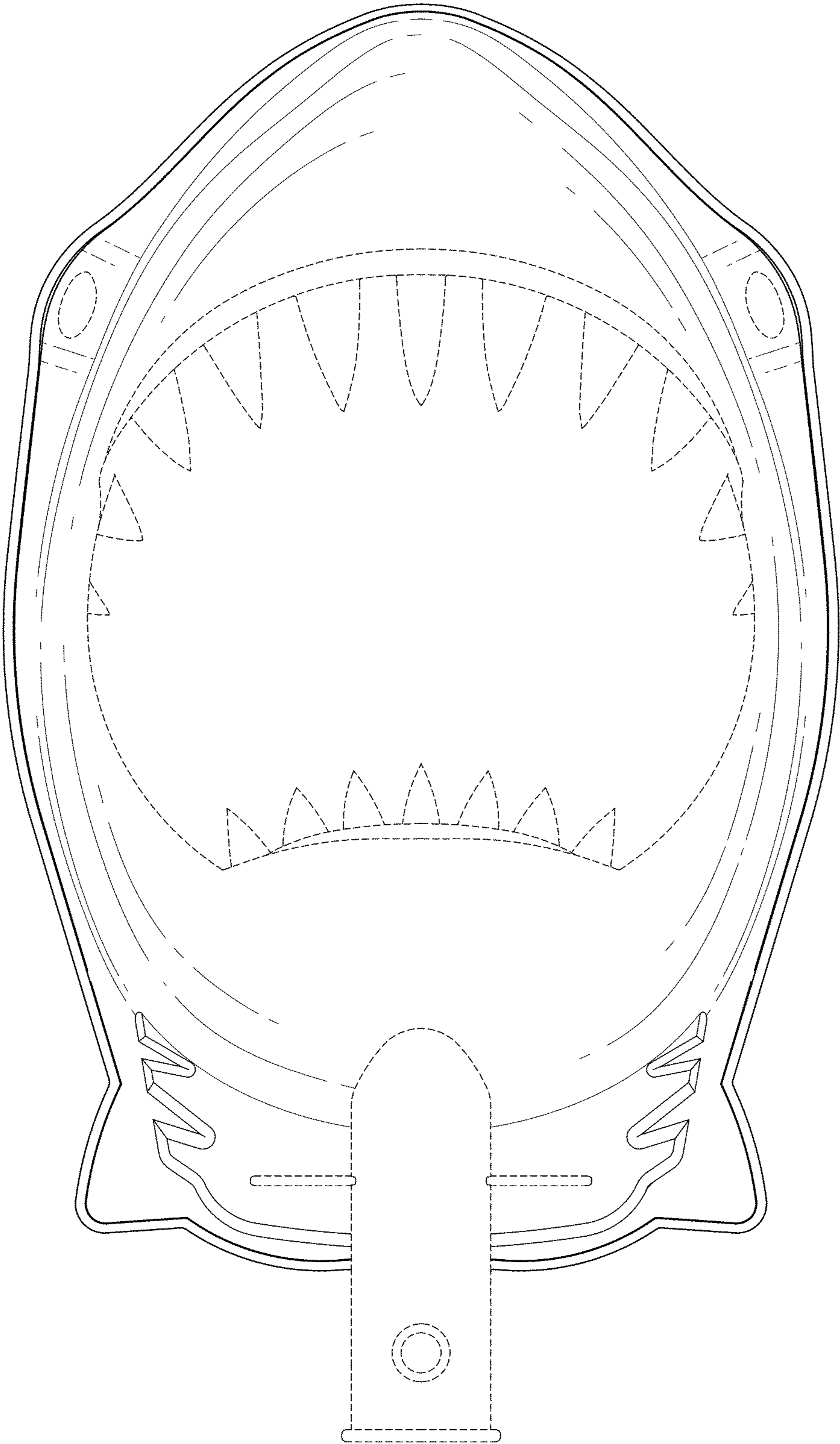


FIG.4

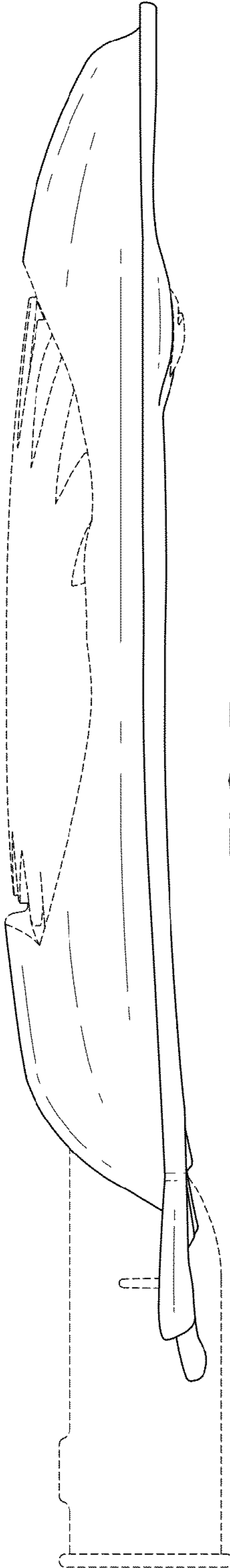


FIG. 5

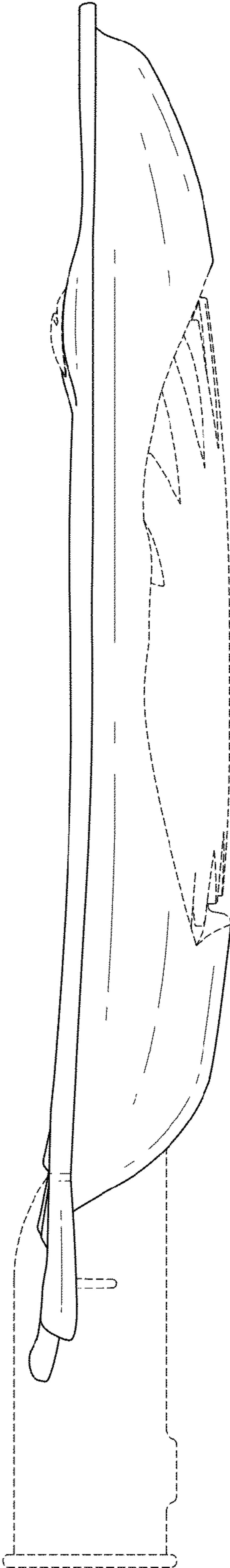


FIG. 6

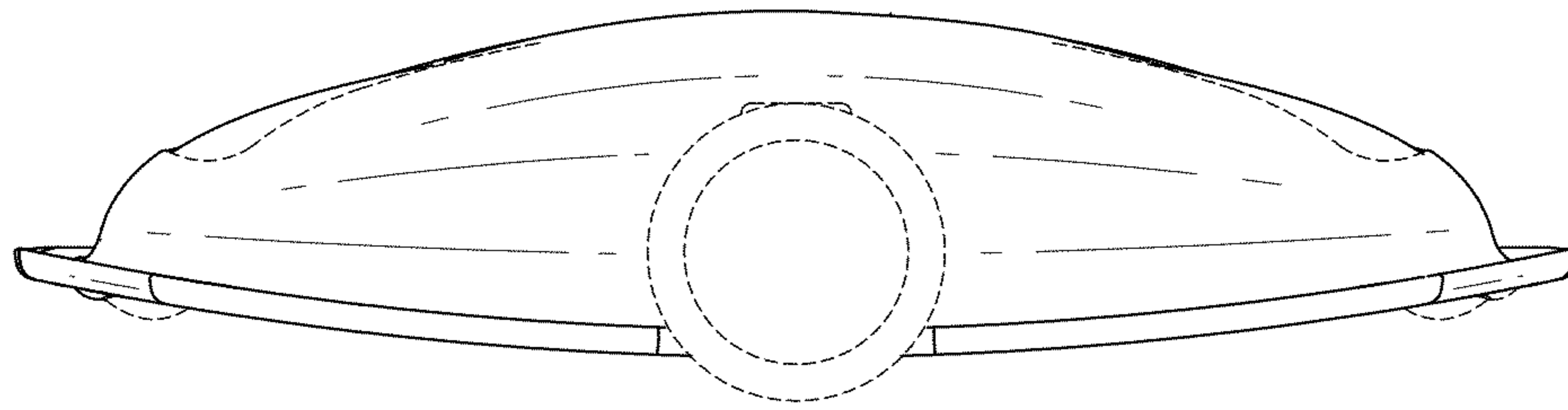


FIG. 8

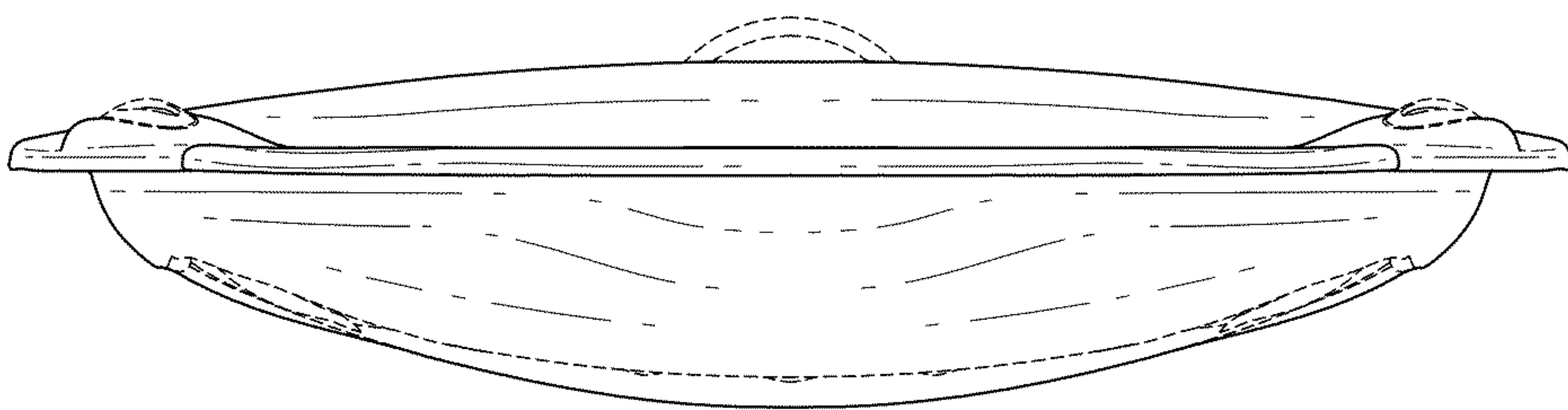


FIG. 7

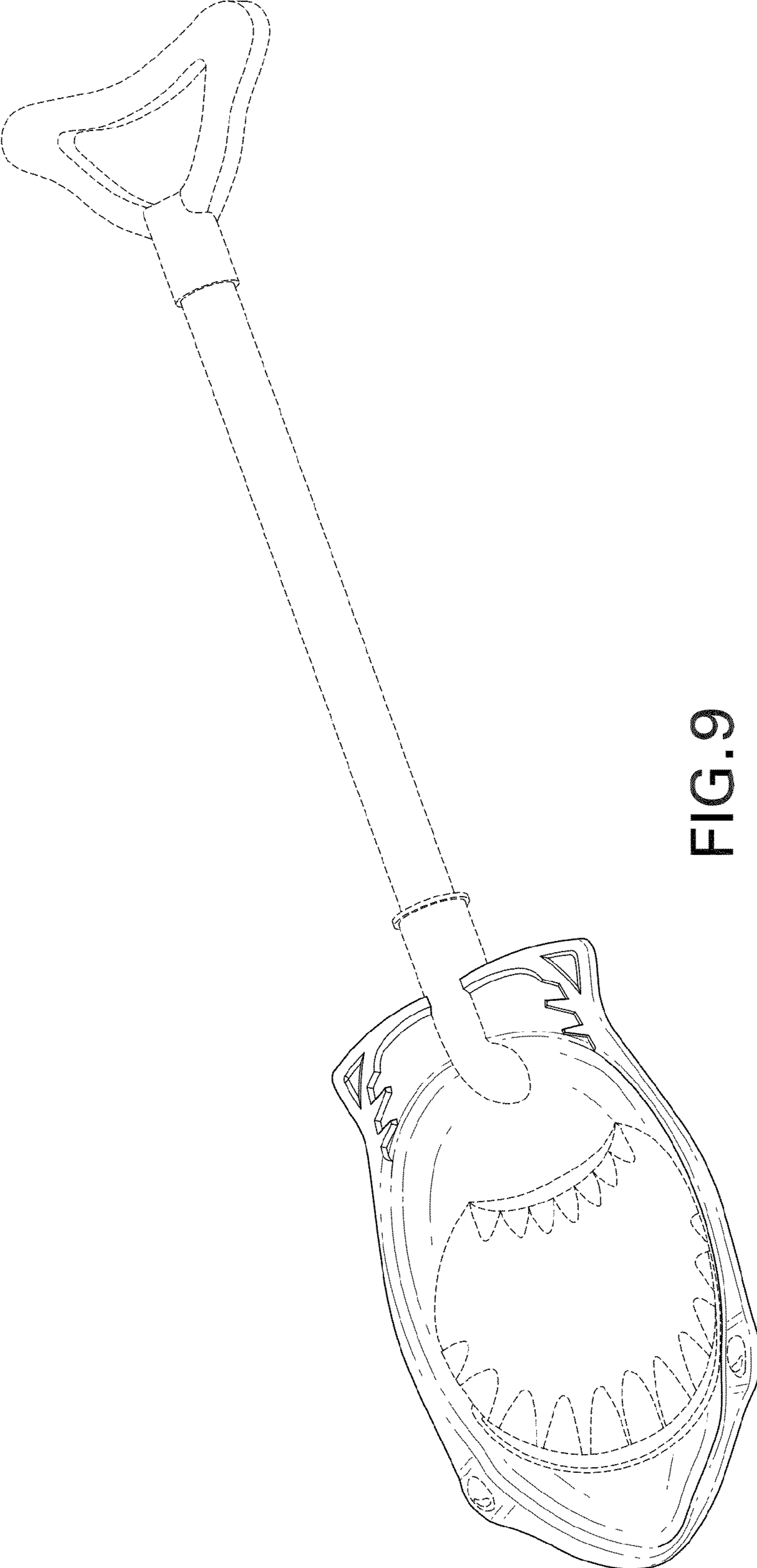


FIG. 9

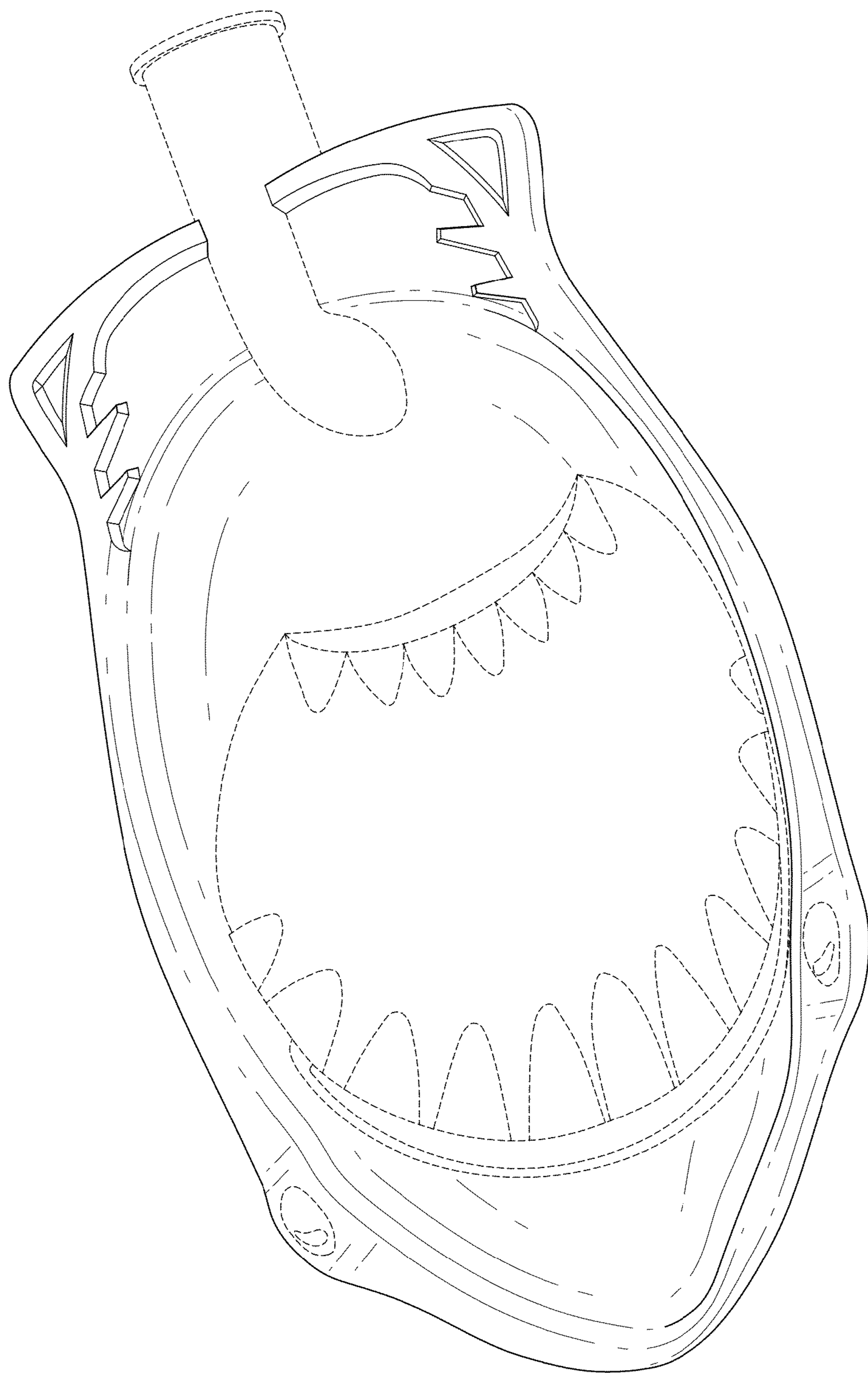


FIG. 10

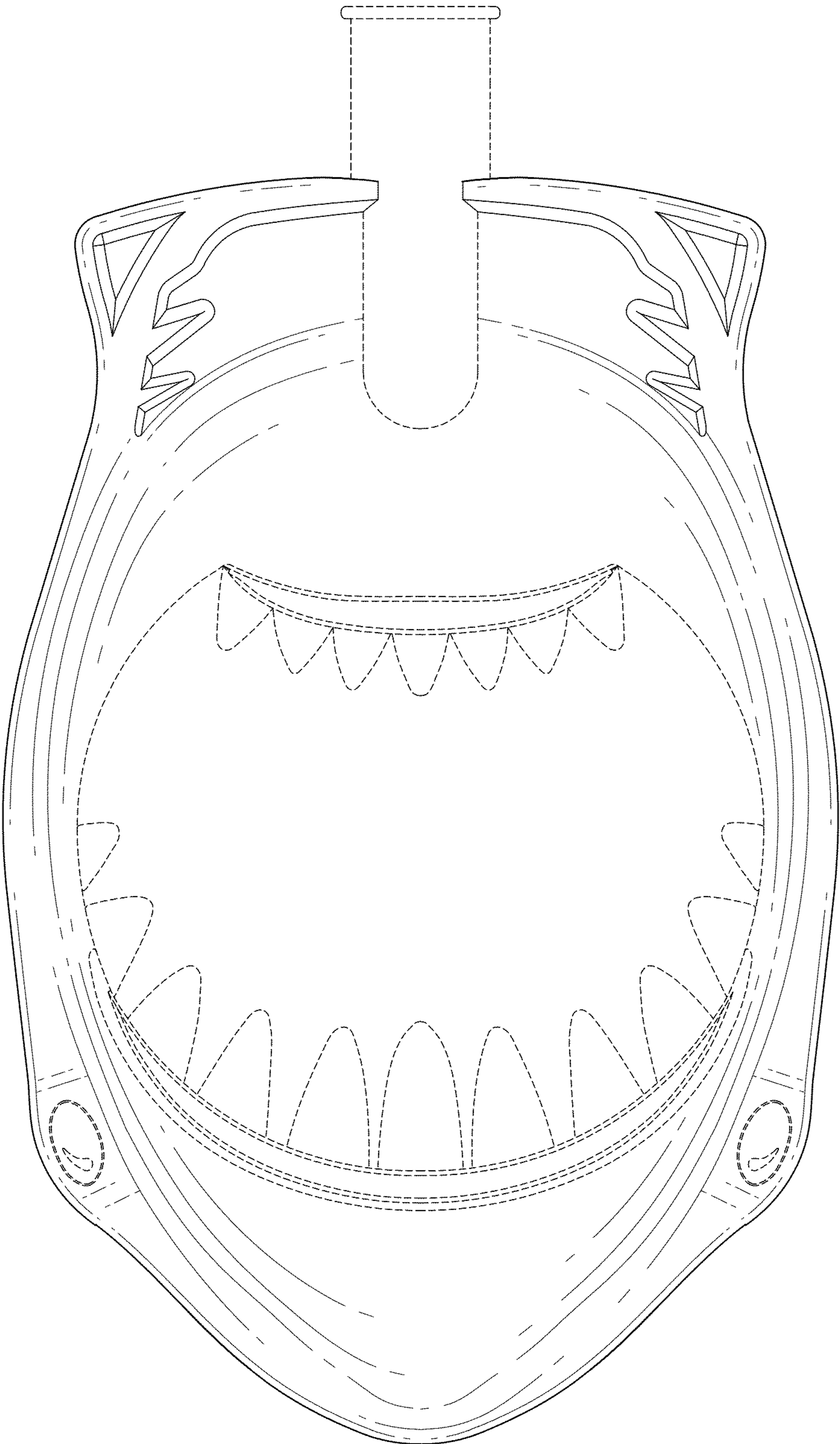


FIG.11

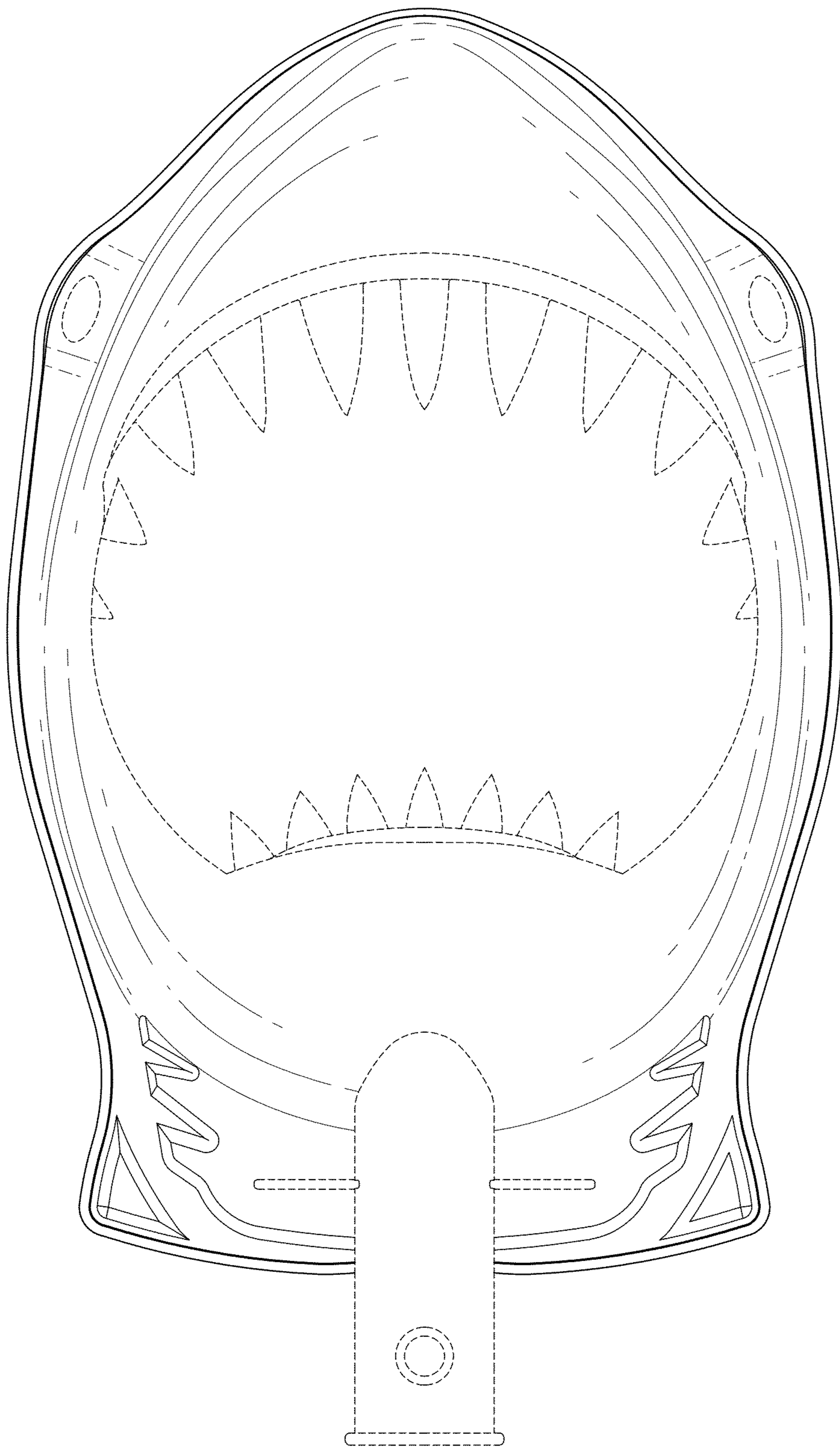


FIG.12

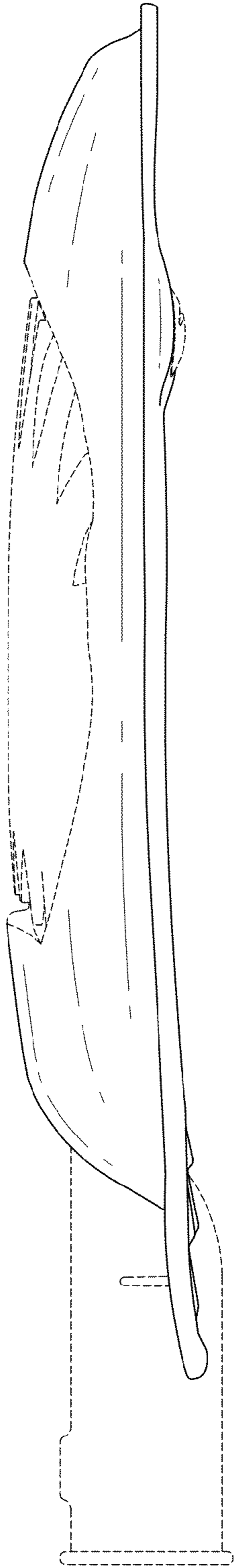


FIG. 13

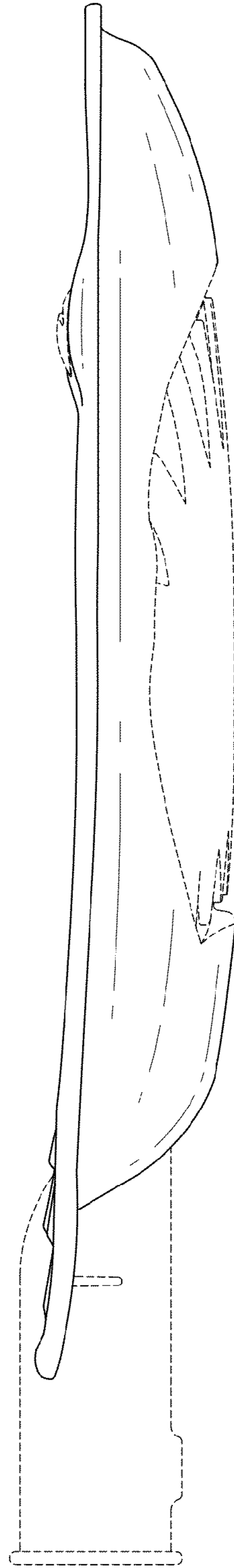


FIG. 14

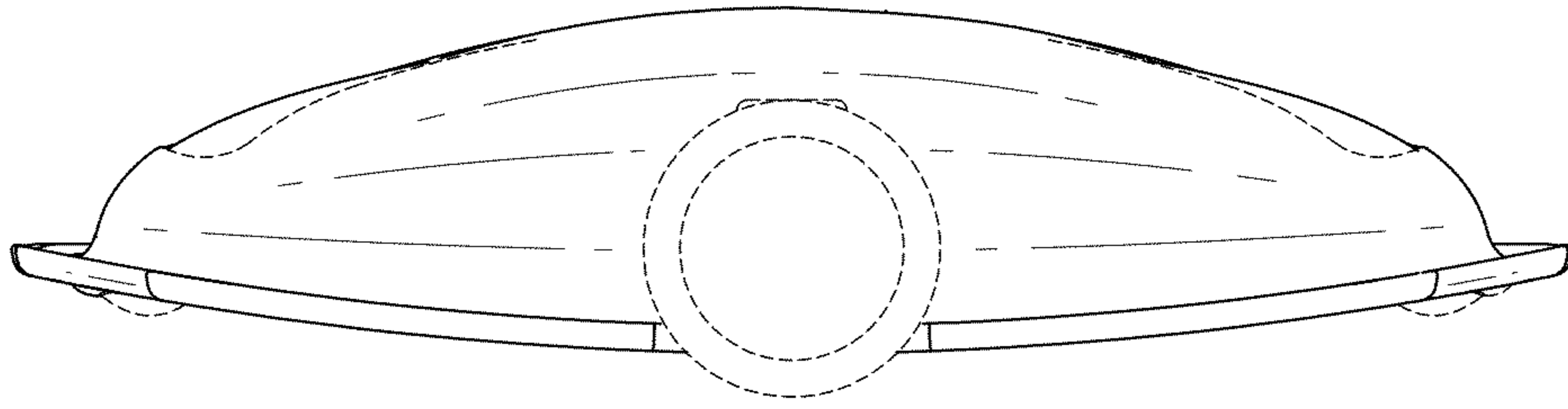


FIG. 16

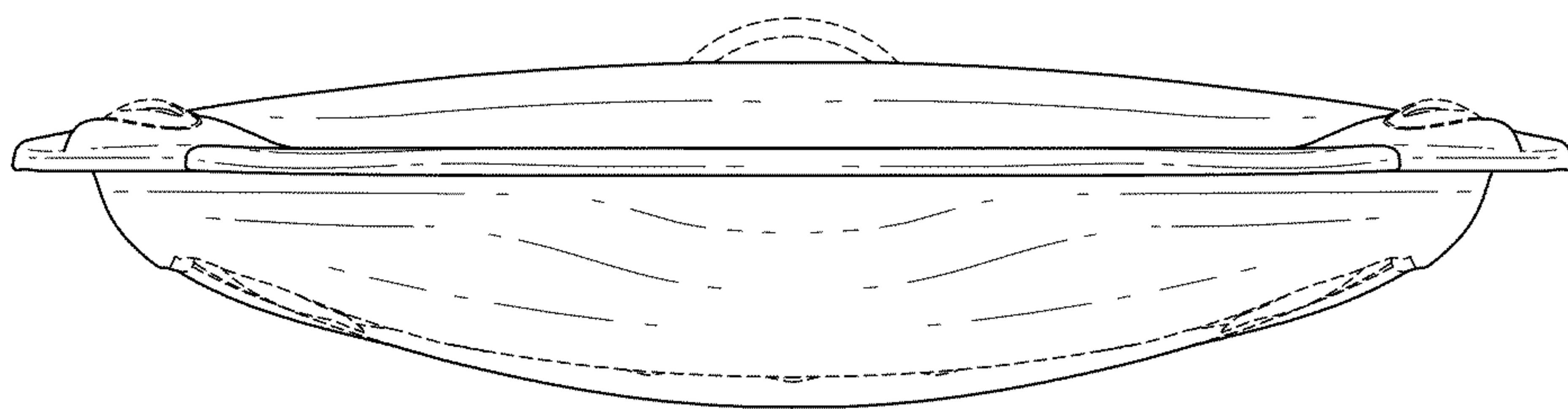


FIG. 15