



US00D747162S

(12) **United States Design Patent**
Furman

(10) **Patent No.:** **US D747,162 S**
(45) **Date of Patent:** **** Jan. 12, 2016**

(54) **BAR KNIFE**

(71) Applicant: **Mark A. Furman**, Framingham, MA
(US)

(72) Inventor: **Mark A. Furman**, Framingham, MA
(US)

(73) Assignee: **R. Murphy Company, Inc.**, Ayer, MA
(US)

(**) Term: **14 Years**

(21) Appl. No.: **29/511,421**

(22) Filed: **Dec. 10, 2014**

(51) **LOC (10) Cl.** **07-03**

(52) **U.S. Cl.**
USPC **D7/649**

(58) **Field of Classification Search**
USPC D7/393-395, 401.2, 642-652, 693,
D7/695-696; D8/93, 97-100, 107, 300,
D8/321; D22/117-118

CPC A01B 1/20; A01B 1/22; A22C 25/006;
A47G 21/06; A47G 21/065; A61B 17/3211;
A61B 17/3213; B21D 53/64; B25G 3/36;
B26B 1/00; B26B 1/08; B26B 1/10; B26B
3/00; B26B 3/02; B26B 3/03; B26B 3/04;
B26B 3/06; B26B 5/00; B26B 5/001; B26B
5/007; B26B 7/00; B26B 7/005; B26B 9/00;
B26B 9/02; B26B 11/00; B26B 11/006;
B26B 17/00; B26B 17/006; B26B 29/02

See application file for complete search history.

(56) **References Cited**

U.S. PATENT DOCUMENTS

D132,419 S *	5/1942	Brown	D22/118
2,352,013 A *	6/1944	Roth	B26B 29/02 30/295
4,198,751 A *	4/1980	Egbert	A22C 25/006 30/286
D266,392 S *	10/1982	Hoffberger	D7/650
D274,399 S *	6/1984	Olsen, Jr.	D7/649
5,081,770 A *	1/1992	Fierthaler	B26B 9/02 30/351
D458,510 S *	6/2002	Haataja	D7/395
6,625,890 B2 *	9/2003	Hufnagel	B25G 3/36 30/344
D539,616 S *	4/2007	Taylor	D7/649
D632,934 S *	2/2011	Thun	D7/649
D633,345 S *	3/2011	Ranieri	D7/649
D643,258 S *	8/2011	Spiegel	D7/649

* cited by examiner

Primary Examiner — Ricky Pham

(57) **CLAIM**

I claim the ornamental design for a bar knife, as shown and described.

DESCRIPTION

FIG. 1 is a left side elevation of a handle and blade for a bar shucking knife, wherein the right side elevation (not shown) is a mirror image of the left side elevation FIG. 1 of my design;

FIG. 2 is a top plan view, wherein the bottom plan view (not shown) is a mirror image of the top plan view FIG. 2;

FIG. 3 is a front elevation view of my design; and,

FIG. 4 is a rear elevation view of my design.

1 Claim, 4 Drawing Sheets

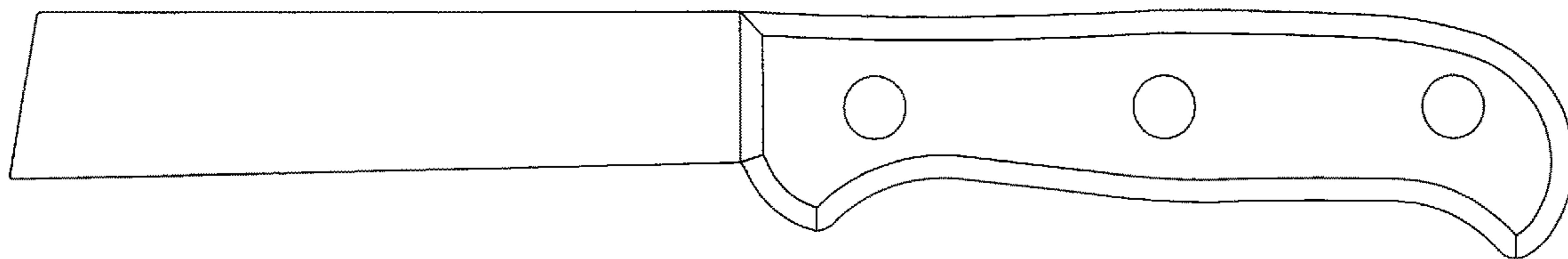
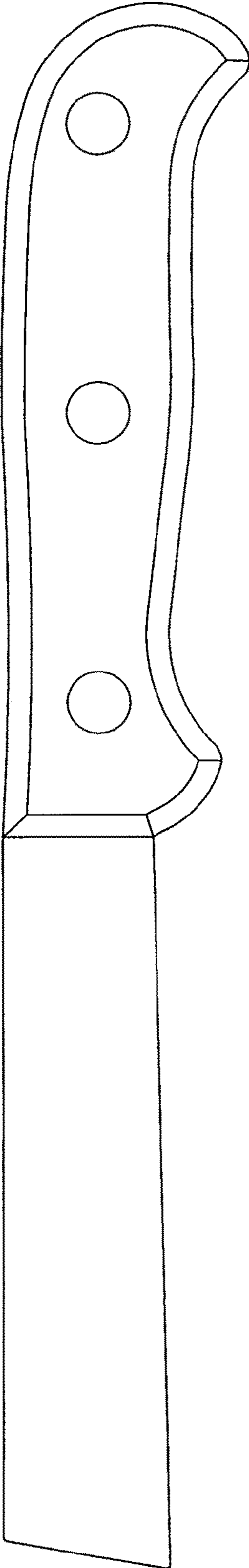


FIG. 1



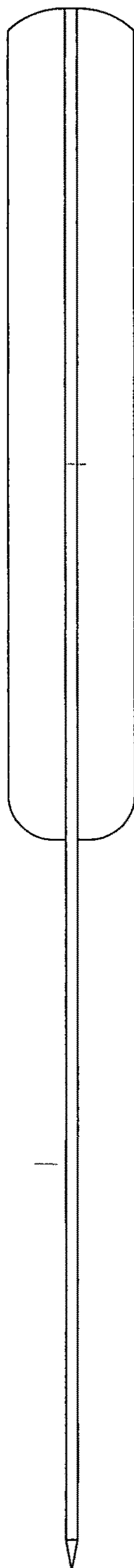


FIG. 2

