



US00D747158S

(12) **United States Design Patent**
Goodman et al.

(10) **Patent No.:** **US D747,158 S**
(45) **Date of Patent:** **** Jan. 12, 2016**

(54) **NAPKIN HOLDER**

(56) **References Cited**

(71) Applicant: **Spectrum Diversified Designs, Inc.**,
Streetsboro, OH (US)
(72) Inventors: **Sheldon H. Goodman**, Solon, OH (US);
Phaysouk Xayoiphonh, Akron, OH
(US); **Jennifer K. Case**, Middleburg
Heights, OH (US)
(73) Assignee: **Spectrum Diversified Designs, LLC**,
Streetsboro, OH (US)

U.S. PATENT DOCUMENTS

D315,925 S *	4/1991	Rich	D19/86
D622,110 S *	8/2010	Yang	D7/631
D640,510 S *	6/2011	Guindi	D7/631
D652,688 S *	1/2012	Guindi	D7/631

* cited by examiner

Primary Examiner — Terry Wallace

(74) *Attorney, Agent, or Firm* — Benesch Friedlander
Coplan & Aronoff LLP

(**) Term: **14 Years**

(57) **CLAIM**

What is claimed is the ornamental design for a napkin holder,
as shown and described.

(21) Appl. No.: **29/507,682**

DESCRIPTION

(22) Filed: **Oct. 30, 2014**

(51) **LOC (10) Cl.** **07-06**

(52) **U.S. Cl.**

USPC **D7/631**

(58) **Field of Classification Search**

USPC D7/631-634, 584, 587, 588, 601, 602,
D7/637, 704; D3/306; D19/86, 75, 90, 92,
D19/95; D6/673, 675.2, 675.5, 676.5,
D6/677.5, 678.4, 680.3; 211/41.1-41.4,
211/181.1, 13.1, 11, 126.9, 133.5, 85.31,
211/33, 34, 59.2, 49.1, 45; 220/485, 491
CPC A47G 21/16; A47K 10/423; A47K 10/42;
A47K 10/421

FIG. 1 is a perspective view of a napkin holder showing a new
design;

FIG. 2 is a front view of the napkin holder of FIG. 1;

FIG. 3 is a side view of the napkin holder of FIG. 1;

FIG. 4 is a cross-sectional view taken along line 4-4 of FIG. 3;

FIG. 5 is a top view of the napkin holder of FIG. 1;

FIG. 6 is a bottom view of the napkin holder of FIG. 1;

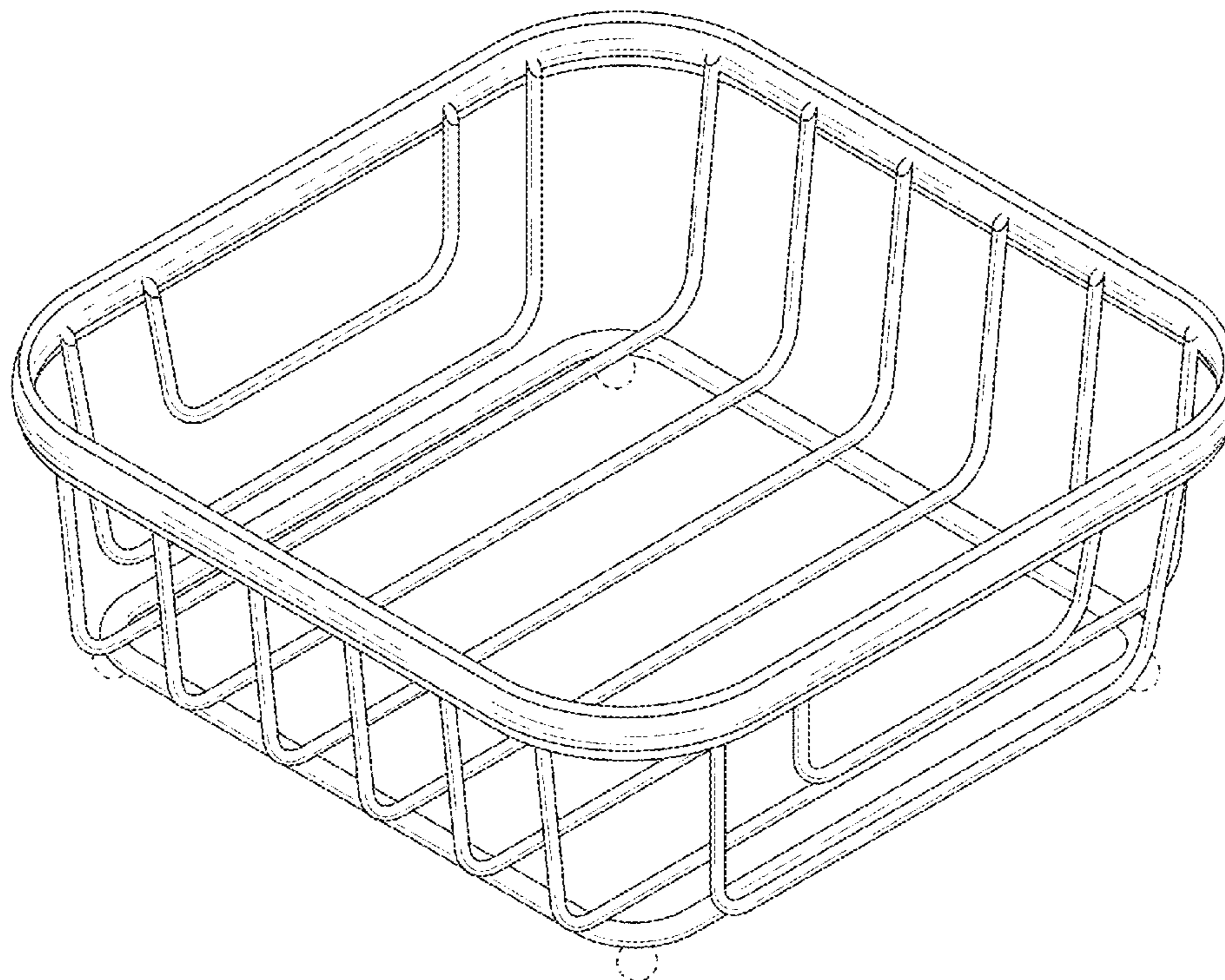
FIG. 7 is a perspective view of another embodiment of the
napkin holder of FIG. 1; and,

FIG. 8 is a cross sectional view taken along line 8-8 of FIG. 7.

The components of the display shown in broken lines illus-
trate portions of the napkin holder form no part of the claimed
design.

See application file for complete search history.

1 Claim, 4 Drawing Sheets



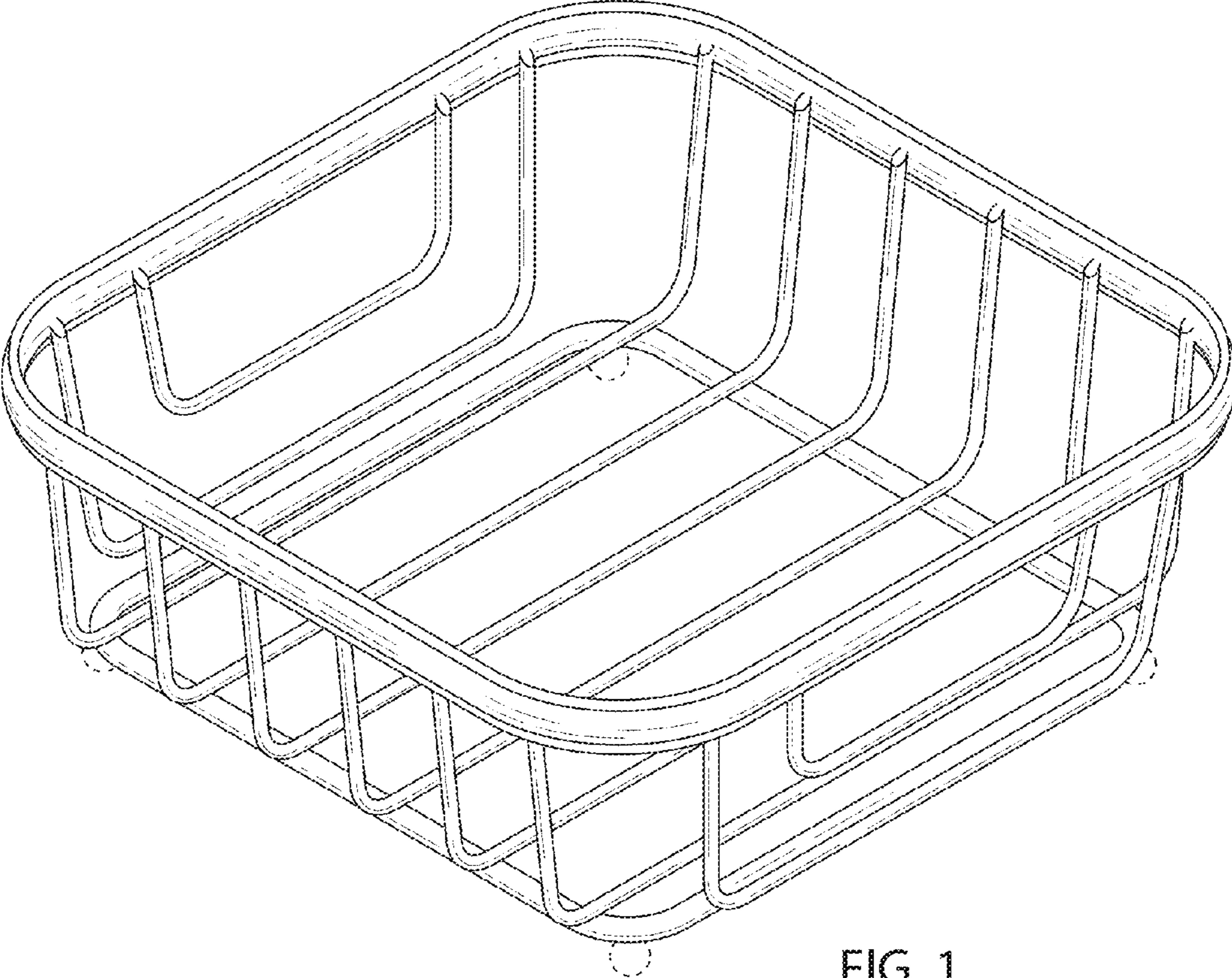


FIG. 1

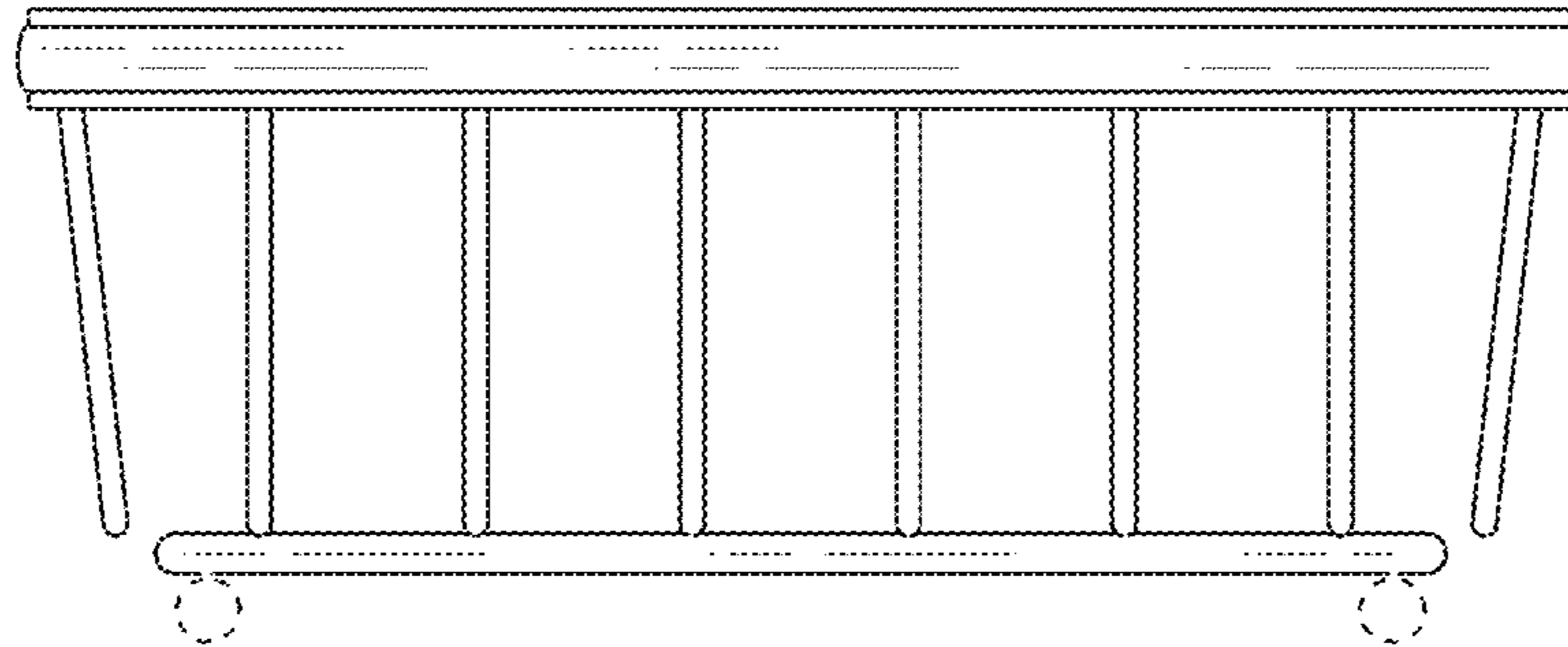


FIG. 2

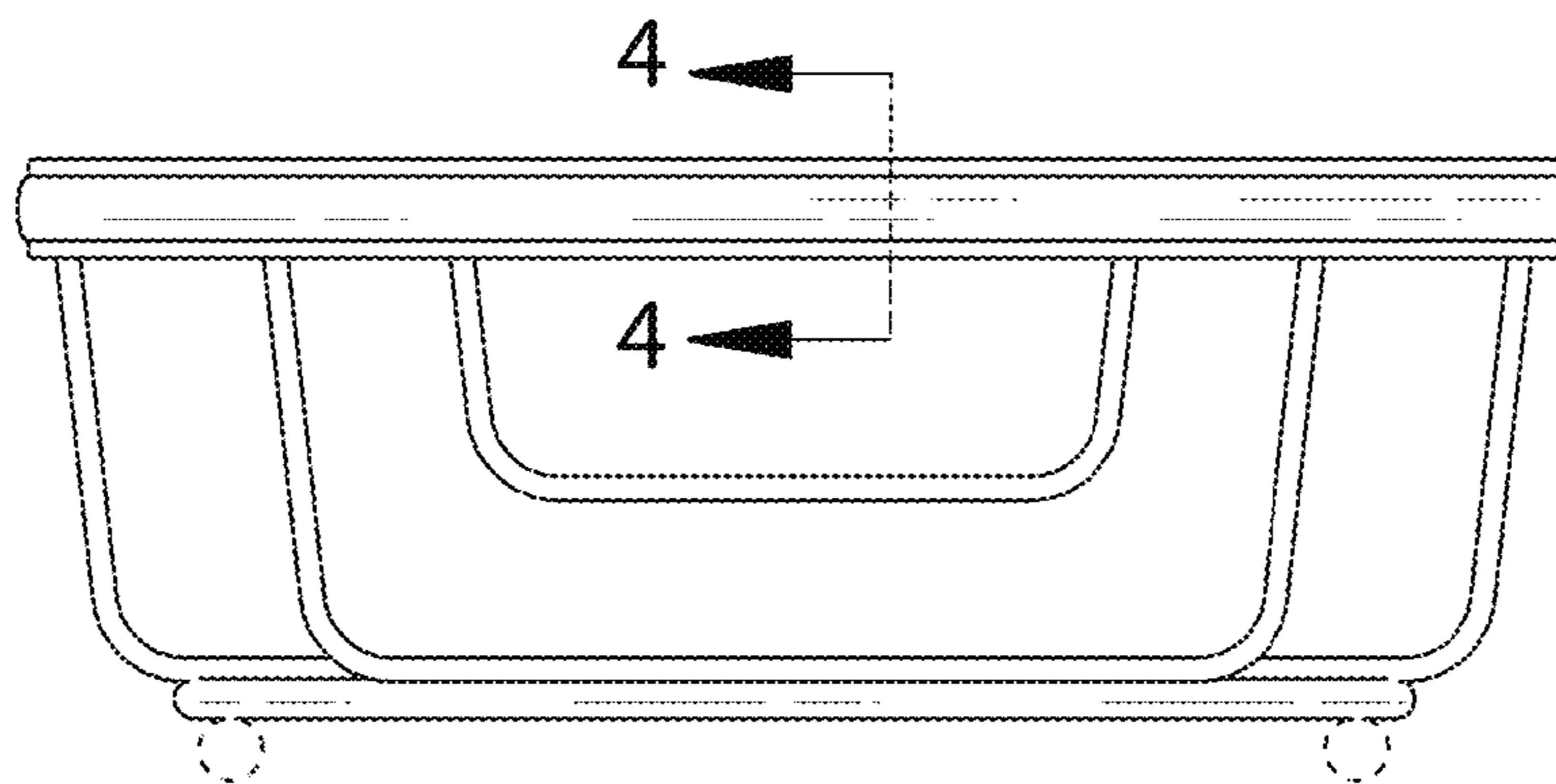


FIG. 3

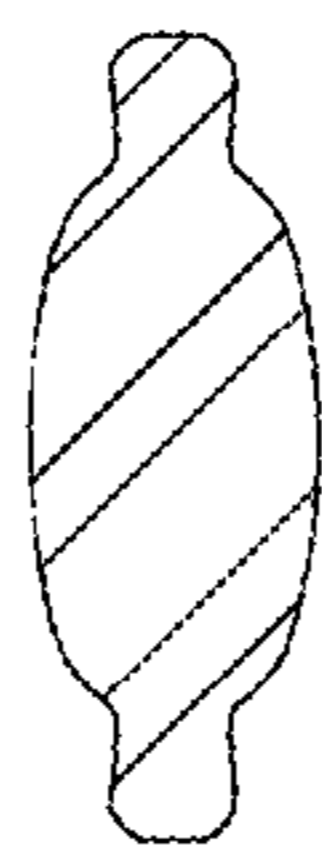


FIG. 4

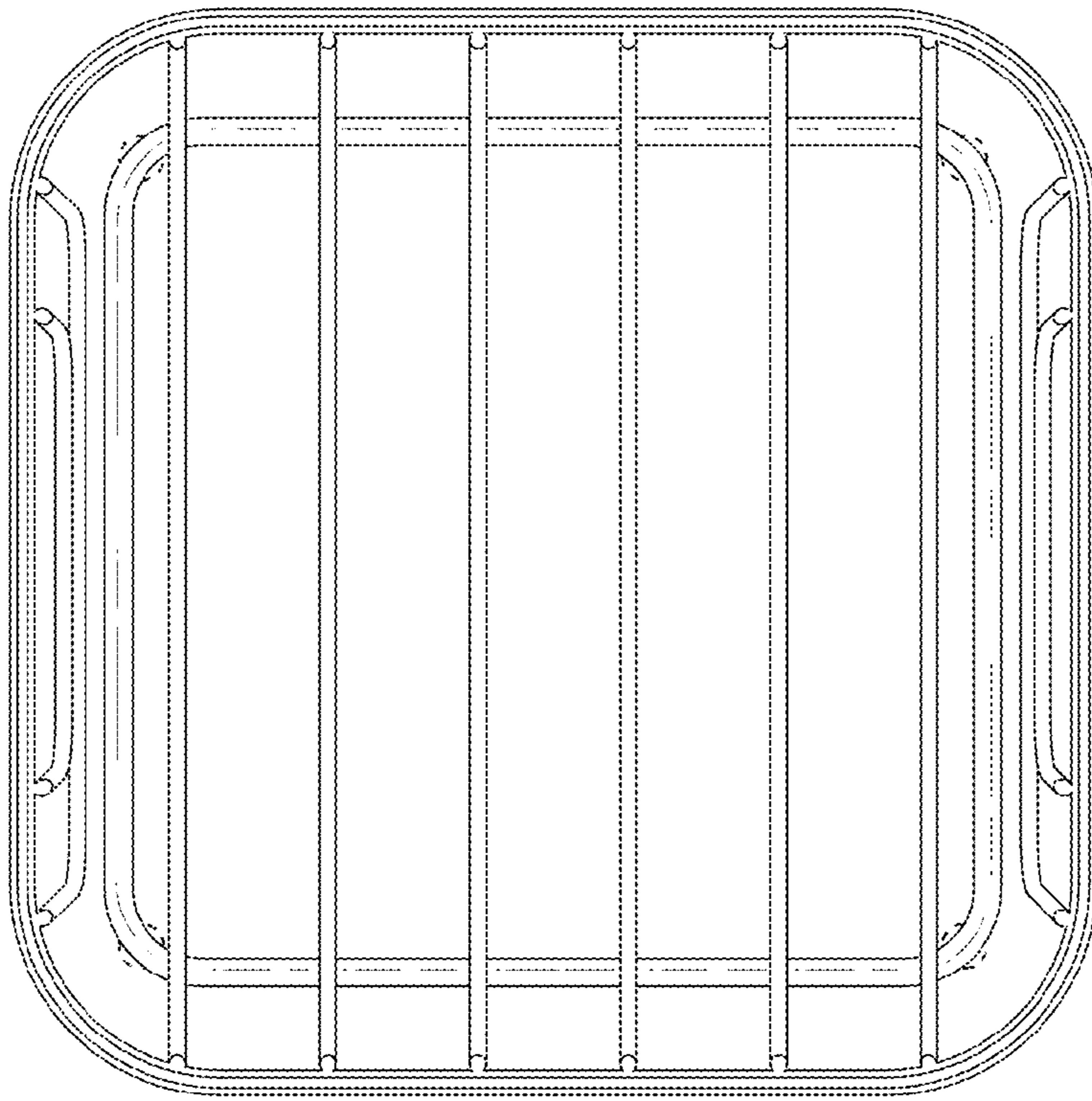


FIG. 5

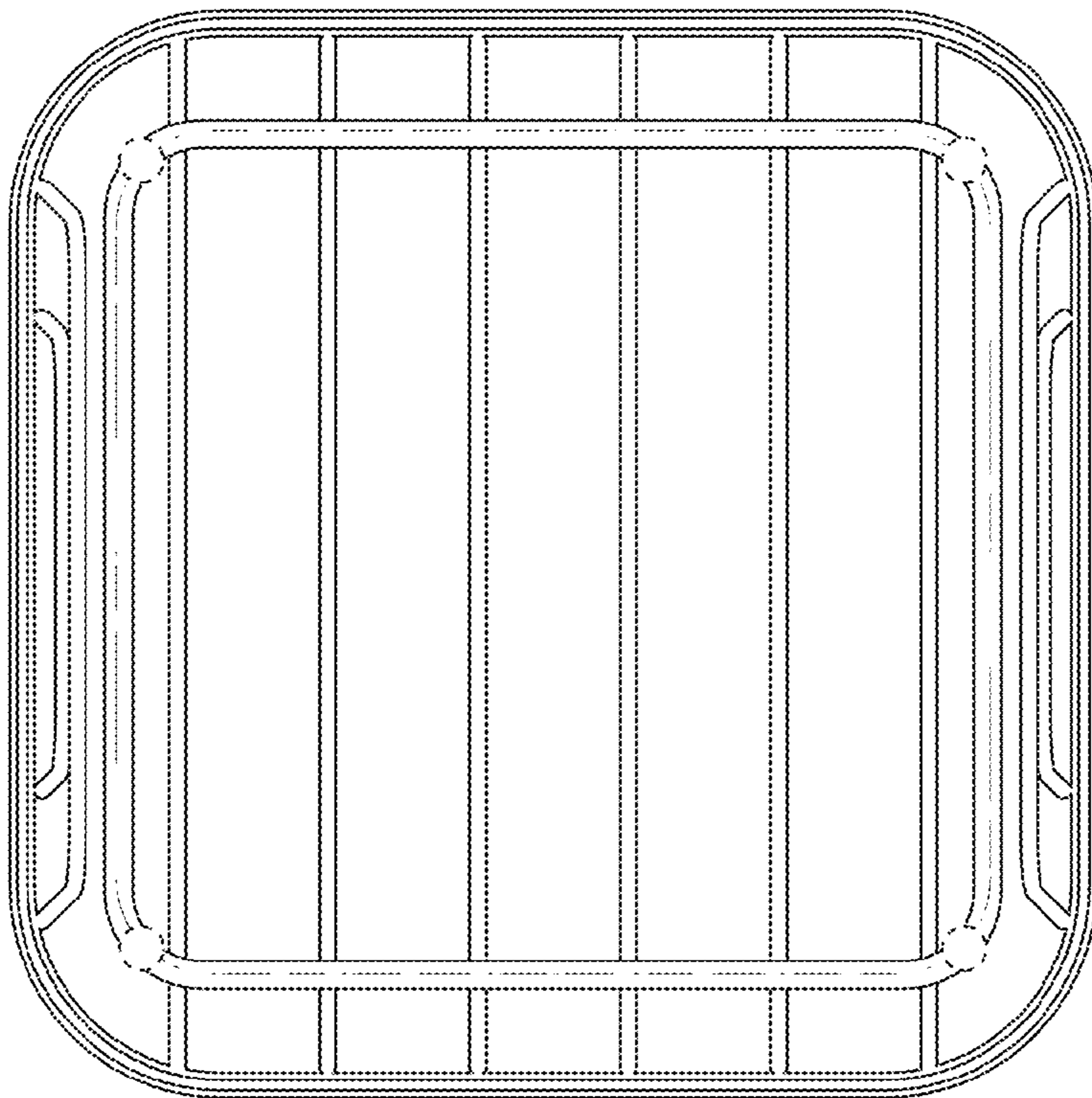


FIG. 6

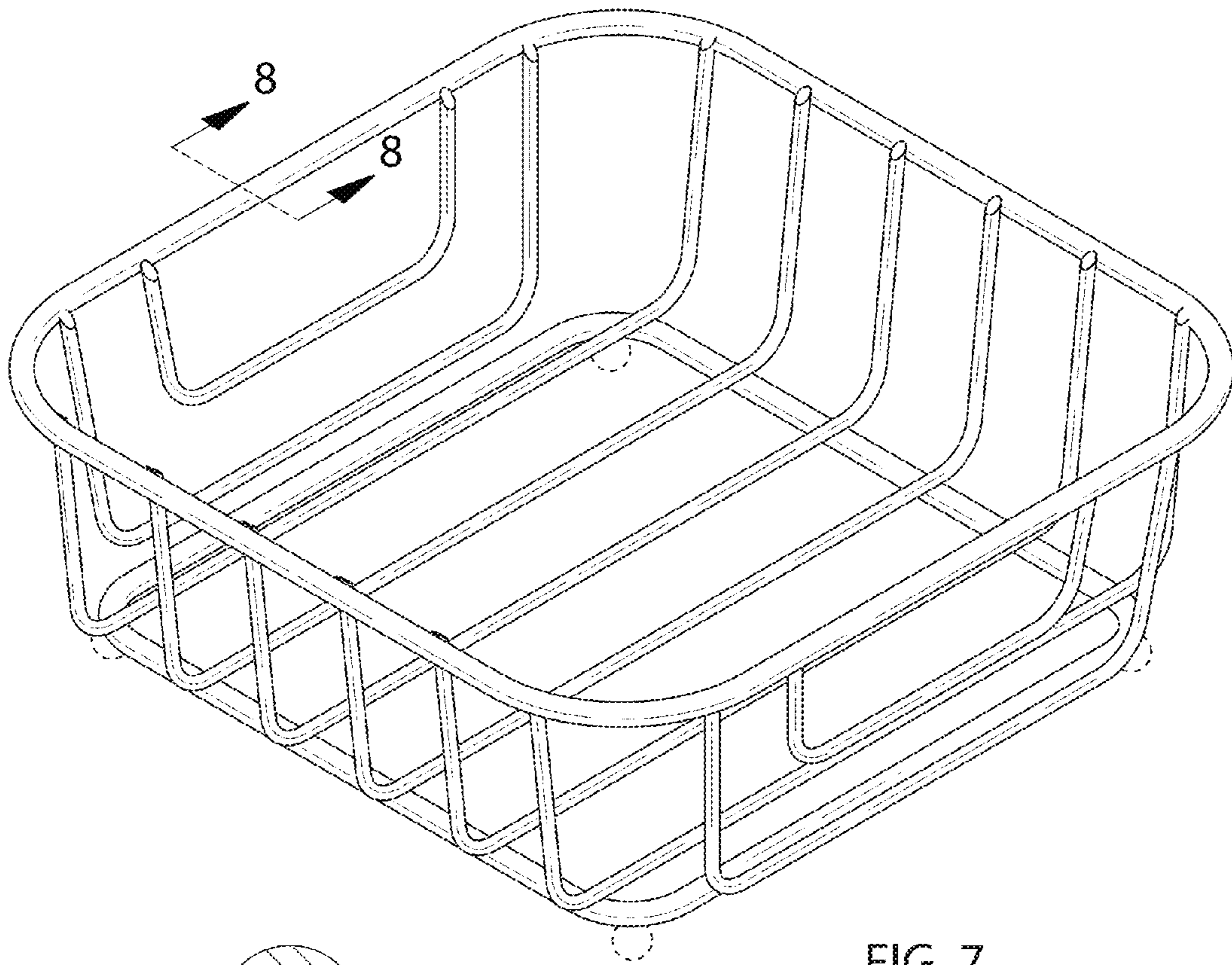


FIG. 7

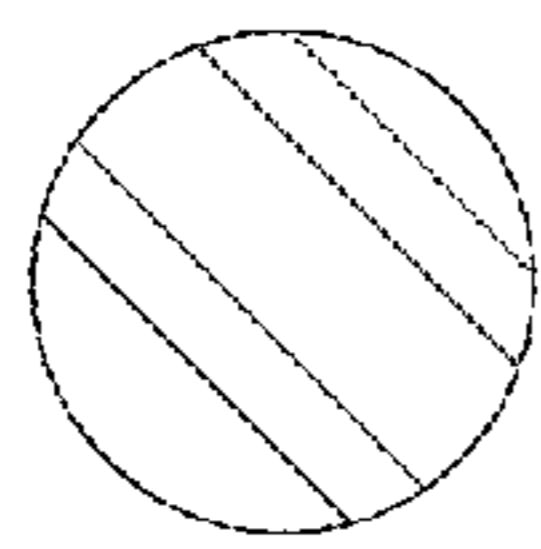


FIG. 8