



US00D747157S

(12) **United States Design Patent**
Pasho

(10) **Patent No.:** **US D747,157 S**
(45) **Date of Patent:** **** Jan. 12, 2016**

(54) **HOLDER**

(71) Applicant: **Elizabeth Ann Pasho**, Milwaukee, WI
(US)

(72) Inventor: **Elizabeth Ann Pasho**, Milwaukee, WI
(US)

(**) Term: **14 Years**

(21) Appl. No.: **29/440,934**

(22) Filed: **Dec. 28, 2012**

(51) **LOC (10) Cl.** **07-06**

(52) **U.S. Cl.**
USPC **D7/620; D7/621**

(58) **Field of Classification Search**

USPC D7/620, 708.1, 601, 622, 624, 607, 536,
D7/701, 602, 619.1, 619.2, 621, 623, 709,
D7/633; D6/552, 553, 554, 556; D8/373,
D8/356, 396; 220/737, 703, 23.83, 694;
248/231.81, 311.2, 312, 148,
248/155.1–155.5, 229.16, 313, 315, 146,
248/412, 110, 114, 316.2, 316.3, 176.1;
211/65, 66, 412
CPC B60N 3/102; B60N 3/103; B60N 3/10;
A47G 23/0216; A47G 23/02; A47G 23/00;
A47G 23/0241; A47G 19/22; A61H 2003/002;
A45F 5/02

See application file for complete search history.

(56) **References Cited**

U.S. PATENT DOCUMENTS

675,063 A * 5/1901 Kift 248/296.1
769,846 A * 9/1904 Stocker 232/41 R
2,509,428 A * 5/1950 Greene 224/670
2,532,244 A * 11/1950 Pasmore 220/278
2,628,054 A * 2/1953 Fazakerley 248/311.2
3,481,639 A * 12/1969 Lawrence 294/31.2
D256,418 S * 8/1980 Corbett D7/622
4,749,112 A * 6/1988 Harper 224/553
D301,976 S * 7/1989 Greenhut et al. D8/373
D304,795 S * 11/1989 Klopp D7/620
D317,999 S * 7/1991 Sanford D7/620

D322,194 S * 12/1991 Egan, Jr. D7/708.1
D337,028 S * 7/1993 Koorey et al. D7/620
D350,456 S * 9/1994 Linder D7/620
5,857,601 A * 1/1999 Greenwood 224/409
D437,187 S * 2/2001 Cheng D7/622

(Continued)

Primary Examiner — Ian Simmons

Assistant Examiner — Shannon Morgan

(74) *Attorney, Agent, or Firm* — Boyle Fredrickson, S.C.

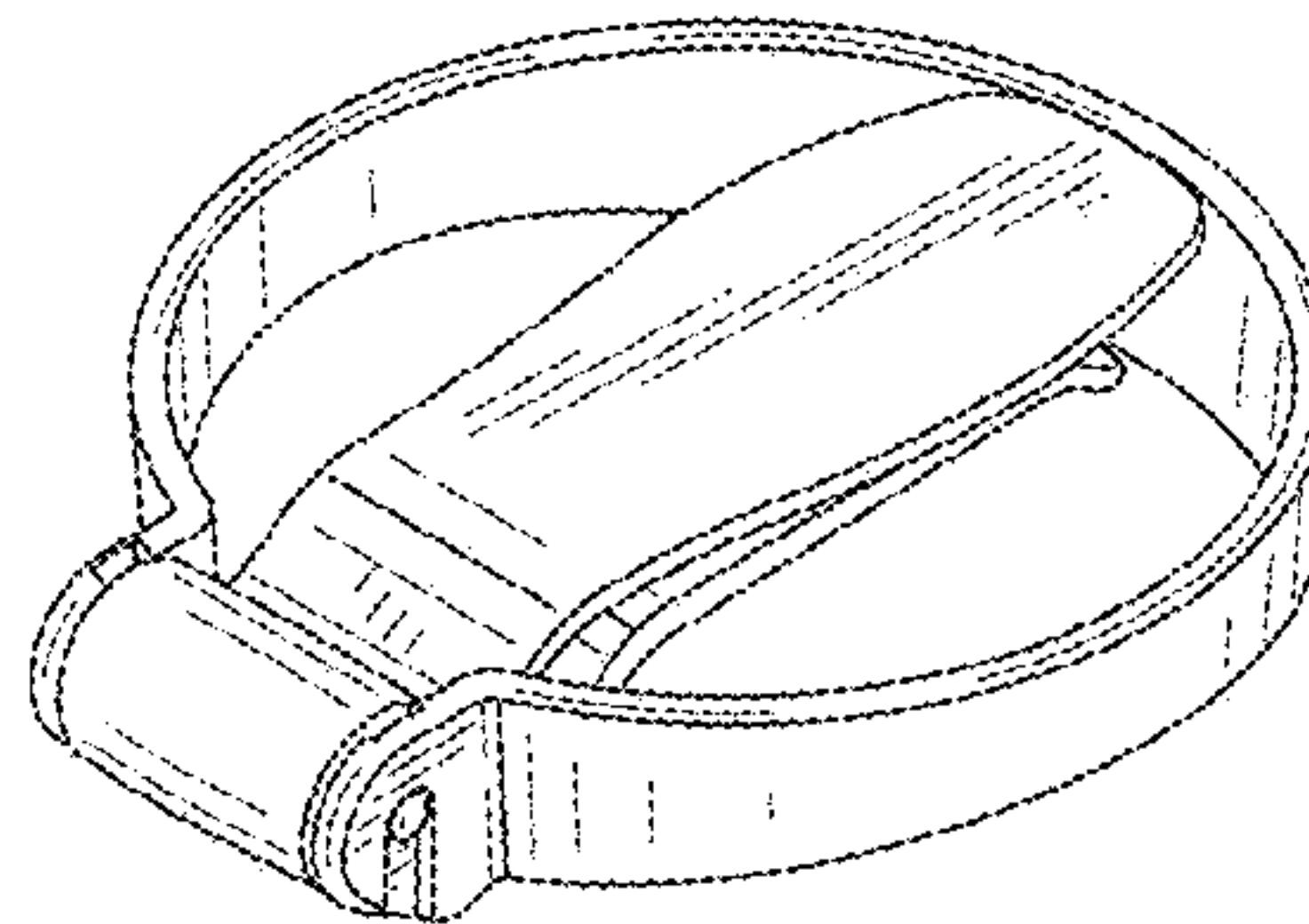
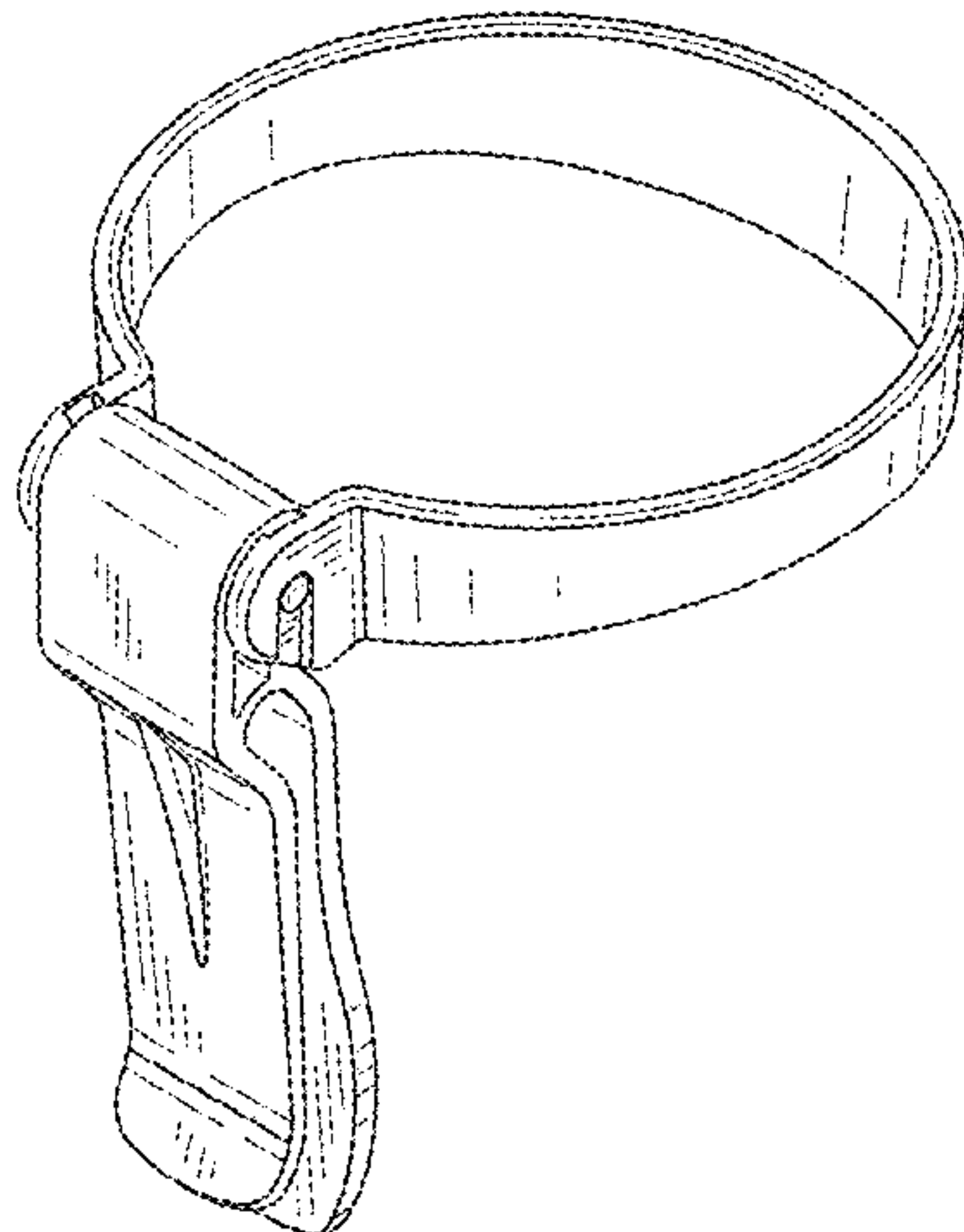
(57) **CLAIM**

I claim the ornamental design for a holder, as shown and described.

DESCRIPTION

FIG. 1 is a perspective view of a first embodiment of a holder showing my new design;
FIG. 2 is a left side elevational view thereof; the right side elevational view being an identical mirror image thereof;
FIG. 3 is a rear elevational view thereof;
FIG. 4 is a front elevational view thereof;
FIG. 5 is a top plan view thereof; and
FIG. 6 is a bottom plan view thereof;
FIG. 7 is a perspective view of the holder in FIG. 1 shown in an alternate position thereof;
FIG. 8 is a left side elevational view thereof; the right side elevational view being an identical mirror image thereof;
FIG. 9 is a rear elevational view thereof;
FIG. 10 is a front elevational view thereof;
FIG. 11 is a top plan view thereof; and
FIG. 12 is a bottom plan view thereof;
FIG. 13 is a perspective view of a second embodiment of a holder showing my new design;
FIG. 14 is a left side elevational view thereof; the right side elevational view being an identical mirror image thereof;
FIG. 15 is a rear elevational view thereof;
FIG. 16 is a front elevational view thereof;
FIG. 17 is a top plan view thereof; and,
FIG. 18 is a bottom plan view thereof.
The broken lines shown in the figures represent portions of the holder that form no part of the claimed design.

1 Claim, 11 Drawing Sheets



(56)

References Cited

U.S. PATENT DOCUMENTS

D475,878 S * 6/2003 Knable, III D6/552
D484,753 S * 1/2004 Giampavolo D7/620
D489,577 S * 5/2004 Giampavolo D7/620
D492,871 S * 7/2004 Alves D6/552
D559,043 S * 1/2008 Peota et al. D7/620
D588,912 S * 3/2009 Christensen et al. D9/434
D589,793 S * 4/2009 Christensen et al. D9/434
7,922,022 B2 * 4/2011 Ciarrocchi, Jr. 220/23.4
8,066,148 B2 11/2011 Garahan

D650,691 S * 12/2011 Miller D7/620
D650,692 S * 12/2011 Miller D7/620
D707,496 S * 6/2014 Dorn et al. D7/619.1
D708,020 S * 7/2014 Cetera et al. D7/620
D709,737 S * 7/2014 Weinert et al. D7/622
2006/0038101 A1 * 2/2006 Oana 248/311.2
2010/0001145 A1 * 1/2010 Scott et al. 248/103
2010/0012807 A1 * 1/2010 Perman 248/312
2012/0234845 A1 * 9/2012 Miller 220/737
2012/0280100 A1 * 11/2012 Stephan 248/311.2
2013/0092808 A1 * 4/2013 Adachi et al. 248/311.2
2013/0306589 A1 * 11/2013 Miller 215/395

* cited by examiner

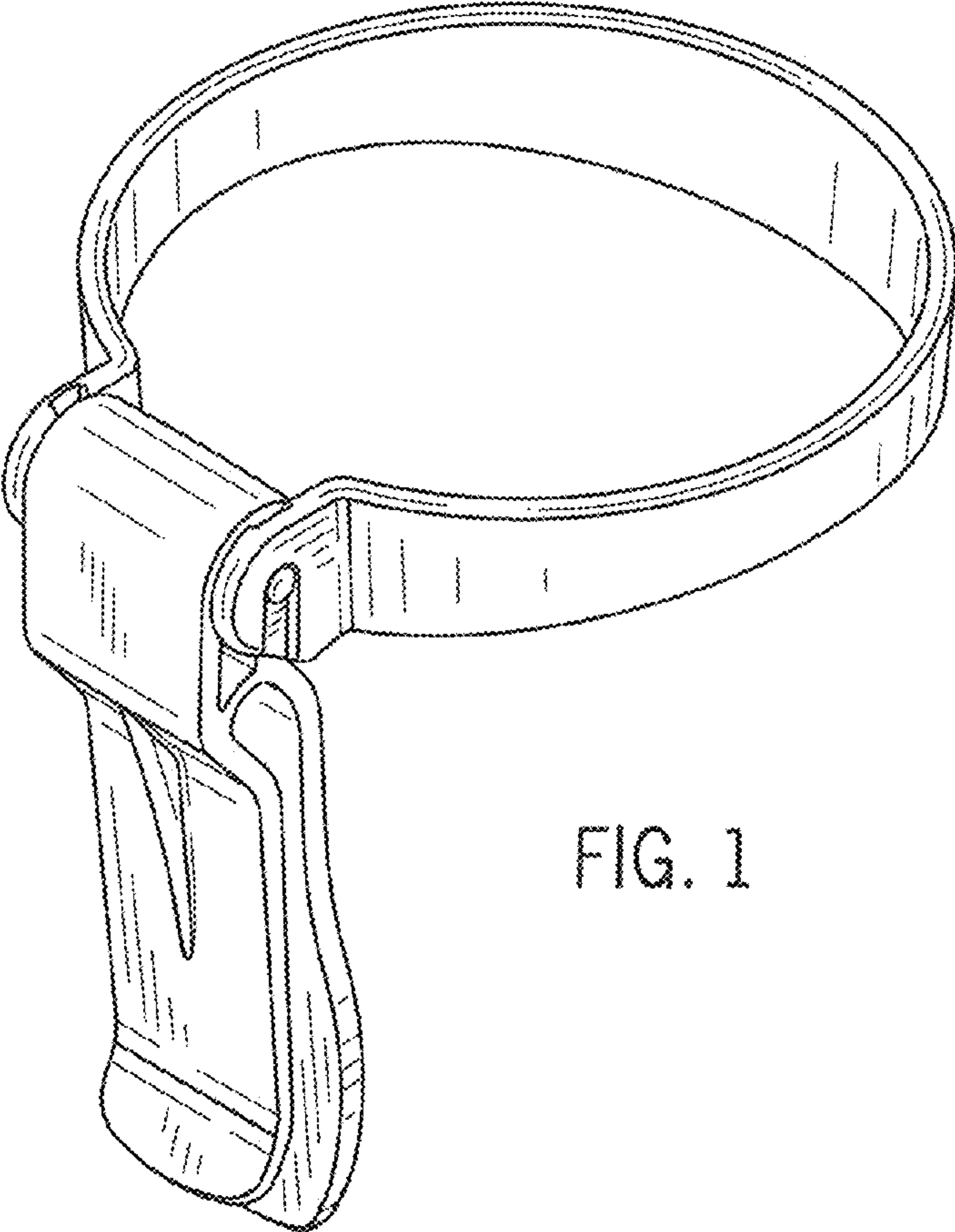


FIG. 1

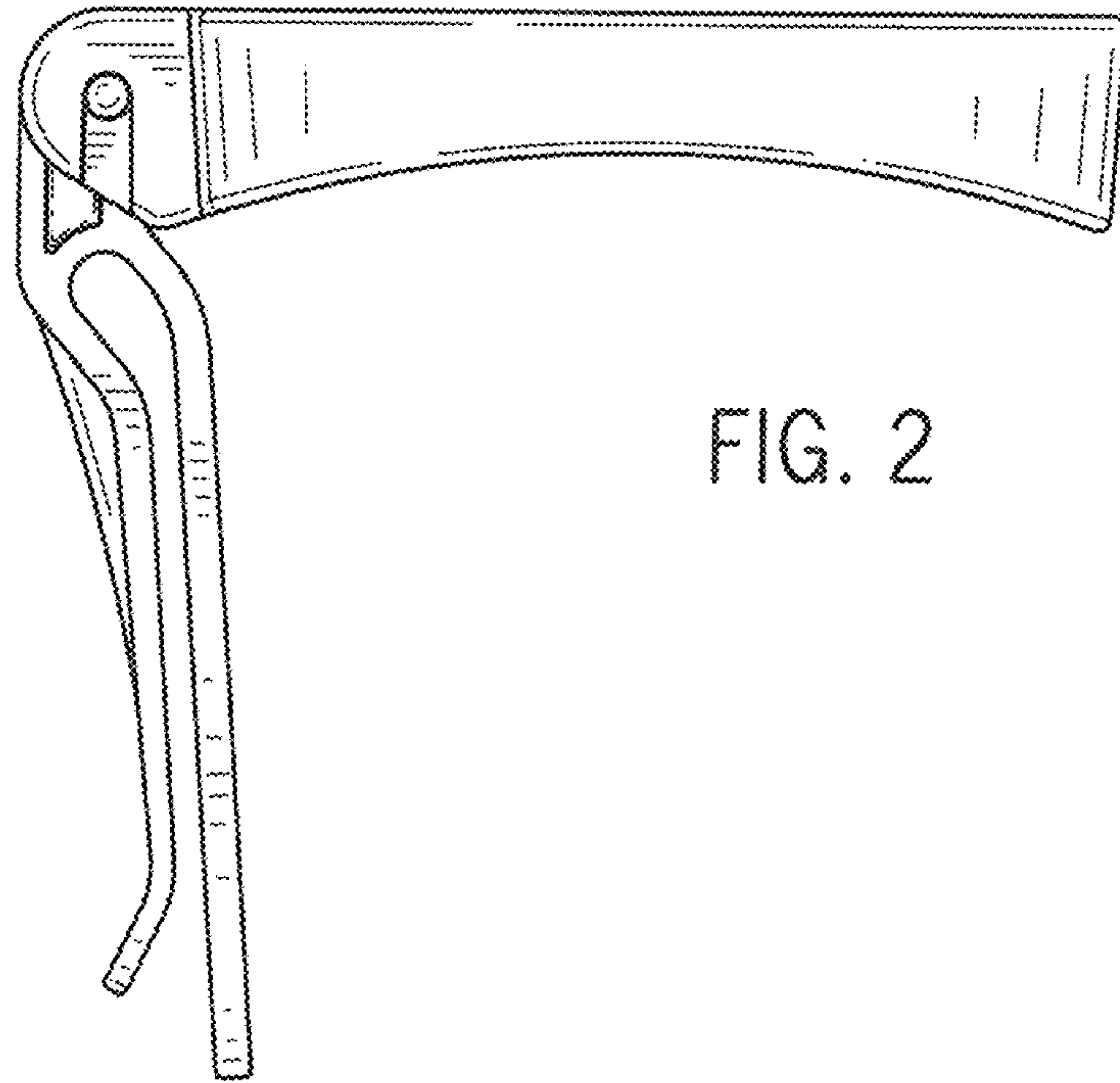


FIG. 2

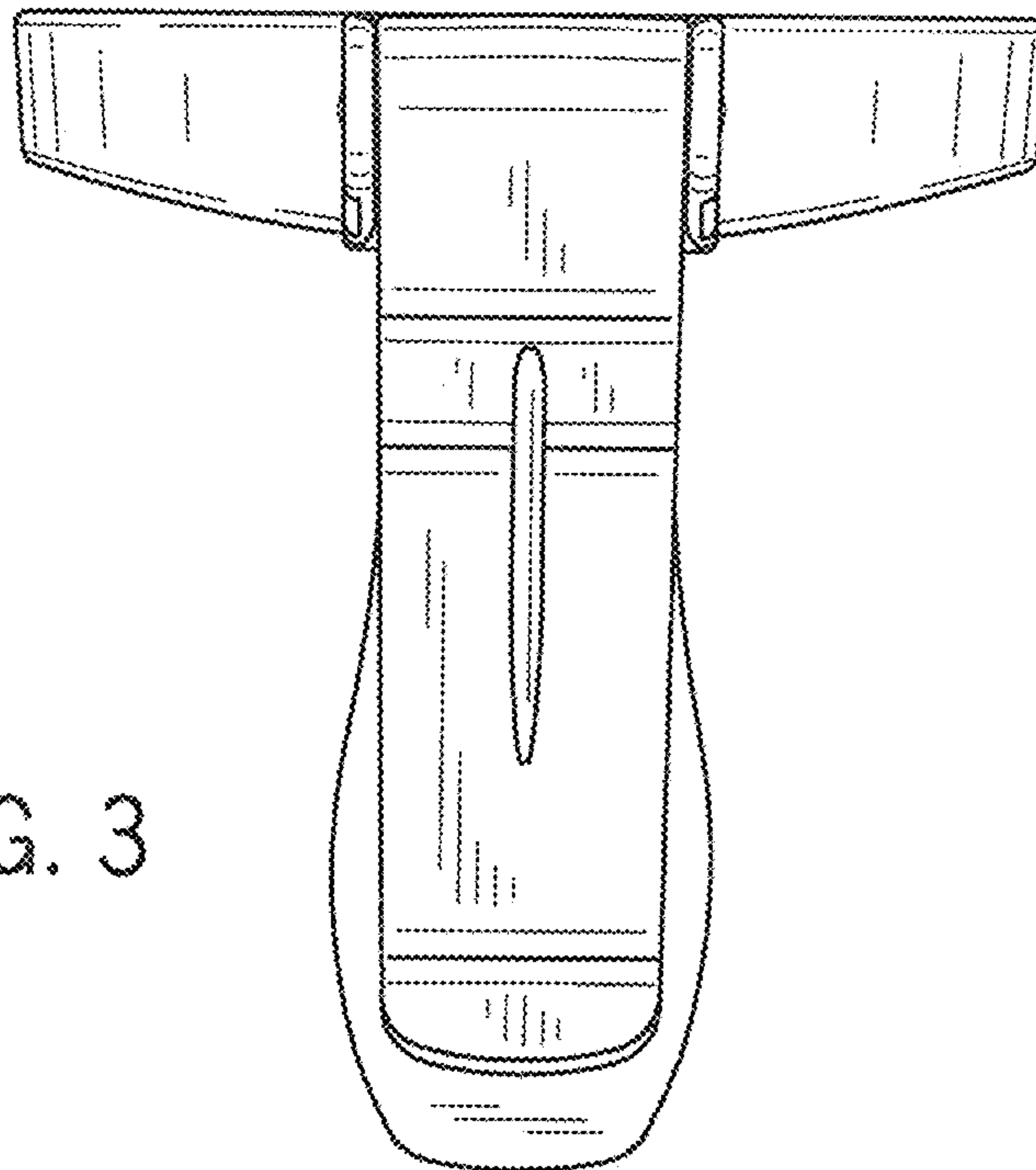


FIG. 3

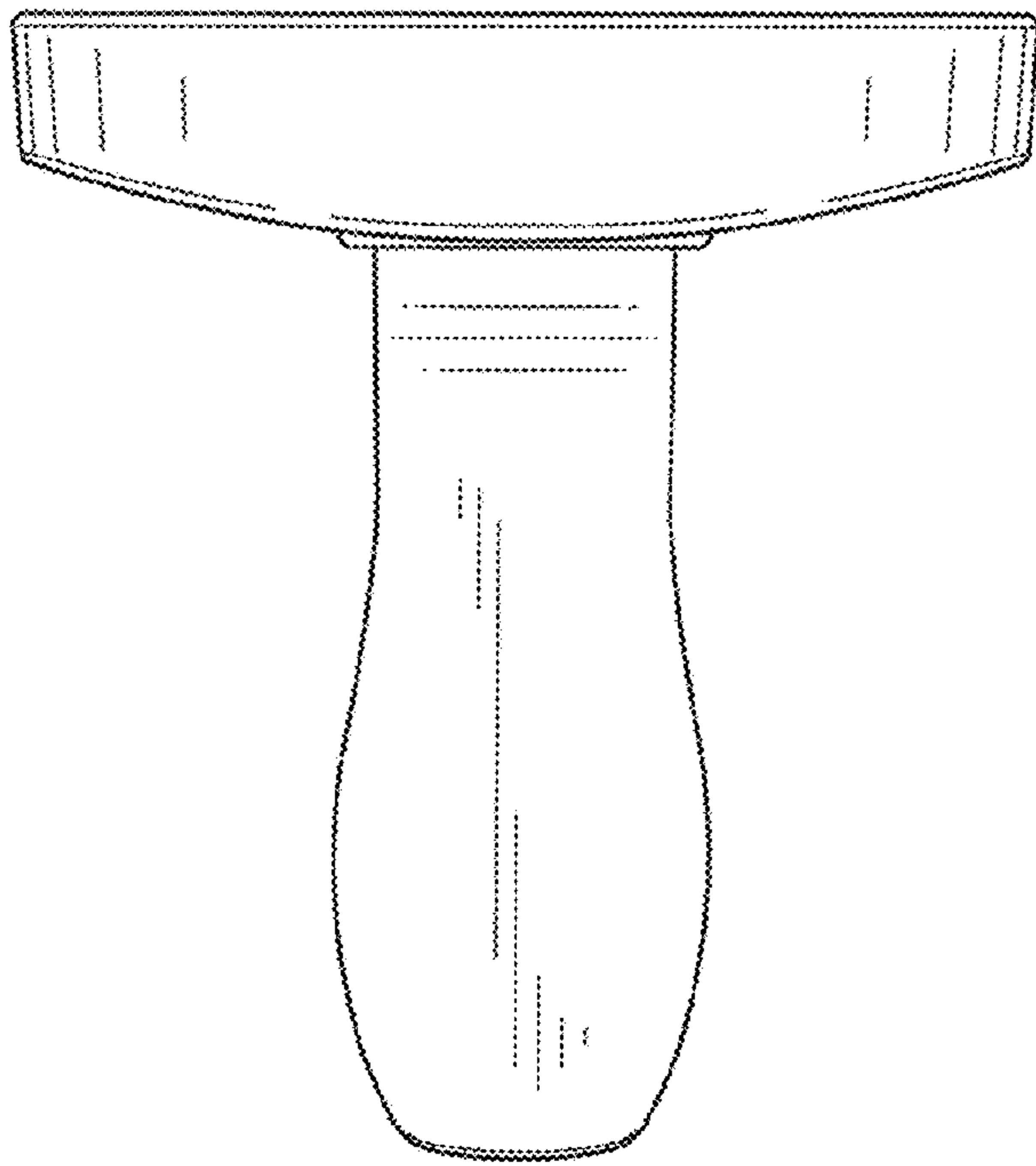


FIG. 4

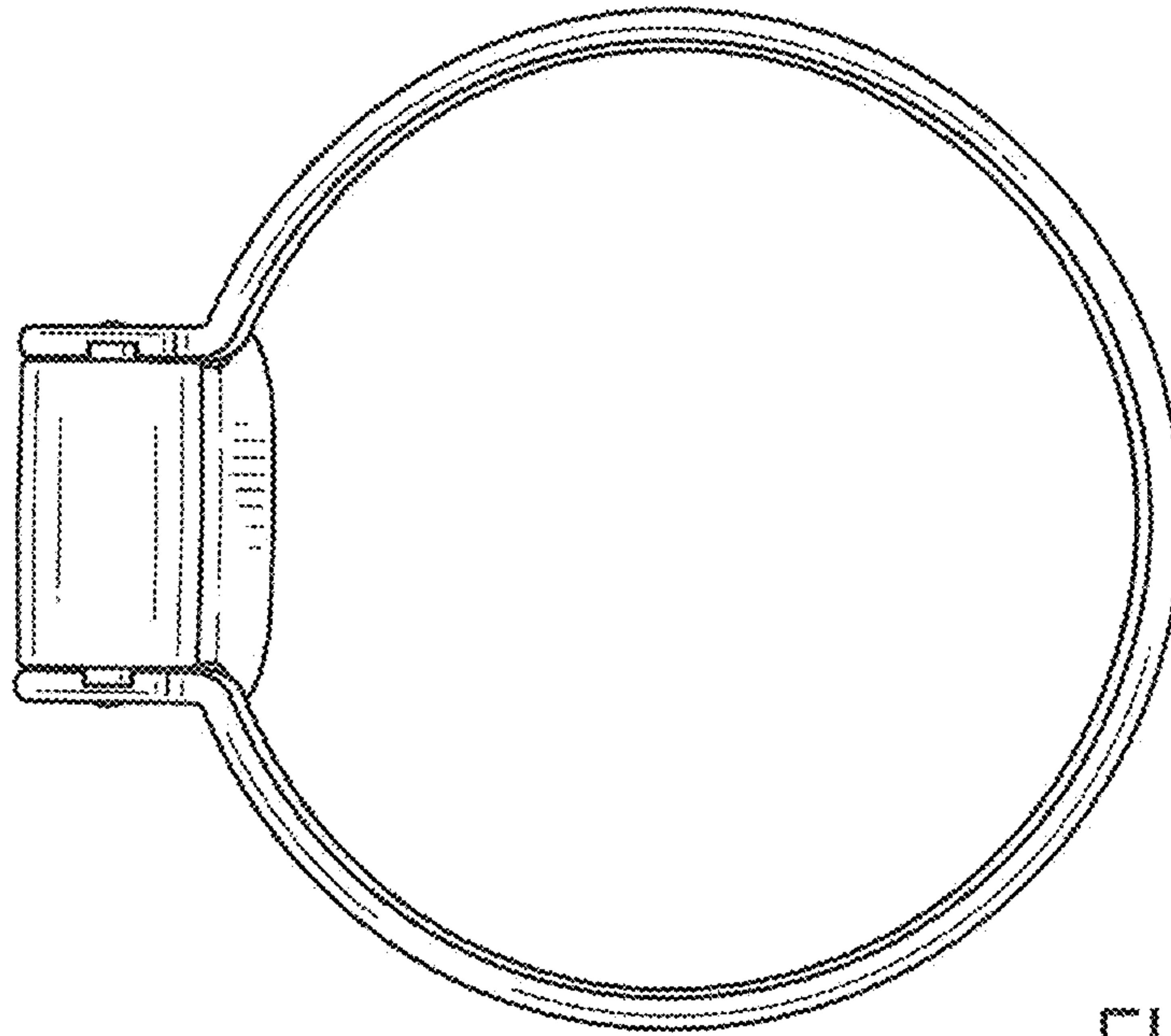


FIG. 5

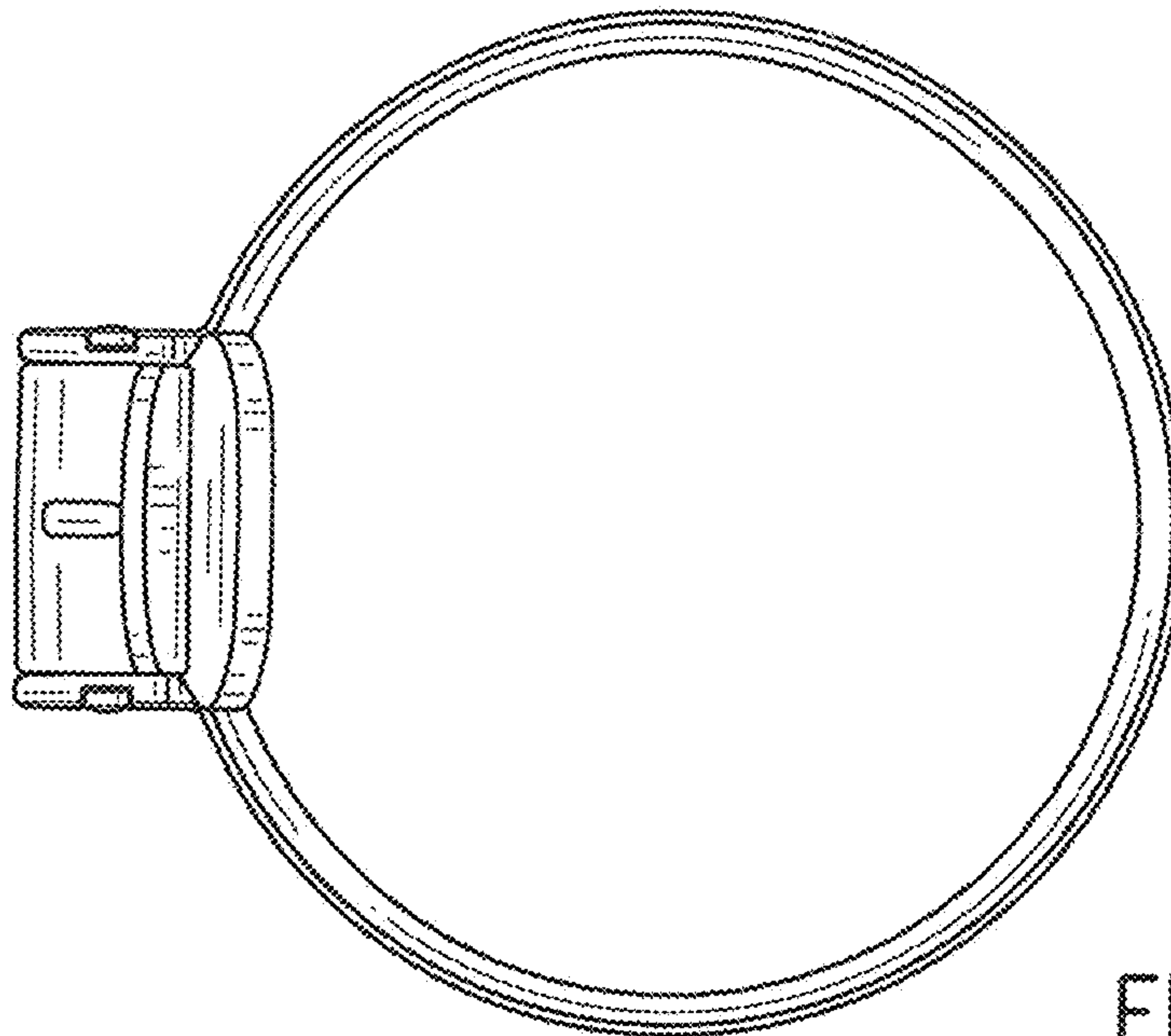


FIG. 6

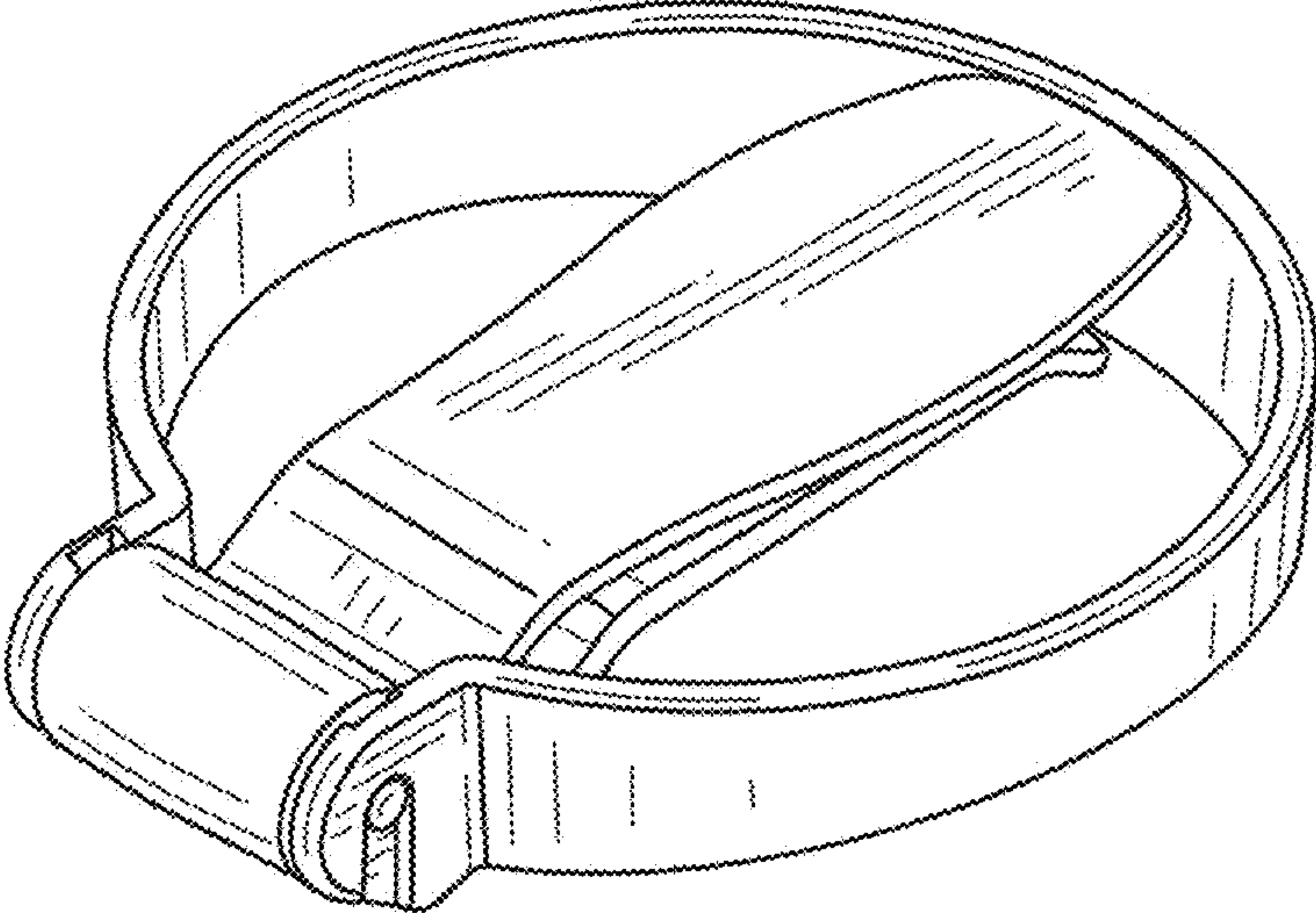


FIG. 7

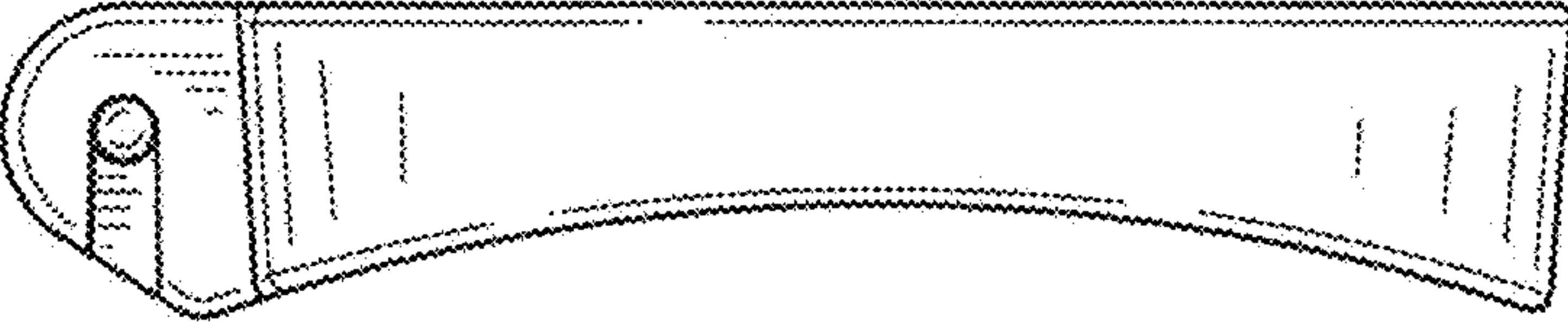


FIG. 8

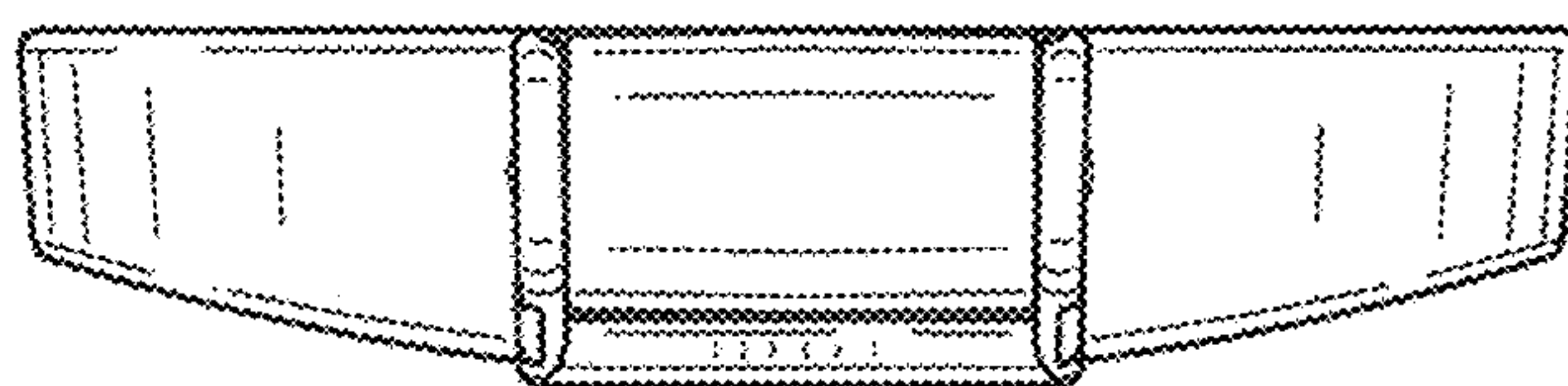


FIG. 9

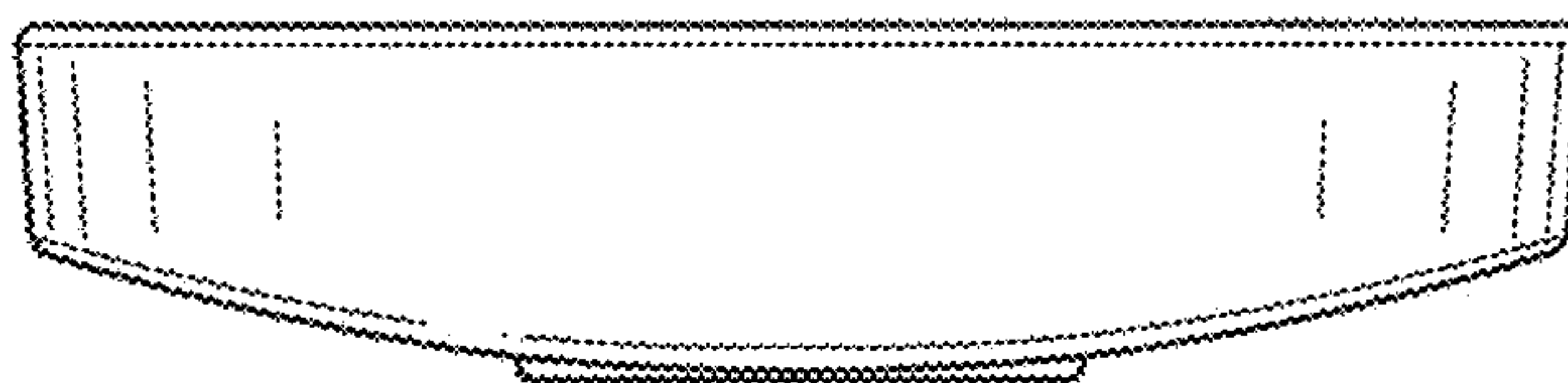


FIG. 10

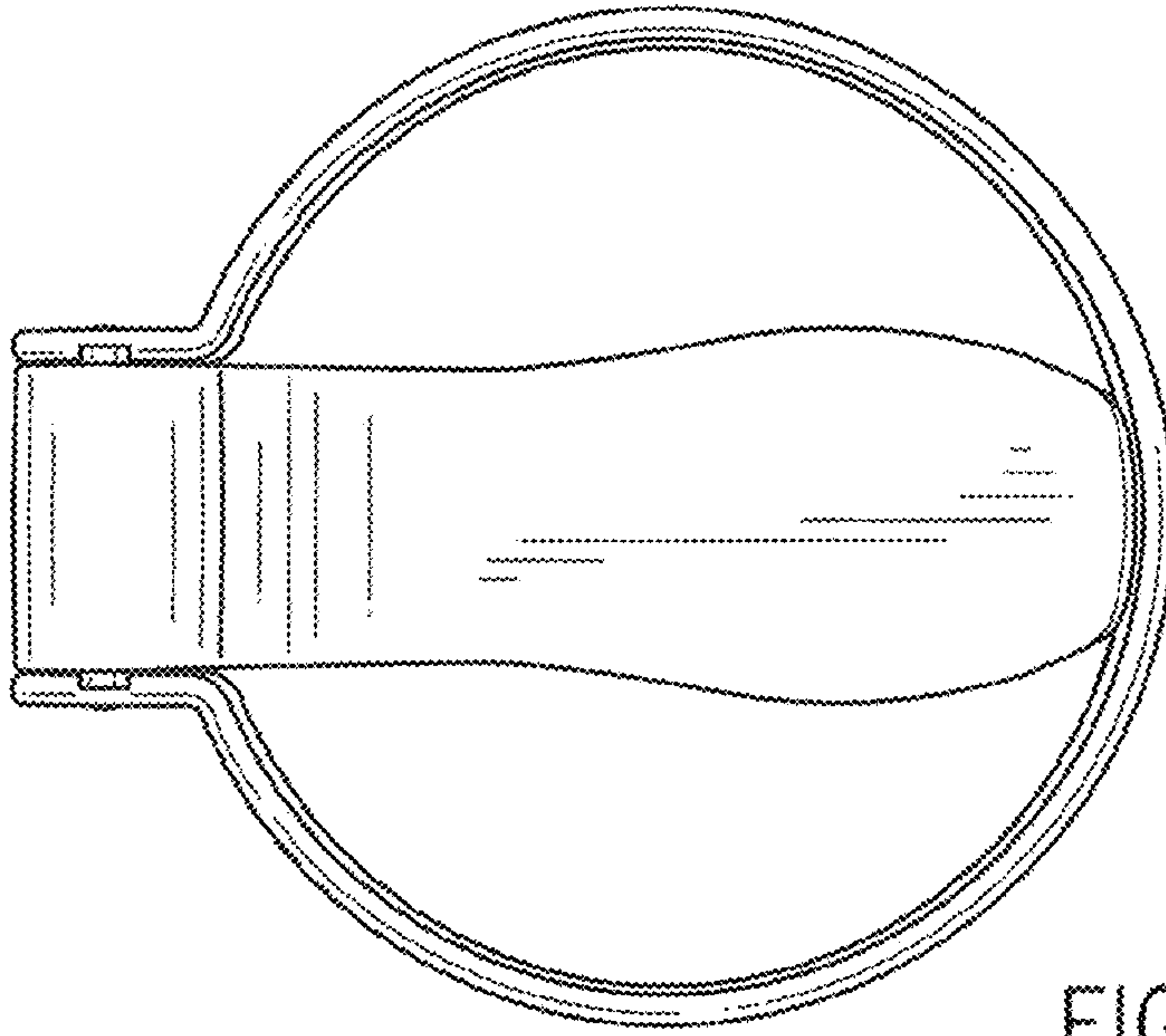


FIG. 11

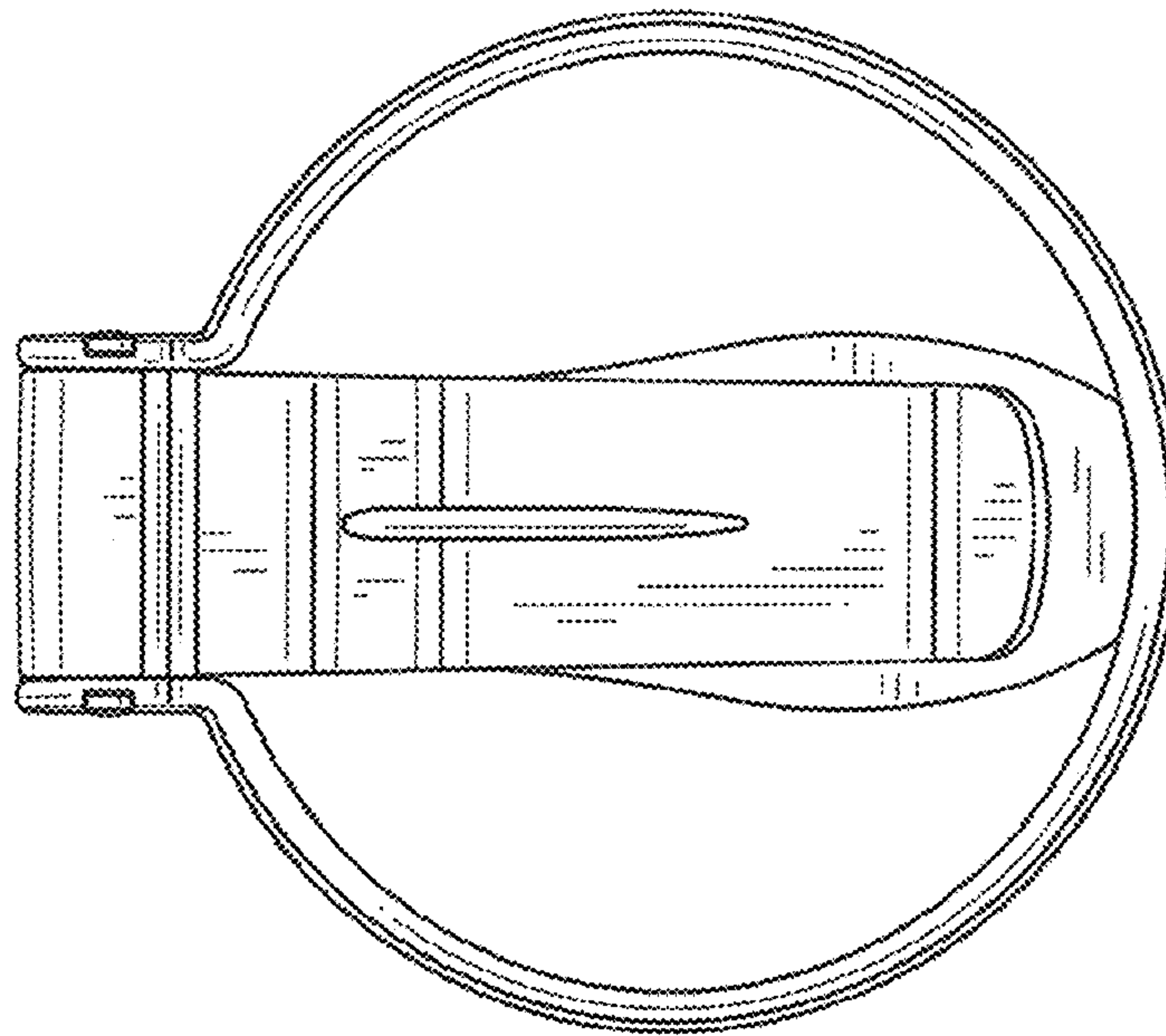


FIG. 12

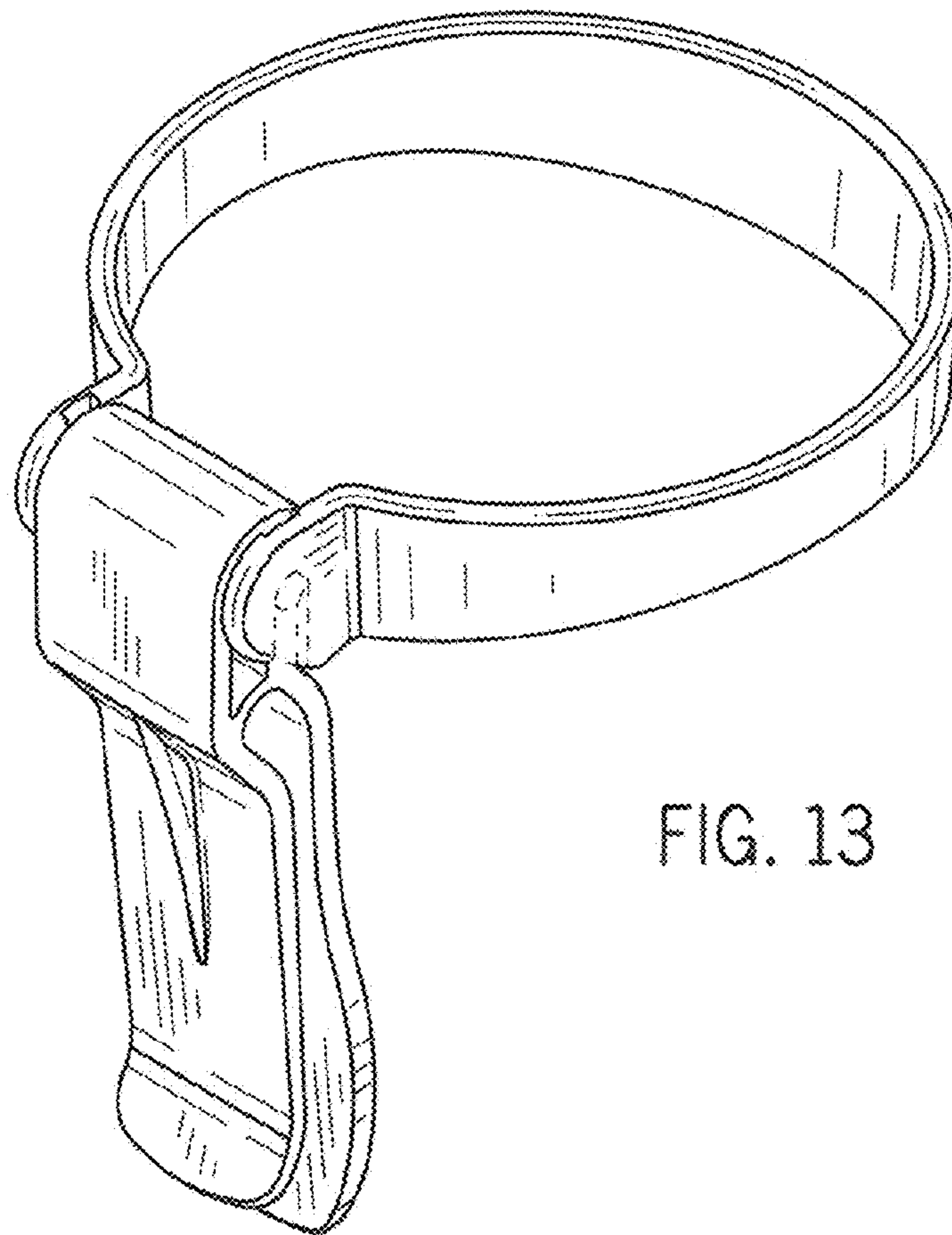


FIG. 13

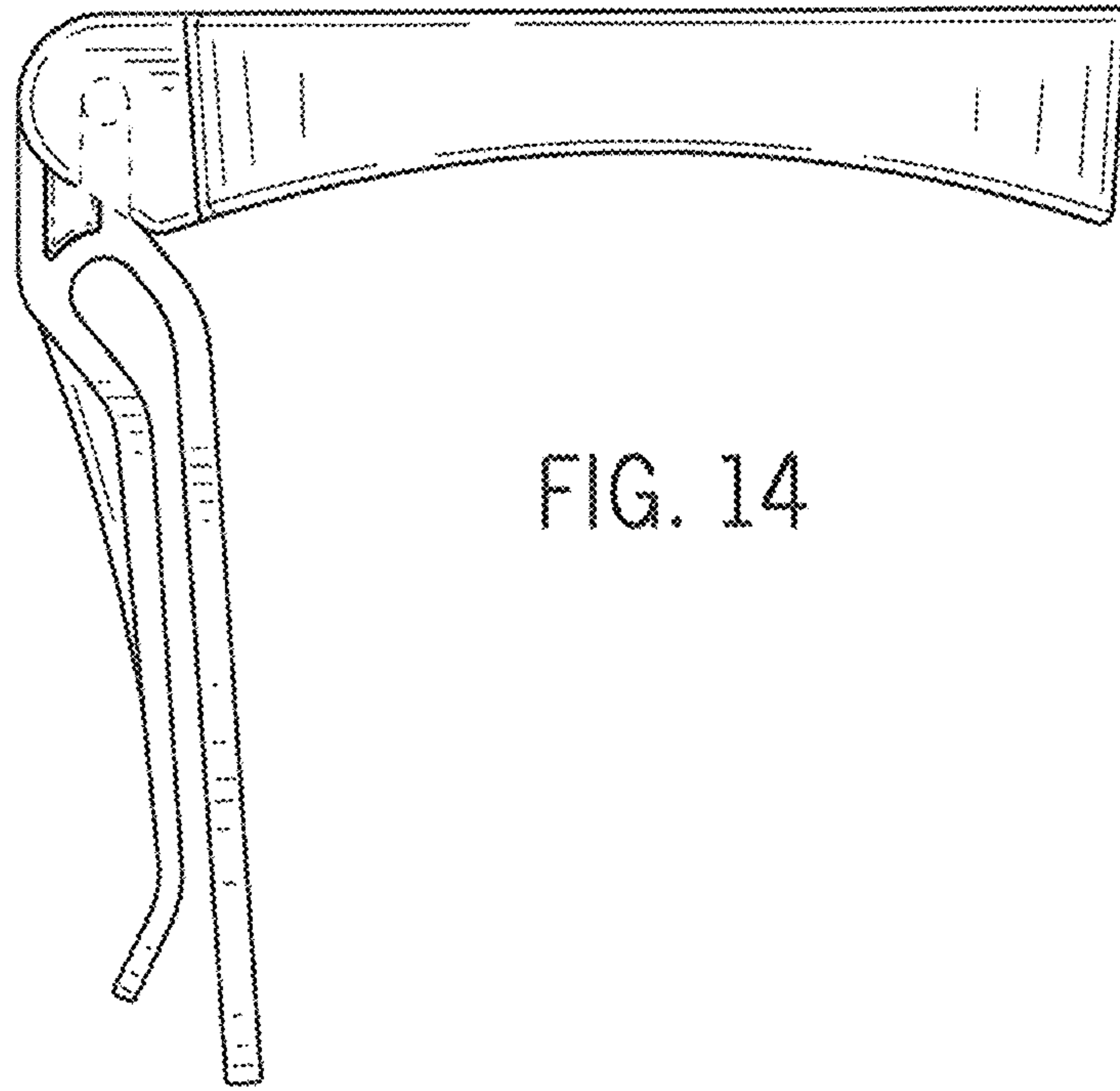


FIG. 14

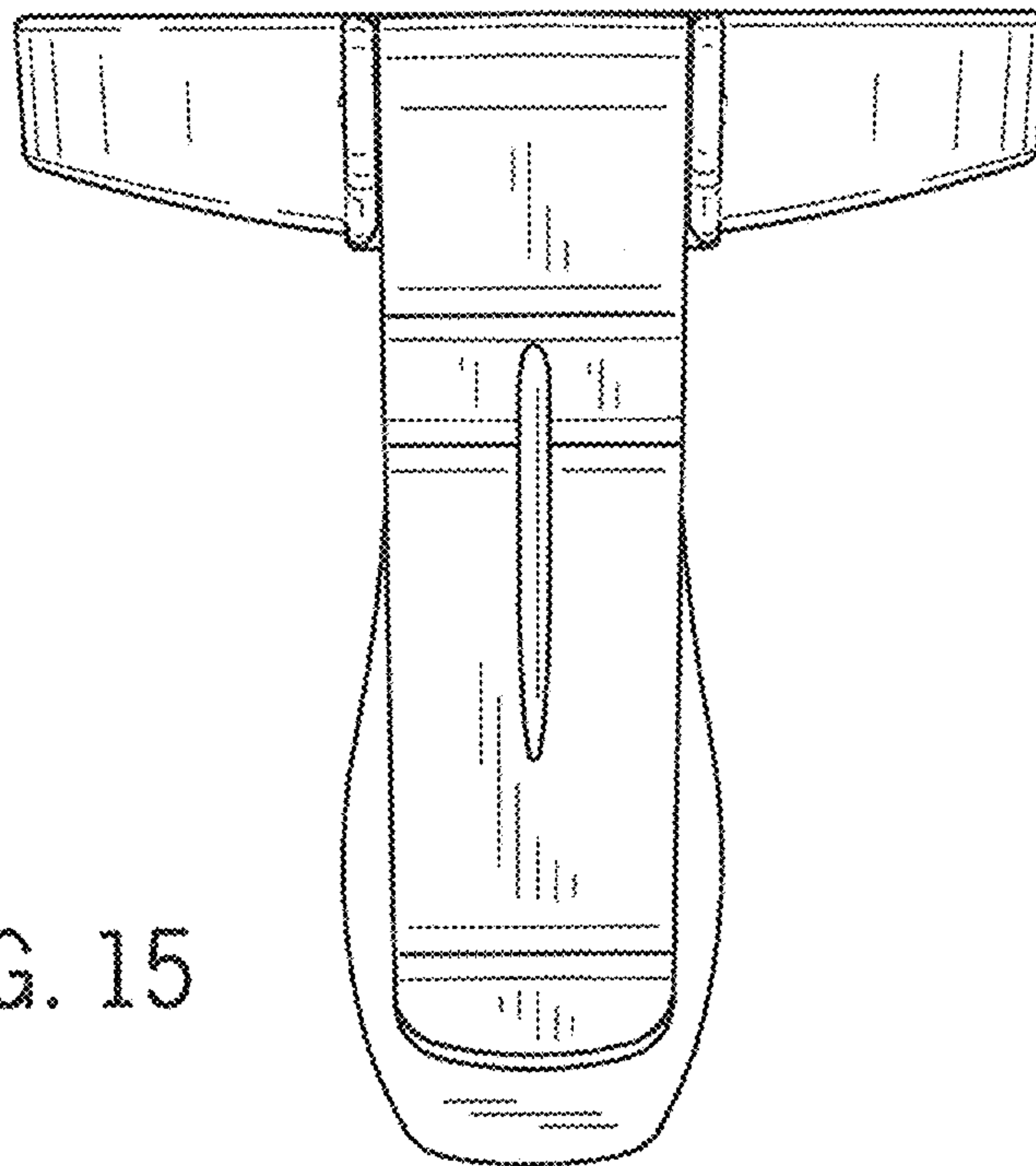


FIG. 15

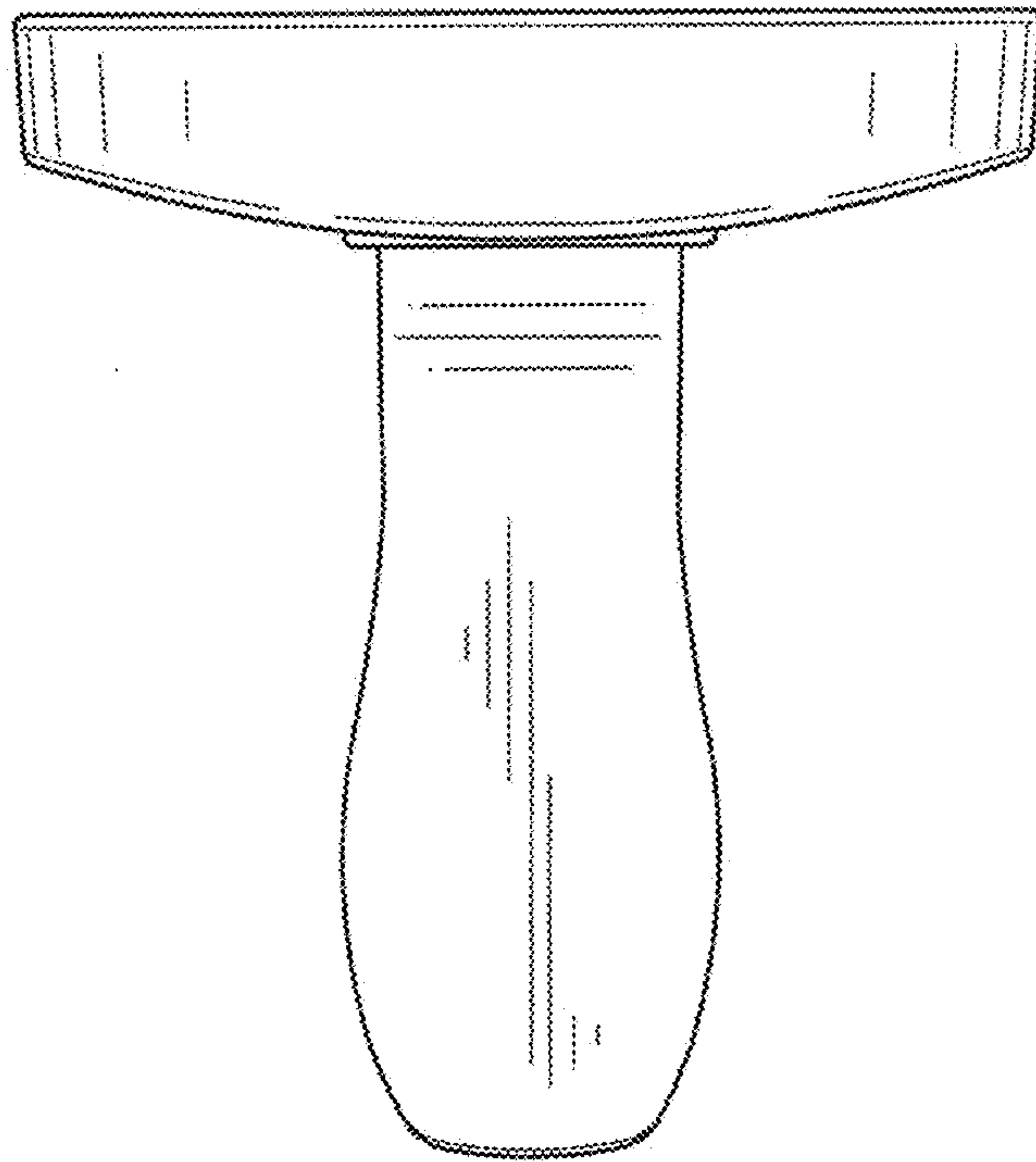


FIG. 16

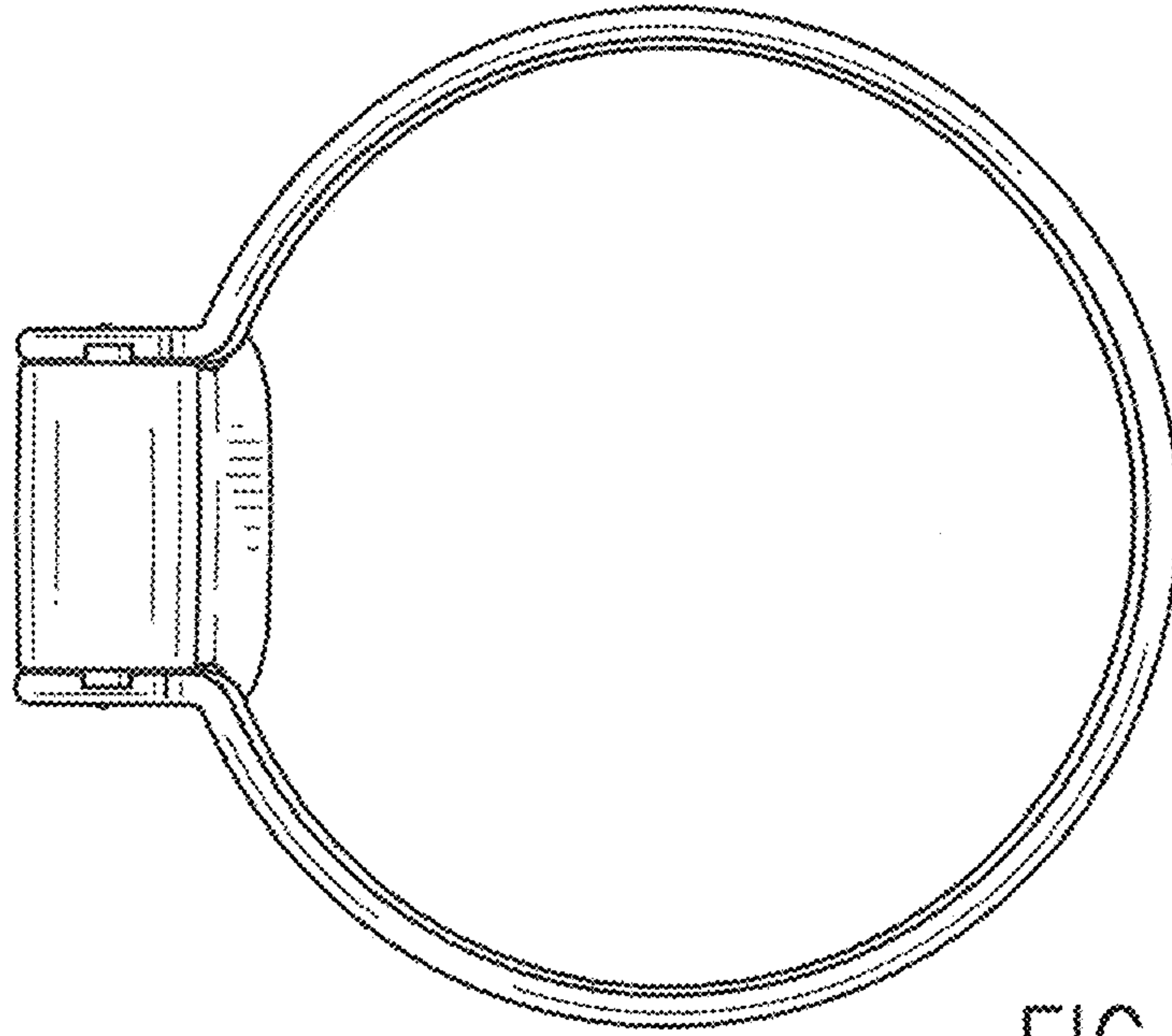


FIG. 17

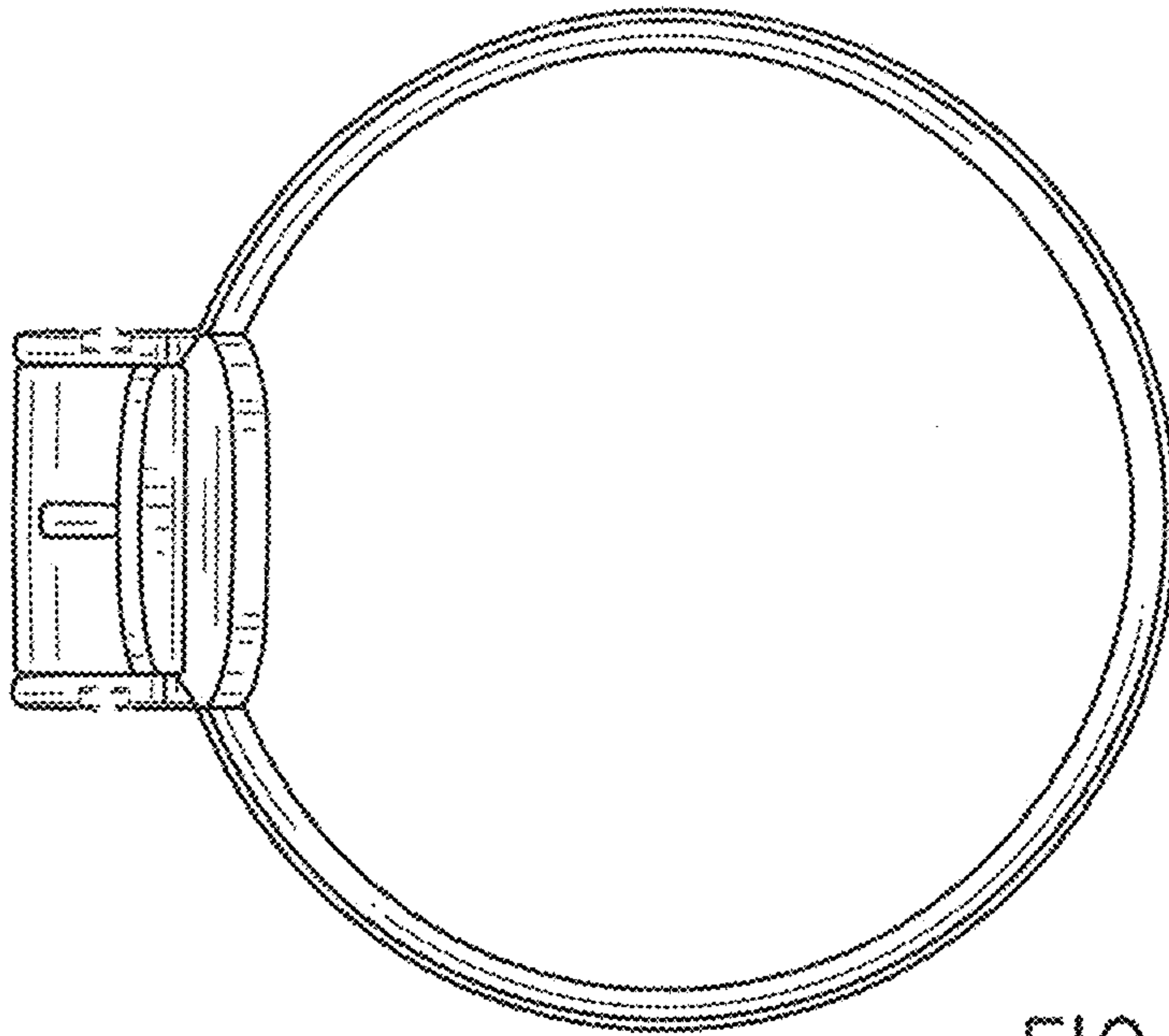


FIG. 18