



US00D747155S

(12) **United States Design Patent**
Goodman et al.

(10) **Patent No.:** **US D747,155 S**
(45) **Date of Patent:** **** Jan. 12, 2016**

(54) **LID RACK**

(71) Applicant: **Spectrum Diversified Designs, Inc.**,
Streetsboro, OH (US)

(72) Inventors: **Sheldon H. Goodman**, Solon, OH (US);
Phaysouk Xayoiphonh, Akron, OH
(US); **Christopher Francis Boron**,
North Ridgeville, OH (US)

(73) Assignee: **Spectrum Diversified Designs, LLC**,
Streetsboro, OH (US)

(**) Term: **14 Years**

(21) Appl. No.: **29/507,718**

(22) Filed: **Oct. 30, 2014**

(51) **LOC (10) Cl.** **07-99**

(52) **U.S. Cl.**
USPC **D7/601; D7/704**

(58) **Field of Classification Search**
USPC D7/704, 601, 409; D6/566, 675.5, 407,
D6/678.4, 682.6, 677.5; D32/55; D19/90,
D19/86, 75; 211/87.01, 41.11, 106, 119,
211/184, 11, 41.1-41.4, 70.7, 70.01, 40, 74,
211/85.25; 248/316.5, 176.2, 572
CPC A47J 36/12; A47J 47/16; A47F 5/0884
See application file for complete search history.

(56) **References Cited**

U.S. PATENT DOCUMENTS

1,266,245 A * 5/1918 Fuhrmann A47J 47/16
211/41.11
1,842,118 A * 1/1932 Resnik A47J 47/16
211/106
1,986,486 A * 1/1935 Swanson A47J 47/16
211/106
4,776,469 A * 10/1988 Geleziunas A47J 47/16

211/41.11
5,683,010 A * 11/1997 Boyajian, Jr. A47J 36/12
220/744
D671,798 S * 12/2012 Carroll D7/601
2006/0261021 A1 * 11/2006 Stagnaro A47J 47/16
211/119
2009/0057246 A1 * 3/2009 Kraft A47J 45/02
211/41.11

* cited by examiner

Primary Examiner — Terry Wallace

(74) *Attorney, Agent, or Firm* — Benesch Friedlander
Coplan & Aronoff LLP

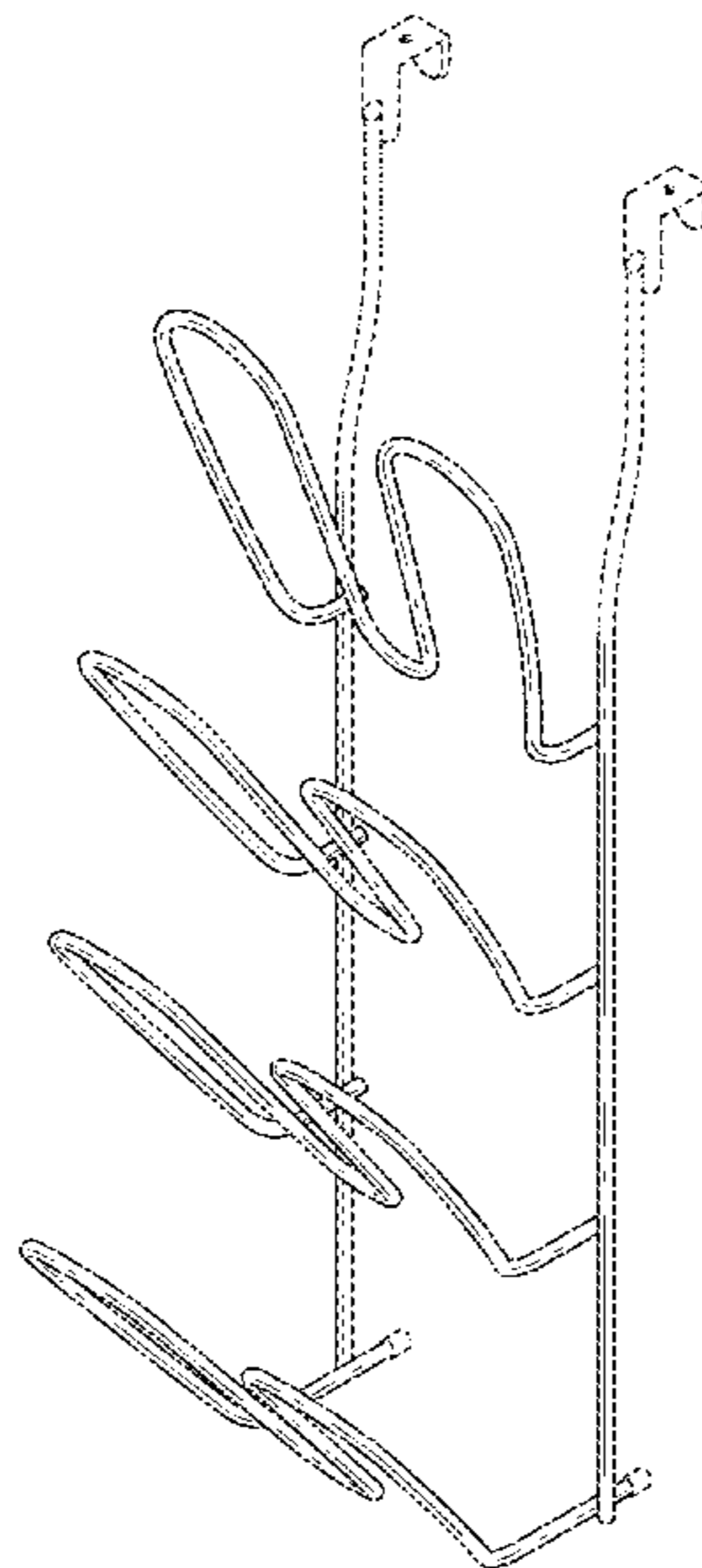
(57) **CLAIM**

What is claimed is the ornamental design for a lid rack, as
shown and described.

DESCRIPTION

FIG. 1 is a perspective view of a lid rack showing a new
design;
FIG. 2 is a front view of the lid rack of FIG. 1;
FIG. 3 is a side view of the lid rack of FIG. 1;
FIG. 4 is a top view of the lid rack of FIG. 1;
FIG. 5 is a bottom view of the lid rack of FIG. 1;
FIG. 6 is a rear view of the lid rack of FIG. 1;
FIG. 7 is a perspective view of another embodiment of the lid
rack of FIG. 1;
FIG. 8 is a perspective view of another embodiment of the lid
rack showing a new design;
FIG. 9 is a front view of the lid rack of FIG. 8;
FIG. 10 is a rear view of the lid rack of FIG. 8;
FIG. 11 is a side view of the lid rack of FIG. 8;
FIG. 12 is a top view of the lid rack of FIG. 8; and,
FIG. 13 is a bottom view of the lid rack of FIG. 8.
The components of the display shown in broken lines illus-
trate portions of the lid rack form no part of the claimed
design.

1 Claim, 7 Drawing Sheets



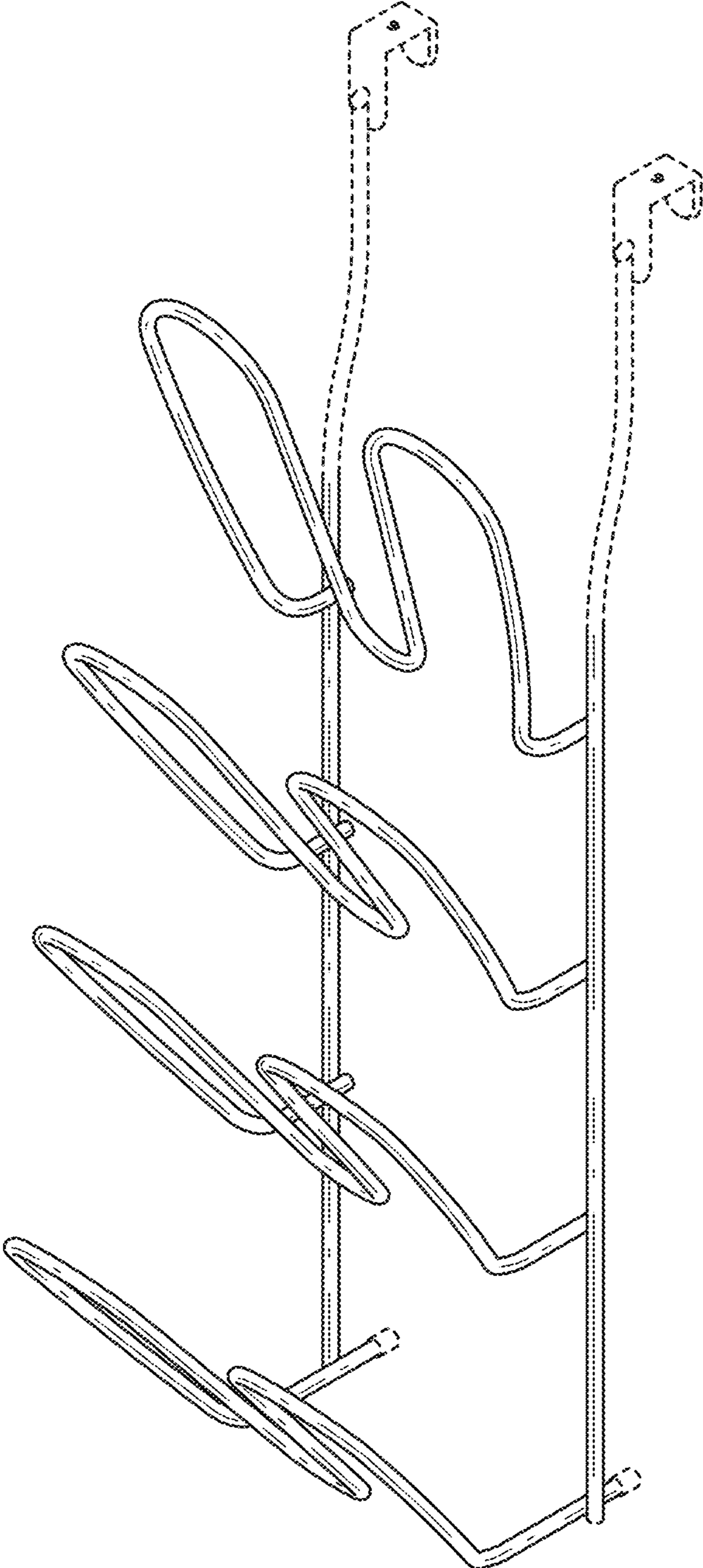


FIG 1

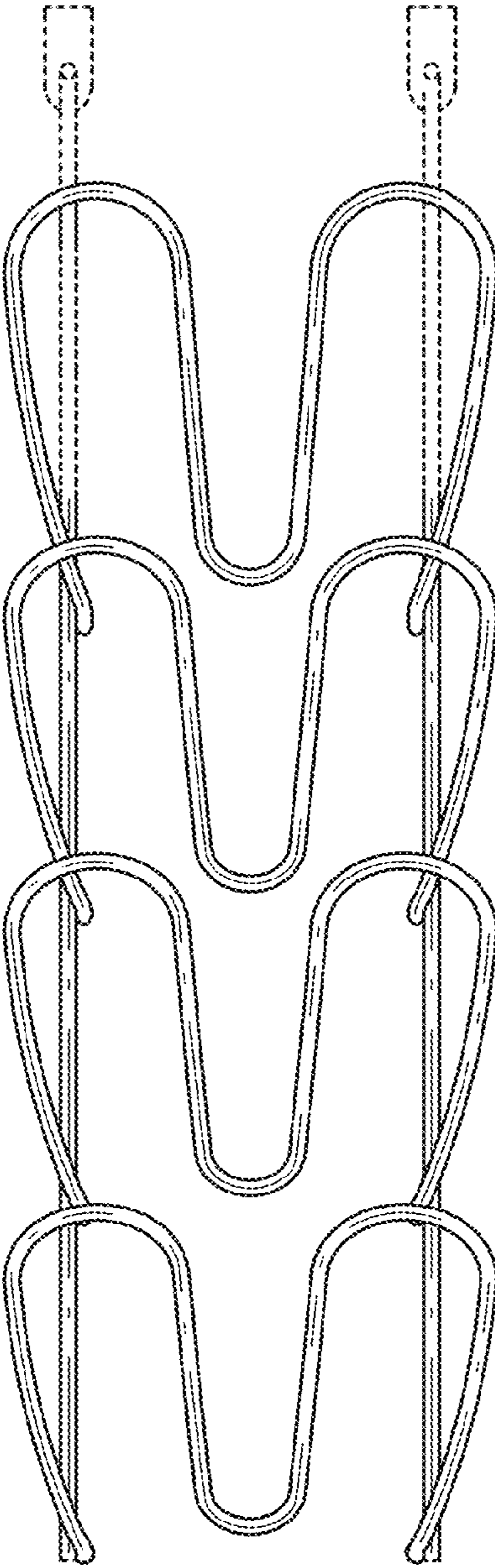


FIG 2

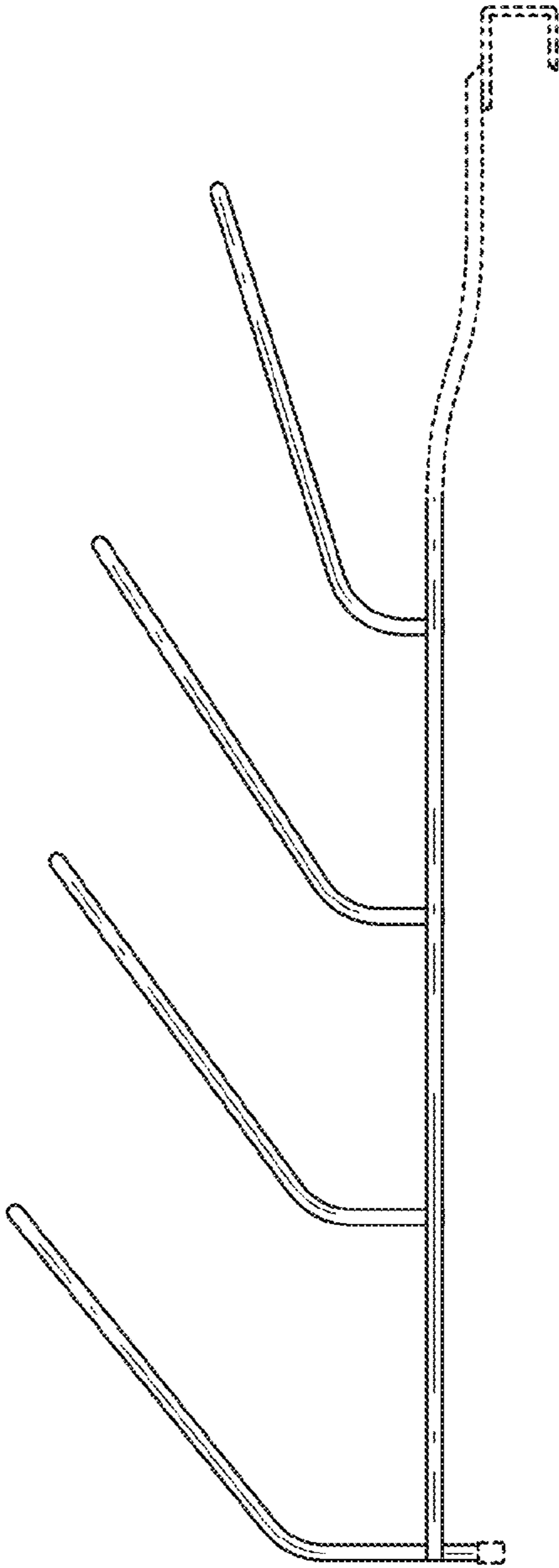


FIG 3

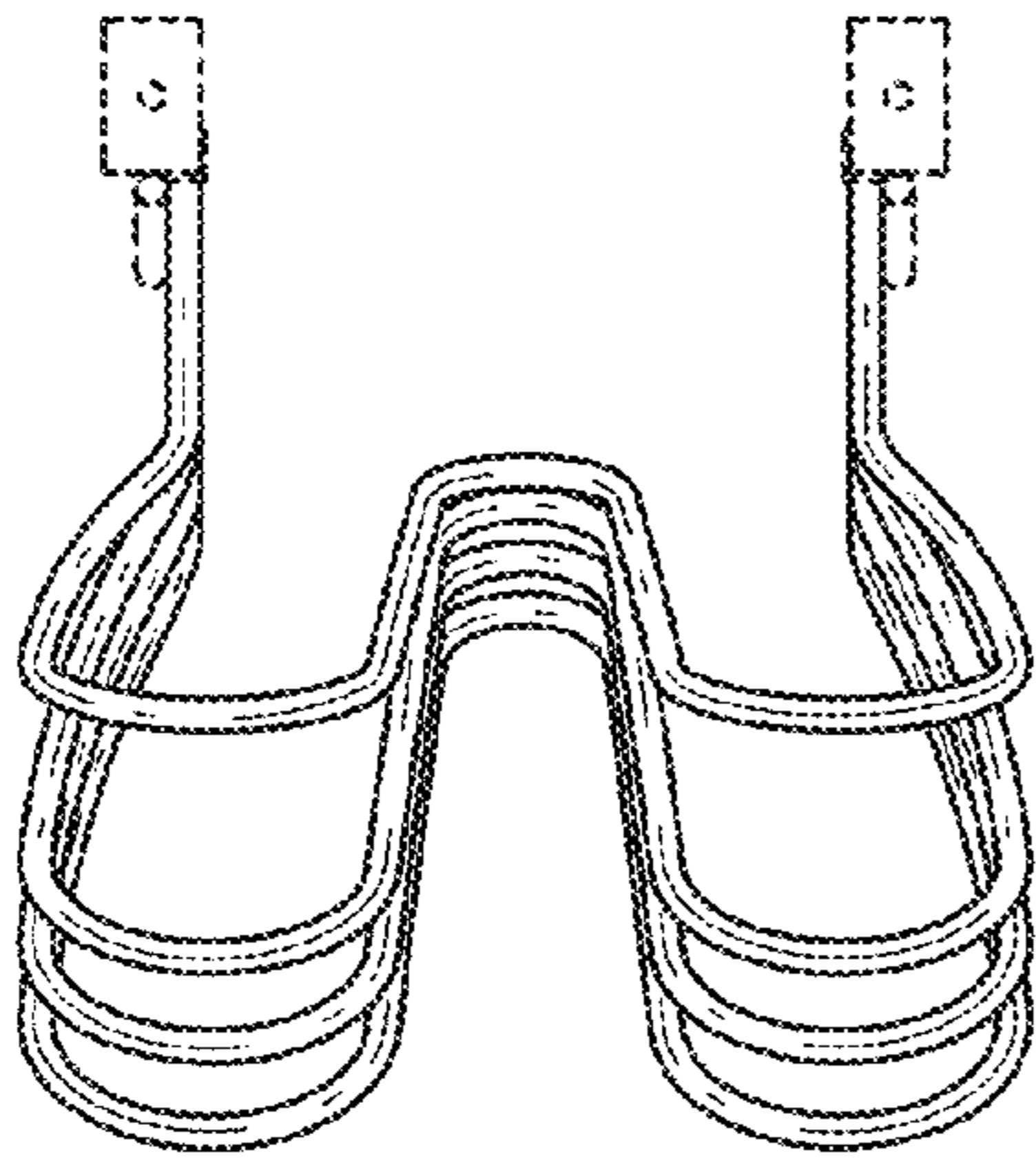


FIG 4

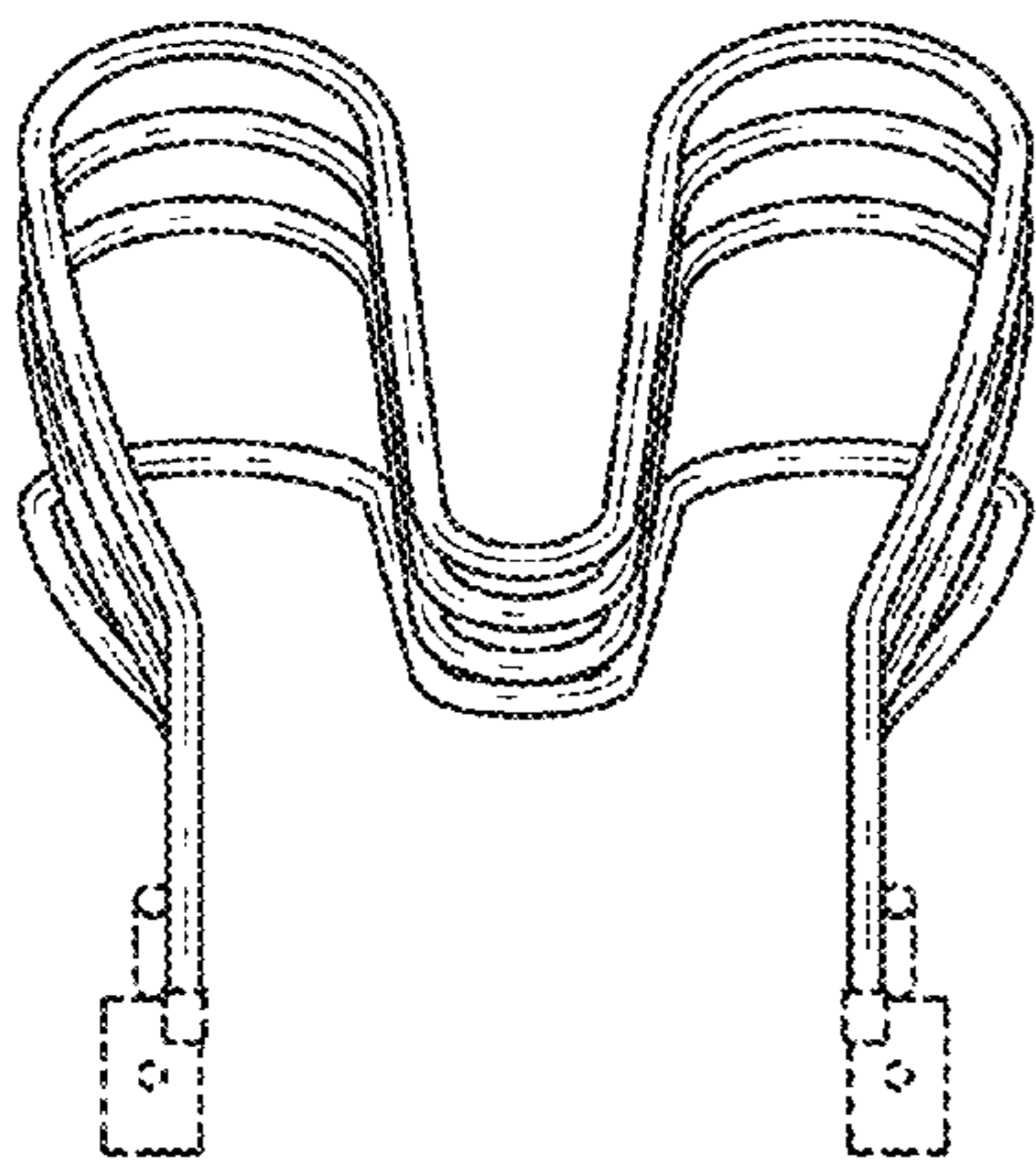


FIG 5

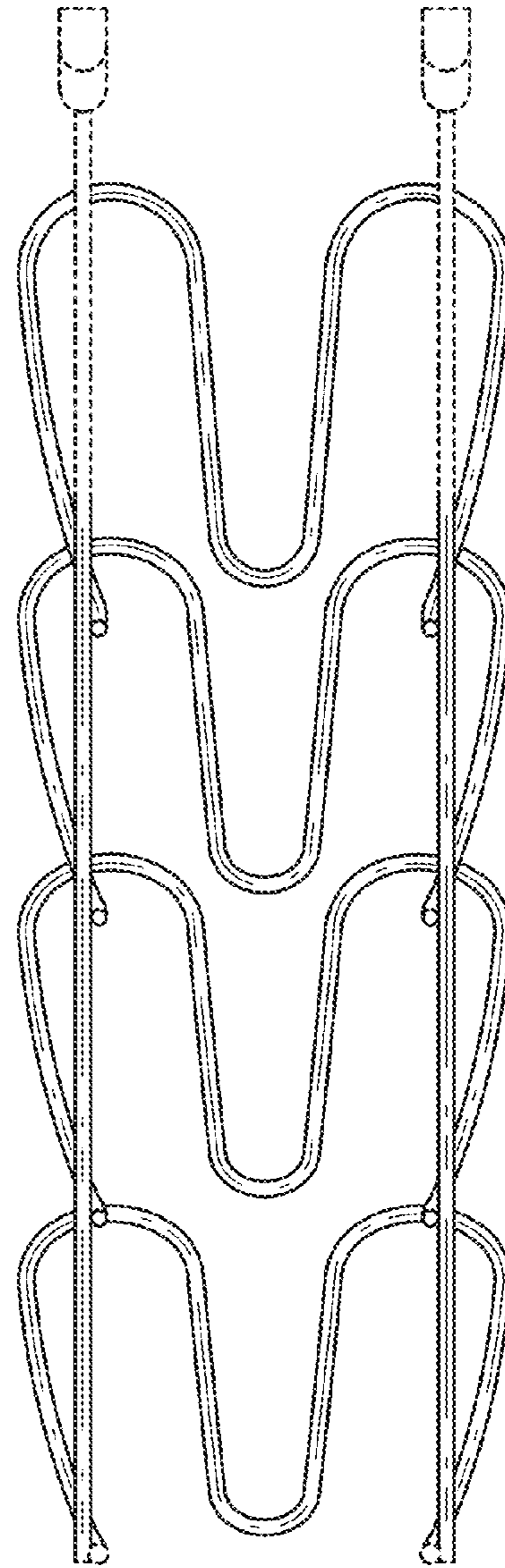


FIG 6

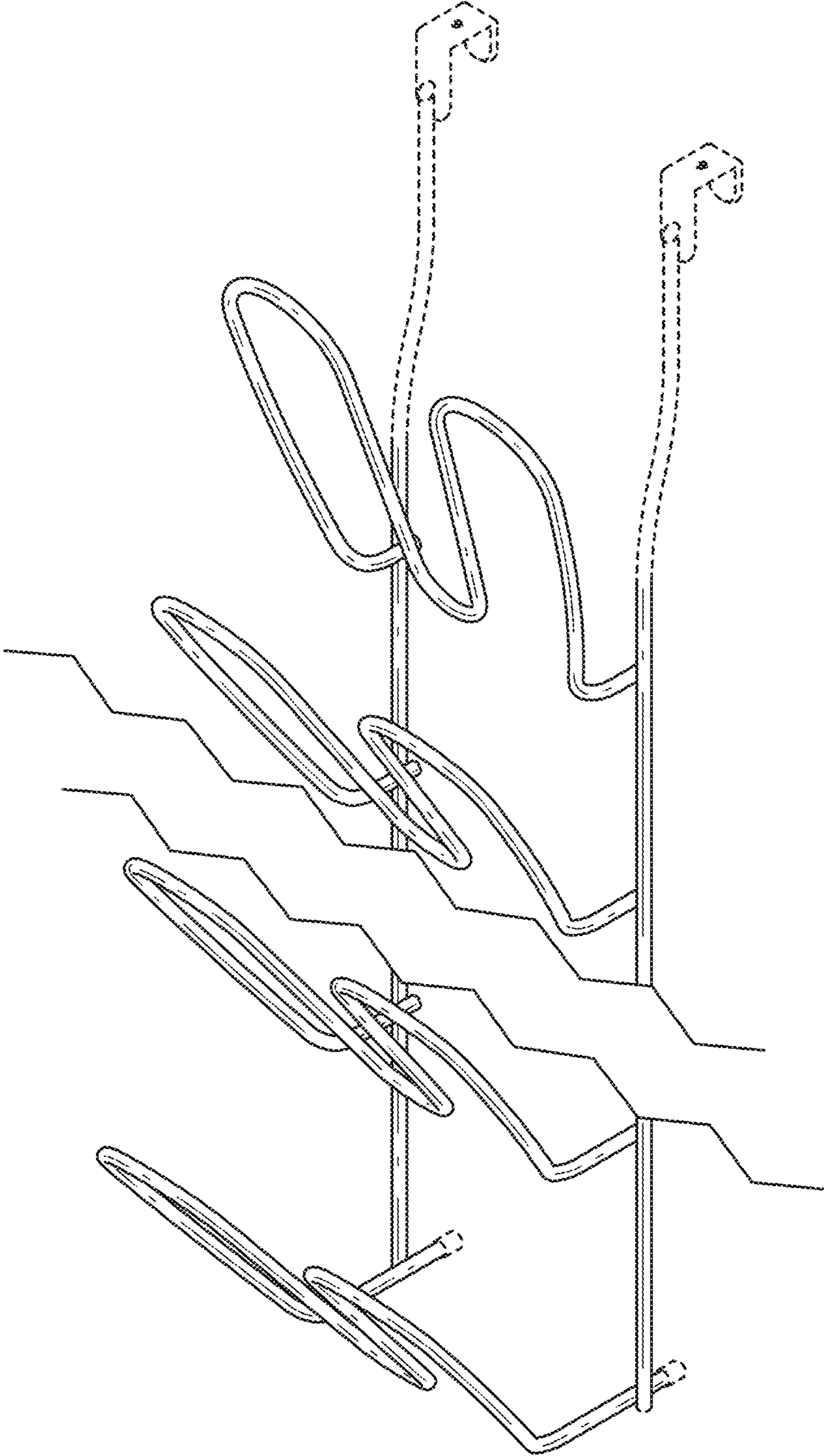


FIG 7

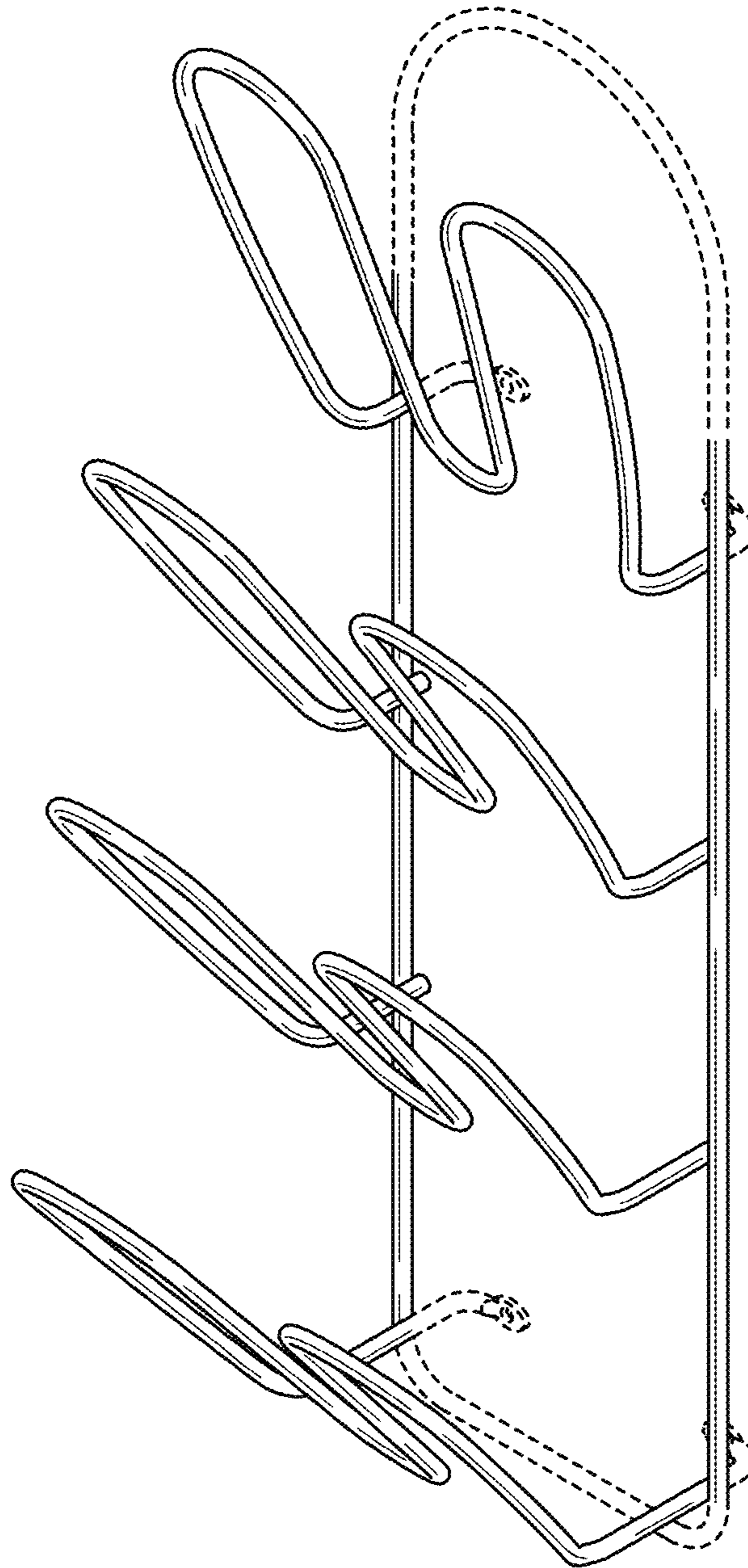


FIG. 8

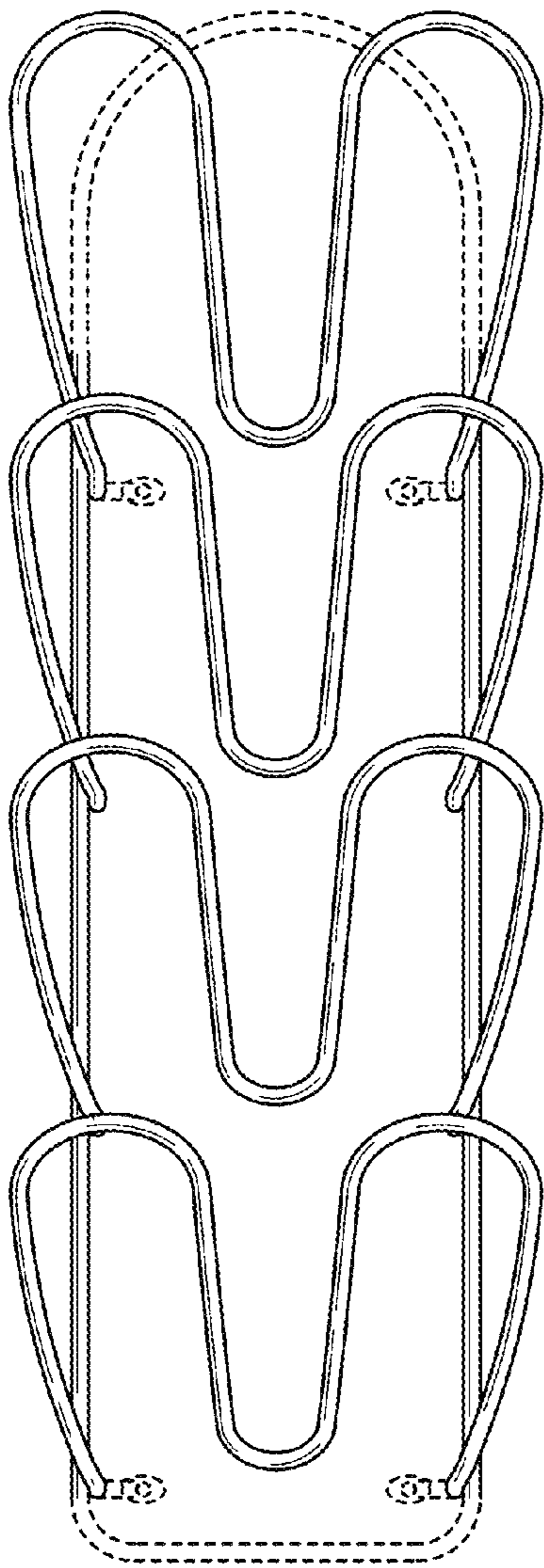


FIG. 9

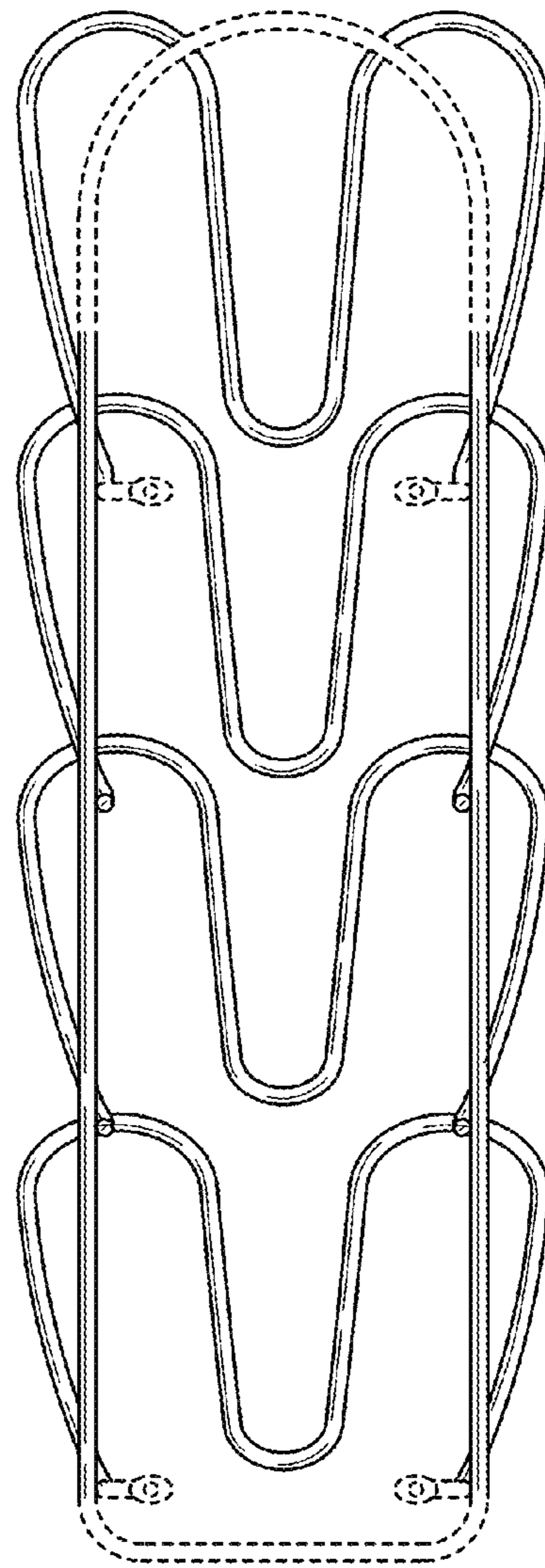


FIG. 10

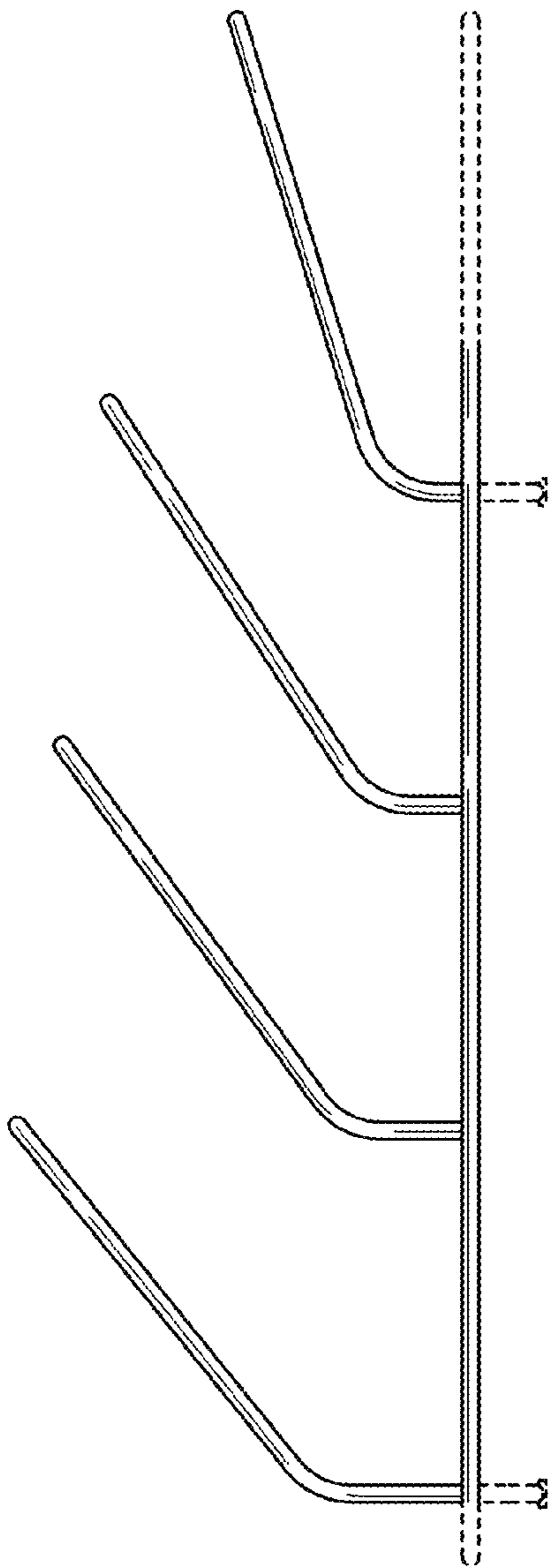


FIG. 11

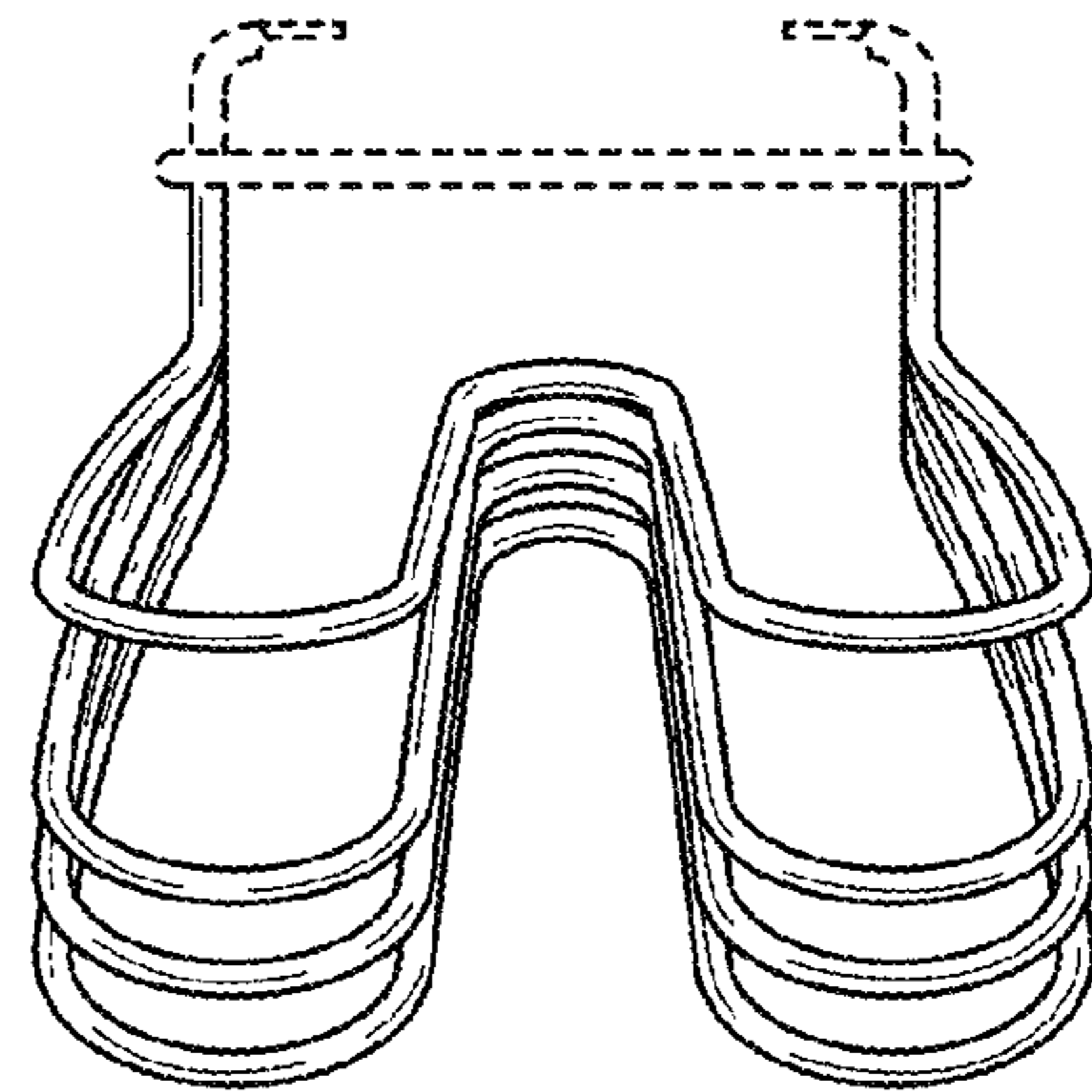


FIG. 12

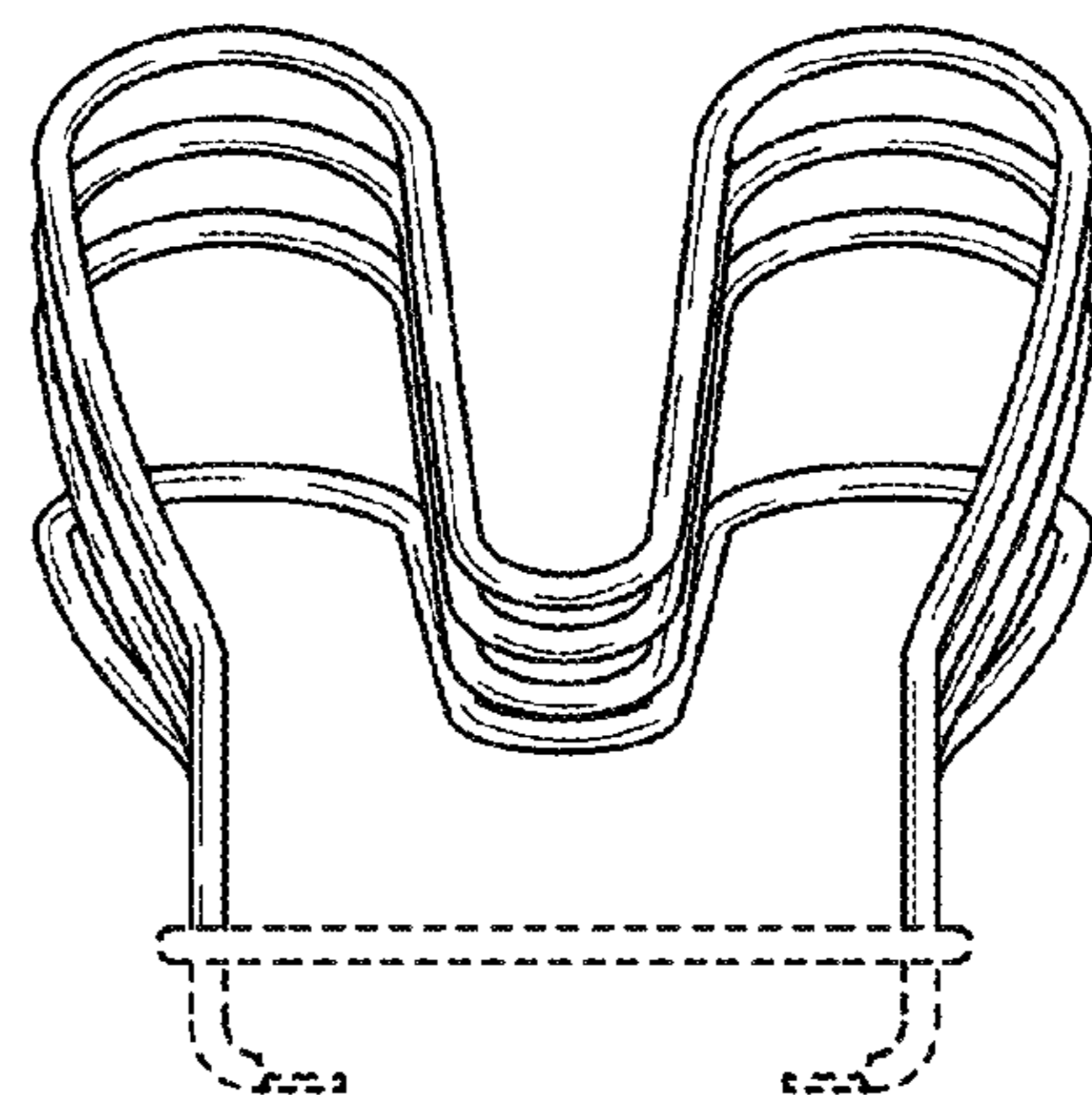


FIG. 13