



US00D747154S

(12) **United States Design Patent**
Gold et al.

(10) **Patent No.:** **US D747,154 S**
(45) **Date of Patent:** **** Jan. 12, 2016**

(54) **FOOD PRESENTATION STAND**
(71) Applicants: **Gil Gold**, Skokie, IL (US); **Tamir Levy**,
Skokie, IL (US)
(72) Inventors: **Gil Gold**, Skokie, IL (US); **Tamir Levy**,
Skokie, IL (US)
(73) Assignee: **Gold & Levy, Inc.**, Lincolnwood, IL
(US)

(**) Term: **14 Years**
(21) Appl. No.: **29/496,053**

(22) Filed: **Jul. 9, 2014**
(51) **LOC (10) Cl.** **07-01**
(52) **U.S. Cl.**
USPC **D7/601**; D7/600.4
(58) **Field of Classification Search**
USPC D7/601, 600.1-600.4; D6/512, 675,
D6/682.4, 672, 403, 405, 678.2, 677.3,
D6/681.3
CPC A47B 81/007; A47B 43/00; A47B 13/16;
A47J 47/16; A47F 5/04; A47F 7/28; A47F
7/283; A47G 7/041
See application file for complete search history.

(56) **References Cited**
U.S. PATENT DOCUMENTS
3,948,191 A * 4/1976 Hatherley A47B 43/00
108/100
D254,886 S * 5/1980 Haines D6/405

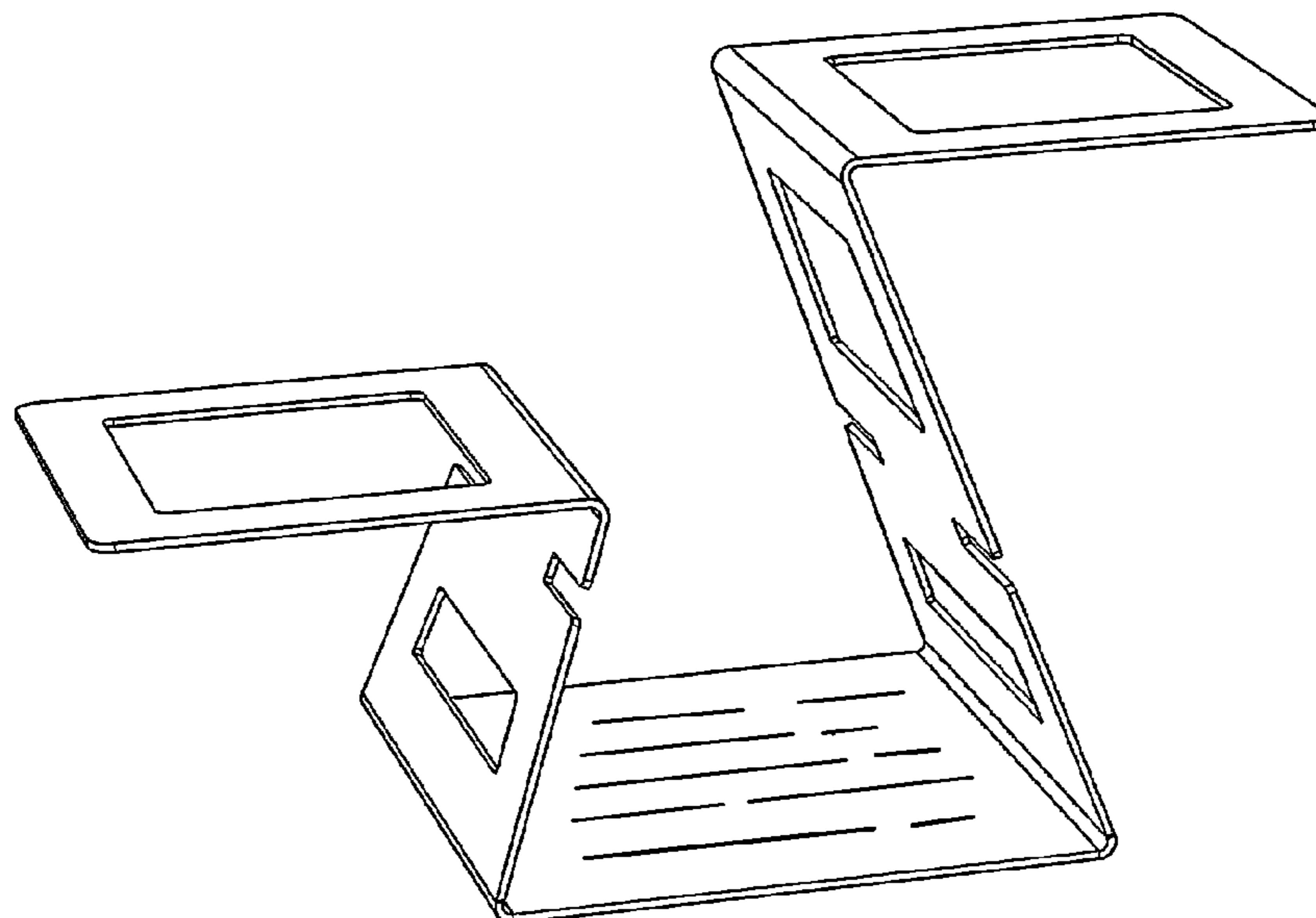
D299,092 S * 12/1988 Leolli D6/677.3
5,785,290 A * 7/1998 Harris A47B 13/16
108/152
D545,591 S * 7/2007 Ng D6/675
D581,701 S * 12/2008 Grubb D6/672
D629,631 S * 12/2010 Britigan D6/405
2001/0052310 A1 * 12/2001 McIntyre A47F 5/04
108/92
2012/0111815 A1 * 5/2012 Berry A47J 47/16
211/74

* cited by examiner
Primary Examiner — Terry Wallace
(74) *Attorney, Agent, or Firm* — Niro, Haller & Niro

(57) **CLAIM**
The ornamental design for a food presentation stand, as
shown and described.

DESCRIPTION
FIG. 1 is a perspective view of the food display stand.
FIG. 2 is a side view thereof; first and second sides are mirror
images.
FIG. 3 is an end view of one end.
FIG. 4 is an end view of the other end.
FIG. 5 is a top view thereof;
FIG. 6 is a bottom view thereof; and,
FIGS. 7-8 are perspective views thereof showing environ-
ment.
Broken lines form no part of the claimed design.

1 Claim, 5 Drawing Sheets



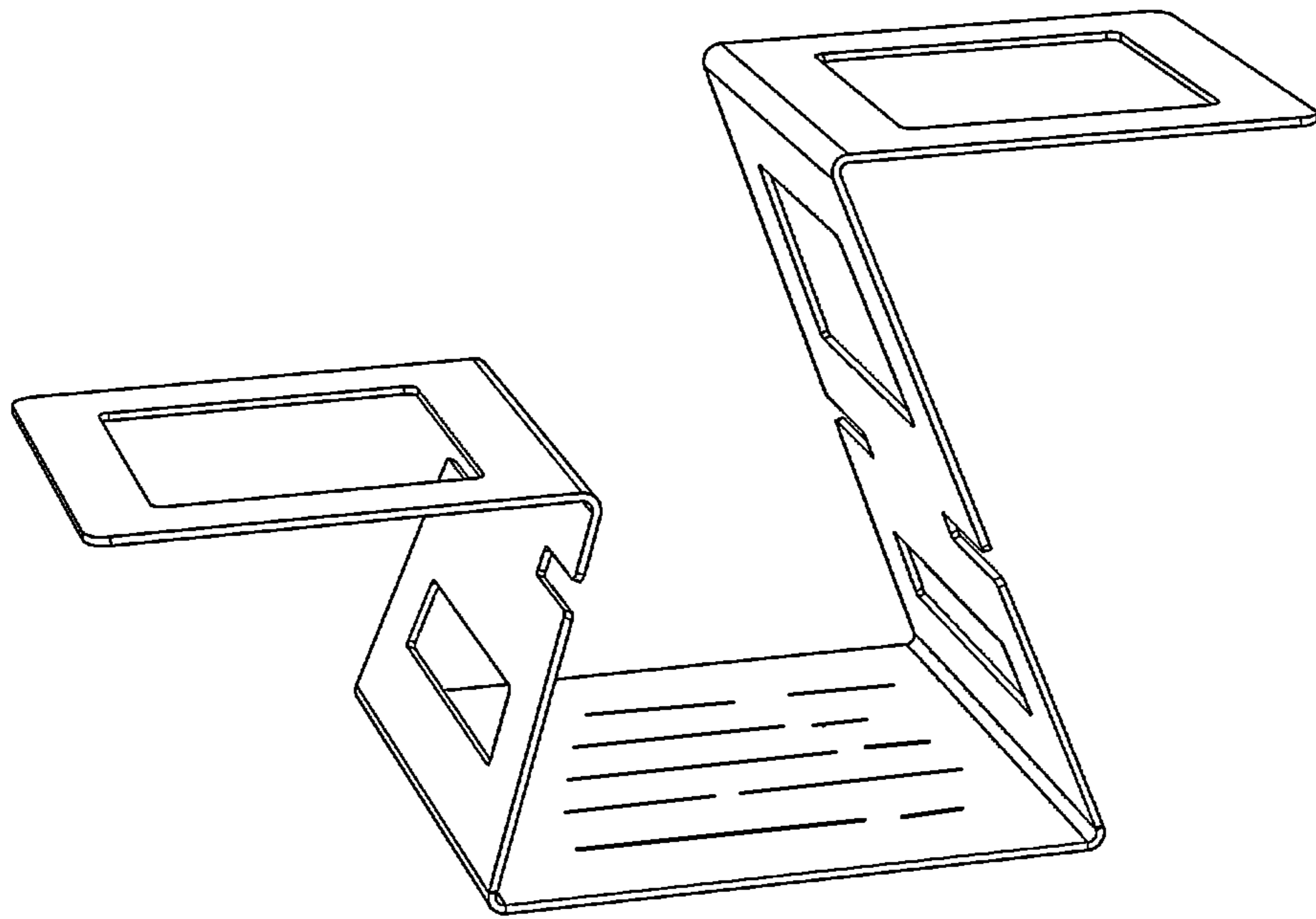


FIG. 1

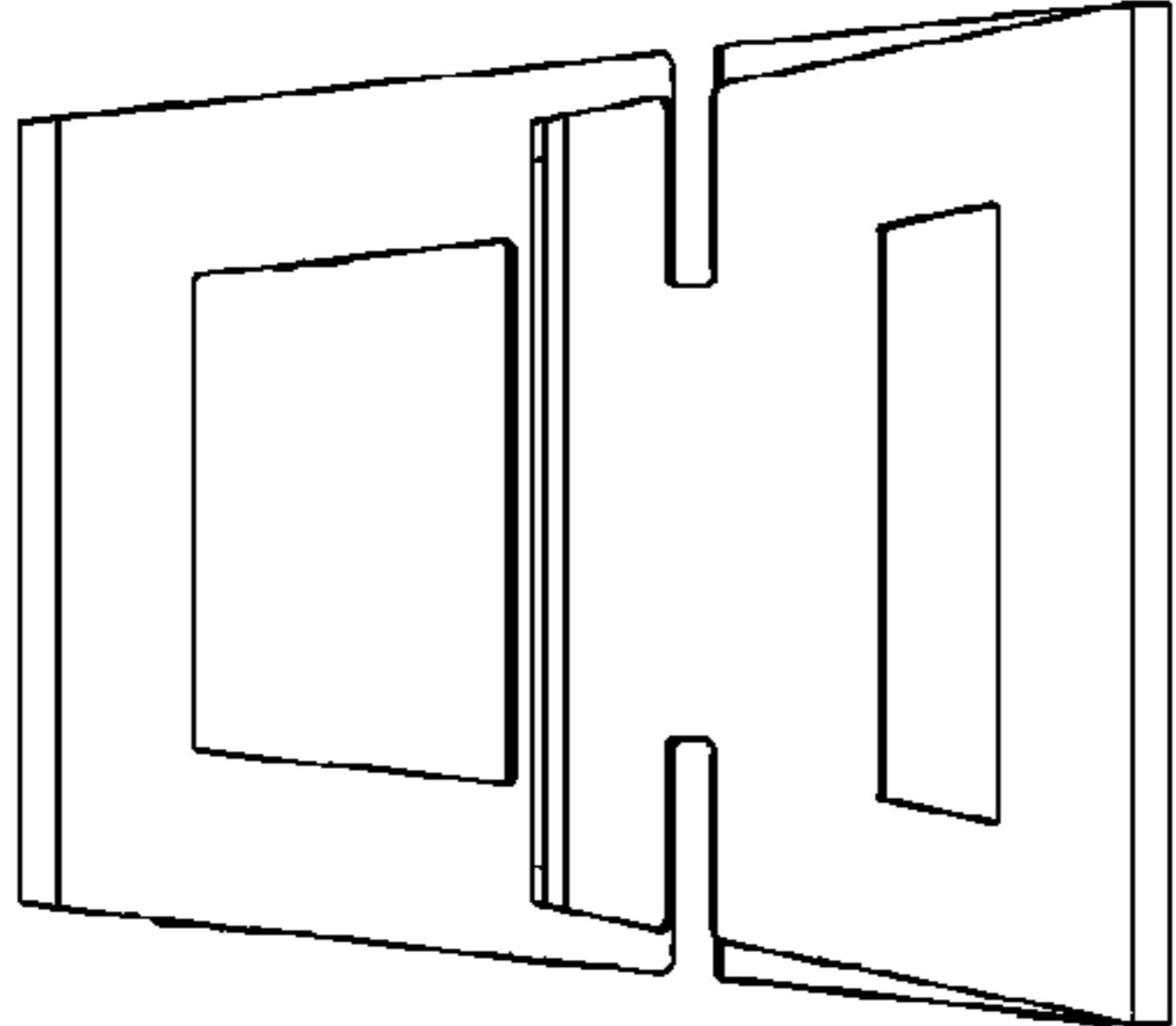


FIG. 4

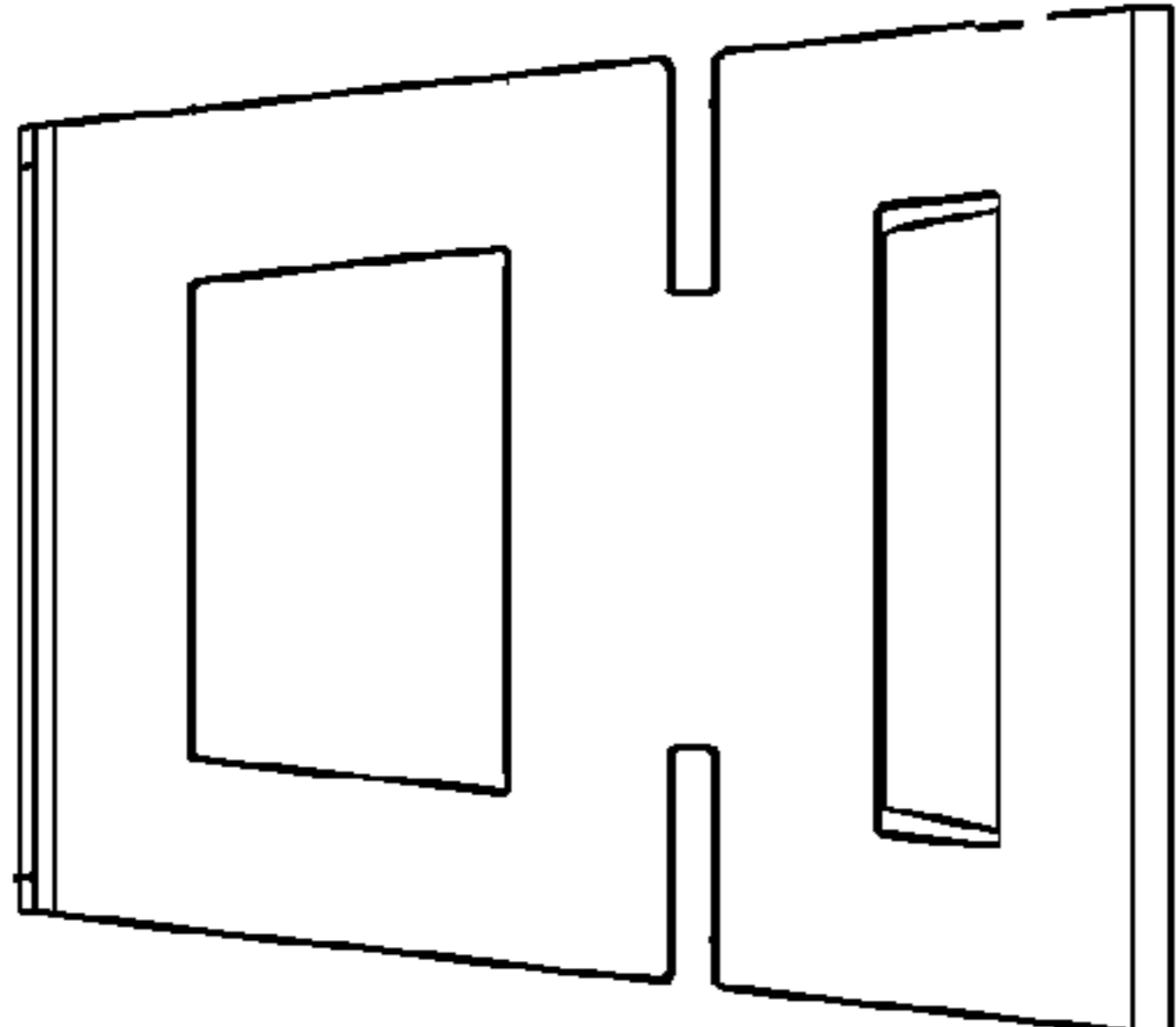


FIG. 3

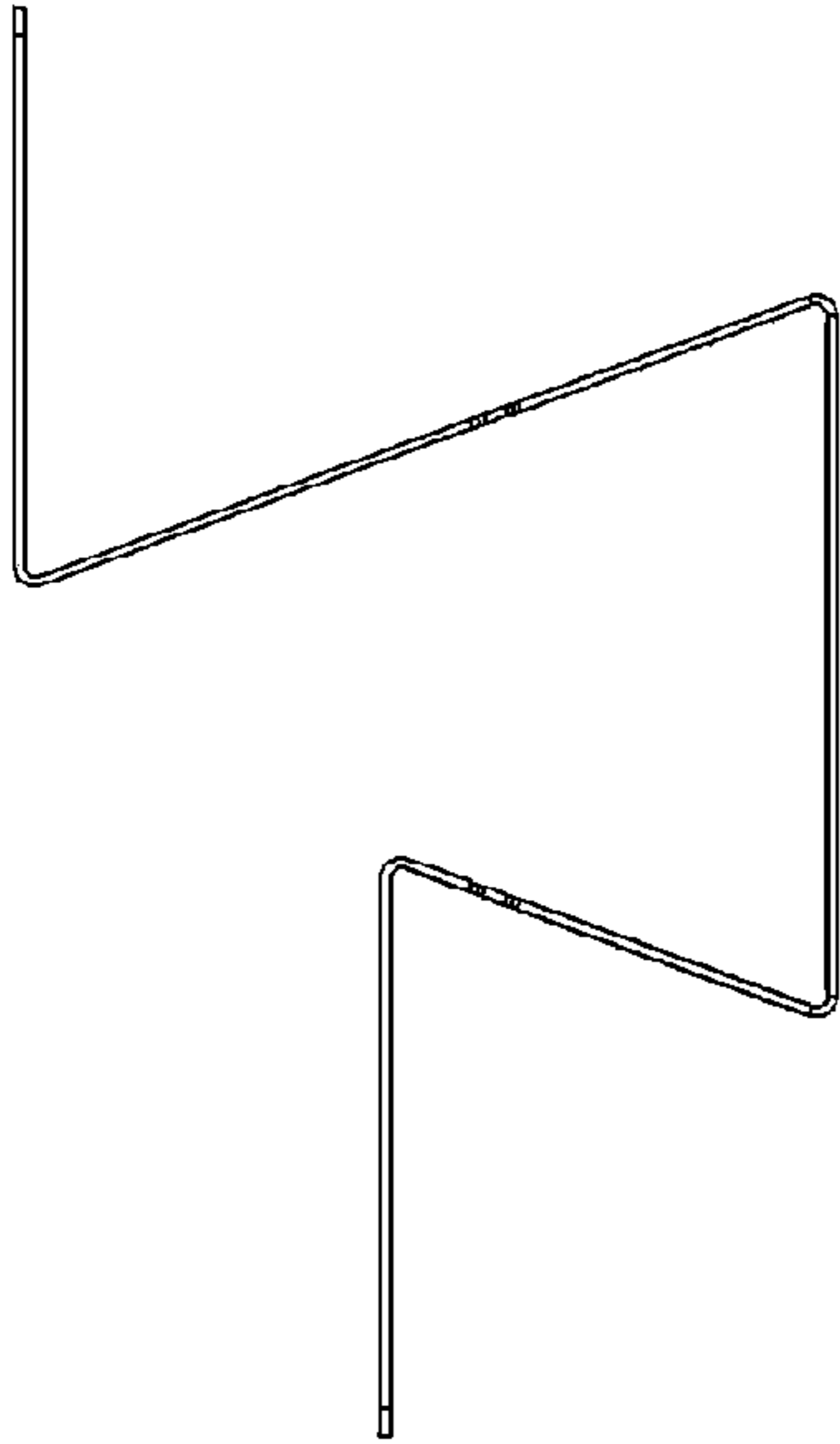


FIG. 2

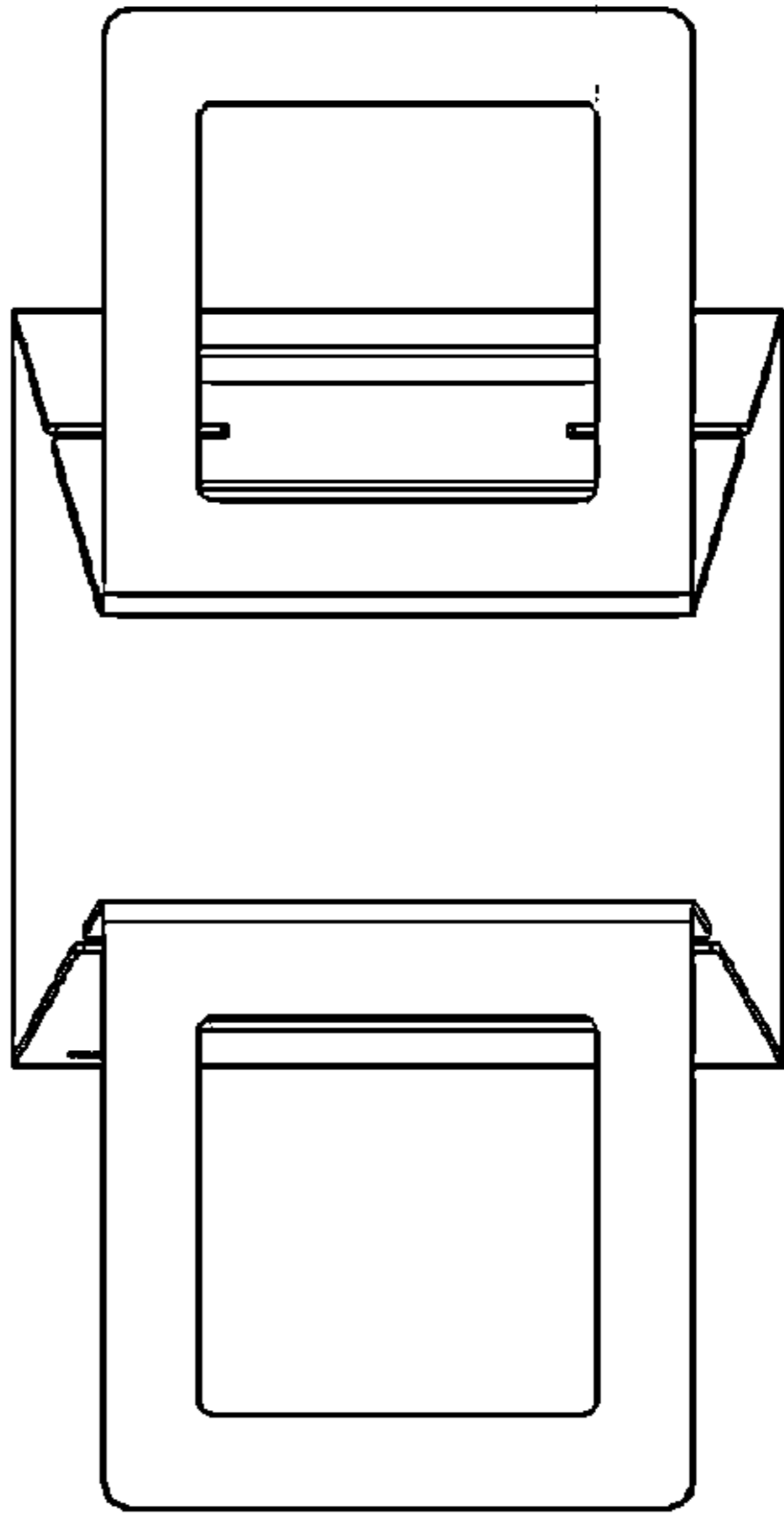
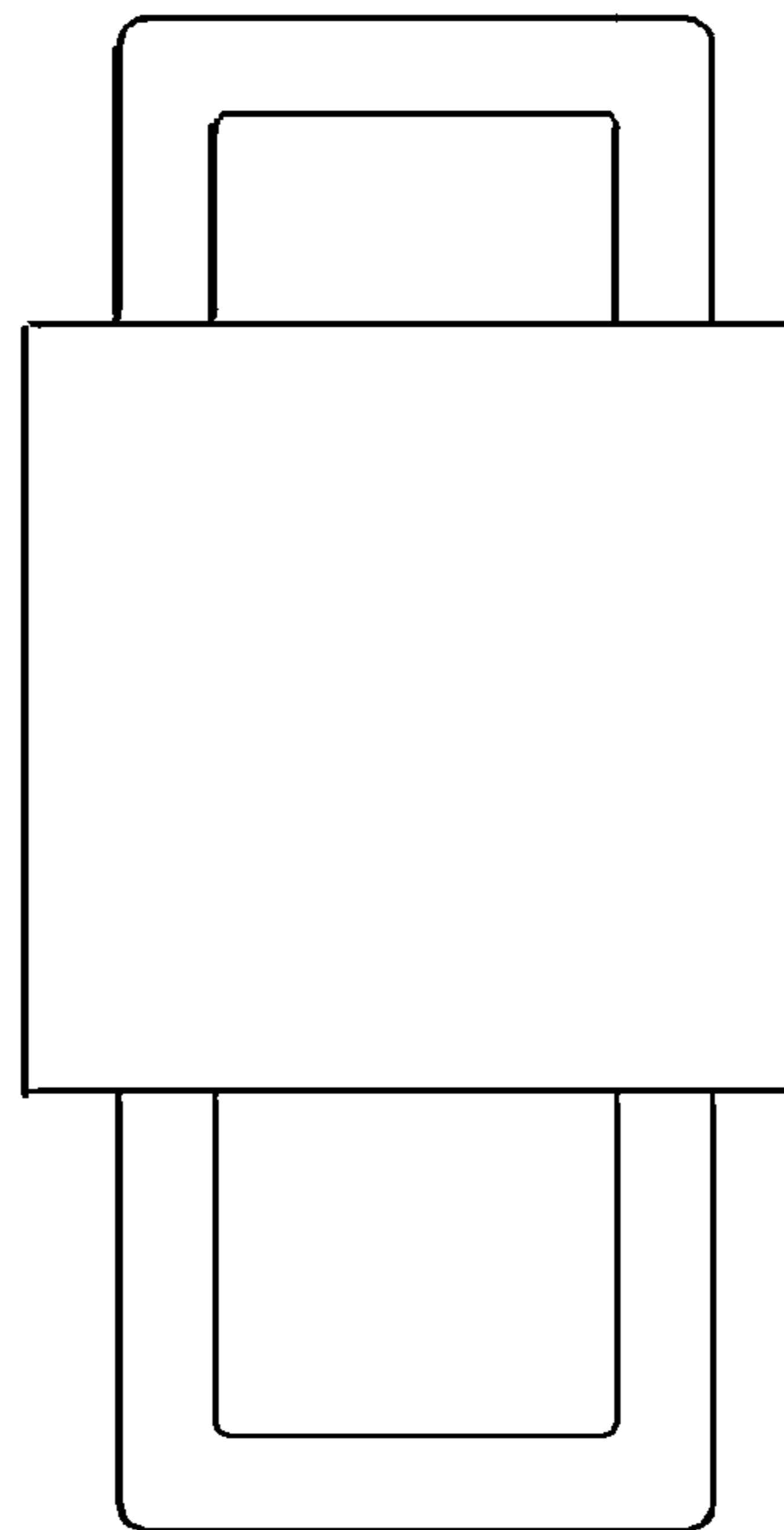


FIG. 5

FIG. 6



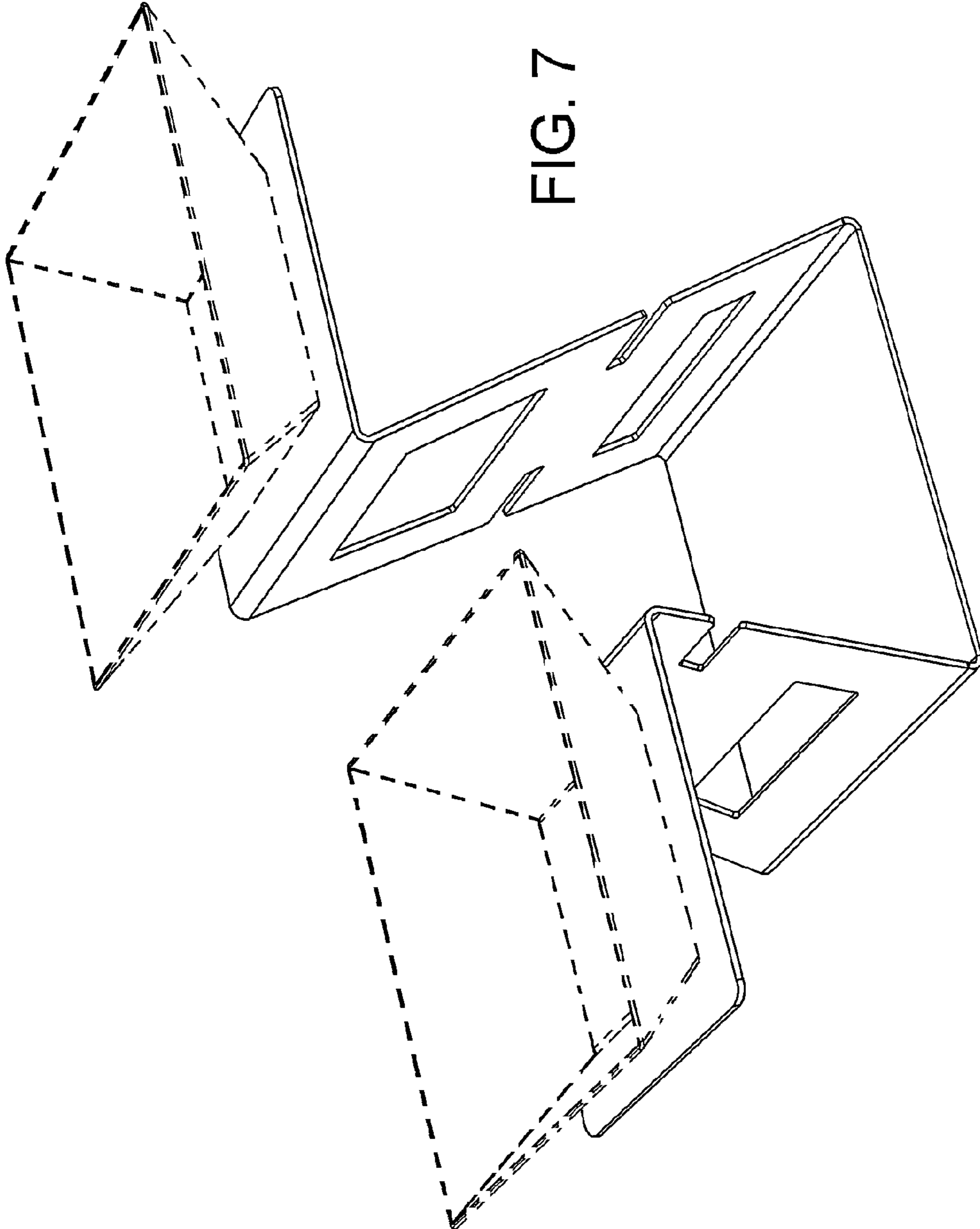


FIG. 7

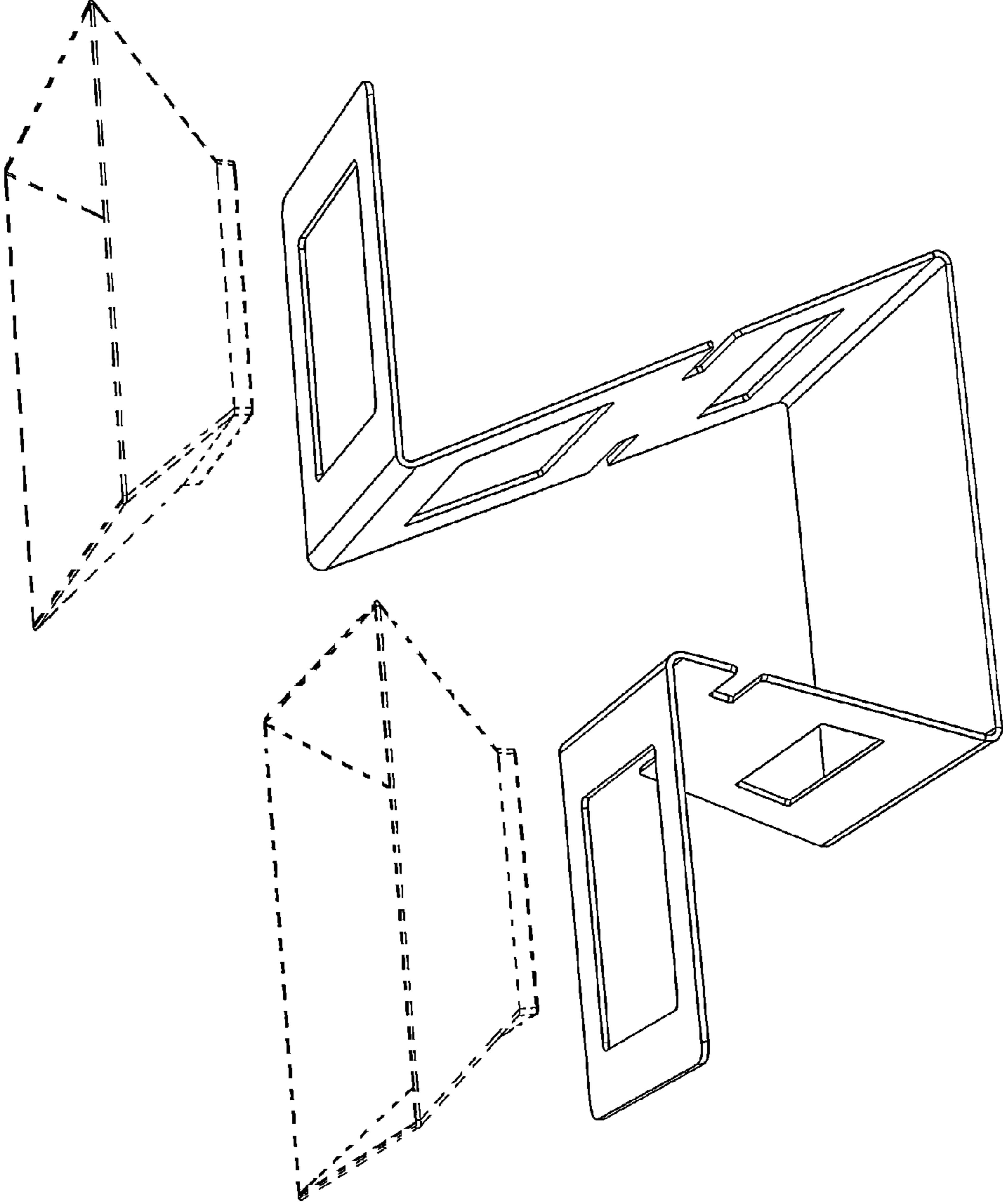


FIG. 8