



US00D747151S

(12) **United States Design Patent**
Liming et al.

(10) **Patent No.:** **US D747,151 S**
(45) **Date of Patent:** **** Jan. 12, 2016**

- (54) **CHIP AND DIP TRAY**
- (71) Applicant: **Huhtamaki, Inc.**, De Soto, KS (US)
- (72) Inventors: **Michael A. Liming**, New Vienna, OH (US); **Donald A. Tomalia**, Midland, MI (US)
- (73) Assignee: **HUHTAMAKI, INC.**, De Soto, KS (US)
- (**) Term: **14 Years**
- (21) Appl. No.: **29/506,058**
- (22) Filed: **Oct. 13, 2014**
- (51) **LOC (10) Cl.** **07-01**
- (52) **U.S. Cl.**
USPC **D7/553.6**
- (58) **Field of Classification Search**
USPC D7/396.4, 501, 505, 571, 538, 540, D7/541-543, 545, 546, 549, 552.1, 553, D7/553.1, 553.2, 553.6, 554.2; D9/424, D9/432, 716, 719, 738-740, 744-745, 756, D9/759-760, 761; D30/130; 219/732
CPC B65D 1/34; B65D 21/00; B65D 21/0204
See application file for complete search history.

D486,991 S *	2/2004	Lee	D7/357
D545,523 S *	6/2007	Goldberg et al.	D34/11
D623,901 S *	9/2010	Clark	D7/549
D623,902 S *	9/2010	Henderson et al.	D7/553.2
D685,613 S *	7/2013	Baez	D7/553.1
D691,857 S *	10/2013	Muspratt-Williams et al.	D7/553.6
D698,665 S *	2/2014	Sifuentes et al.	D9/761
D698,940 S *	2/2014	Pribenszky	D24/224
D723,392 S *	3/2015	Sifuentes et al.	D9/761
D728,383 S *	5/2015	Sifuentes et al.	D9/761
D729,588 S *	5/2015	Breton	D7/553.2
D731,248 S *	6/2015	Breton	D7/553.2
D734,097 S *	7/2015	Vue et al.	D7/553.1

* cited by examiner

Primary Examiner — Kelley Donnelly
(74) *Attorney, Agent, or Firm* — Husch Blackwell LLP

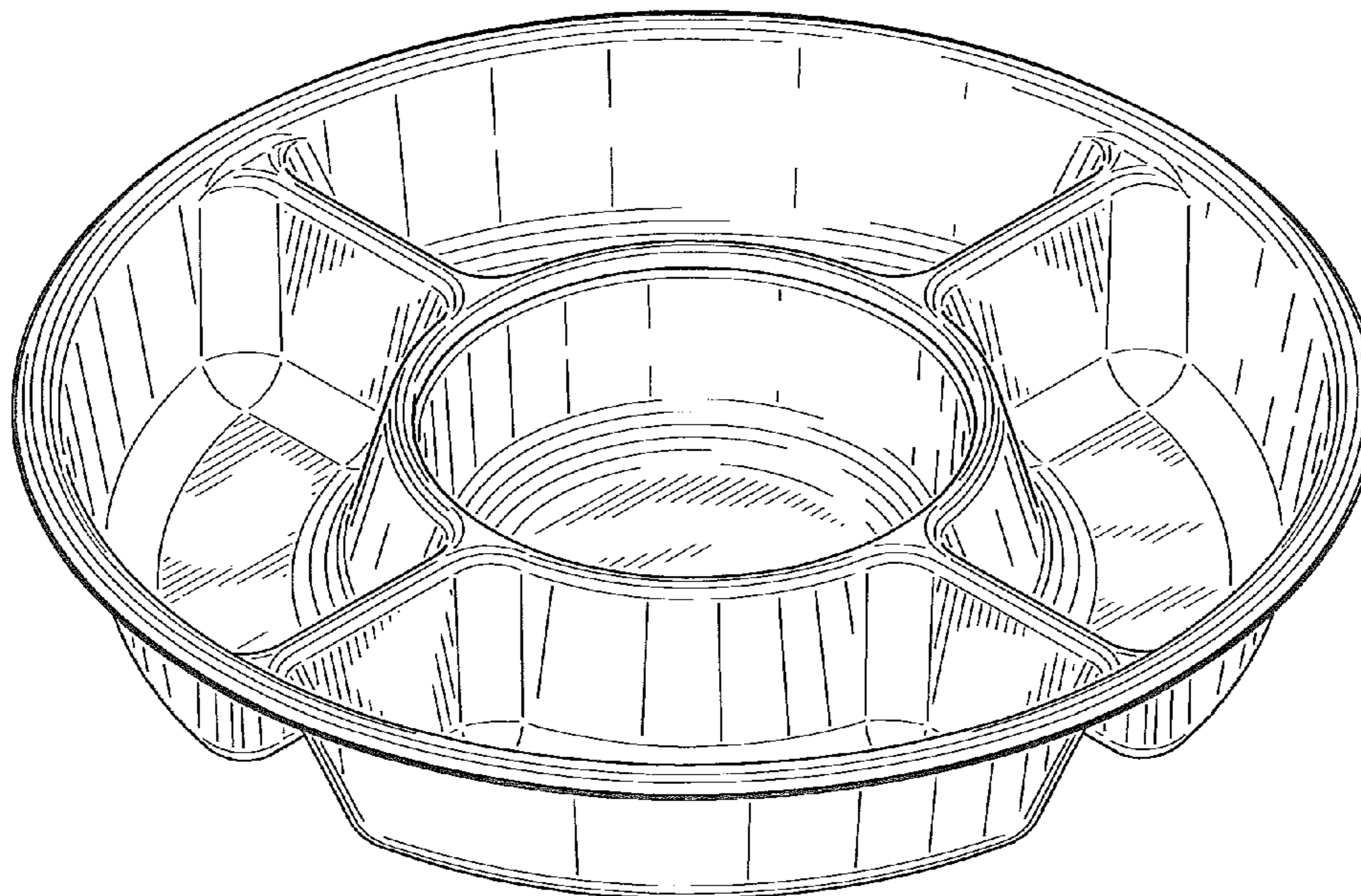
(57) **CLAIM**
The ornamental design for a chip and dip tray, as shown and described.

DESCRIPTION

FIG. 1 is a top perspective view of the design of a chip and dip tray;
FIG. 2 is a top plan view of the chip and dip tray shown in FIG. 1;
FIG. 3 is a bottom side view of the chip and dip tray shown in FIG. 1;
FIG. 4 is a front side view of the chip and dip tray shown in FIG. 1; and,
FIG. 5 is a right side view of the chip and dip tray shown in FIG. 1.

1 Claim, 4 Drawing Sheets

- (56) **References Cited**
U.S. PATENT DOCUMENTS
D304,658 S * 11/1989 Mattei D7/505
D312,026 S * 11/1990 Antoni et al. D7/553.6
D368,409 S * 4/1996 Schwartz D7/553.6
D484,000 S * 12/2003 Levien D7/553.6



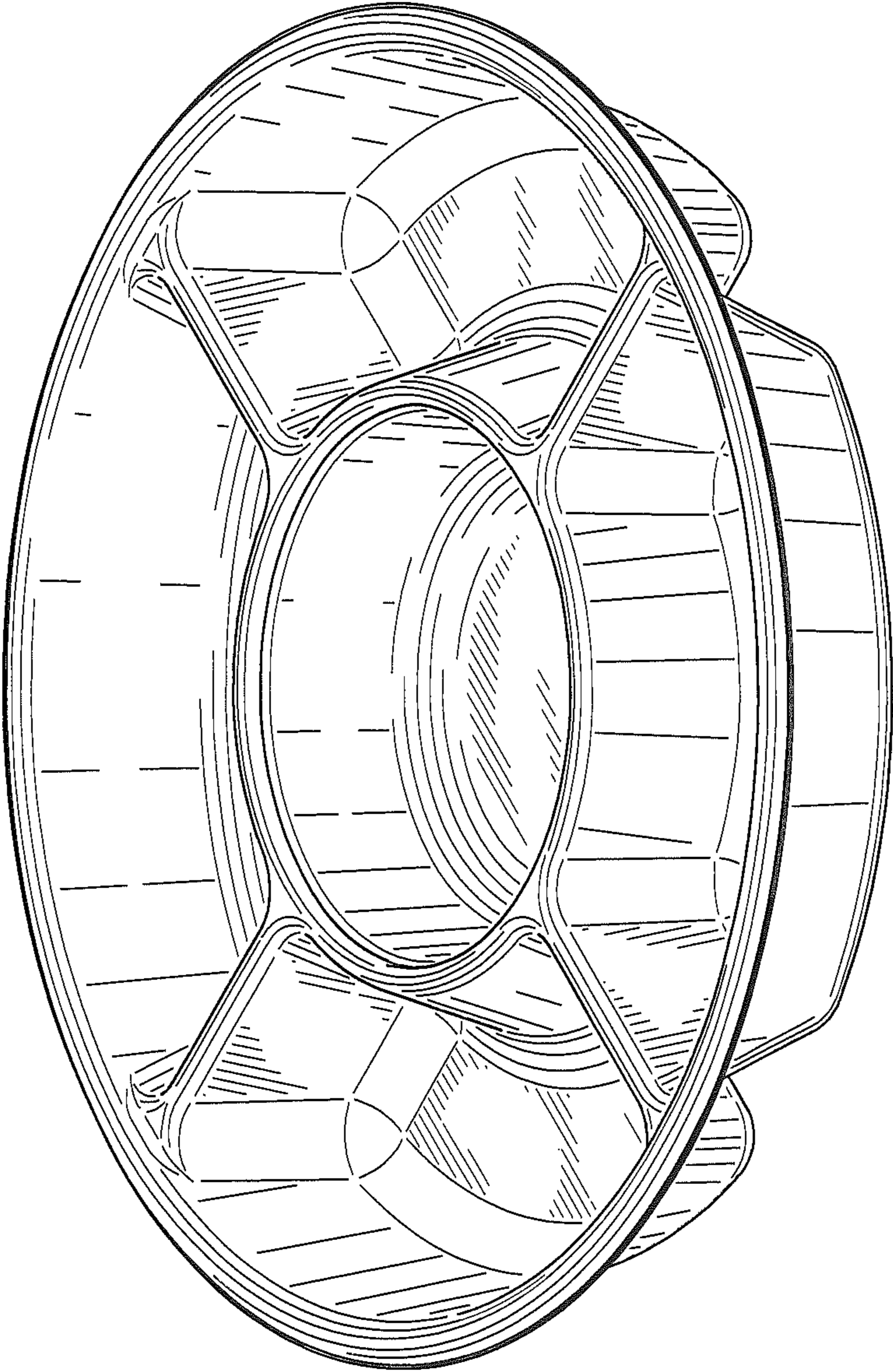


FIG. 1

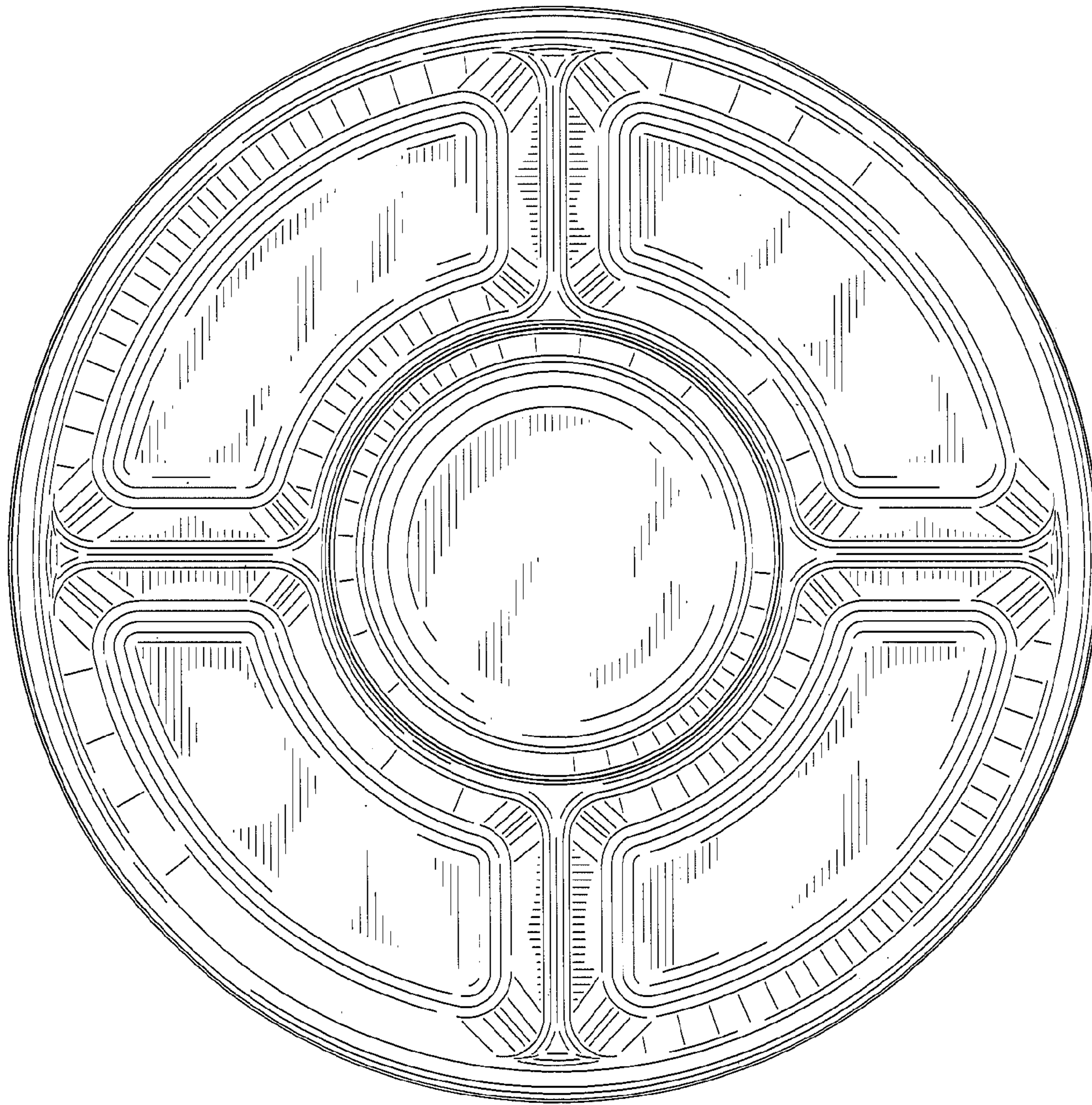


FIG. 2

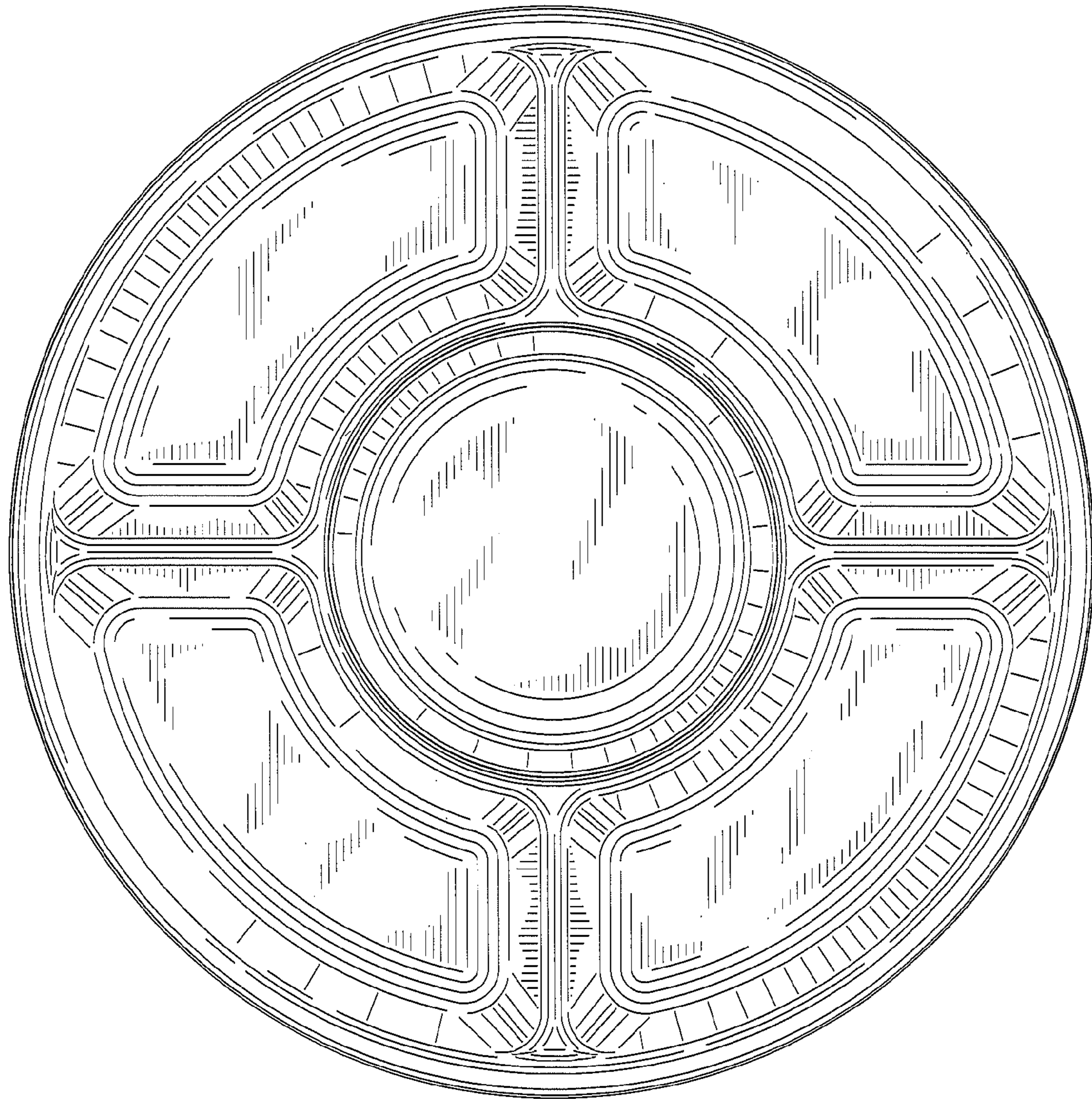


FIG. 3

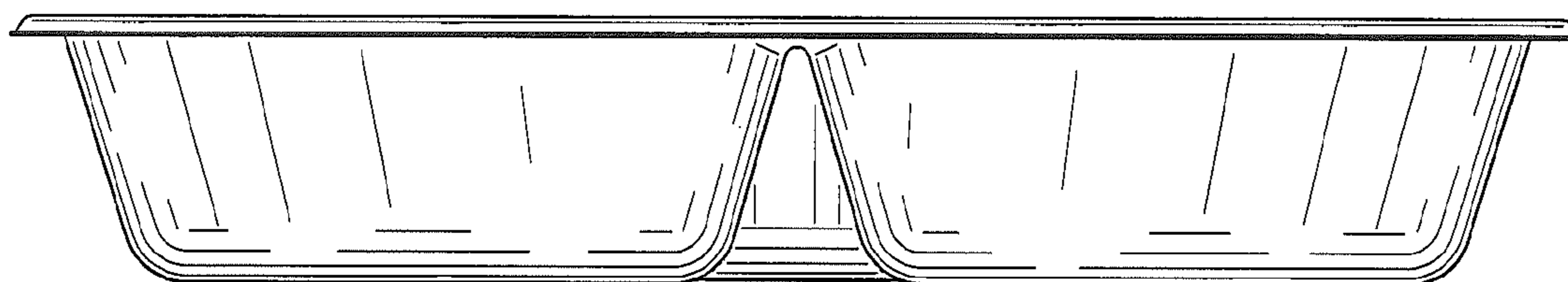


FIG. 4

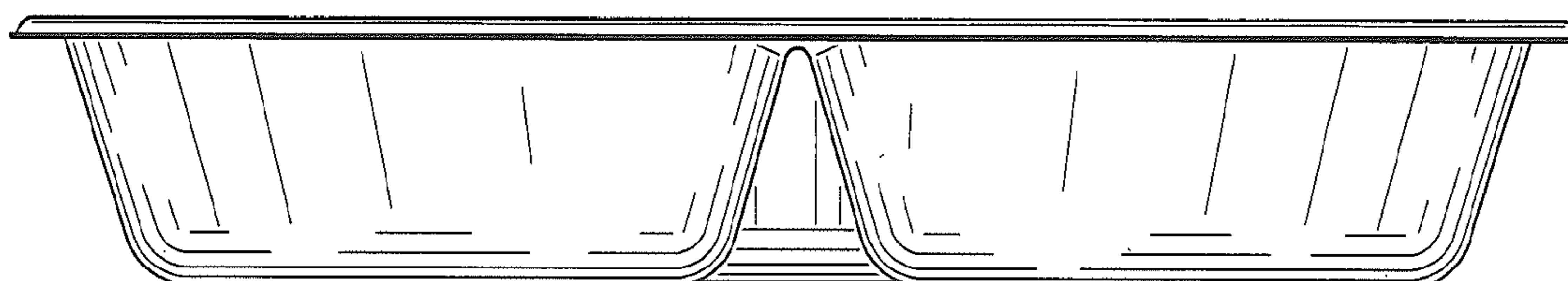


FIG. 5