



US00D747144S

(12) **United States Design Patent**
Sun

(10) **Patent No.:** **US D747,144 S**
(45) **Date of Patent:** **** Jan. 12, 2016**

- (54) **COFFEE MACHINE**
- (71) Applicant: **Electrolux Appliances Aktiebolaget**,
Stockholm (SE)
- (72) Inventor: **Brian Sun**, Charlotte, NC (US)
- (73) Assignee: **Electrolux Appliances Aktiebolag**,
Stockholm (SE)
- (**) Term: **14 Years**
- (21) Appl. No.: **29/485,637**
- (22) Filed: **Mar. 20, 2014**
- (30) **Foreign Application Priority Data**
Sep. 20, 2013 (EM) 002313288
- (51) **LOC (10) Cl.** **07-01**
- (52) **U.S. Cl.**
USPC **D7/510; D7/509; D7/511**
- (58) **Field of Classification Search**
USPC D7/306-311, 305, 300, 313; 99/279,
99/284, 290, 280, 299, 307, 323.1;
222/23, 129.1; 62/395; D20/1
CPC A47J 31/44; B67D 1/0041; B67D 3/00
See application file for complete search history.

- (56) **References Cited**
U.S. PATENT DOCUMENTS
- D481,902 S * 11/2003 O'Connor et al. D7/309
- 7,146,904 B2 * 12/2006 Scribner 99/300
- D546,112 S * 7/2007 Rorke et al. D7/309
- D550,499 S * 9/2007 Argabrite et al. D7/309
- D558,506 S * 1/2008 Garman D7/309
- D564,280 S * 3/2008 Ting et al. D7/309
- D571,598 S * 6/2008 Moore D7/306
- D586,171 S * 2/2009 Picozza et al. D7/309

- D618,950 S * 7/2010 Jaffe et al. D7/306
- D620,301 S * 7/2010 Picozza et al. D7/309
- D620,302 S * 7/2010 Picozza et al. D7/309
- D627,186 S * 11/2010 Romandy D7/306
- D627,188 S * 11/2010 Picozza et al. D7/309
- D628,007 S * 11/2010 Di Bitonto et al. D7/310
- D673,804 S * 1/2013 De' Longhi D7/309
- D677,510 S * 3/2013 Tetreault D7/309
- D719,776 S * 12/2014 Kunz D7/309
- D721,531 S * 1/2015 Krasne D7/309
- 2010/0233338 A1 * 9/2010 Garcia et al. 426/431
- 2013/0004629 A1 * 1/2013 Clark et al. 426/231

* cited by examiner

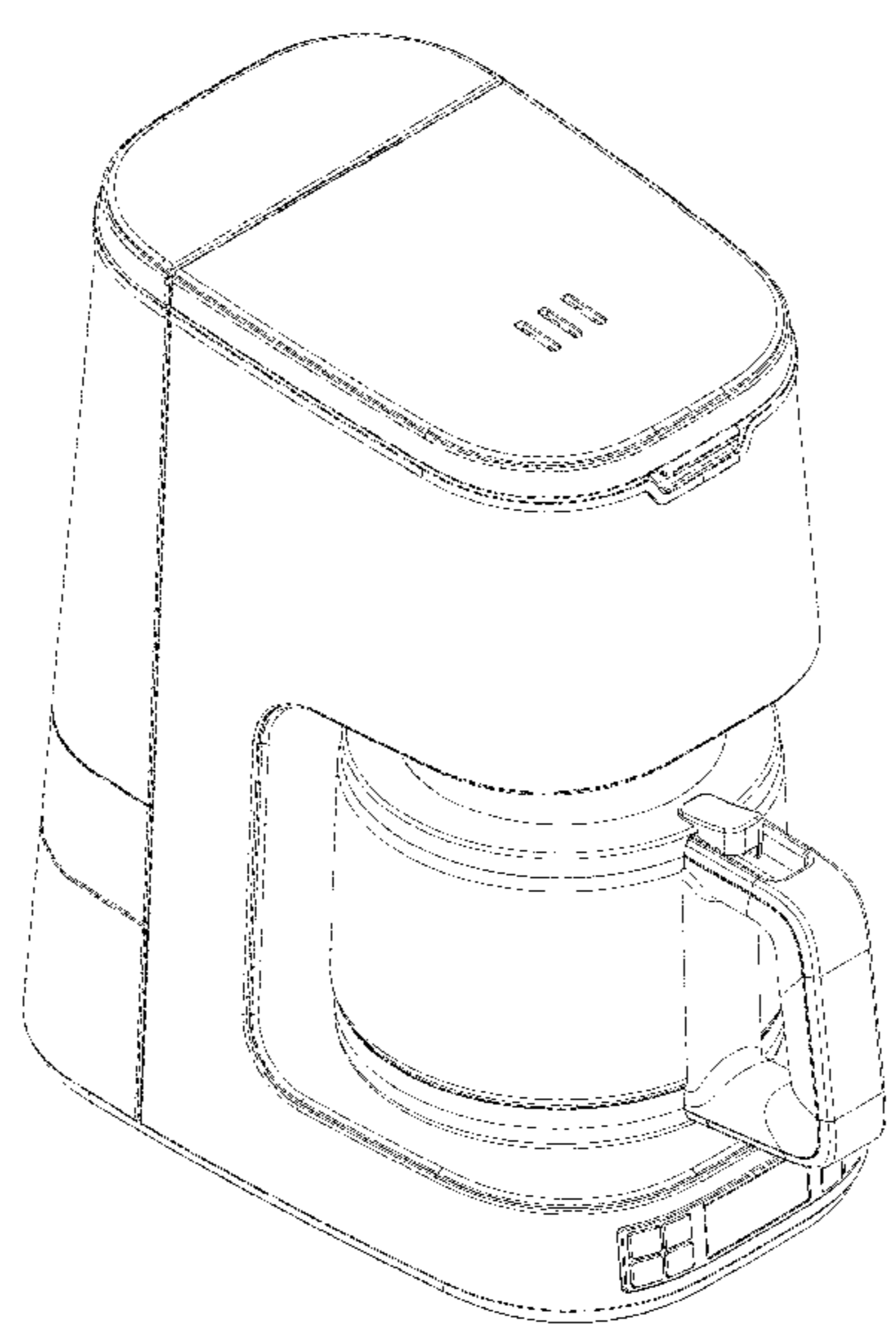
Primary Examiner — Marianne Pandozzi
(74) *Attorney, Agent, or Firm* — Banner & Witcoff, Ltd.

(57) **CLAIM**
The ornamental design for a coffee machine, as shown and described.

DESCRIPTION

FIG. 1 is a front perspective view of a coffee machine showing my new design;
FIG. 2 is a top plan view thereof;
FIG. 3 is a front view thereof;
FIG. 4 is a right side view thereof;
FIG. 5 is a left side view thereof;
FIG. 6 is a rear view thereof;
FIG. 7 is a bottom view thereof;
FIG. 8 is a front perspective view of a coffee machine showing a second embodiment of my new design;
FIG. 9 is a top plan view thereof;
FIG. 10 is a front view thereof;
FIG. 11 is a right side view thereof;
FIG. 12 is a left side view thereof;
FIG. 13 is a rear view thereof; and,
FIG. 14 is a bottom view thereof.

1 Claim, 14 Drawing Sheets



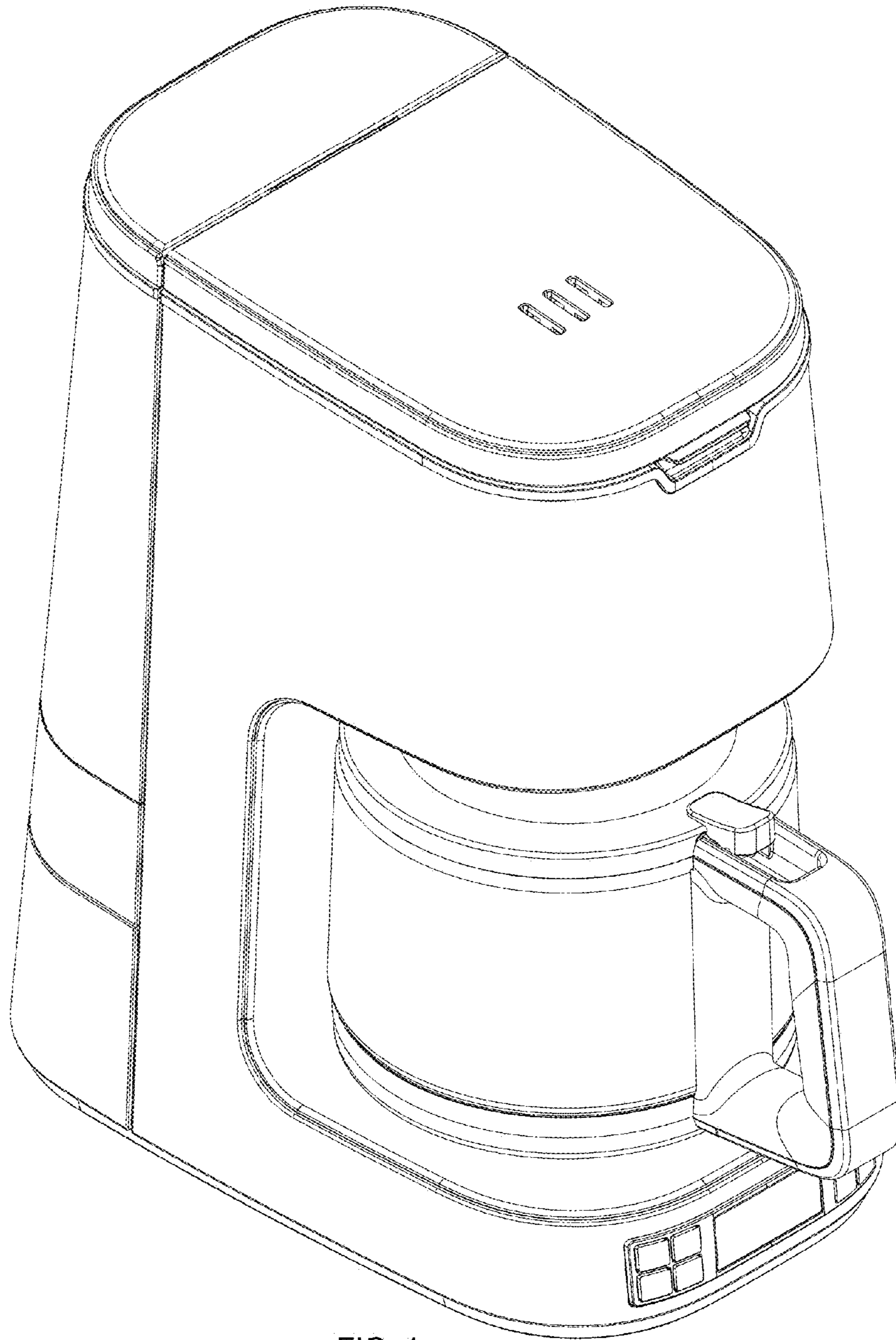


FIG. 1

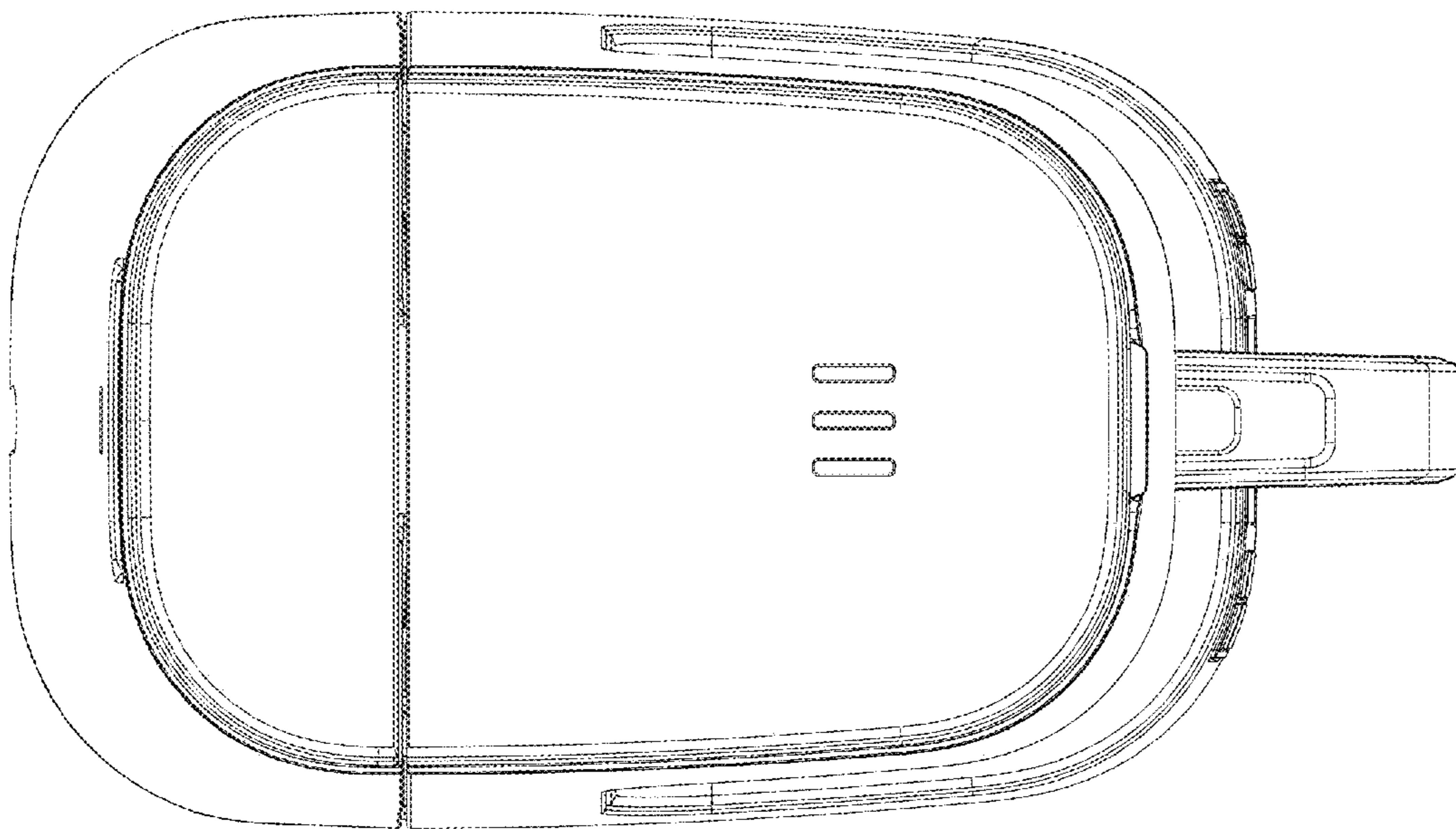


FIG. 2

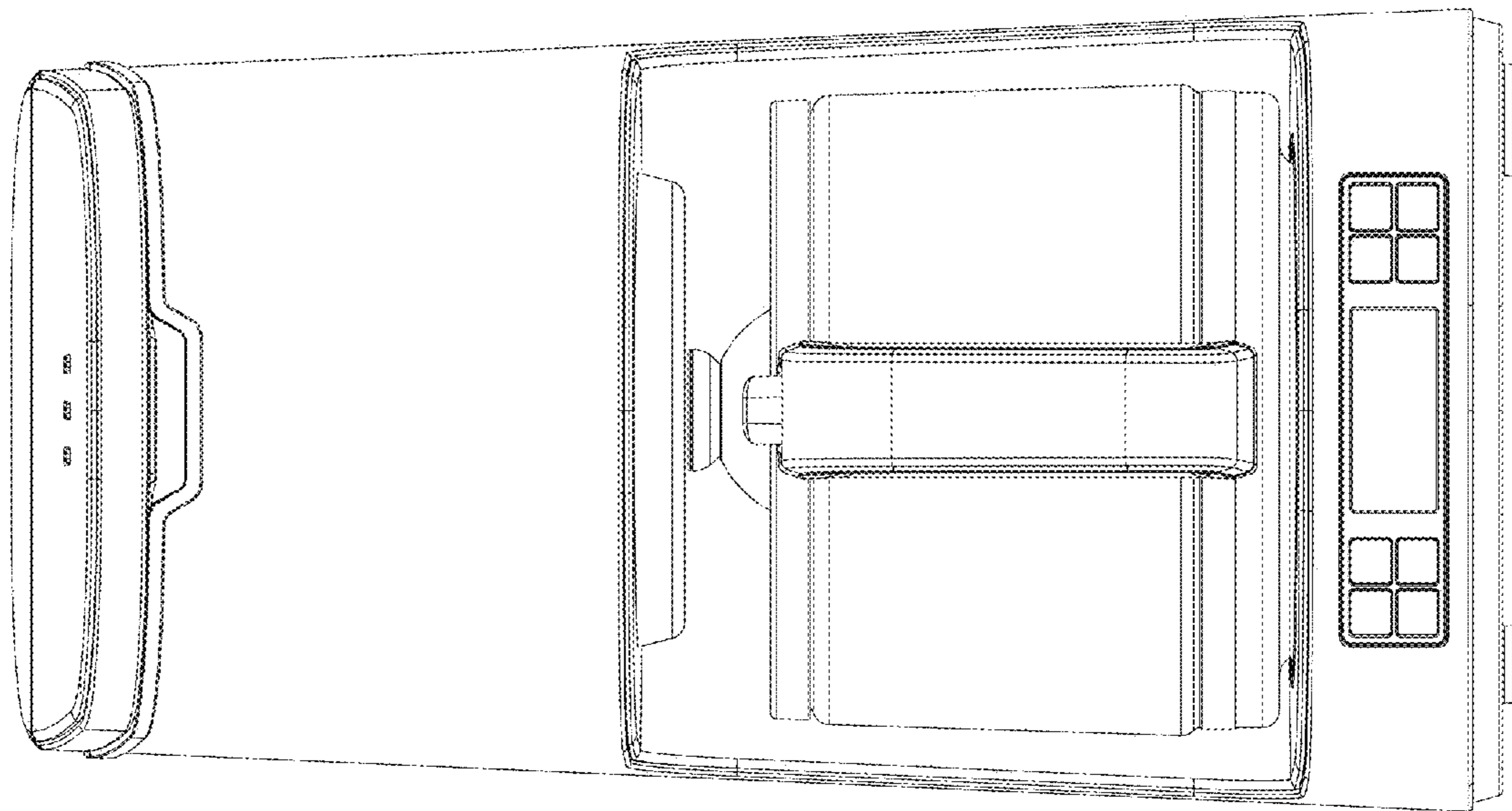


FIG. 3

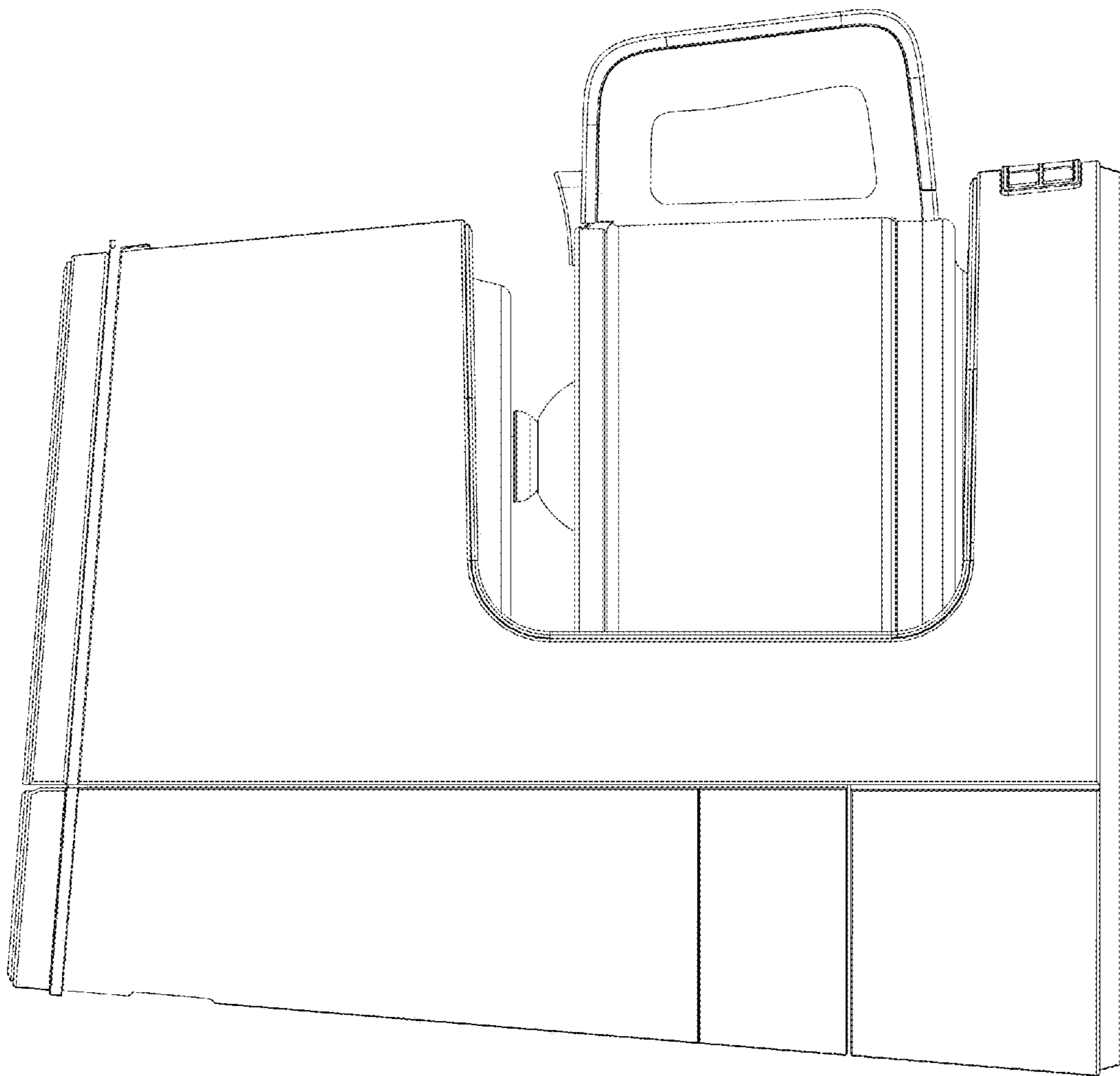


FIG. 4

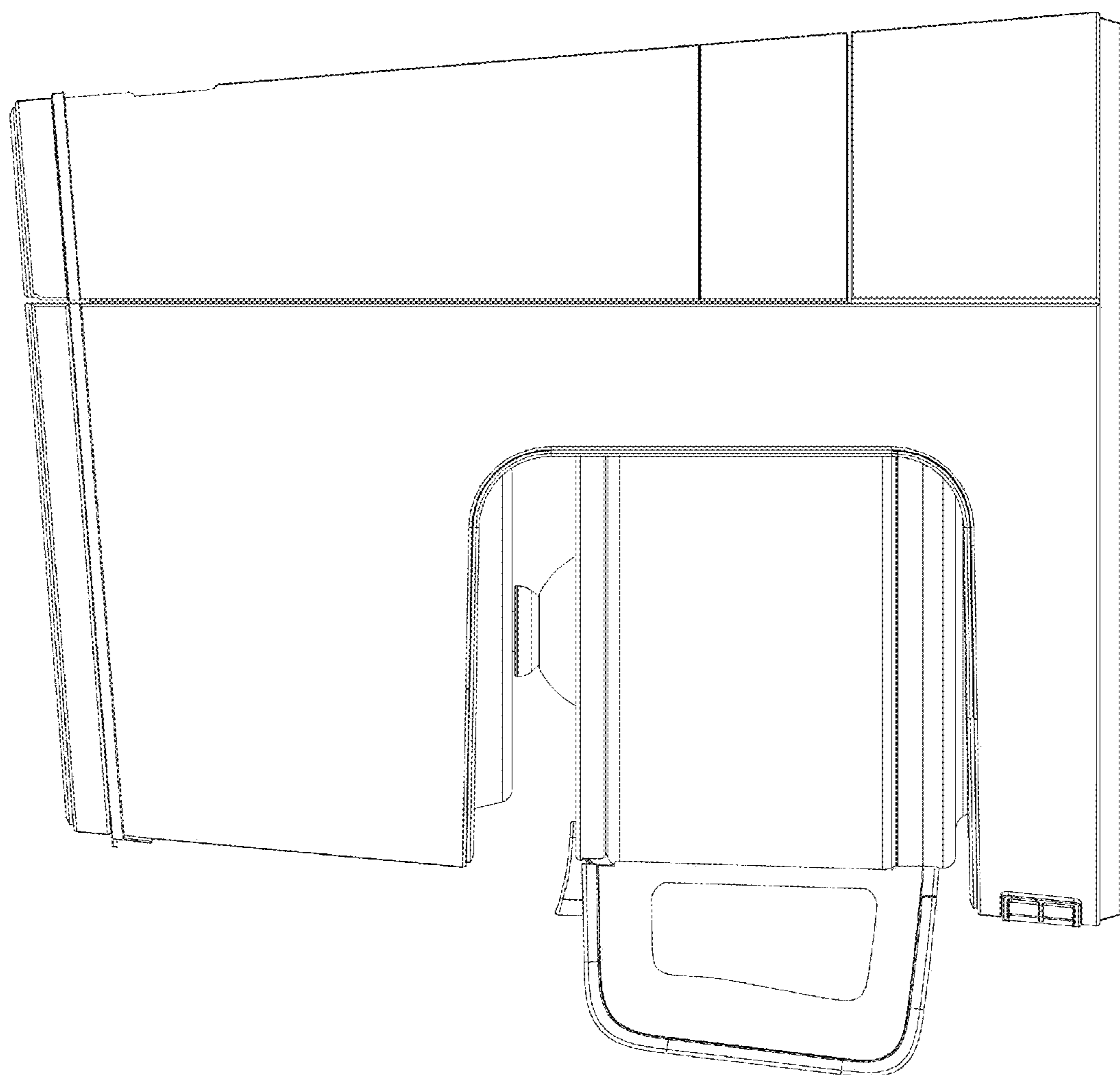


FIG. 5

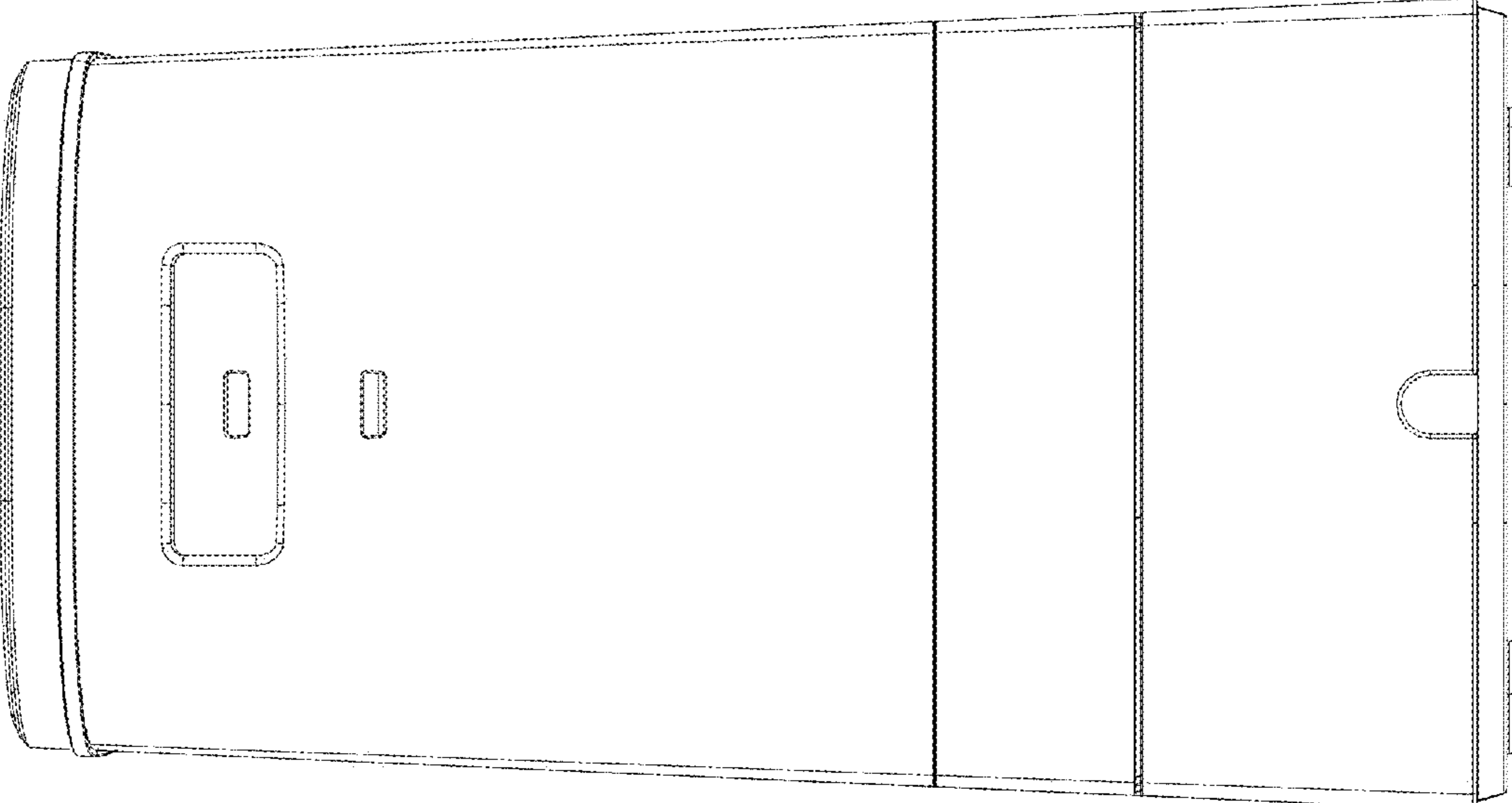


FIG. 6

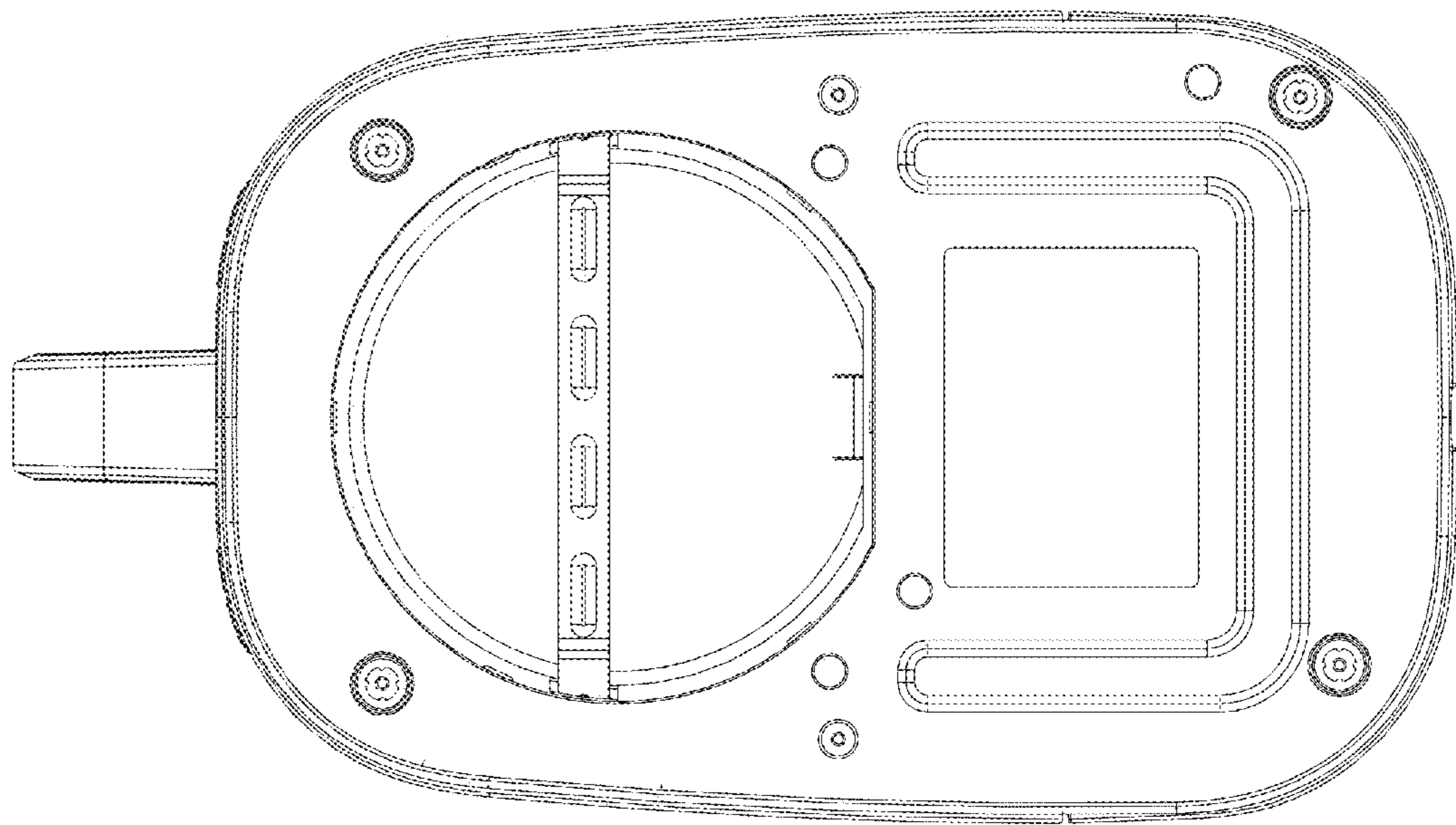


FIG. 7

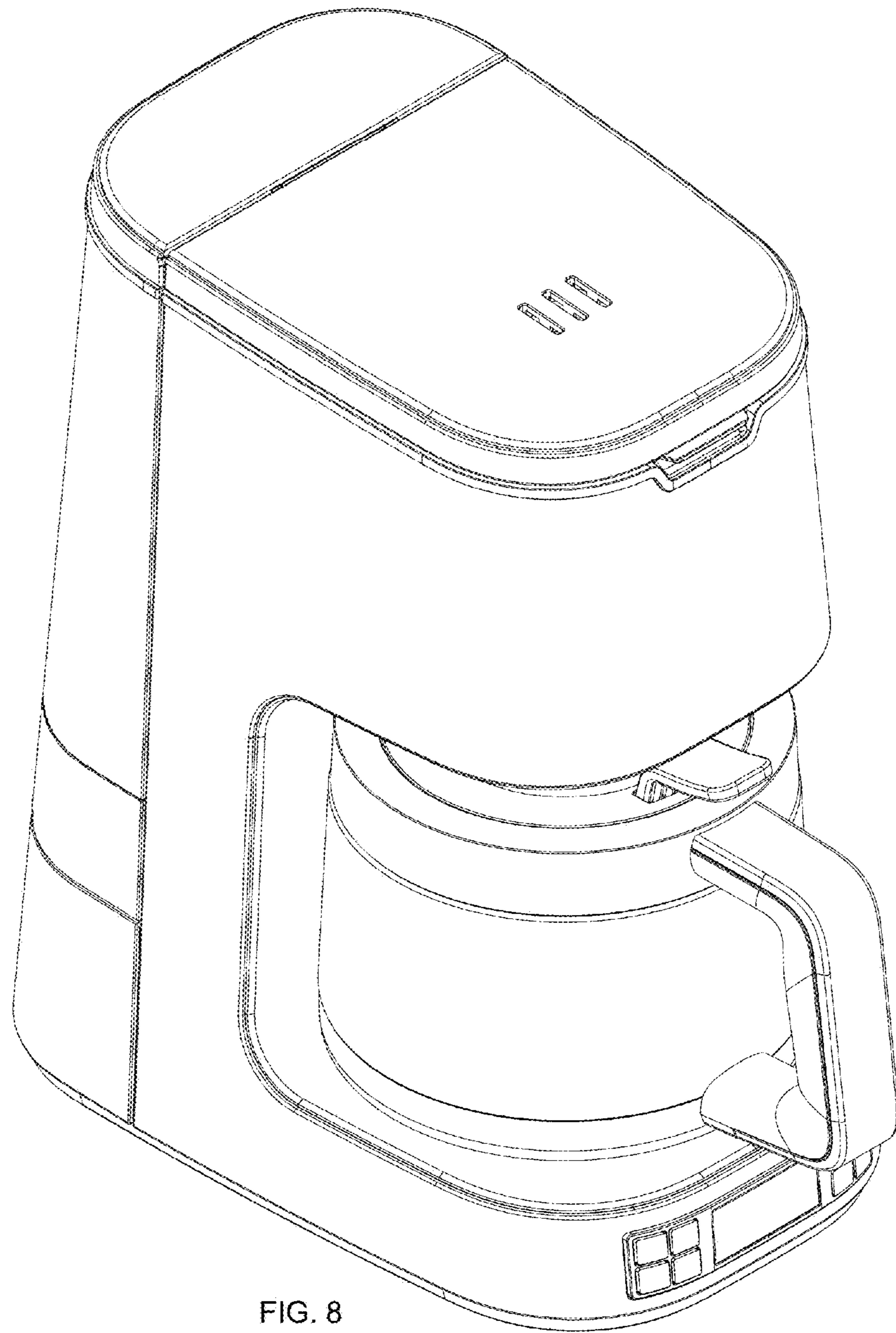


FIG. 8

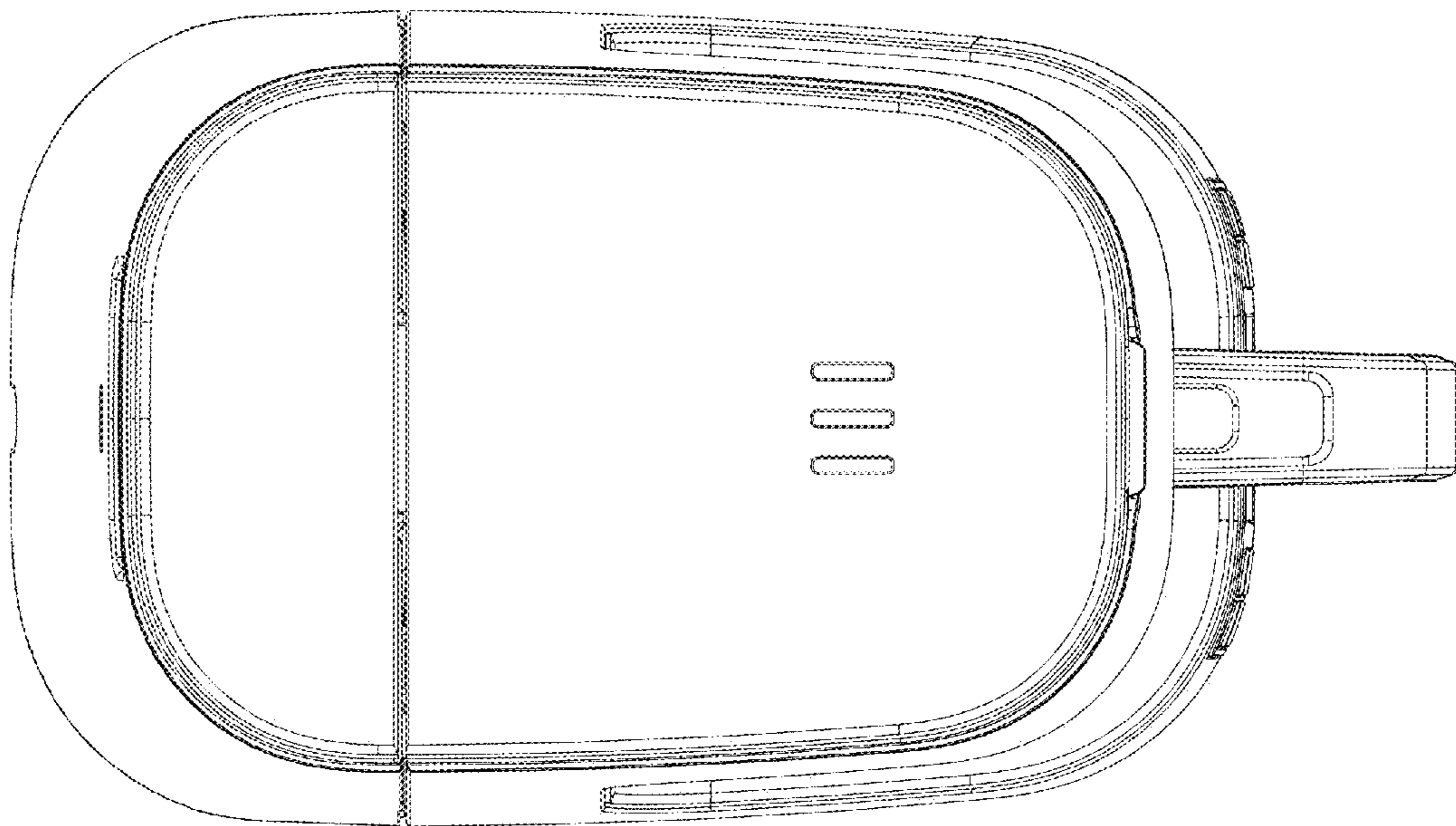


FIG. 9

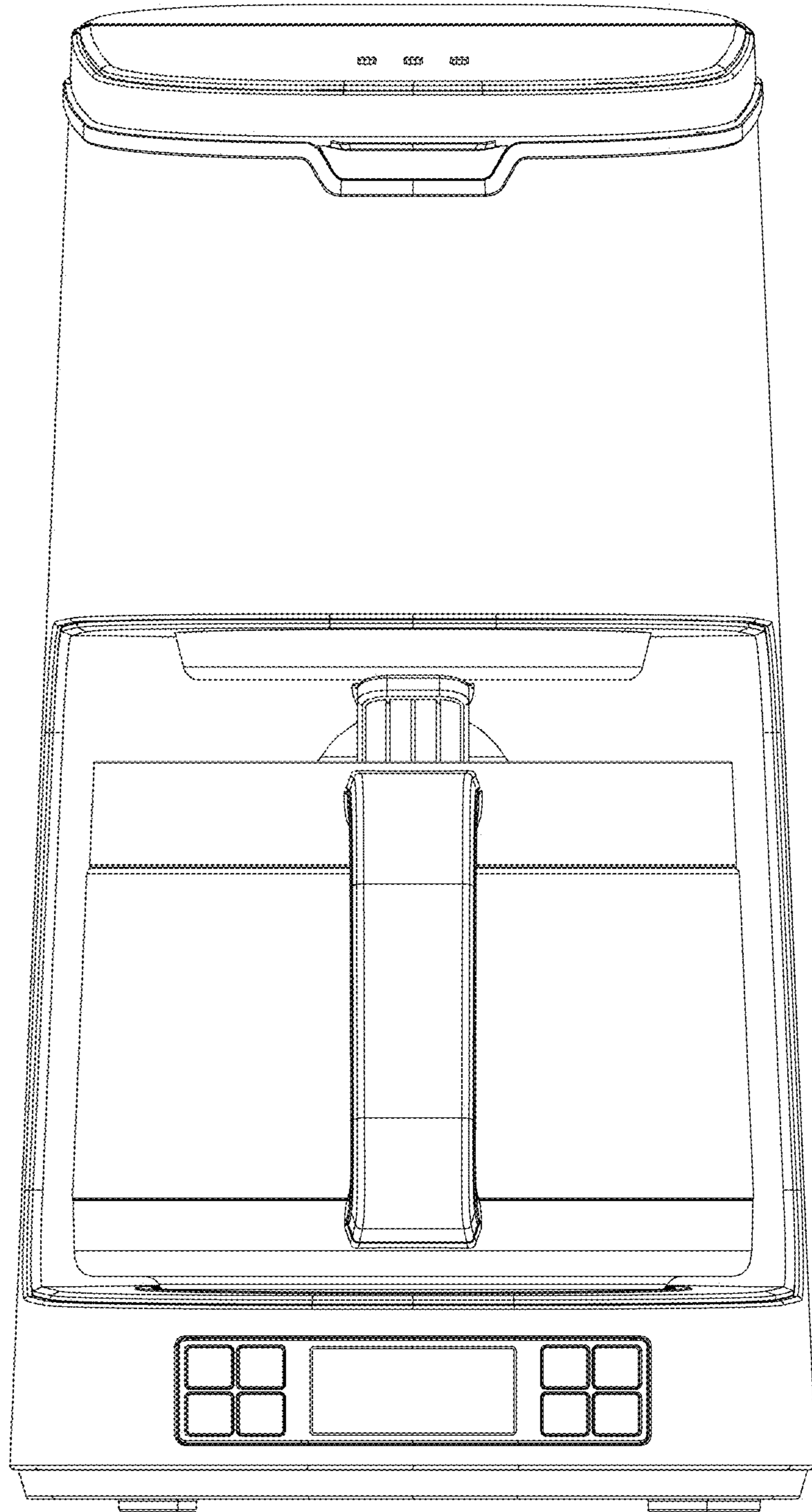


FIG. 10

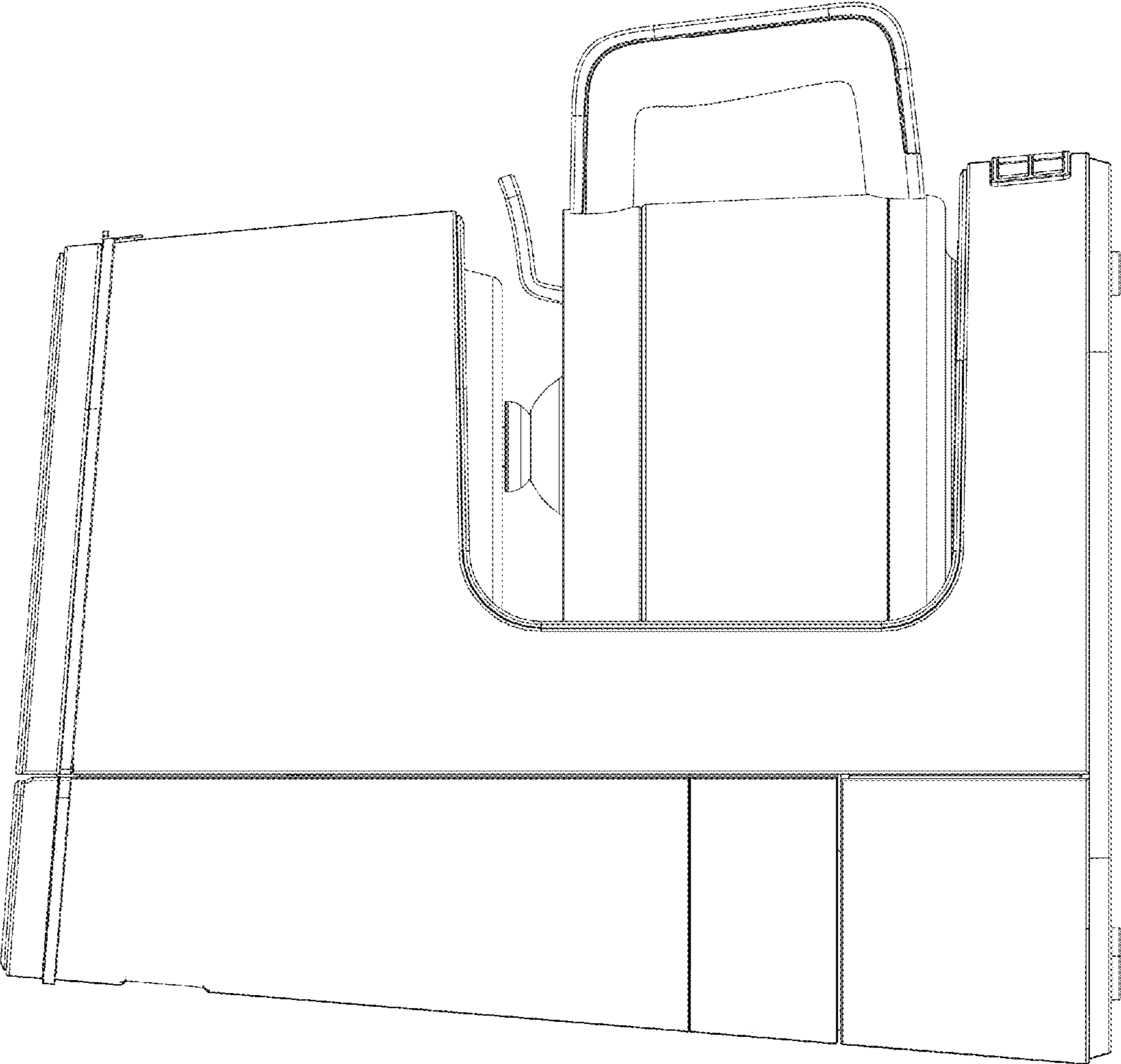


FIG. 11

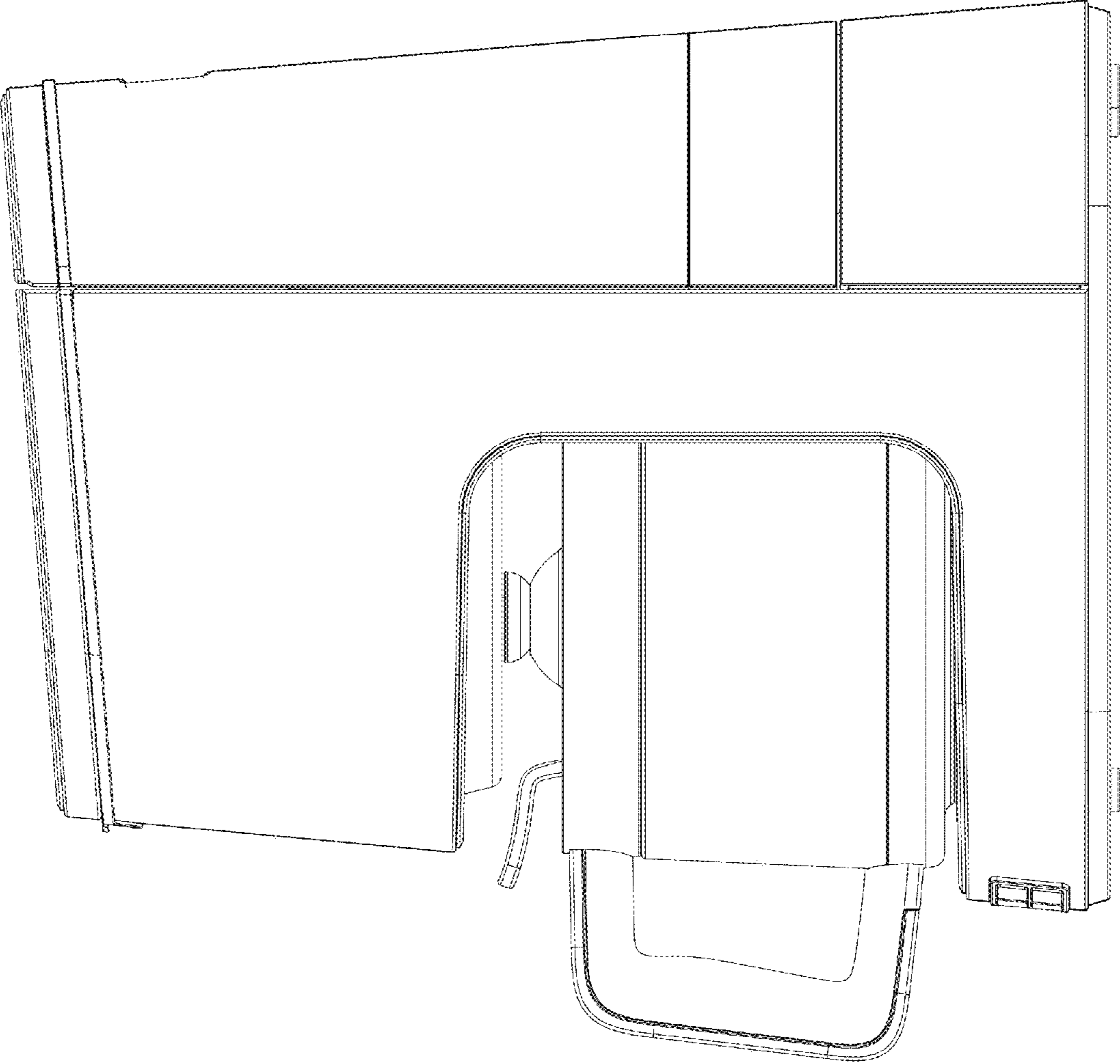


FIG. 12

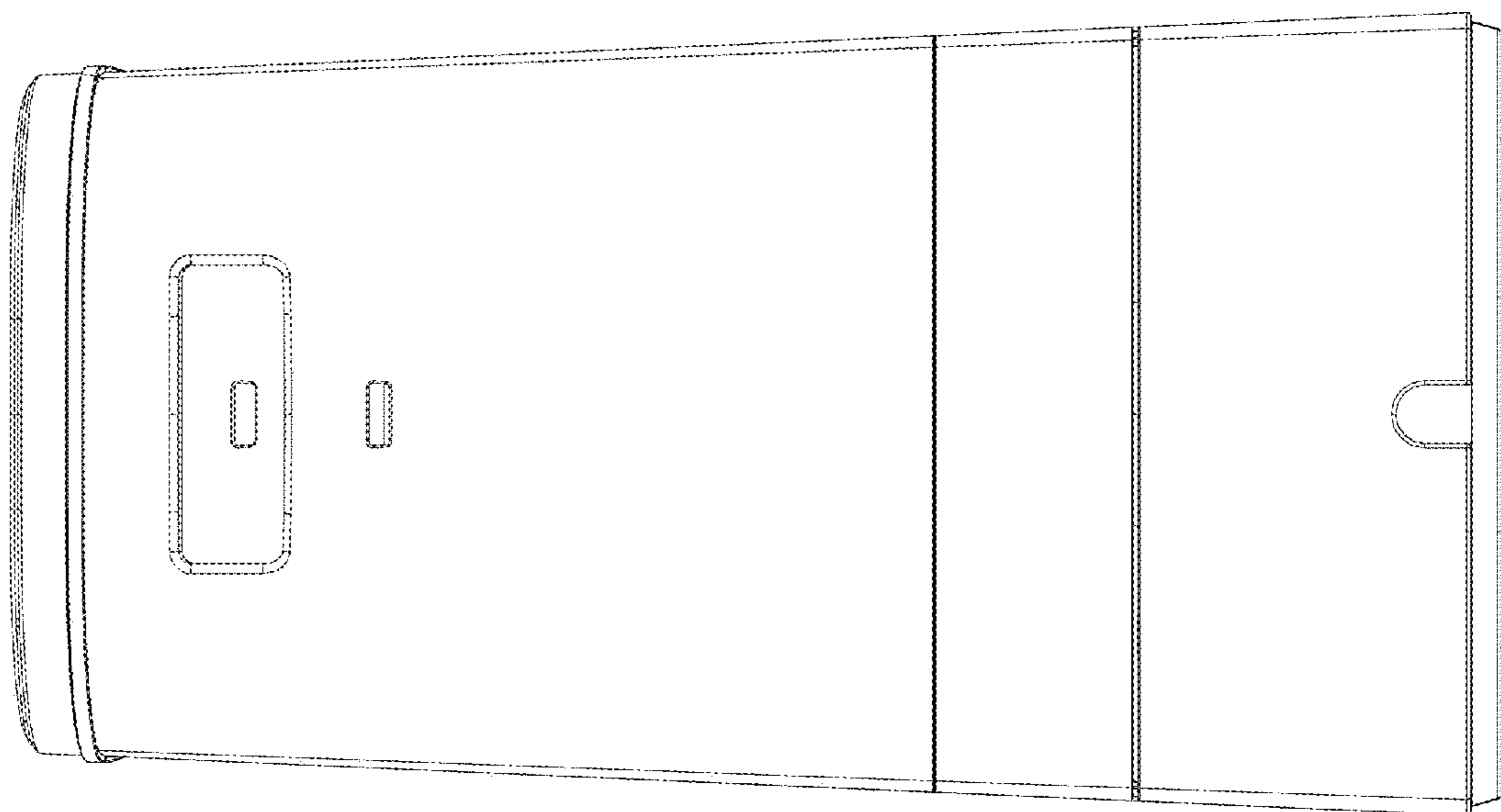


FIG. 13

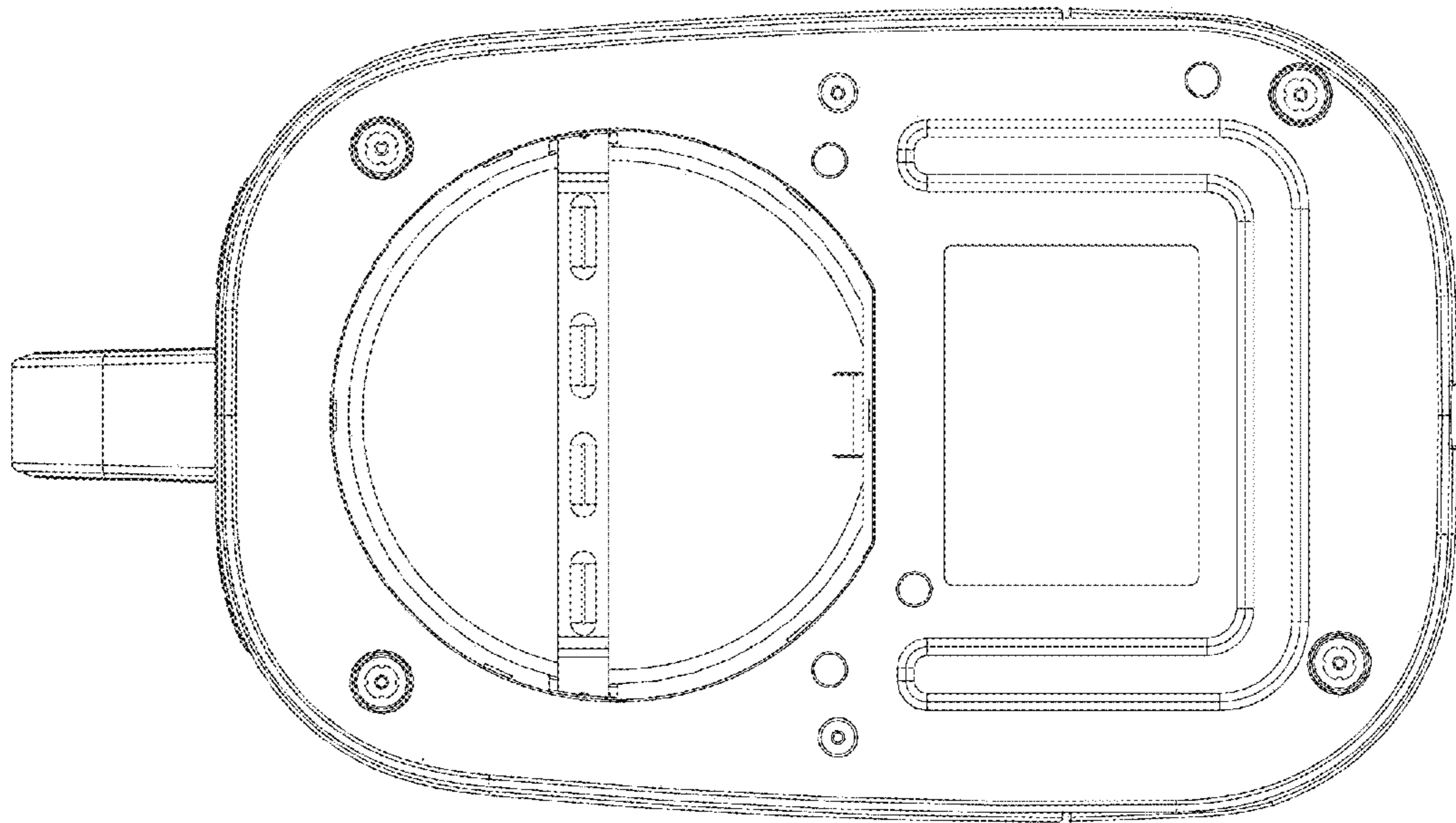


FIG. 14