



US00D747142S

(12) **United States Design Patent**
Miles

(10) **Patent No.:** **US D747,142 S**
(45) **Date of Patent:** **** Jan. 12, 2016**

(54) **PARTIALLY TRANSPARENT LID FOR A COOKING DEVICE**

(71) Applicant: **Derrick Miles**, Raleigh, NC (US)

(72) Inventor: **Derrick Miles**, Raleigh, NC (US)

(**) Term: **14 Years**

(21) Appl. No.: **29/478,307**

(22) Filed: **Jan. 3, 2014**

(51) **LOC (10) Cl.** **07-02**

(52) **U.S. Cl.**
USPC **D7/402**

(58) **Field of Classification Search**
USPC D7/340, 341, 346, 348, 365, 367, 393,
D7/394, 402, 407; D8/315-318; D32/1, 2,
D32/3; 16/412-420; 126/19 M, 275 R, 275 E,
126/21 A; 99/327, 328, 329 R, 331, 332,
99/348, 457, 467, 448, 468, 483, 339
CPC B65D 51/247; B65D 77/245
See application file for complete search history.

(56) **References Cited**

U.S. PATENT DOCUMENTS

D350,670 S * 9/1994 Harris D7/332
D457,392 S * 5/2002 Joergensen D7/402
D696,899 S * 1/2014 Rae D7/354

* cited by examiner

Primary Examiner — Zenia Bennett
(74) *Attorney, Agent, or Firm* — Padowitz Alce

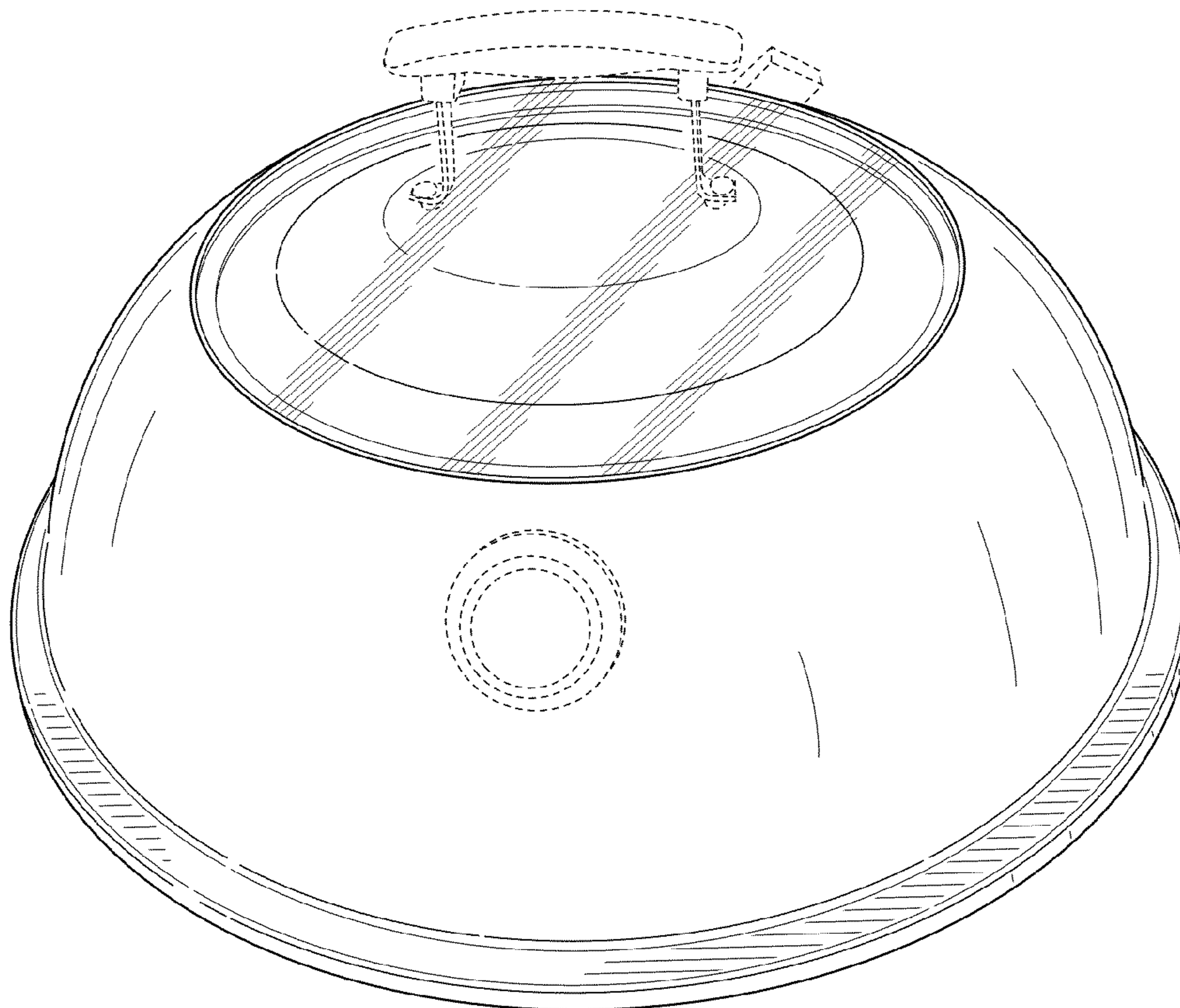
(57) **CLAIM**

The ornamental design for a partially transparent lid for a cooking device, as shown and described.

DESCRIPTION

FIG. 1 is a right-side perspective view of a partially transparent lid for a cooking device showing my new design; FIG. 2 is a front elevation view thereof; FIG. 3 is a back elevation view thereof; FIG. 4 is a right elevation view thereof; FIG. 5 is a left elevation view thereof; FIG. 6 is a top plan view thereof; and, FIG. 7 is a bottom plan view thereof. The broken lines shown in the drawings are shown for illustrating unclaimed portions of the article and presently, form no part of the claimed design.

1 Claim, 5 Drawing Sheets



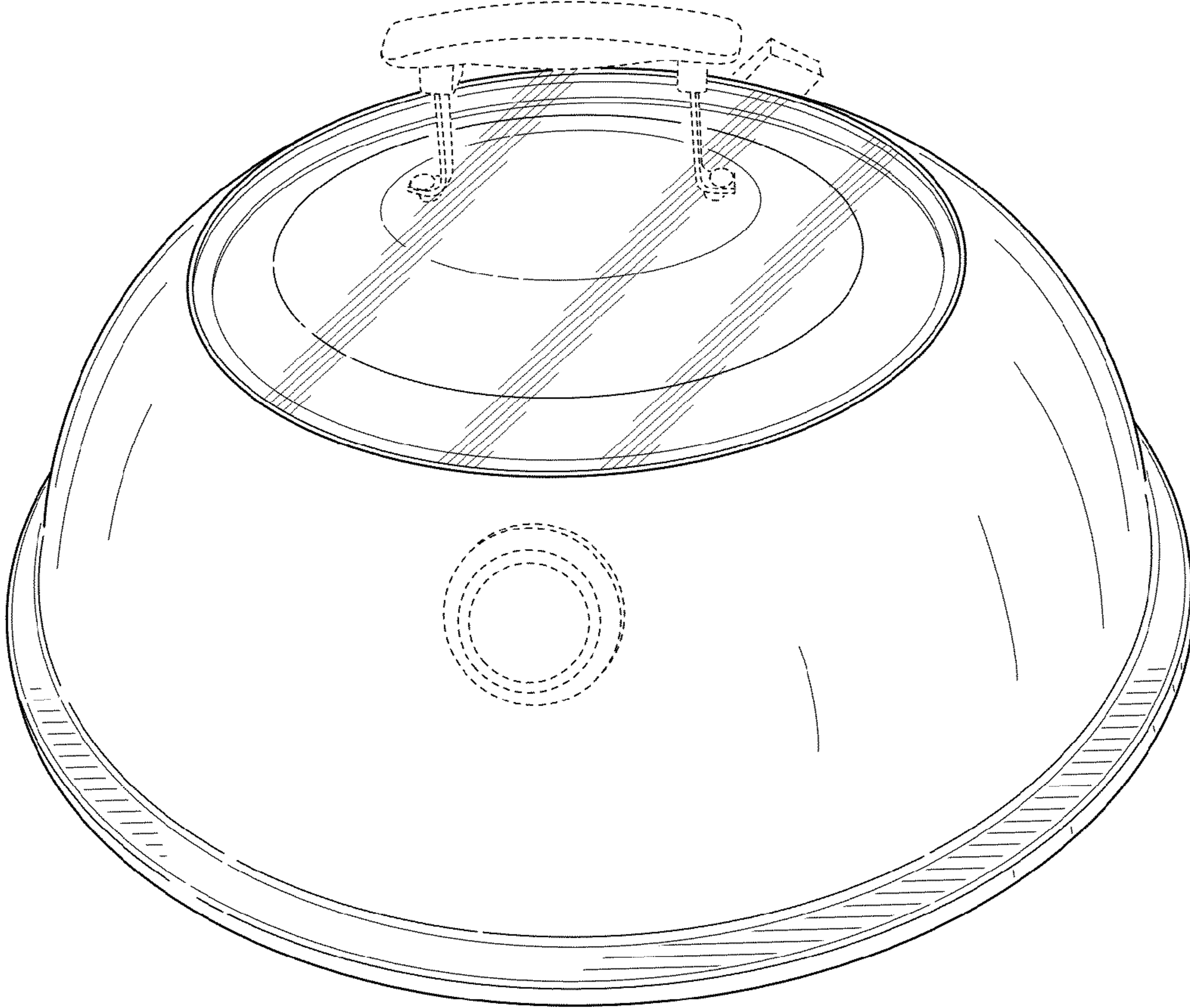


FIG. 1

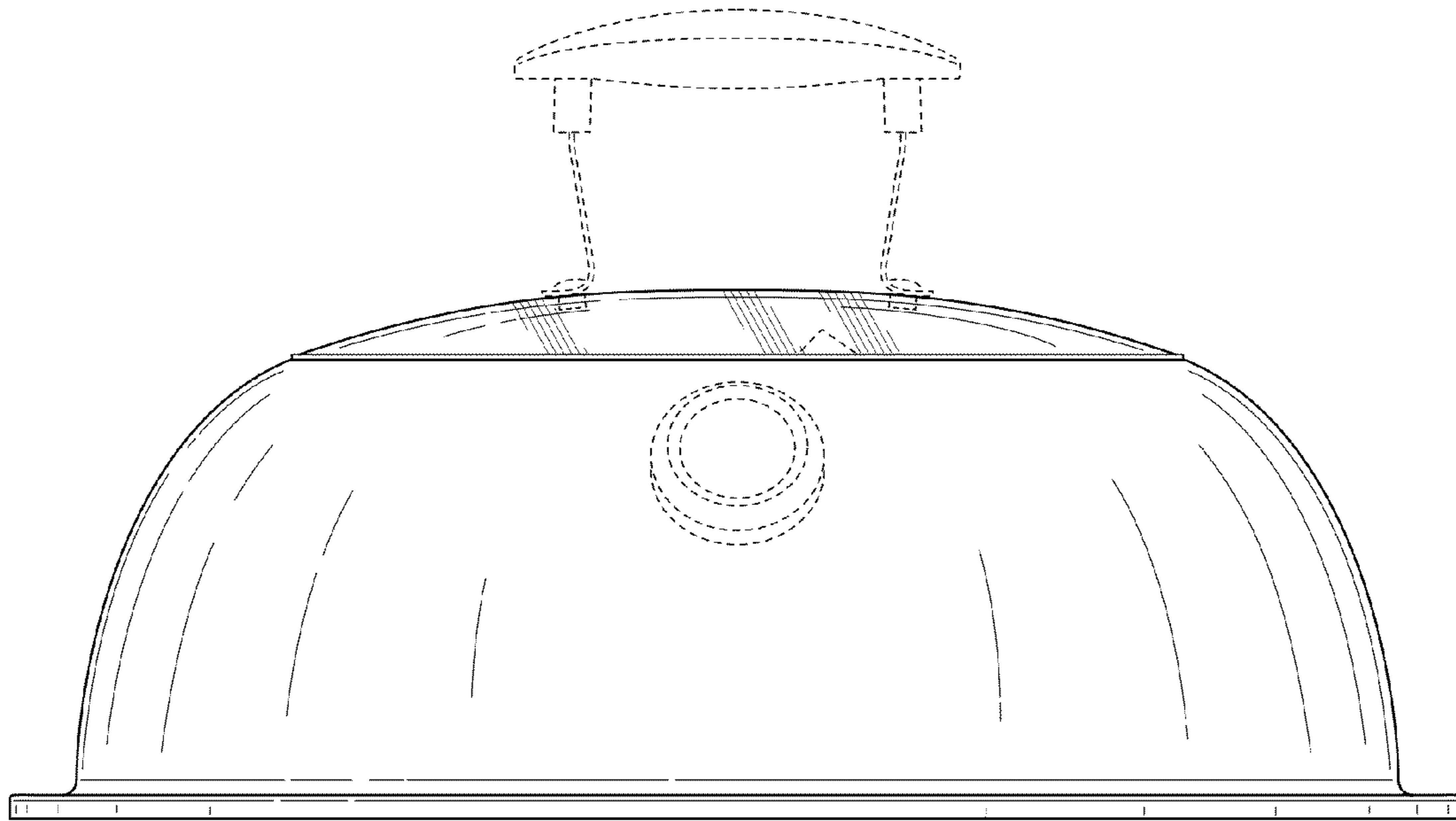


FIG. 2

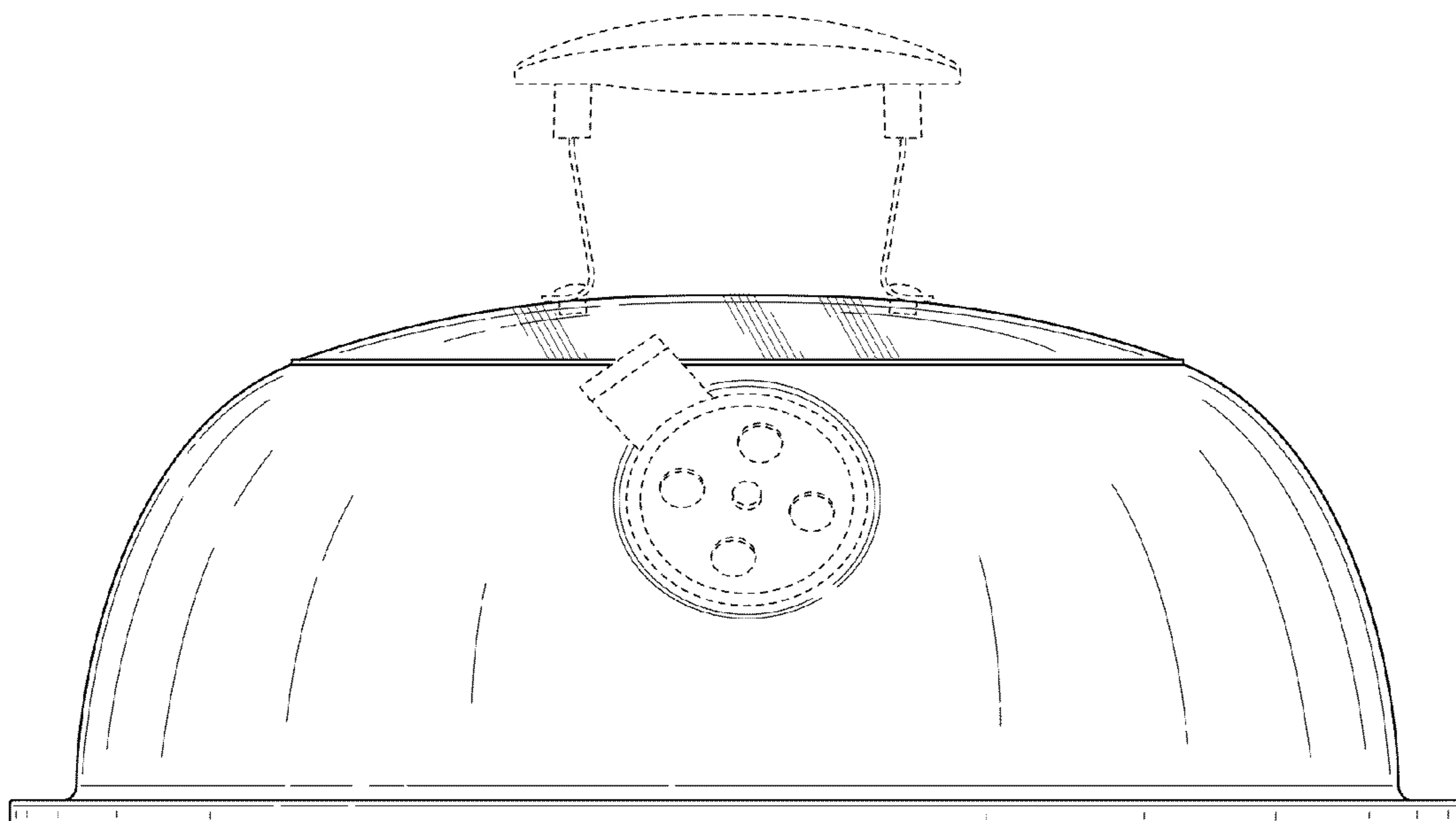


FIG. 3

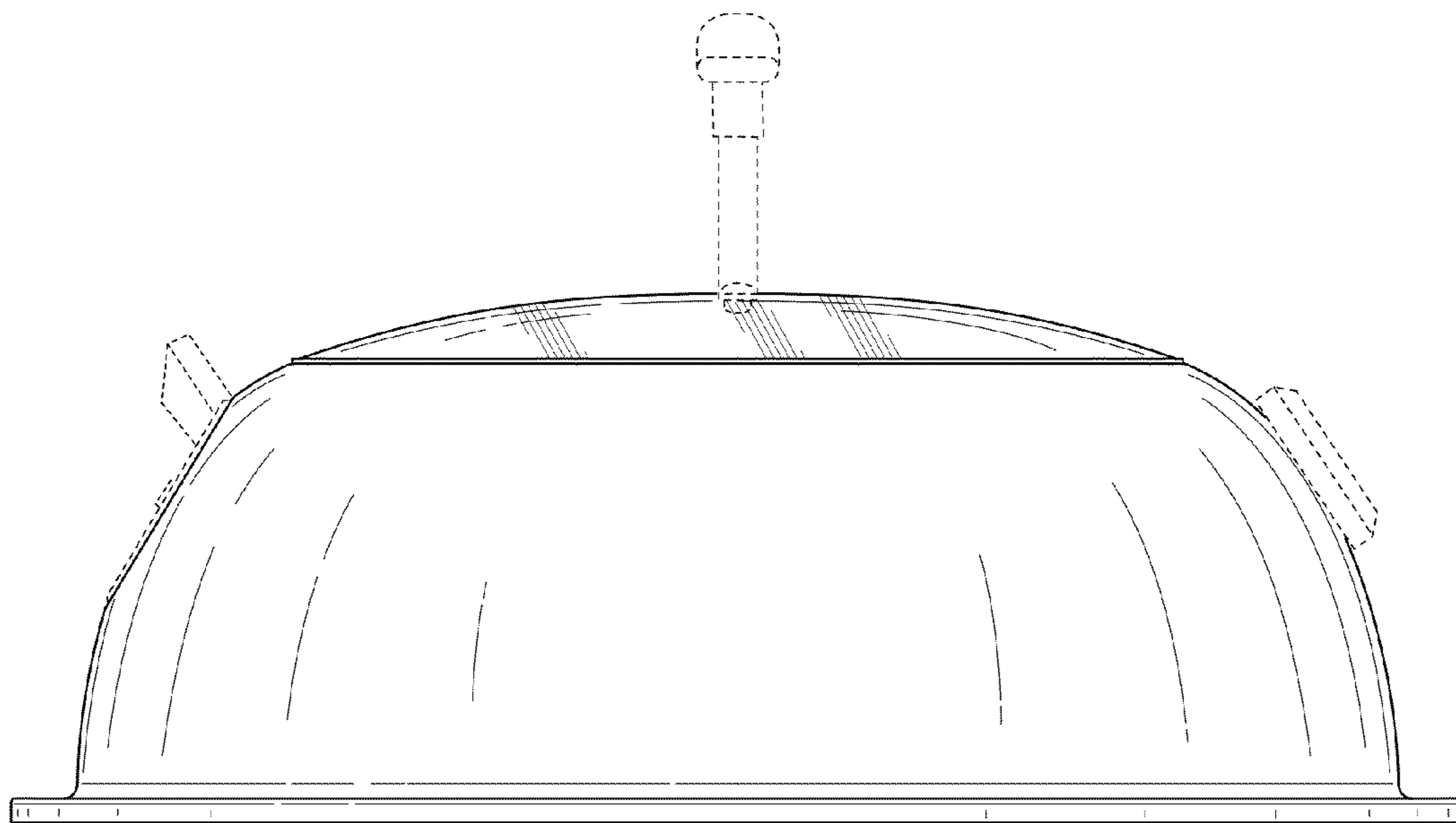


FIG. 4

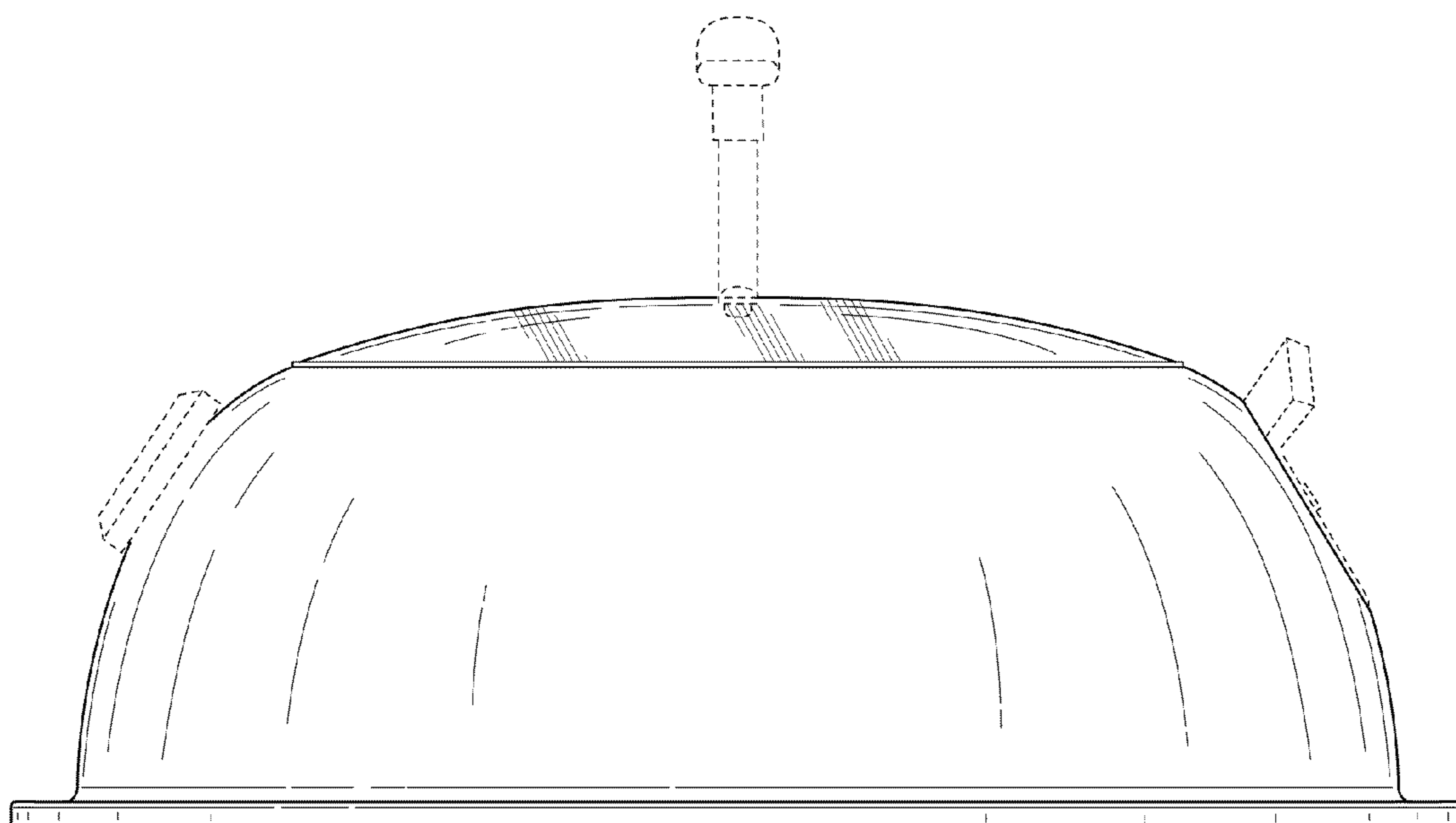


FIG. 5

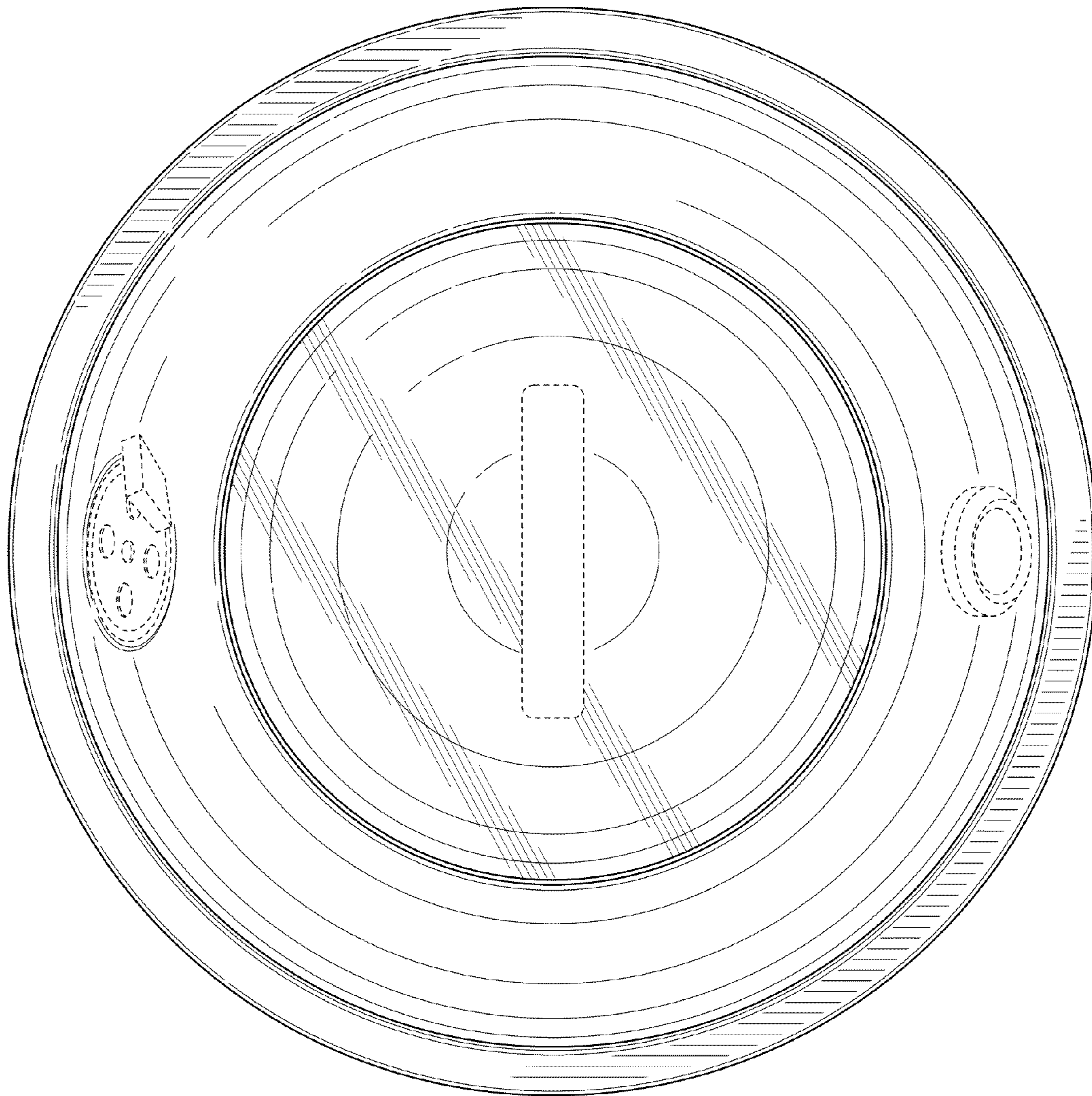


FIG. 6

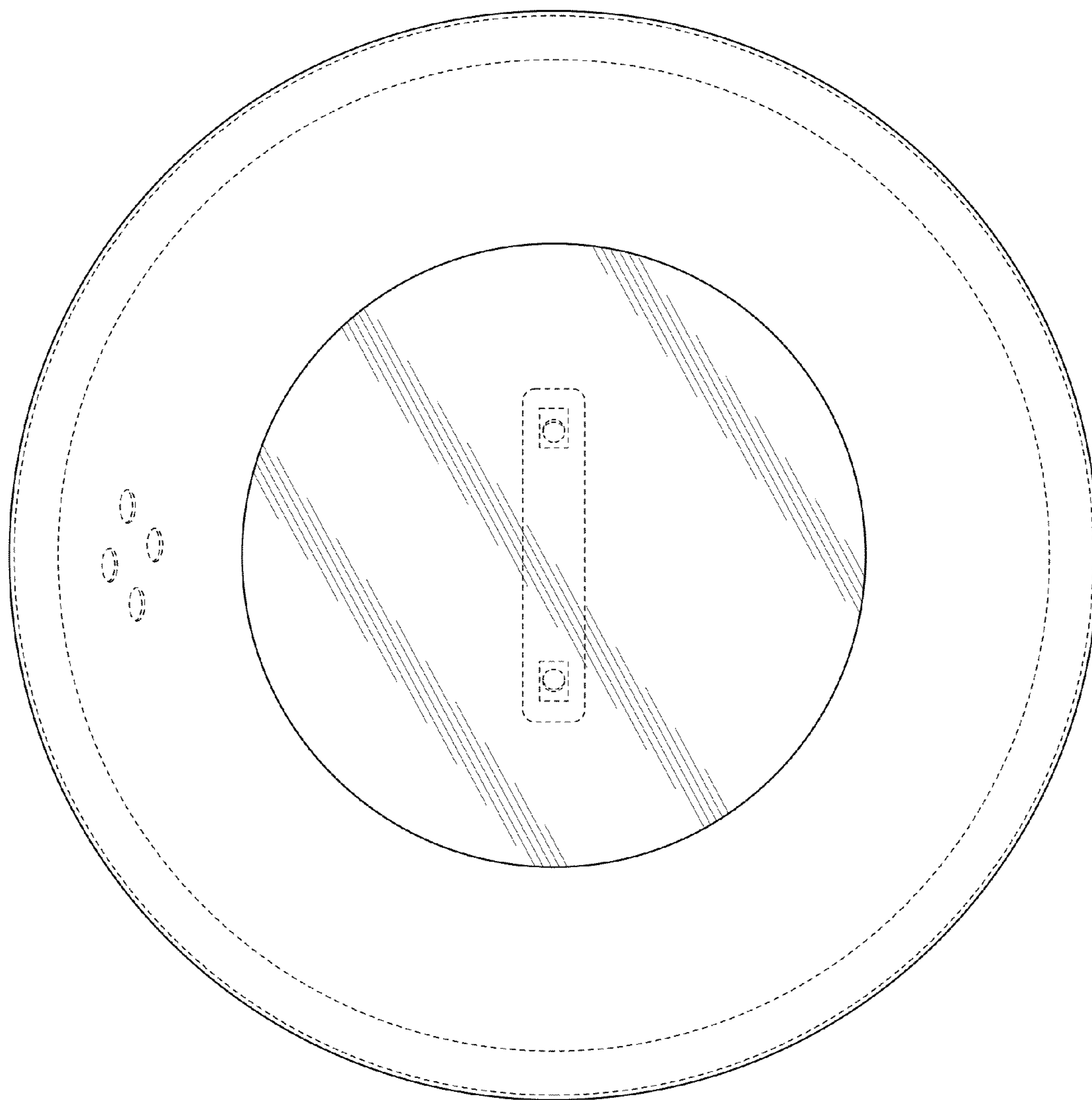


FIG. 7