



US00D747140S

(12) **United States Design Patent**  
**Roth et al.**

(10) **Patent No.:** **US D747,140 S**  
(45) **Date of Patent:** **\*\* Jan. 12, 2016**

(54) **FRUIT INFUSER**

(56) **References Cited**

(71) Applicant: **Cool Gear International, LLC,**  
Plymouth, MA (US)

U.S. PATENT DOCUMENTS

(72) Inventors: **Donna Roth,** Duxbury, MA (US); **John D. Mason,** Brockton, MA (US)

2,505,305	A *	4/1950	Schaefer	4/289
H1157	H *	3/1993	Yanou et al.	D23/209
D396,603	S *	8/1998	Gasser	D7/400
6,283,013	B1 *	9/2001	Romandy et al.	99/322
D474,526	S *	5/2003	Mayer	D23/210
D563,161	S *	3/2008	Bodum	D7/400
D565,350	S *	4/2008	Gauger	D7/400
D567,020	S *	4/2008	Bodum	D7/400
D575,105	S *	8/2008	Gauss	D7/399
D642,657	S *	8/2011	Cumberland et al.	D23/209
D663,580	S *	7/2012	Vagnby	D7/400
D691,418	S *	10/2013	Minton et al.	D7/400
D729,005	S *	5/2015	Lee et al.	D7/400

(73) Assignee: **Cool Gear International, LLC,**  
Plymouth, MA (US)

(\*\*) Term: **14 Years**

\* cited by examiner

(21) Appl. No.: **29/490,793**

(22) Filed: **May 13, 2014**

*Primary Examiner* — Marianne Pandozzi

(51) **LOC (10) Cl.** ..... **07-99**

*Assistant Examiner* — Jae Liang

(52) **U.S. Cl.**  
USPC ..... **D7/400; D7/399; D23/209**

(74) *Attorney, Agent, or Firm* — Mintz Levin Cohn Ferris Glovsky and Popeo, P.C.; Steve Jensen; Richard B. Emmons

(58) **Field of Classification Search**

(57) **CLAIM**

The ornamental design for a fruit infuser, as shown and described.

USPC ..... D7/397, 398, 399, 400, 401, 213, 396.1, D7/396.2, 396.3, 396.4, 387, 392, 700, D7/665, 666, 401.1, 368, 669, 682, 372, D7/380; D9/440, 439, 435, 436, 499; 261/75, 76, 97, 110, 30; 222/190, 450, 222/189.06, 476, 479; 426/474; 141/344; 99/302 R, 323, 316, 317; D10/80, 46; D23/209, 210, 213; 210/359, 188, 264, 210/282; D21/698; 62/457.3; 220/506; 362/544

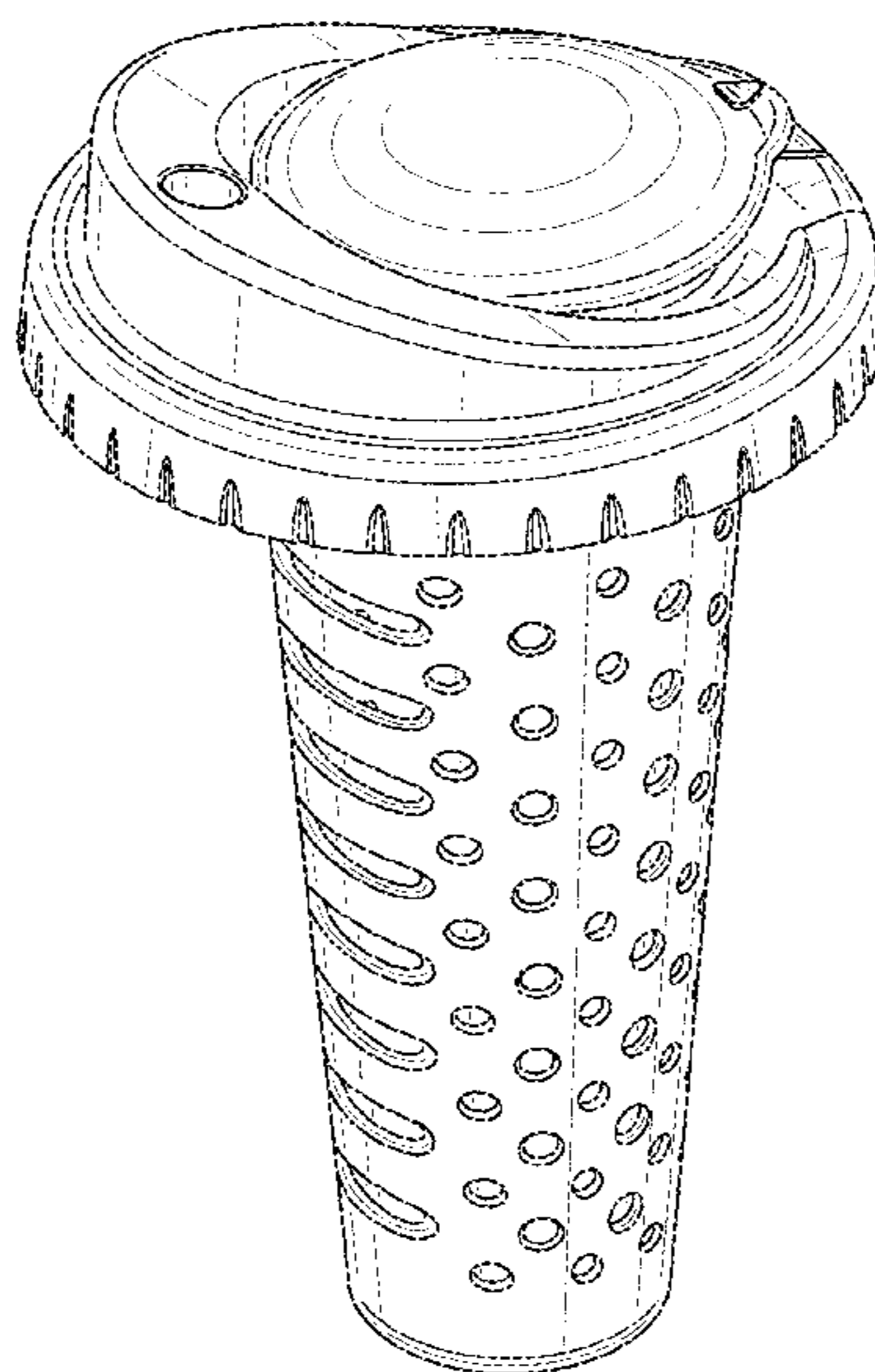
**DESCRIPTION**

CPC ..... B01F 2215/0072; B01F 5/0428; B01F 2215/007; C12G 1/00; A47J 31/057; A47G 23/04; A47G 19/2211; A47G 19/16; A47G 19/14; B01D 41/04

FIG. 1 is a perspective view of a fruit infuser showing our new design;  
FIG. 2 is a front view thereof;  
FIG. 3 is a back view thereof;  
FIG. 4 is a left side view thereof;  
FIG. 5 is a right side view thereof;  
FIG. 6 is a top view thereof;  
FIG. 7 is a bottom view thereof; and,  
FIG. 8 is a perspective view thereof in use with a cup.  
The broken line showing in the figure drawings are included for the purpose of illustration and form no part of the claimed design.

See application file for complete search history.

**1 Claim, 7 Drawing Sheets**



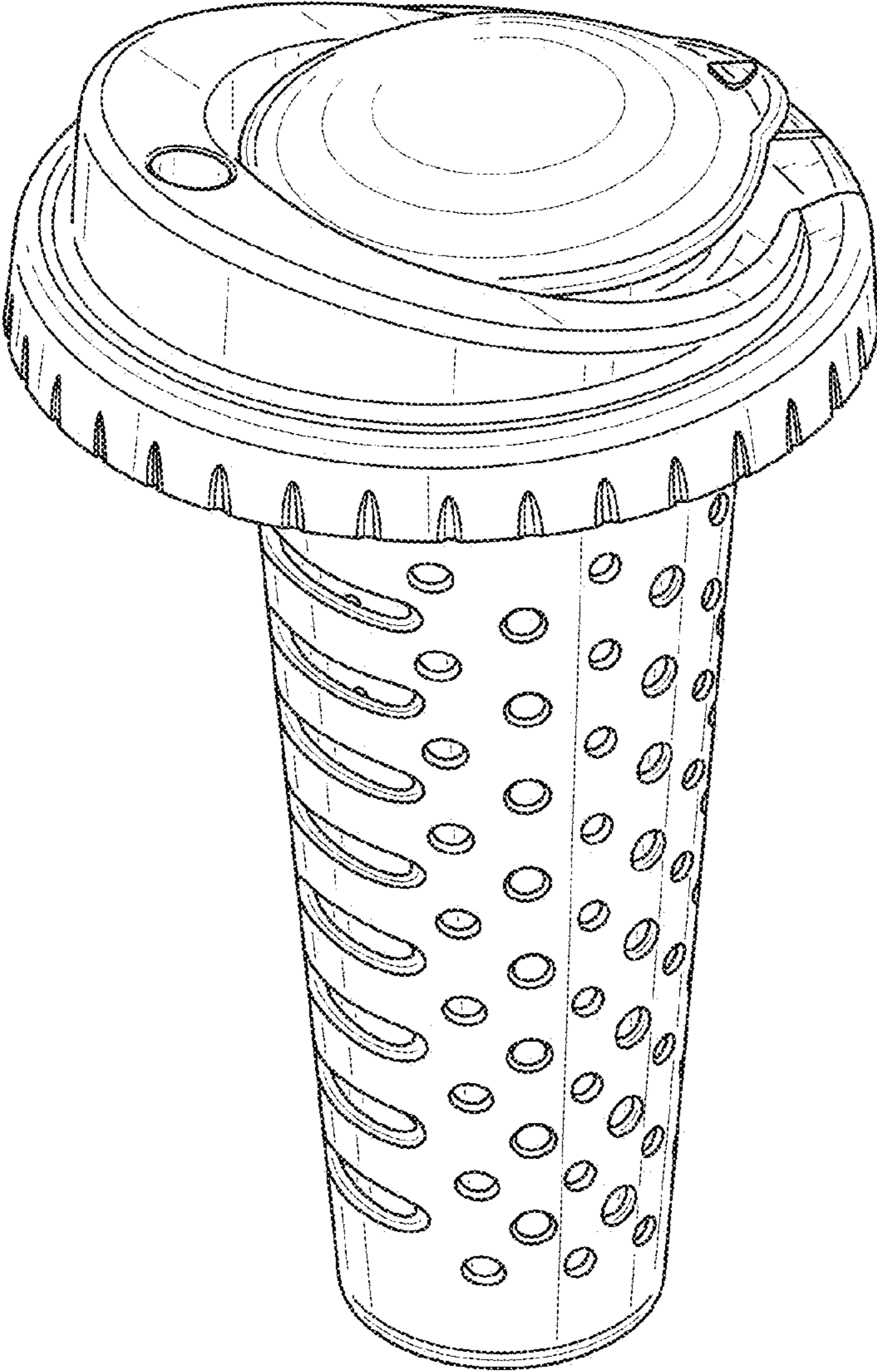


FIG. 1

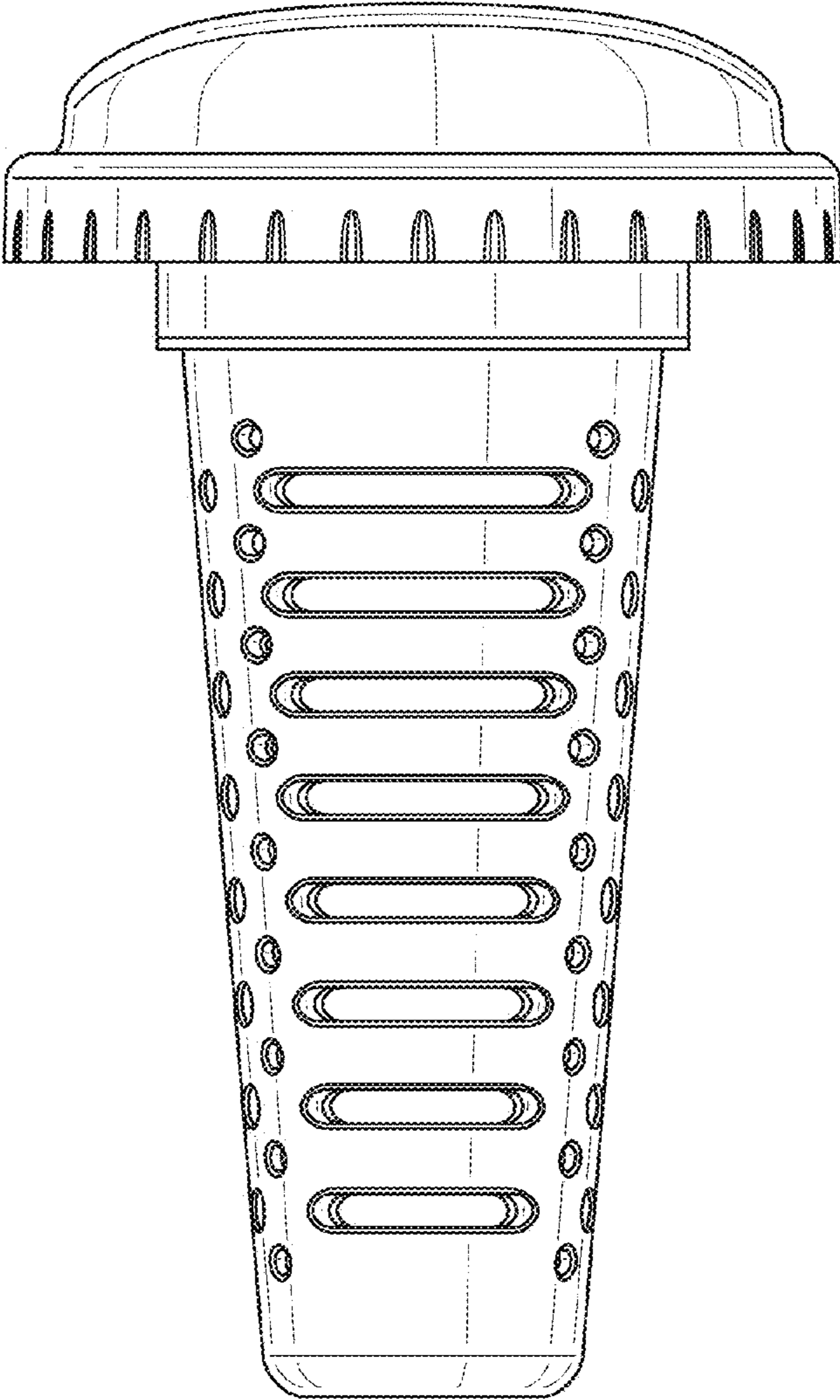


FIG. 2

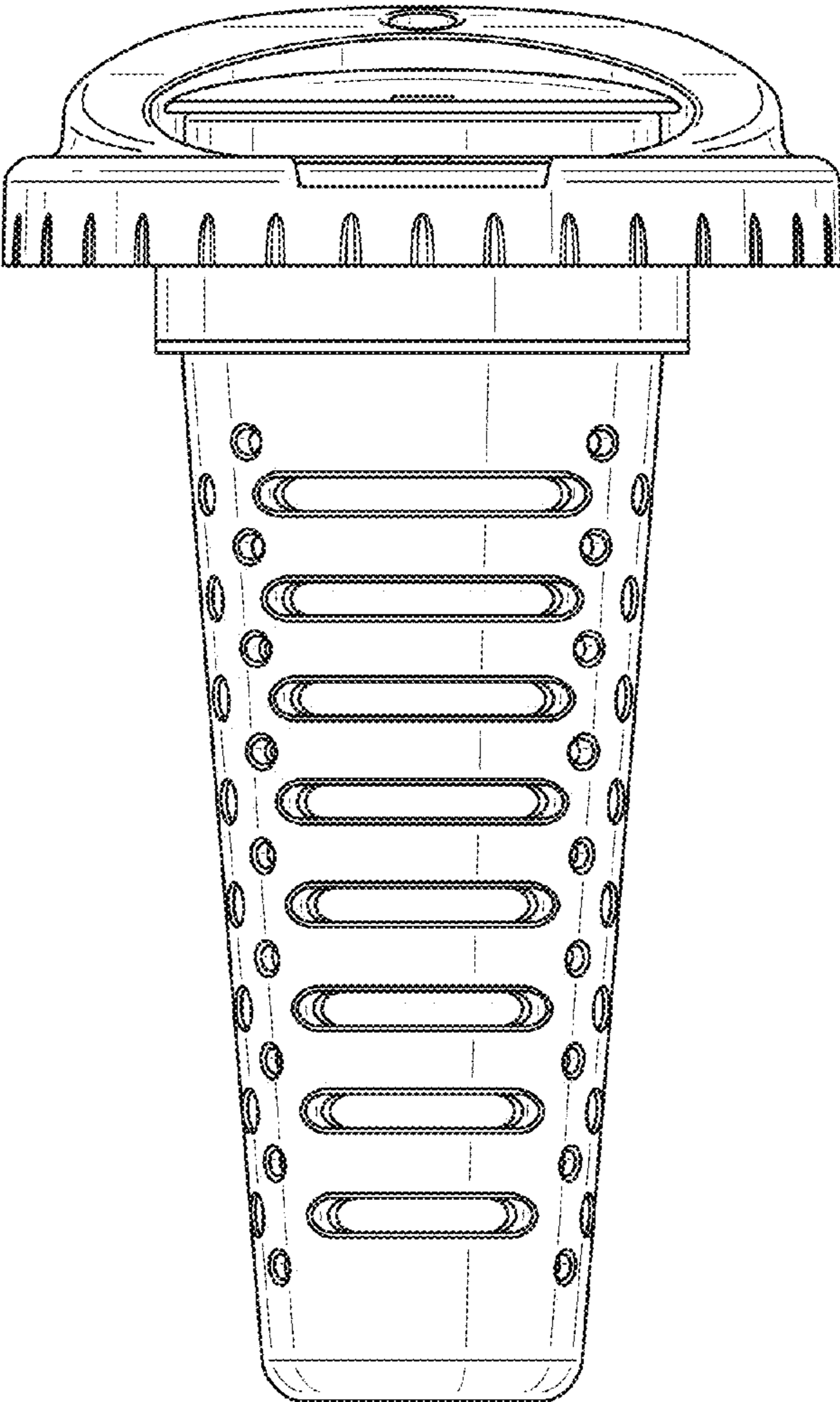


FIG. 3



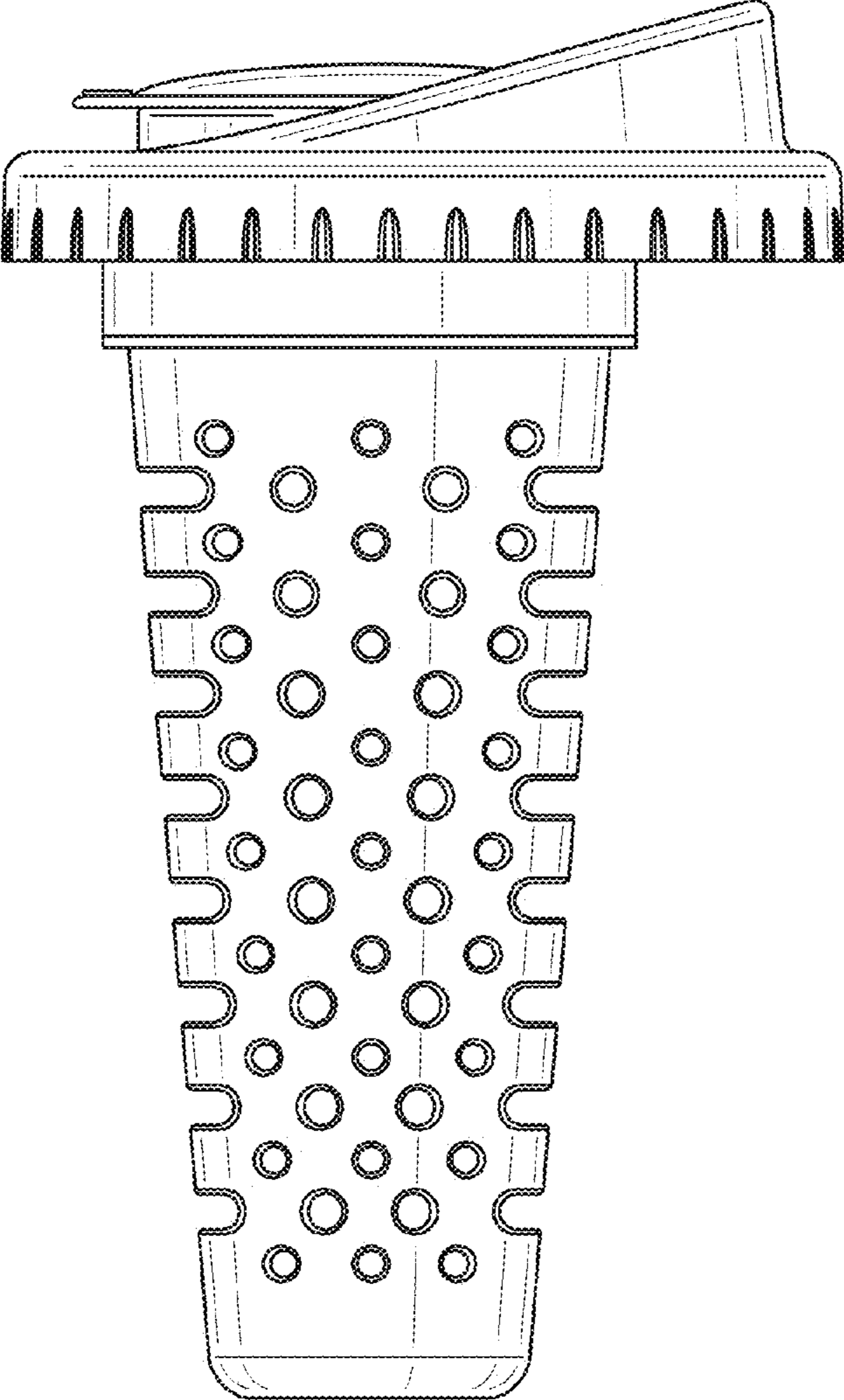


FIG. 4

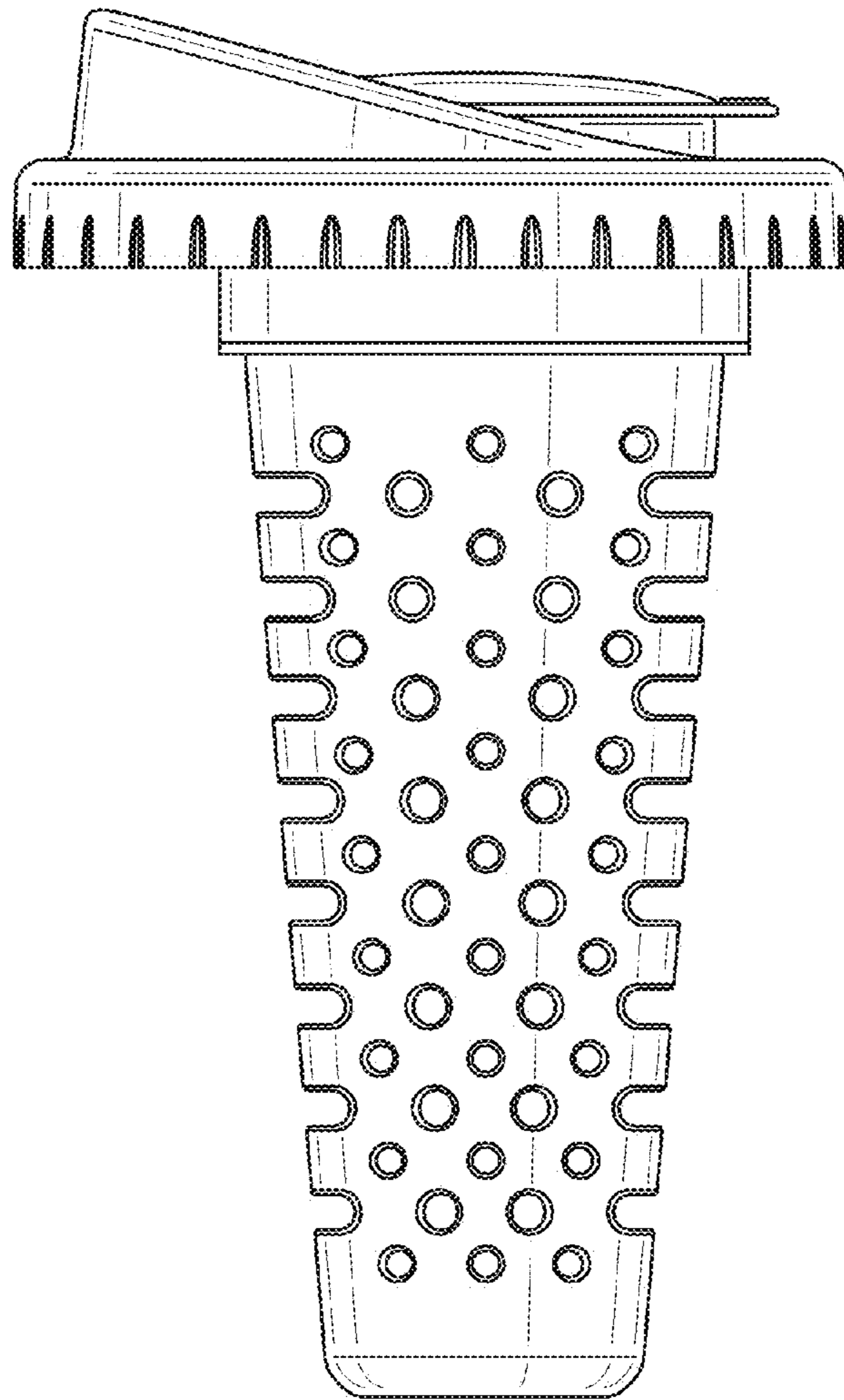


FIG. 5

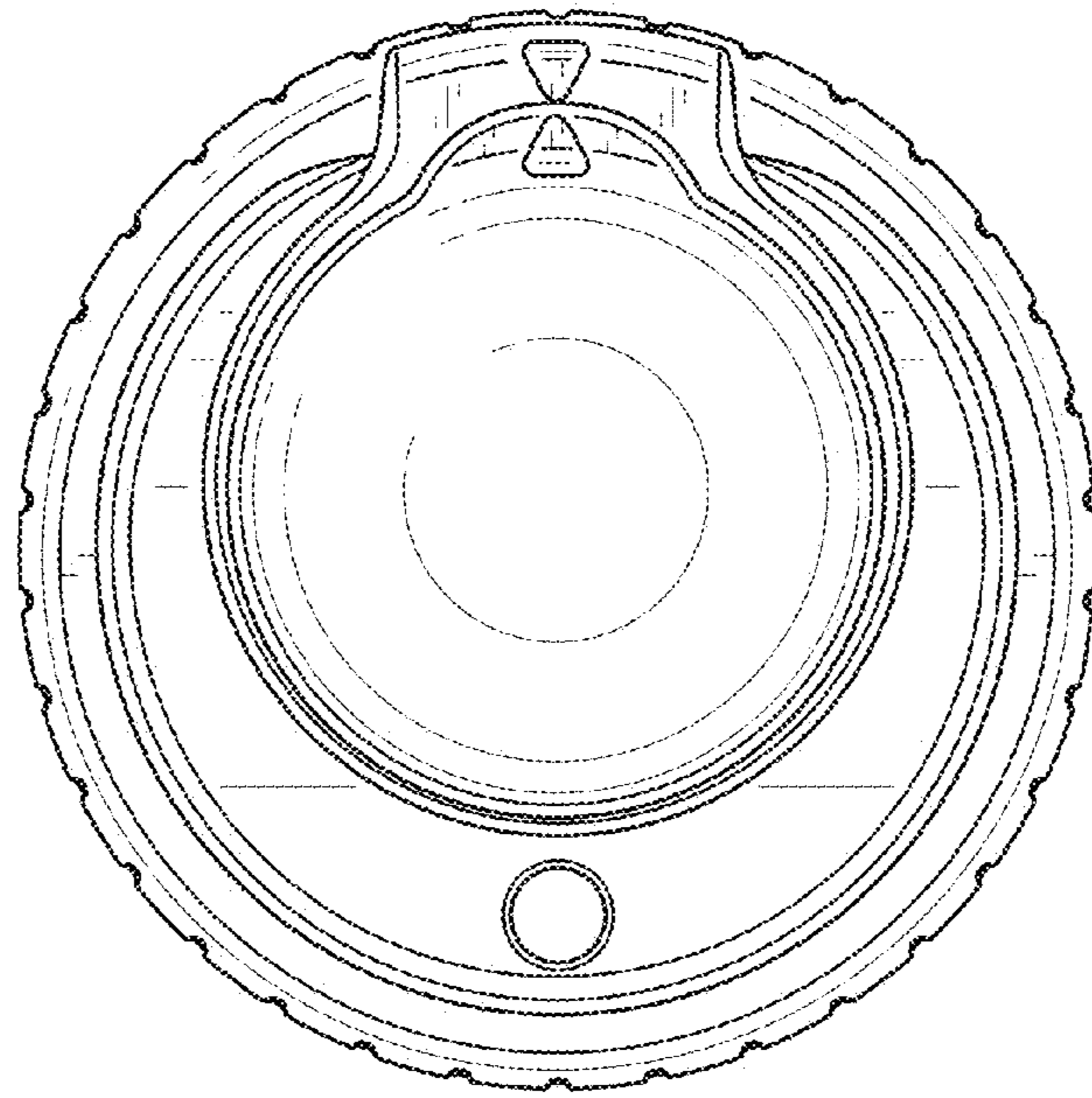


FIG. 6

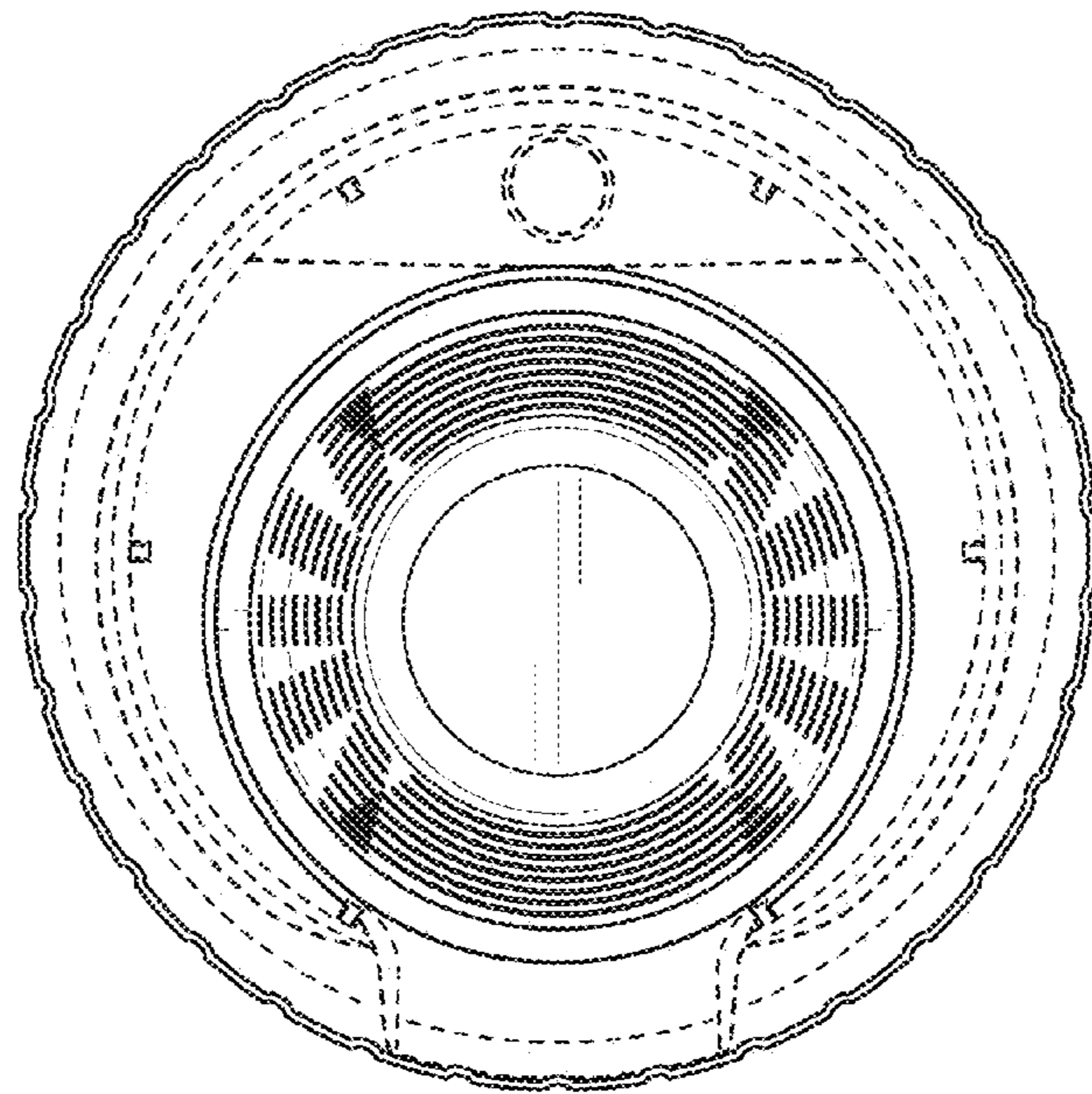


FIG. 7

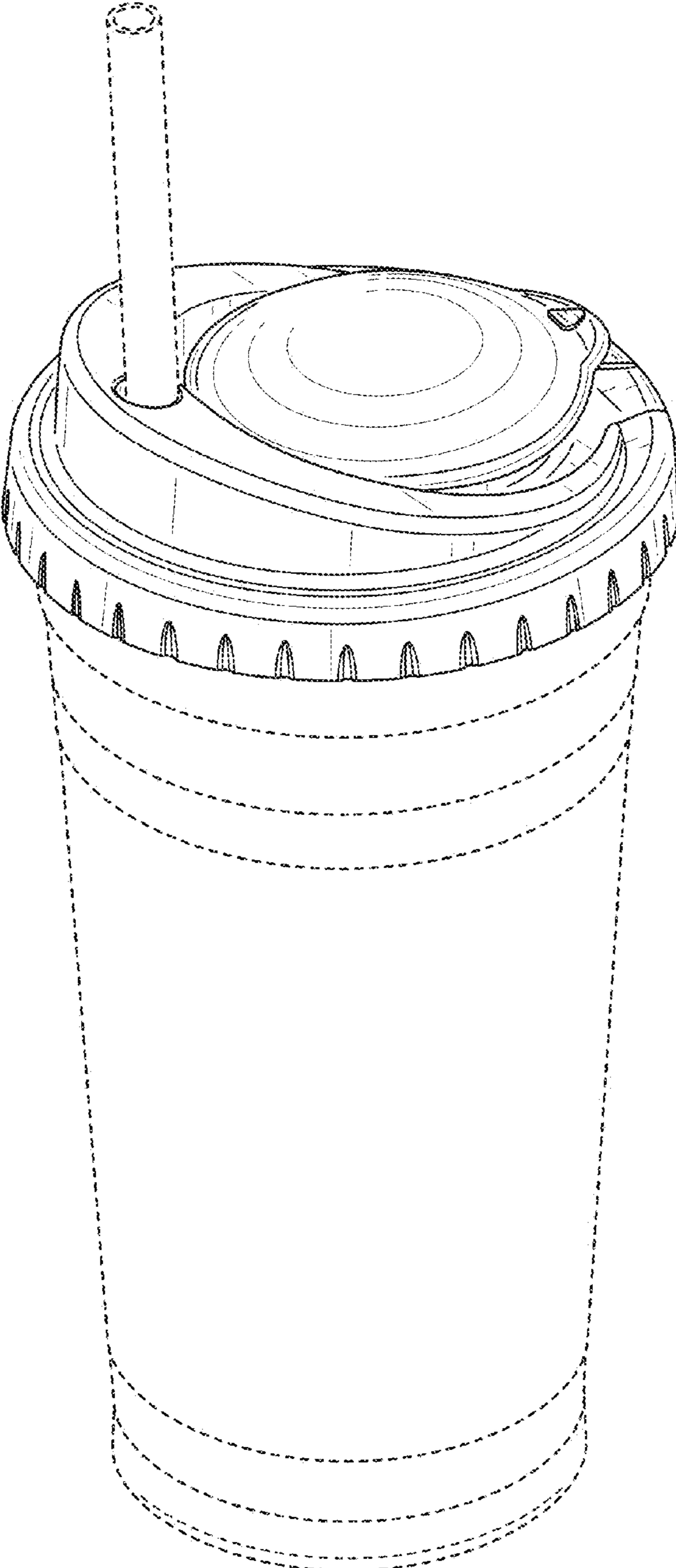


FIG. 8