



US00D747138S

(12) **United States Design Patent**
Hakim

(10) **Patent No.:** **US D747,138 S**
(45) **Date of Patent:** **** Jan. 12, 2016**

- (54) **COLLAR PORTION OF DRINKING CUP CAP**
- (71) Applicant: **Admar International, Inc.**, Monroe, LA (US)
- (72) Inventor: **Nouri Edward Hakim**, Monroe, LA (US)
- (73) Assignee: **Admar International, Inc.**, Monroe, LA (US)
- (**) Term: **14 Years**
- (21) Appl. No.: **29/511,913**
- (22) Filed: **Dec. 15, 2014**

- D421,878 S 3/2000 Roehrig
- D424,937 S * 5/2000 Tucker D9/435
- 6,321,931 B1 11/2001 Hakim et al.
- D464,434 S 10/2002 Morano
- D504,724 S * 5/2005 Randolph D24/196
- D510,025 S * 9/2005 Venkataraman D9/552
- D511,436 S 11/2005 Giddings et al.
- D515,867 S 2/2006 Randolph et al.
- D550,078 S * 9/2007 Henry D9/435
- D556,513 S * 12/2007 Yelland D7/523
- D579,721 S 11/2008 Qian
- D579,722 S 11/2008 Sakulsacha et al.
- D590,255 S * 4/2009 Maxwell D9/447
- D608,148 S 1/2010 Lane
- D634,439 S 3/2011 Hakim
- D637,041 S * 5/2011 Haskell D7/510
- D642,436 S 8/2011 Schofield et al.
- D667,558 S 9/2012 Hakim
- D671,793 S 12/2012 Hakim
- D675,062 S 1/2013 Dunn et al.
- D679,948 S 4/2013 Meyer et al.
- D686,453 S 7/2013 Smiedt et al.
- D688,524 S 8/2013 Hsu
- D693,177 S 11/2013 Tollman

Related U.S. Application Data

- (62) Division of application No. 29/461,458, filed on Jul. 23, 2013, now Pat. No. Des. 721,914.

- (51) **LOC (10) Cl.** **07-01**
- (52) **U.S. Cl.**
USPC **D7/396.2**

- (58) **Field of Classification Search**
USPC D9/434-436, 439-440, 443, 447-450, D9/523, 524, 661, 662, 552; D7/509-512, D7/518, 521, 523, 529, 532, 392.1, 396.2, D7/393, 531, 534, 392; D24/196, 197
CPC A47G 19/2272; A47G 19/2266; A47G 19/2288; A61J 9/00; A61J 9/0623
See application file for complete search history.

(56) **References Cited**

U.S. PATENT DOCUMENTS

- D172,854 S * 8/1954 Waldo D7/392.1
- D315,213 S 3/1991 Ohnuki
- D358,294 S * 5/1995 Letica D7/392.1
- D408,283 S * 4/1999 Tucker D9/435
- 5,967,307 A 10/1999 Wang

(Continued)

Primary Examiner — Susan Bennett Hattan

Assistant Examiner — Brett Miller

(74) *Attorney, Agent, or Firm* — Husch Blackwell LLP

(57) **CLAIM**

An ornamental design for a collar portion of drinking cup cap, as shown and described.

DESCRIPTION

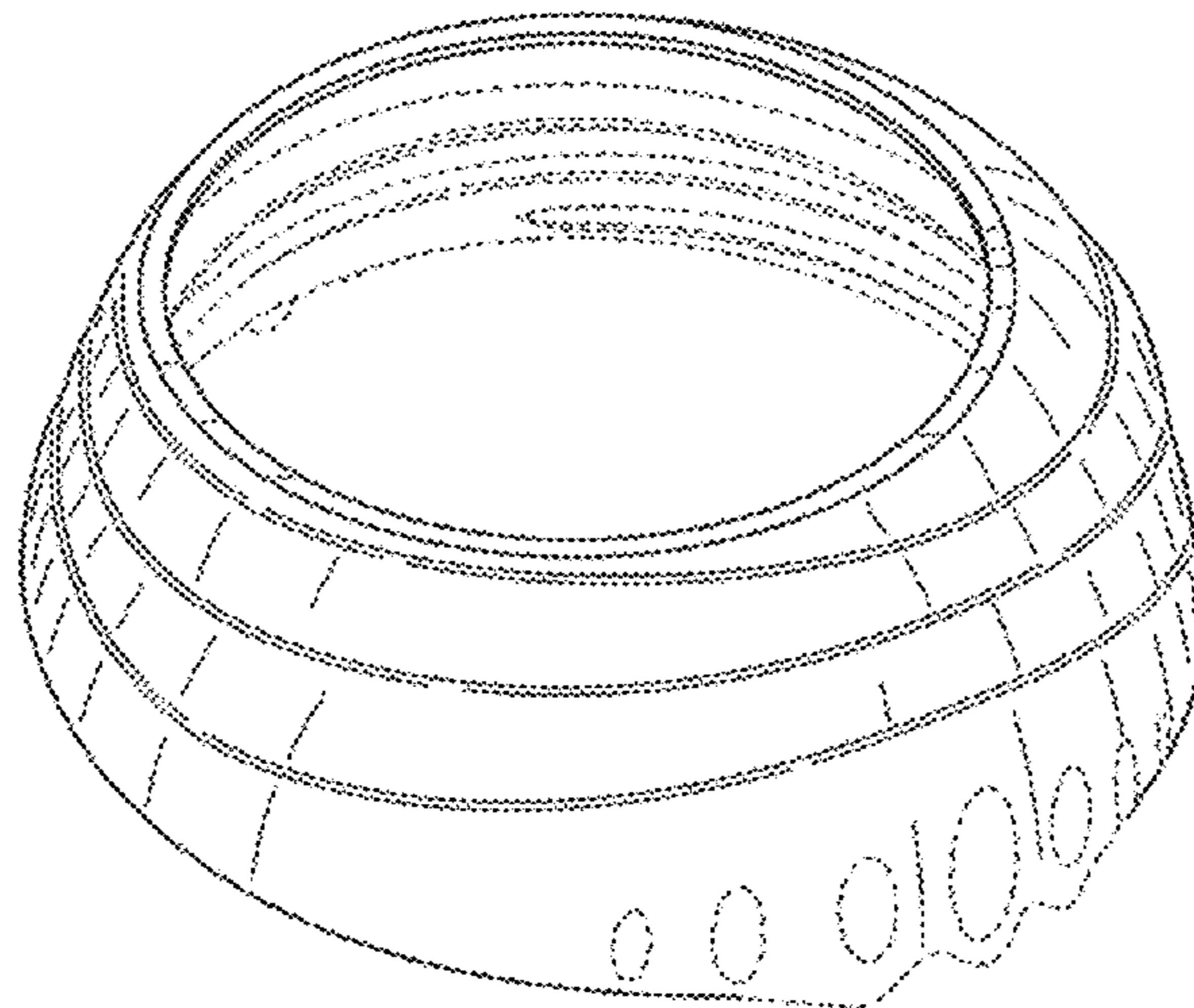
FIG. 1 is a perspective view of a collar portion of drinking cup cap;

FIG. 2 is a top plan view thereof; and,

FIG. 3 is a bottom view thereof.

The broken lines in the drawings depict unclaimed portions of the collar portion of drinking cup cap and forms no part of the claimed design.

1 Claim, 2 Drawing Sheets



(56)

References Cited

U.S. PATENT DOCUMENTS

D699,068 S 2/2014 Dunn et al.
D699,857 S 2/2014 Py
D708,901 S 7/2014 Dunn et al.
D709,320 S 7/2014 Jagger

D717,107 S * 11/2014 Dunn D7/396.2
D721,914 S * 2/2015 Hakim D7/396.2
2003/0066839 A1 4/2003 Connors et al.
2005/0056614 A1 3/2005 Morano et al.
2014/0103041 A1 4/2014 Randolph et al.

* cited by examiner

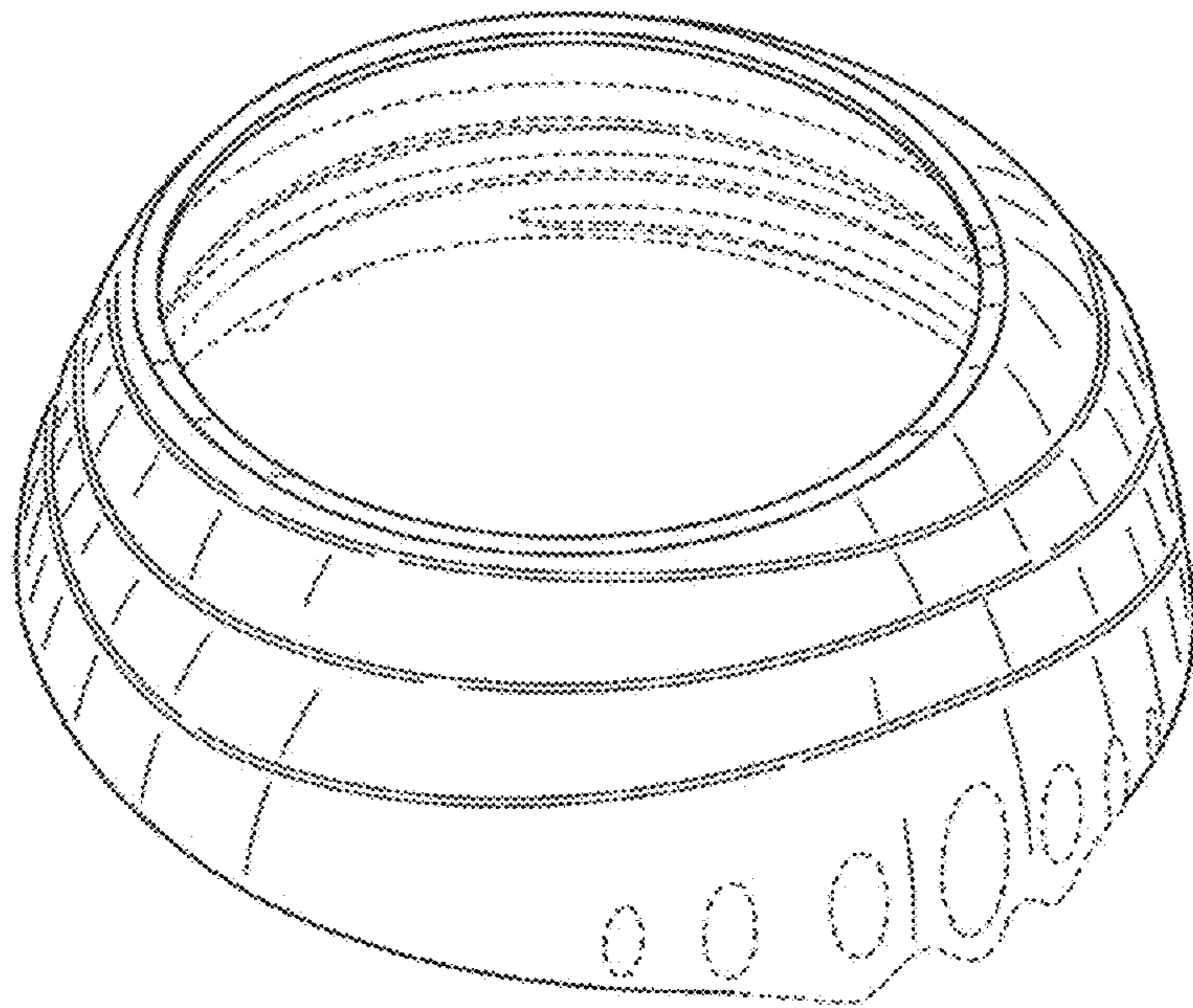


FIG. 1

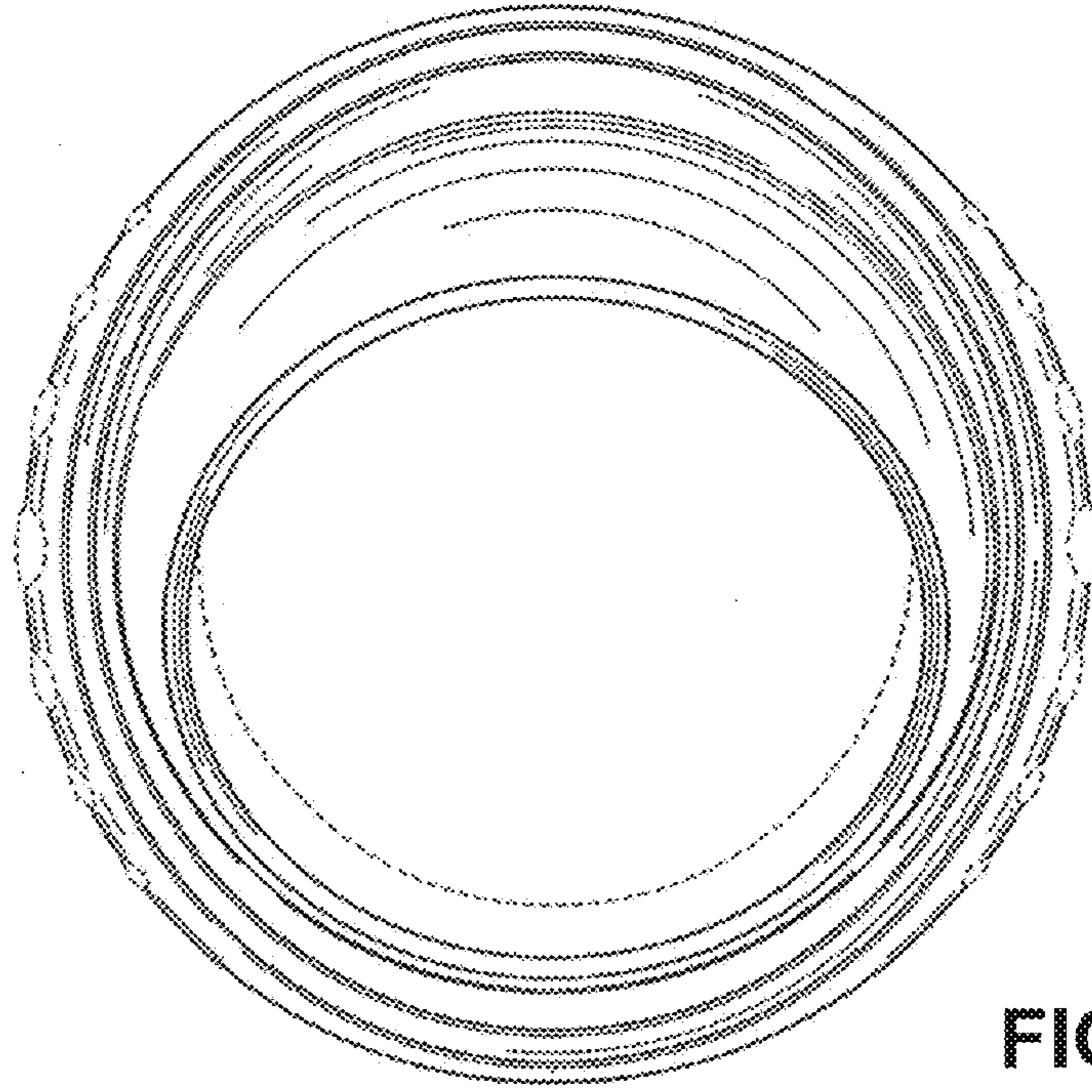


FIG. 2

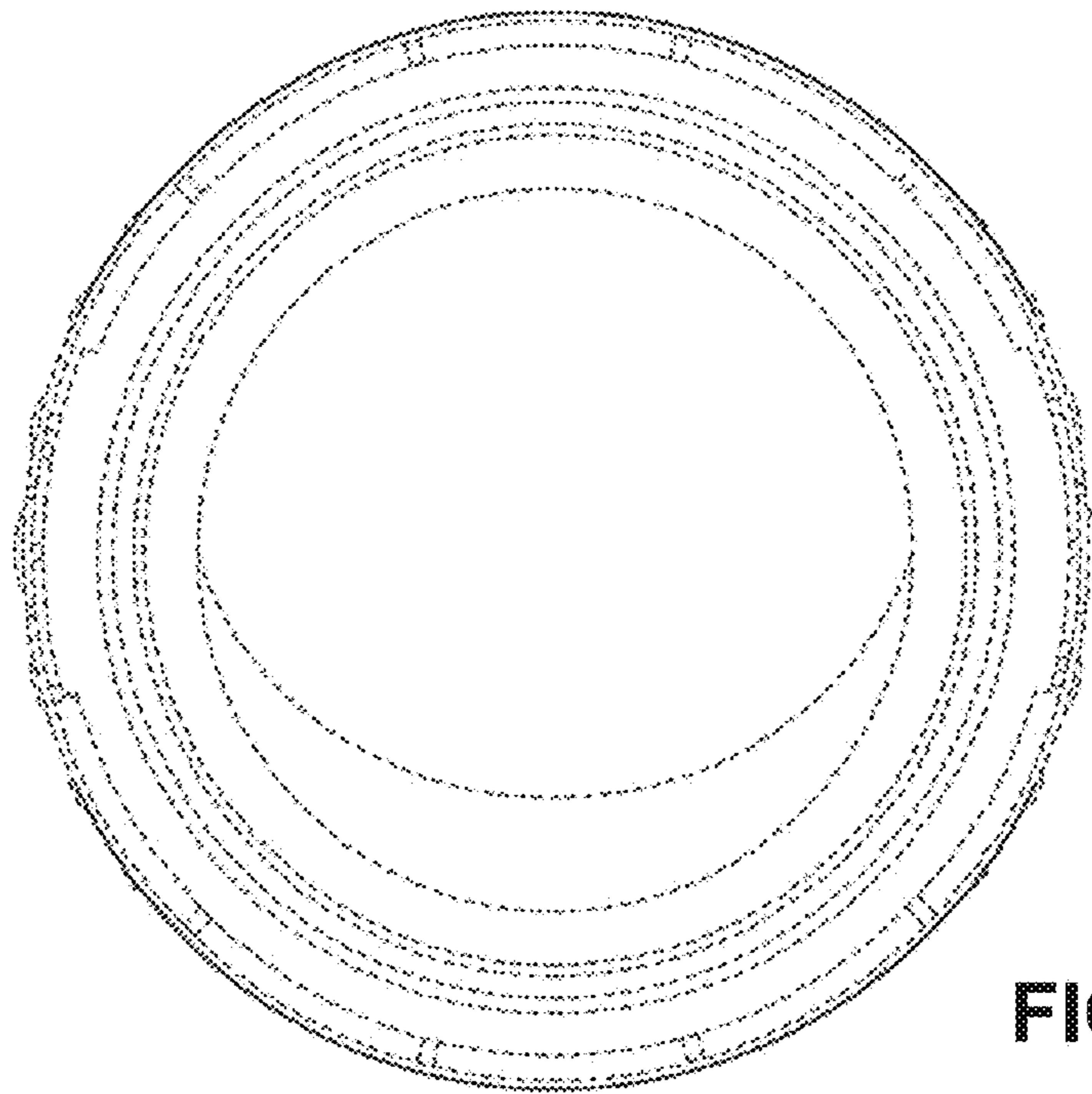


FIG. 3