



US00D747137S

(12) **United States Design Patent**
Hakim

(10) **Patent No.:** **US D747,137 S**
(45) **Date of Patent:** **** Jan. 12, 2016**

- (54) **DRINKING CUP CAP**
- (71) Applicant: **Admar International, Inc.**, Monroe, LA (US)
- (72) Inventor: **Nouri Edward Hakim**, Monroe, LA (US)
- (73) Assignee: **Admar International, Inc.**, Monroe, LA (US)
- (**) Term: **14 Years**
- (21) Appl. No.: **29/511,892**
- (22) Filed: **Dec. 15, 2014**

D446,685 S *	8/2001	Atkin	D7/510
6,321,931 B1	11/2001	Hakim et al.	
D459,155 S *	6/2002	Atkin	D7/510
D464,434 S	10/2002	Morano	
D511,436 S	11/2005	Giddings et al.	
D515,867 S	2/2006	Randolph et al.	
D567,384 S *	4/2008	Sakulsacha	D24/196
D579,721 S	11/2008	Qian	
D579,722 S	11/2008	Sakulsacha et al.	
D608,148 S	1/2010	Lane	
D617,465 S *	6/2010	Hakim	D24/197
D634,439 S	3/2011	Hakim	
D642,436 S	8/2011	Schofield et al.	
D667,558 S	9/2012	Hakim	
D671,793 S	12/2012	Hakim	
D675,062 S	1/2013	Dunn et al.	
D679,948 S	4/2013	Meyer et al.	
D686,453 S	7/2013	Smiedt et al.	
D688,524 S	8/2013	Hsu	
D693,177 S	11/2013	Tollman	

Related U.S. Application Data

- (62) Division of application No. 29/461,458, filed on Jul. 23, 2013, now Pat. No. Des. 721,914.
- (51) **LOC (10) Cl.** **07-01**
- (52) **U.S. Cl.**
USPC **D7/396.2**
- (58) **Field of Classification Search**
USPC D9/434-436, 439-440, 443, 447-450,
D9/523, 524, 661, 662; D7/509-512, 518,
D7/521, 523, 529, 532, 392.1, 396.2, 393,
D7/531, 534, 392; D24/196, 197
CPC A47G 19/2272; A47G 19/2266; A47G
19/2288; A61J 9/00; A61J 9/0623
See application file for complete search history.

References Cited

U.S. PATENT DOCUMENTS

D315,213 S	3/1991	Ohnuki	
D397,906 S *	9/1998	Briggs	D7/392.1
5,967,307 A	10/1999	Wang	
D417,591 S *	12/1999	Roehrig	D7/510
D421,878 S	3/2000	Roehrig	

(Continued)

Primary Examiner — Susan Bennett Hattan
Assistant Examiner — Brett Miller
(74) *Attorney, Agent, or Firm* — Husch Blackwell LLP

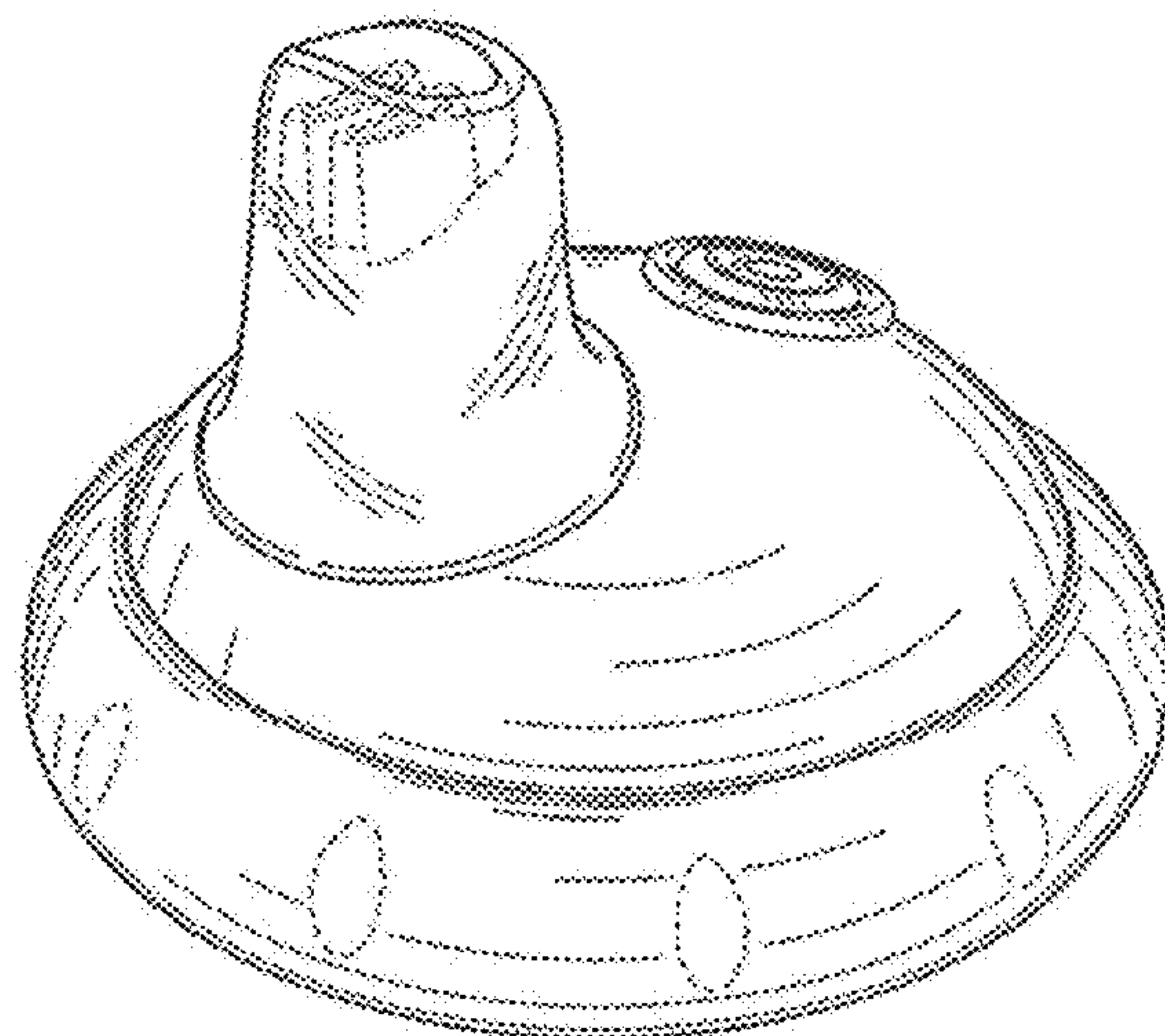
(57) **CLAIM**

An ornamental design for a drinking cup cap, as shown and described.

DESCRIPTION

FIG. 1 is a perspective view of the drinking cup cap;
FIG. 2 is a front elevation view thereof;
FIG. 3 is a rear elevation view thereof;
FIG. 4 is a left side elevation view, the right side view being a mirror image thereof;
FIG. 5 is a top plan view thereof; and,
FIG. 6 is a bottom view thereof.
The broken lines in the drawings depict unclaimed portions of the drinking cup cap and forms no part of the claimed design.

1 Claim, 3 Drawing Sheets



(56)

References Cited

U.S. PATENT DOCUMENTS

D699,068 S 2/2014 Dunn et al.
D699,857 S 2/2014 Py
D708,900 S * 7/2014 Hakim D7/392
D708,901 S 7/2014 Dunn et al.
D709,320 S 7/2014 Jagger
D717,107 S * 11/2014 Dunn D7/396.2
D721,914 S * 2/2015 Hakim D7/396.2

D724,233 S * 3/2015 Moore D24/196
2002/0158075 A1 * 10/2002 Caldicott A47G 19/2272
220/714
2003/0066839 A1 4/2003 Connors et al.
2005/0056614 A1 3/2005 Morano et al.
2008/0128438 A1 * 6/2008 Lane A47G 19/2272
220/717
2012/0091143 A1 * 4/2012 Hakim A47G 19/2272
220/373
2014/0103041 A1 4/2014 Randolph et al.
* cited by examiner

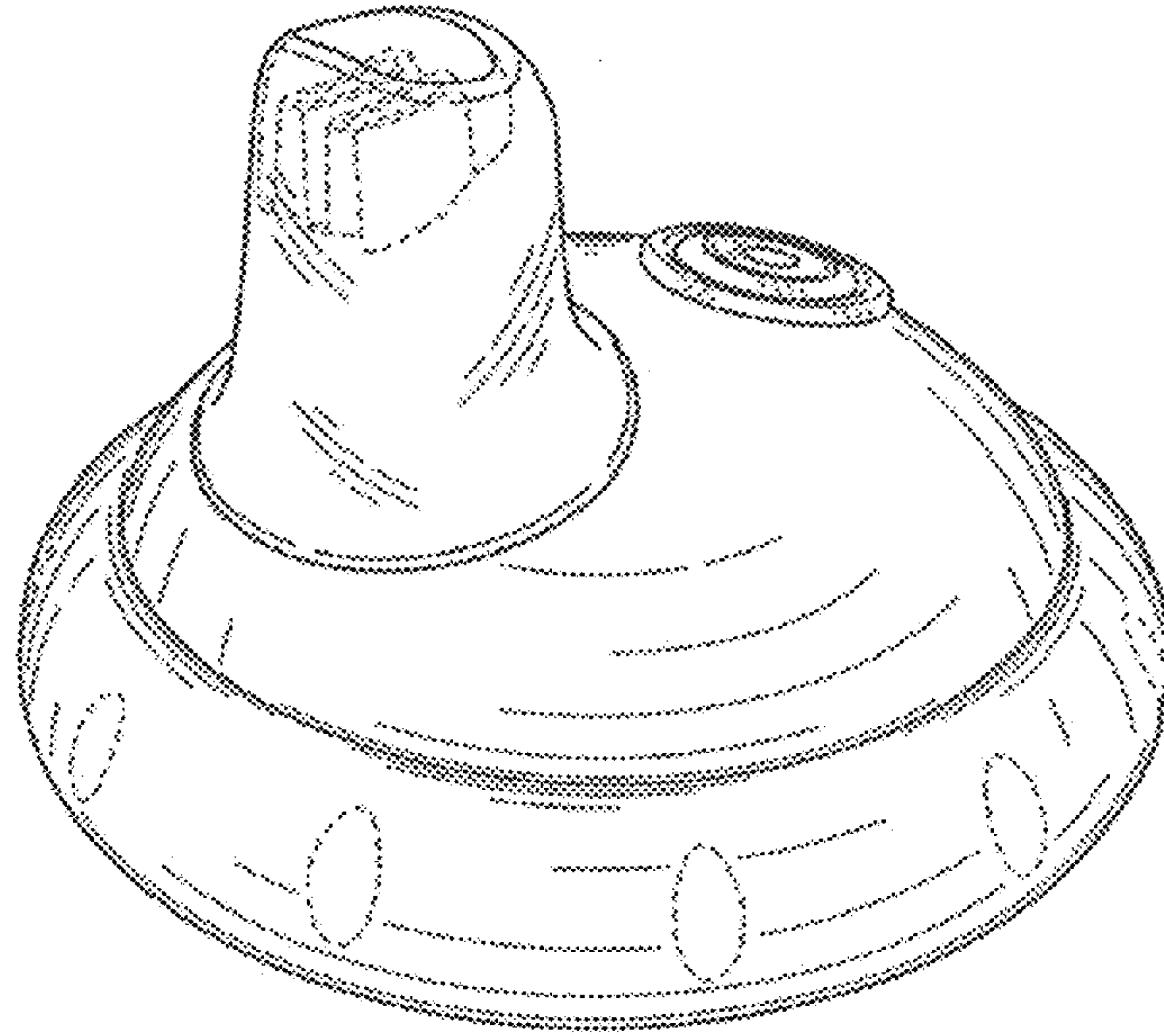


FIG. 1

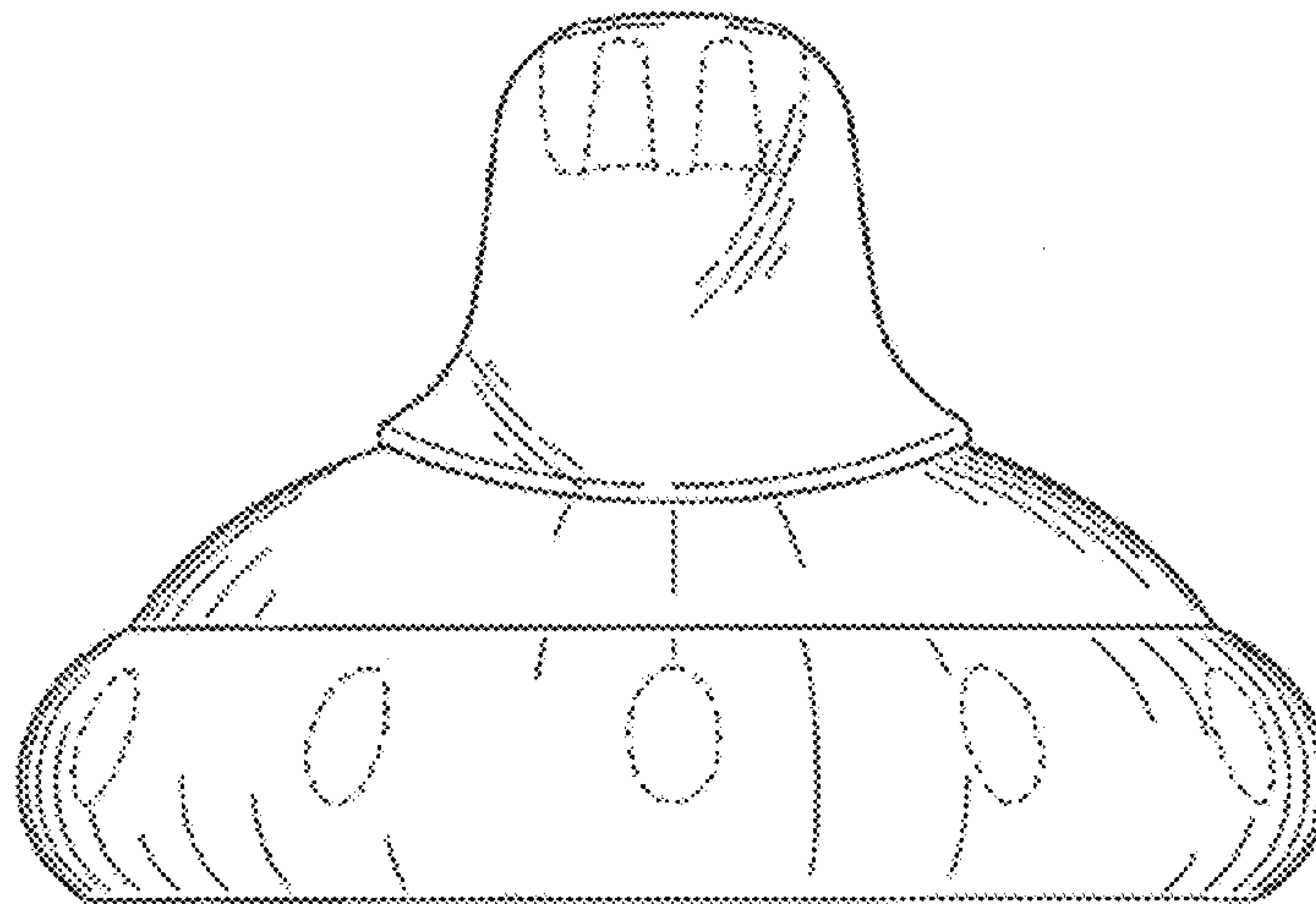


FIG. 2

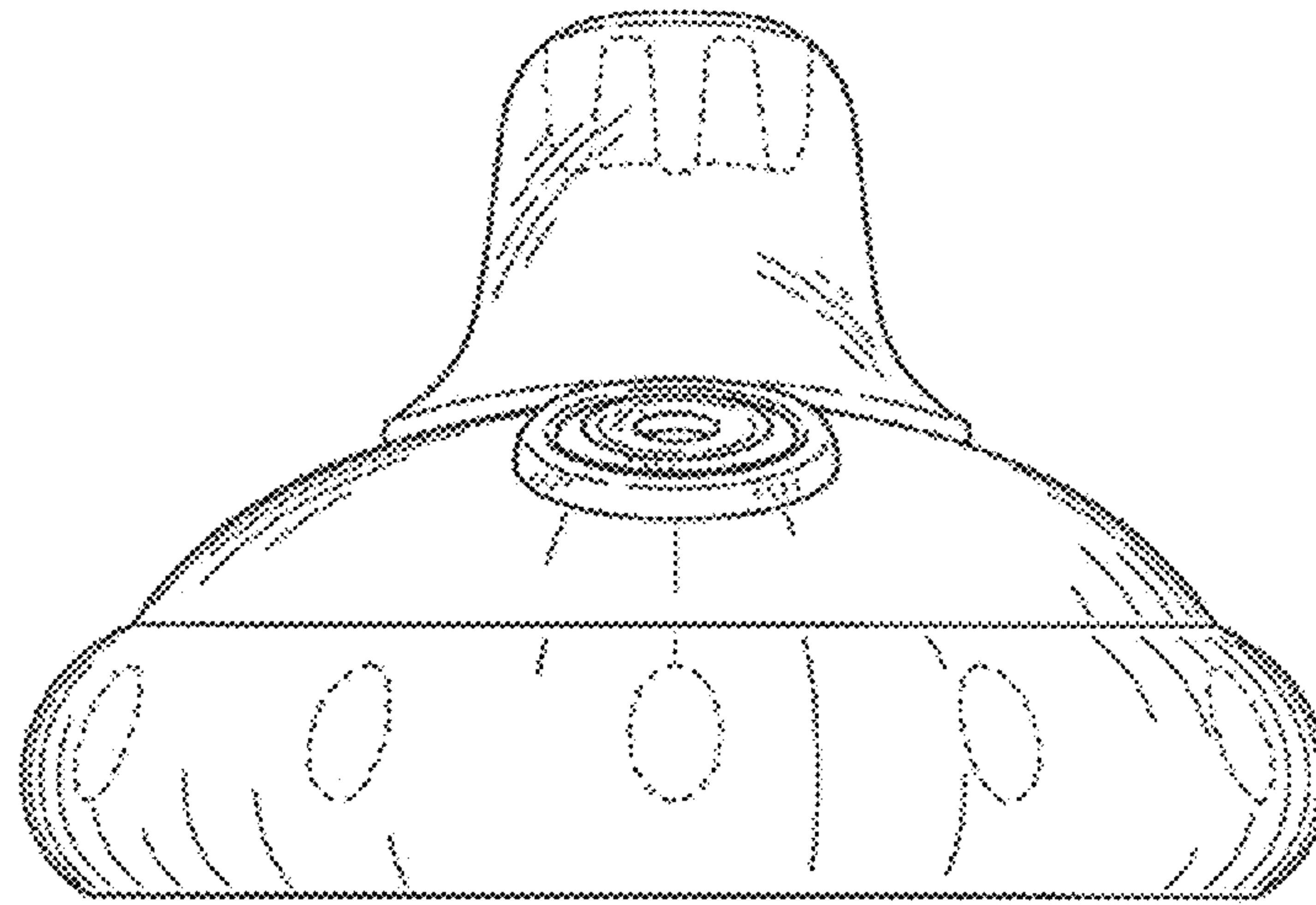


FIG. 3

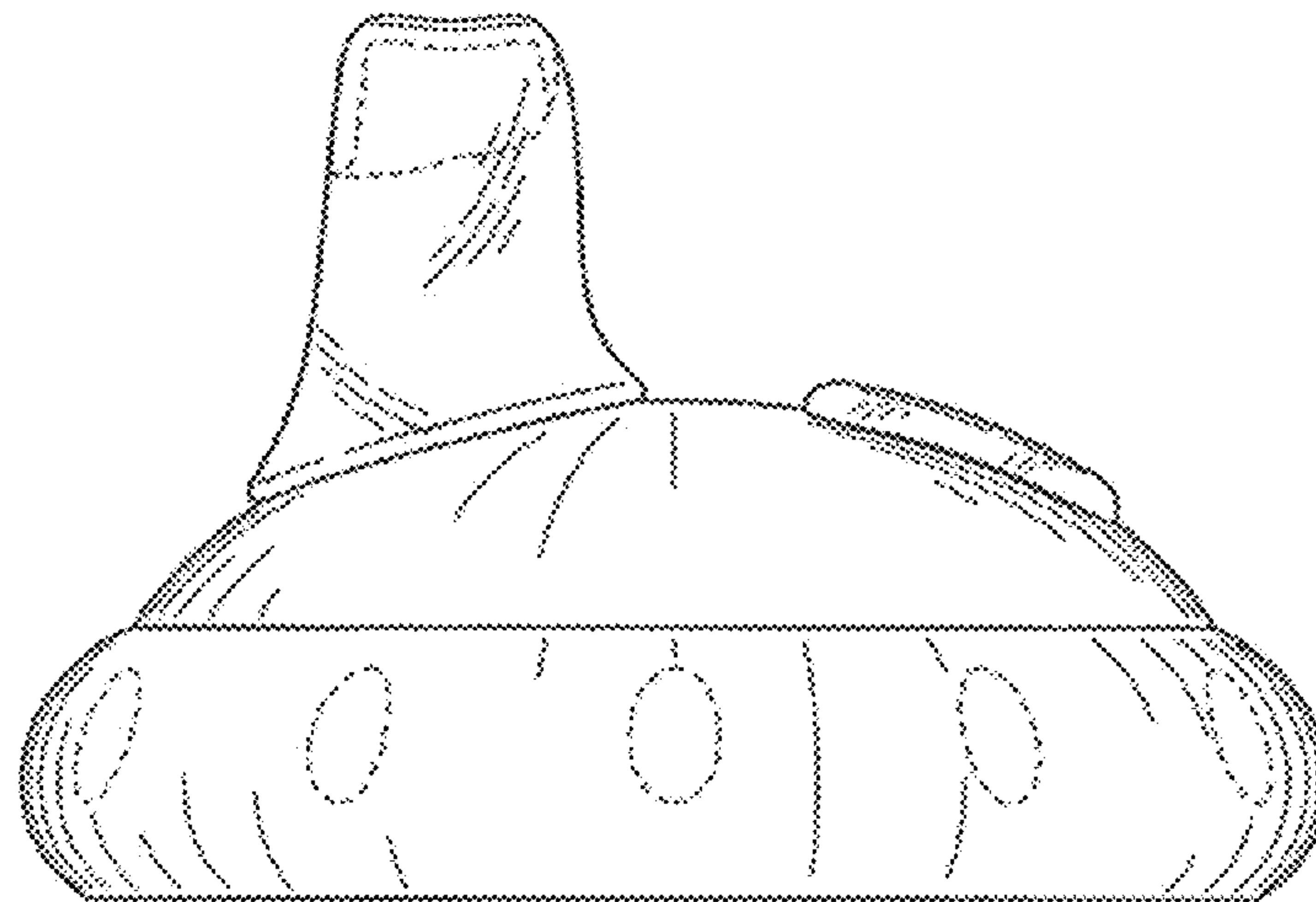


FIG. 4

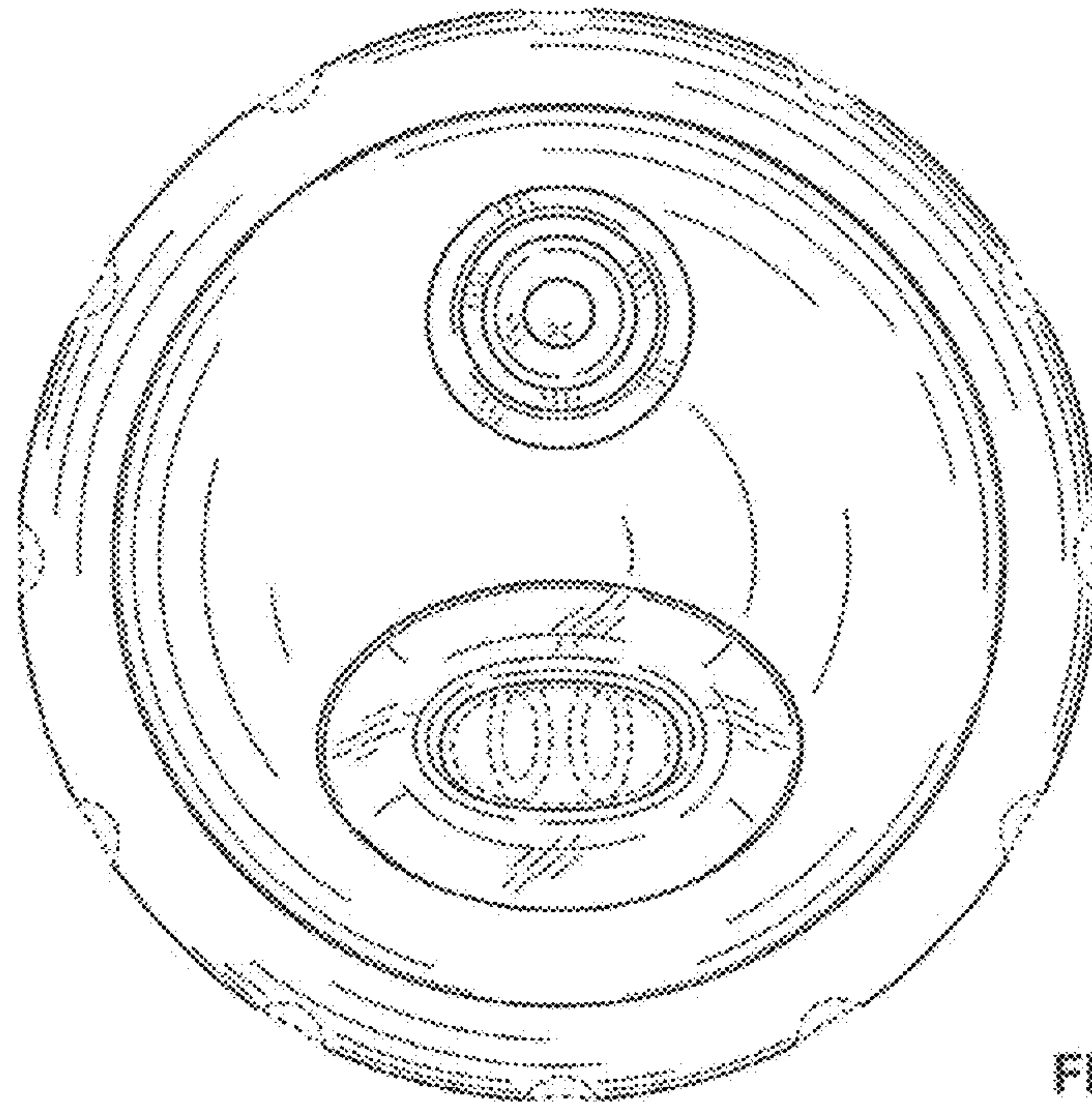


FIG. 5

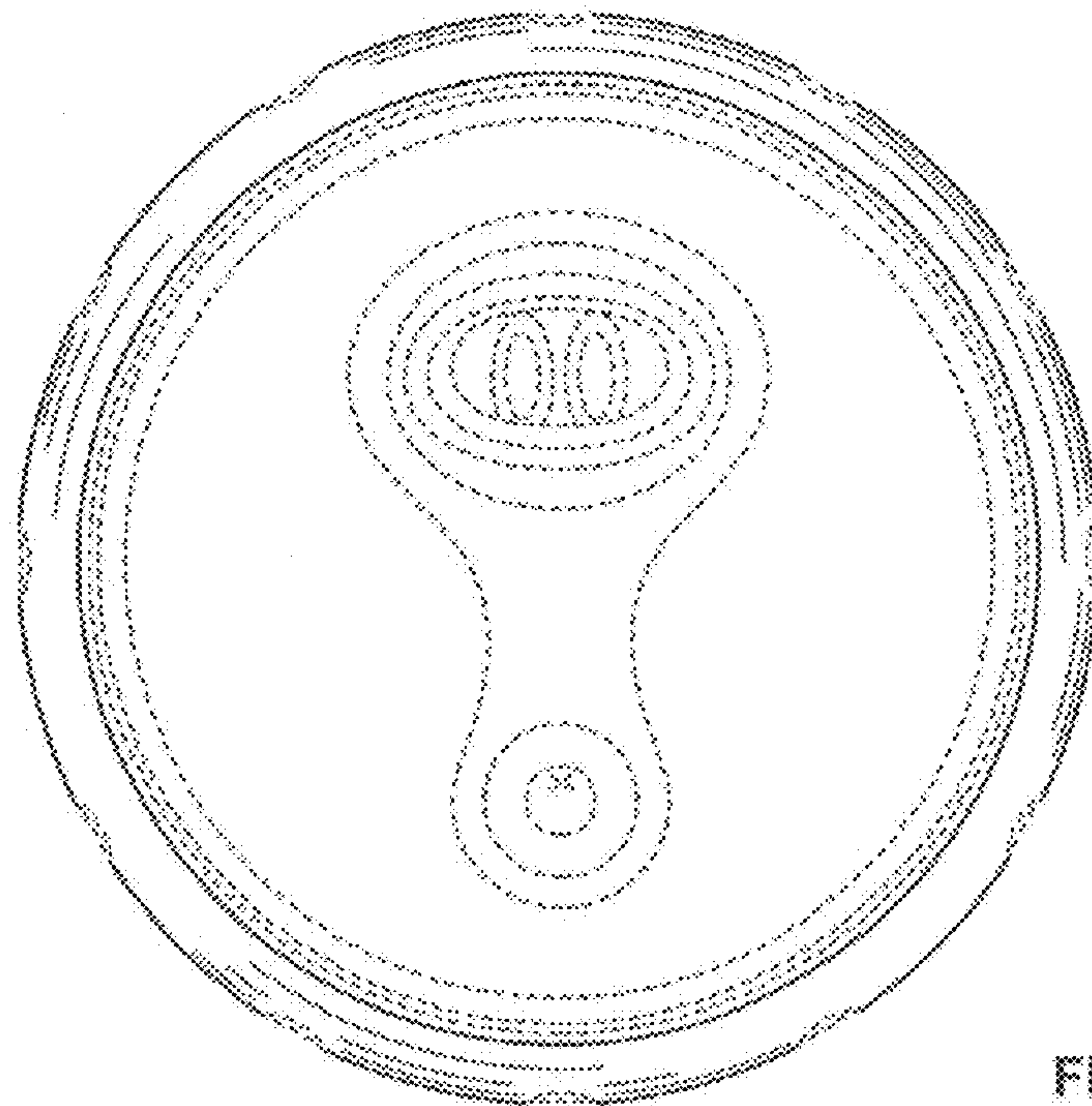


FIG. 6