



US00D747136S

(12) **United States Design Patent**
Lane et al.

(10) **Patent No.:** **US D747,136 S**
(45) **Date of Patent:** **** Jan. 12, 2016**

(54) **LID**
(71) Applicants: **Marvin Lane**, Wheeling, IL (US);
Dwayne Boroski, Lake in the Hills, IL (US)
(72) Inventors: **Marvin Lane**, Wheeling, IL (US);
Dwayne Boroski, Lake in the Hills, IL (US)
(73) Assignee: **THERMOS L.L.C.**, Schaumburg, IL (US)
(**) Term: **14 Years**
(21) Appl. No.: **29/488,573**
(22) Filed: **Apr. 21, 2014**
(51) **LOC (10) Cl.** **07-01**
(52) **U.S. Cl.**
USPC **D7/396.2**
(58) **Field of Classification Search**
USPC D7/319, 391, 392, 392.1, 393, 396.2,
D7/397, 398, 509, 510, 511; D9/435, 436,
D9/440, 447, 450, 503, 504, 516, 761;
215/41, 224, 329, 386, 387, 388, 392,
215/396; 220/254.8, 700, 703, 705, 710,
220/711, 715; 222/465.1, 475.1
CPC A47G 19/2272
See application file for complete search history.

D649,879 S * 12/2011 Gullickson D9/443
D686,448 S * 7/2013 Boroski D7/392.1
D686,872 S * 7/2013 Lane D7/392.1
D700,014 S * 2/2014 Zeanah D7/510
D719,445 S * 12/2014 Caneer D9/447
D720,184 S * 12/2014 Gilbert D7/300.1
D721,250 S * 1/2015 Chen D7/510
2006/0043091 A1* 3/2006 Pinelli A47G 19/2272
220/254.3
2010/0193462 A1* 8/2010 Roth A47G 19/2288
215/229
2014/0138395 A1* 5/2014 Joy A47G 19/2266
220/715
2015/0173539 A1* 6/2015 Mason A47G 19/2272
220/707

* cited by examiner

Primary Examiner — Robert M Spear
Assistant Examiner — Kendra L Hamilton
(74) *Attorney, Agent, or Firm* — Polsinelli PC

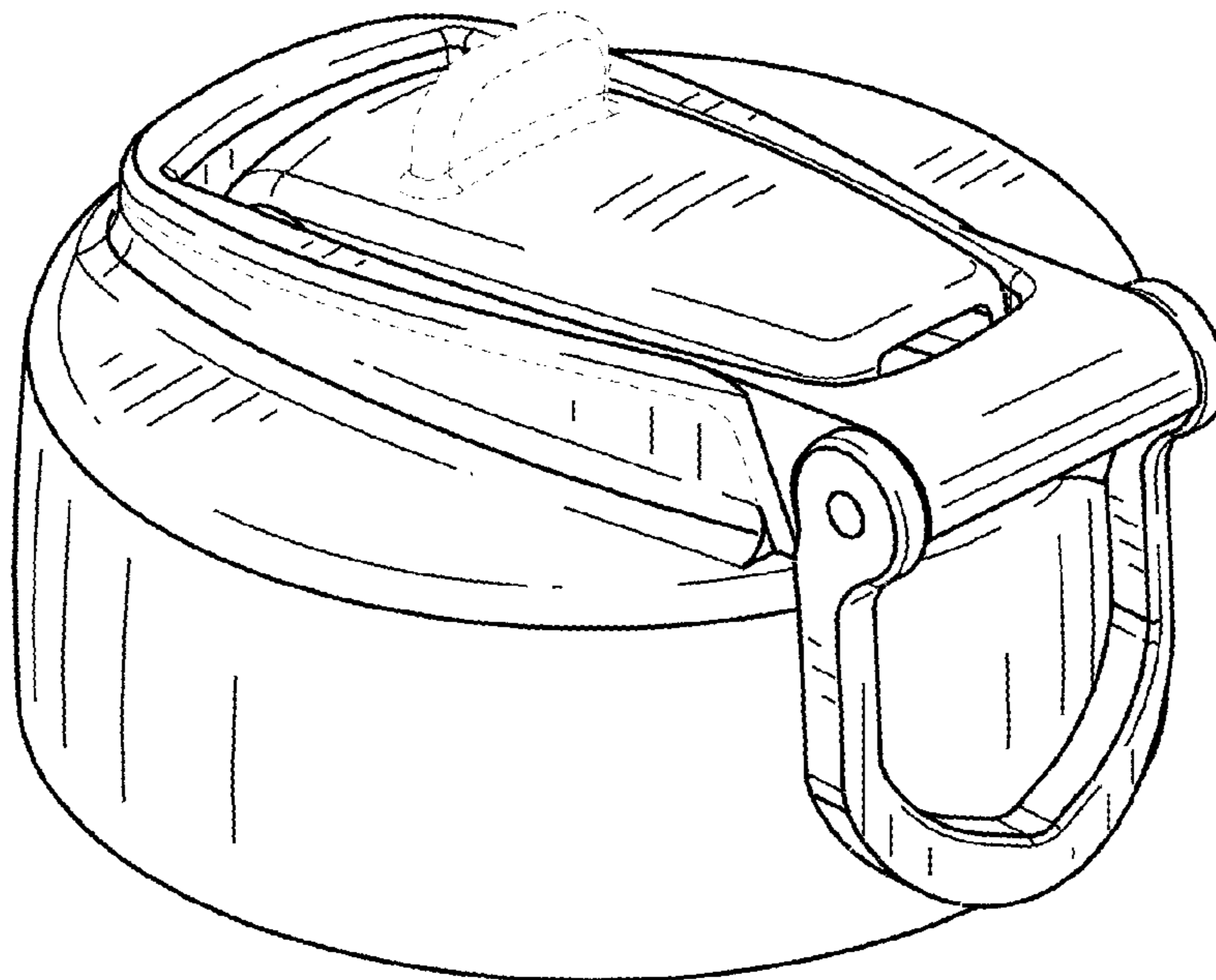
(57) **CLAIM**
The ornamental design for a lid, as shown and described.

DESCRIPTION

FIG. 1 is a perspective view of the lid;
FIG. 2 is a right side view of the lid;
FIG. 3 is a back view of the lid;
FIG. 4 is a left side view of the lid;
FIG. 5 is a front view of the lid;
FIG. 6 is a top view of the lid; and,
FIG. 7 is a bottom view of the lid.
The broken lines showing in the figures are included for the purpose of illustrating portions of the lid that form no part of the claimed design.

1 Claim, 4 Drawing Sheets

(56) **References Cited**
U.S. PATENT DOCUMENTS
7,059,490 B2 * 6/2006 Son B65D 25/465
220/254.3
D547,607 S * 7/2007 Forsman D7/396.2



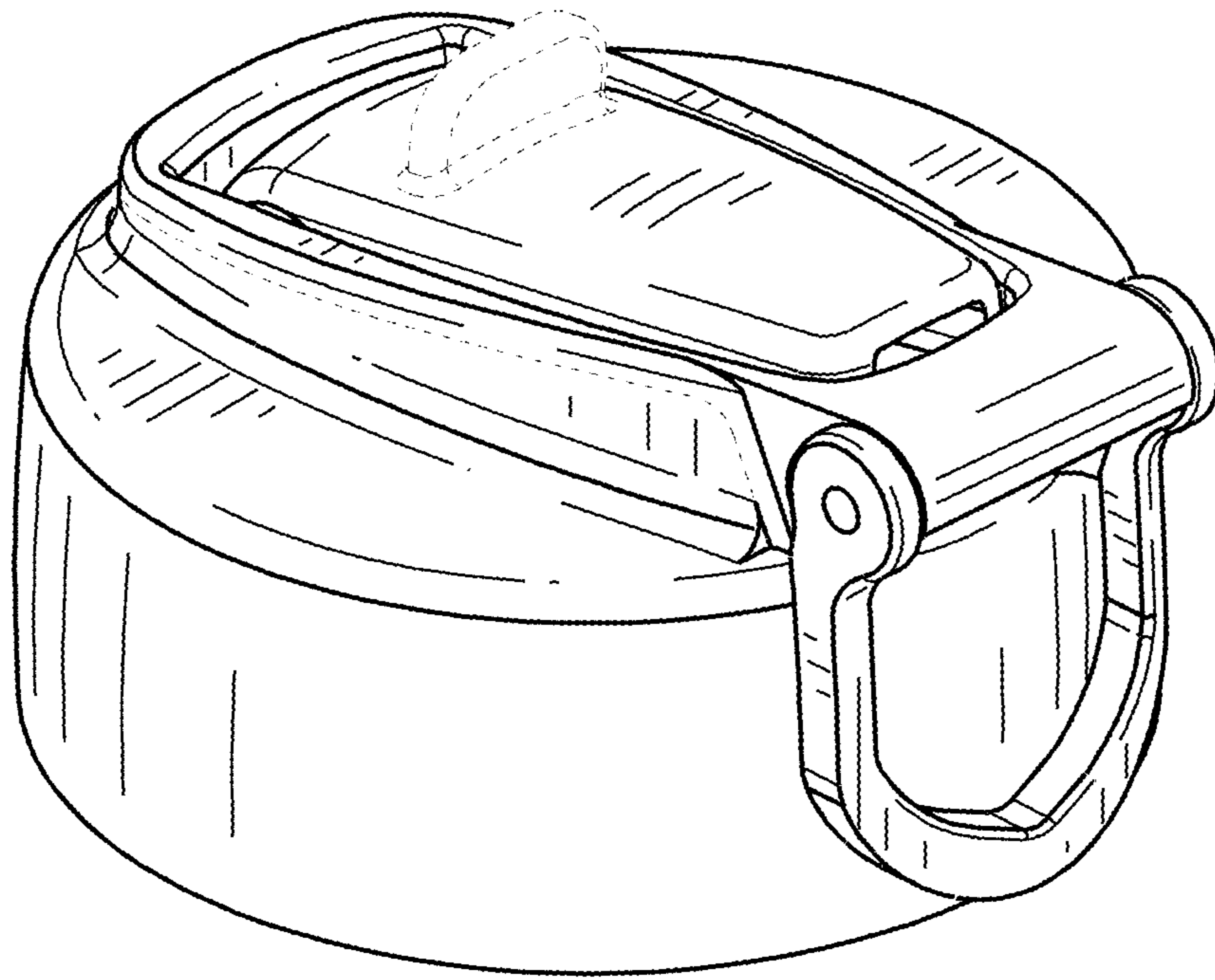


FIG. 1

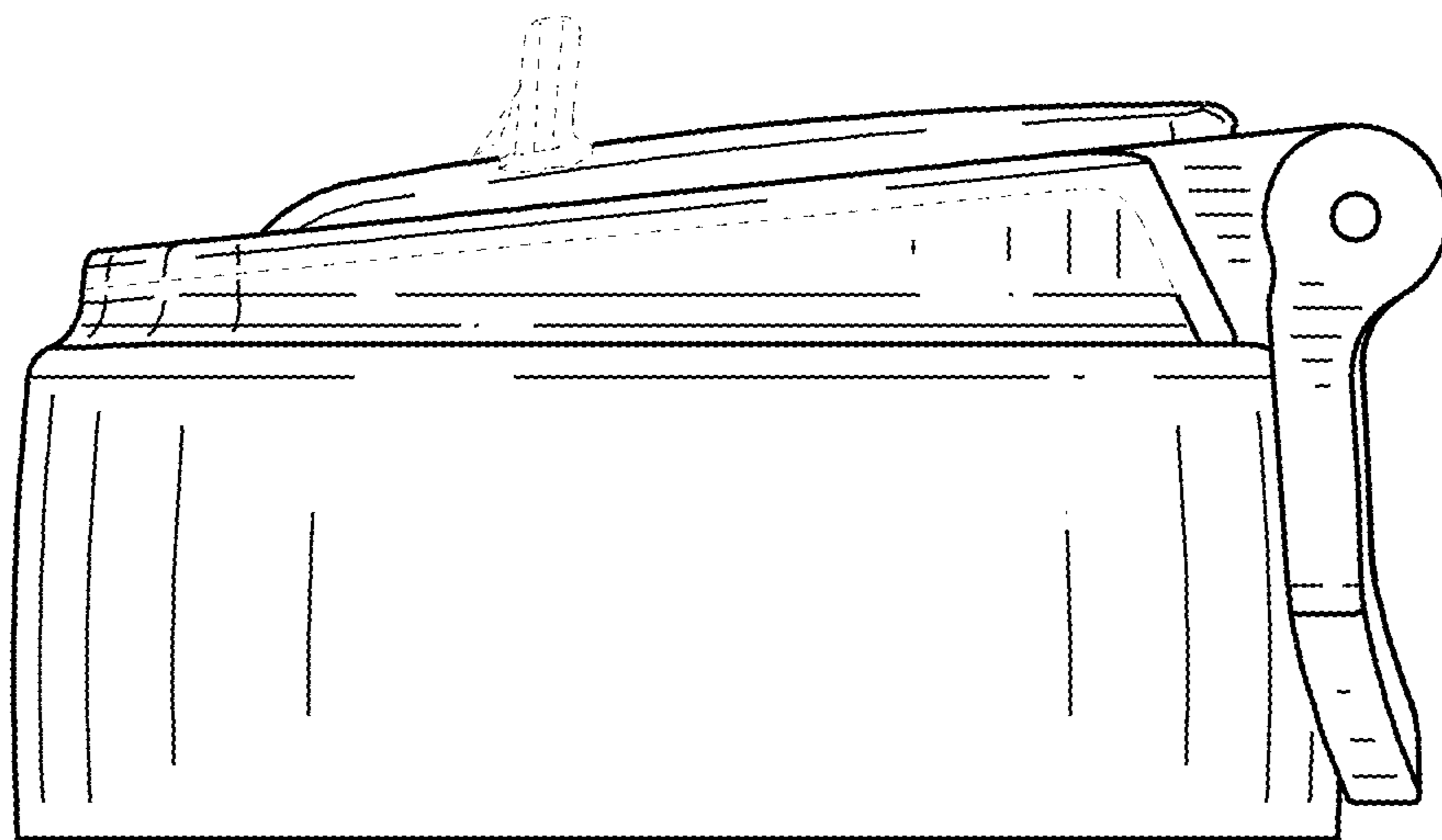


FIG. 2

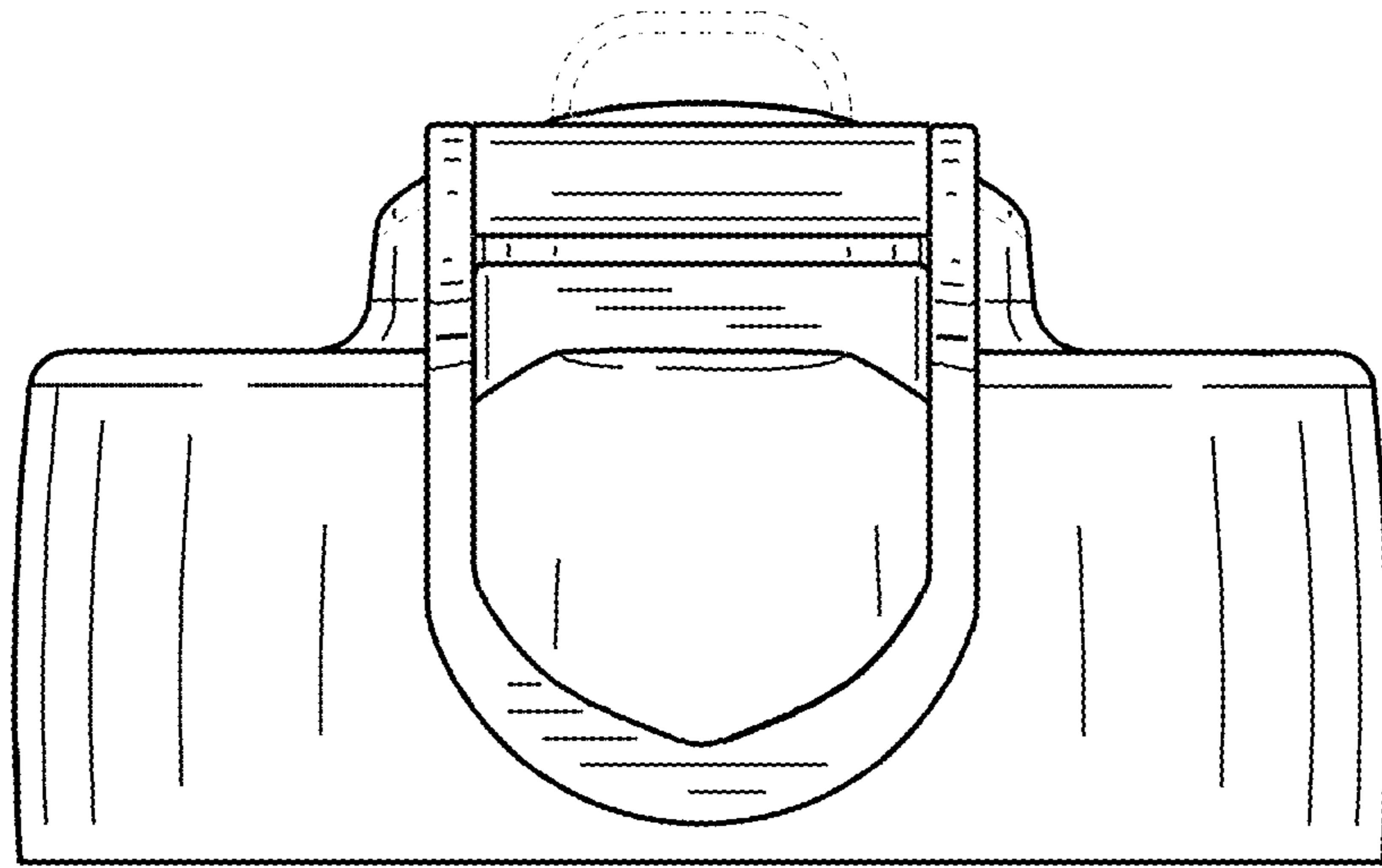


FIG. 3

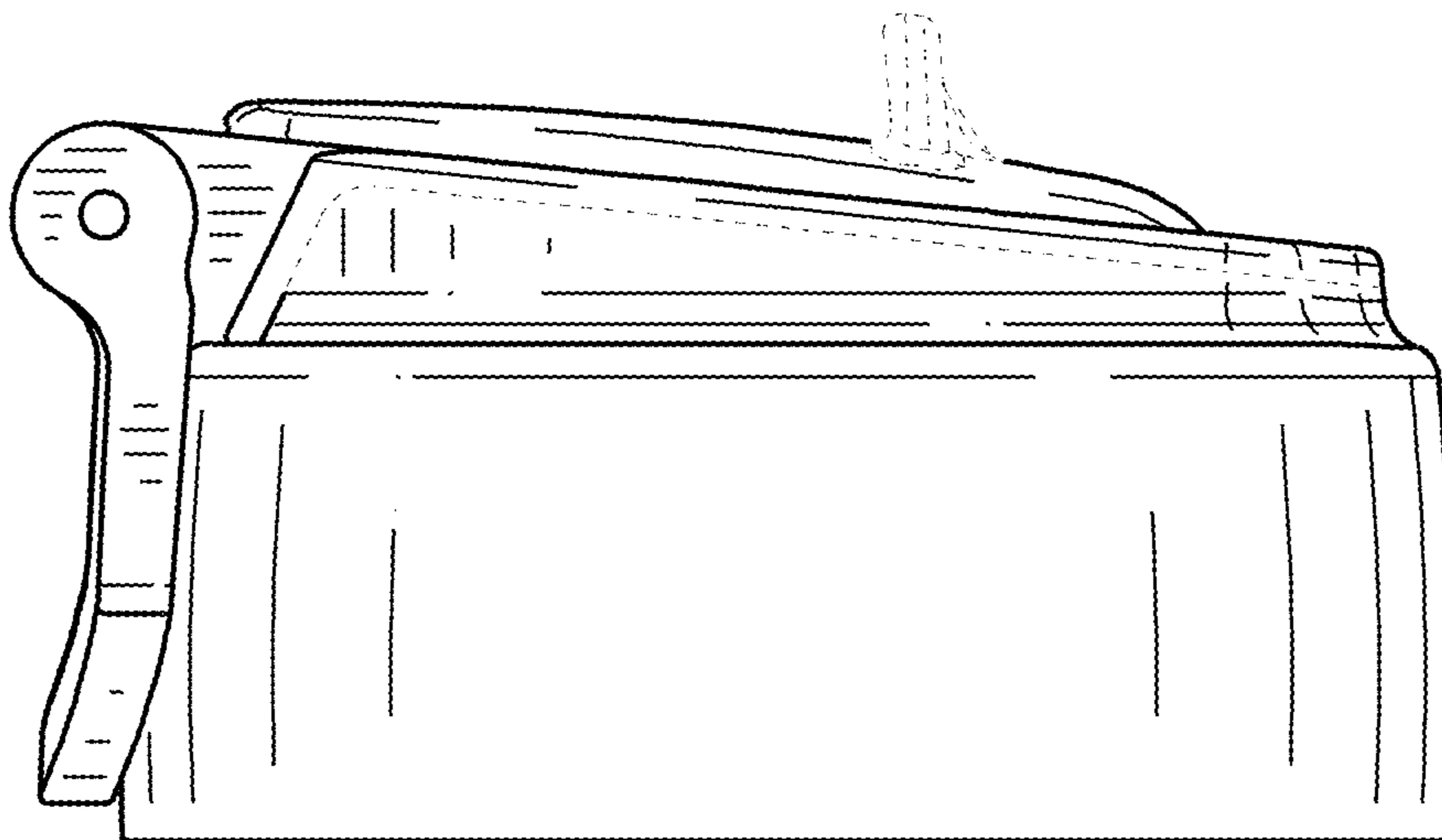


FIG. 4

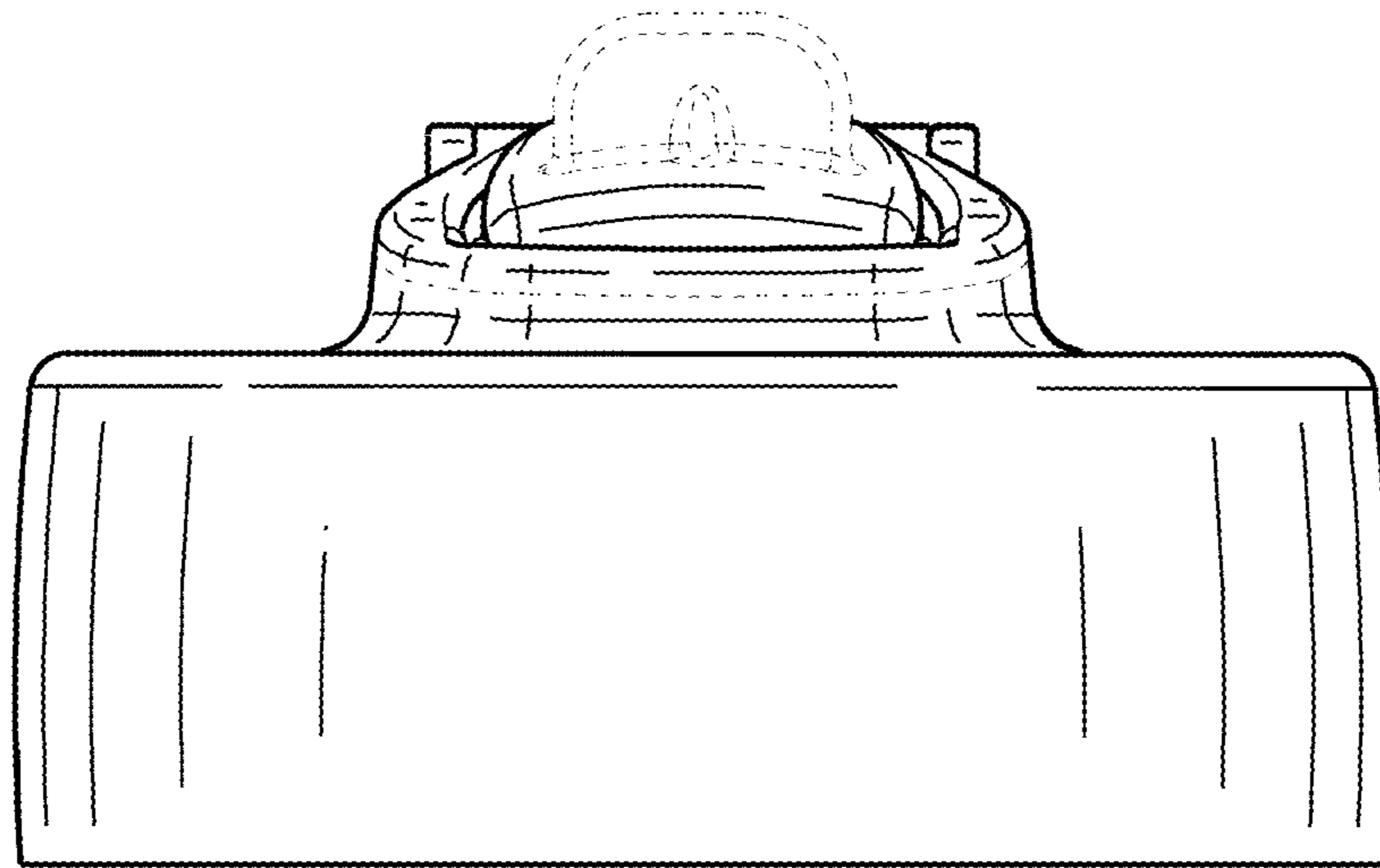


FIG. 5

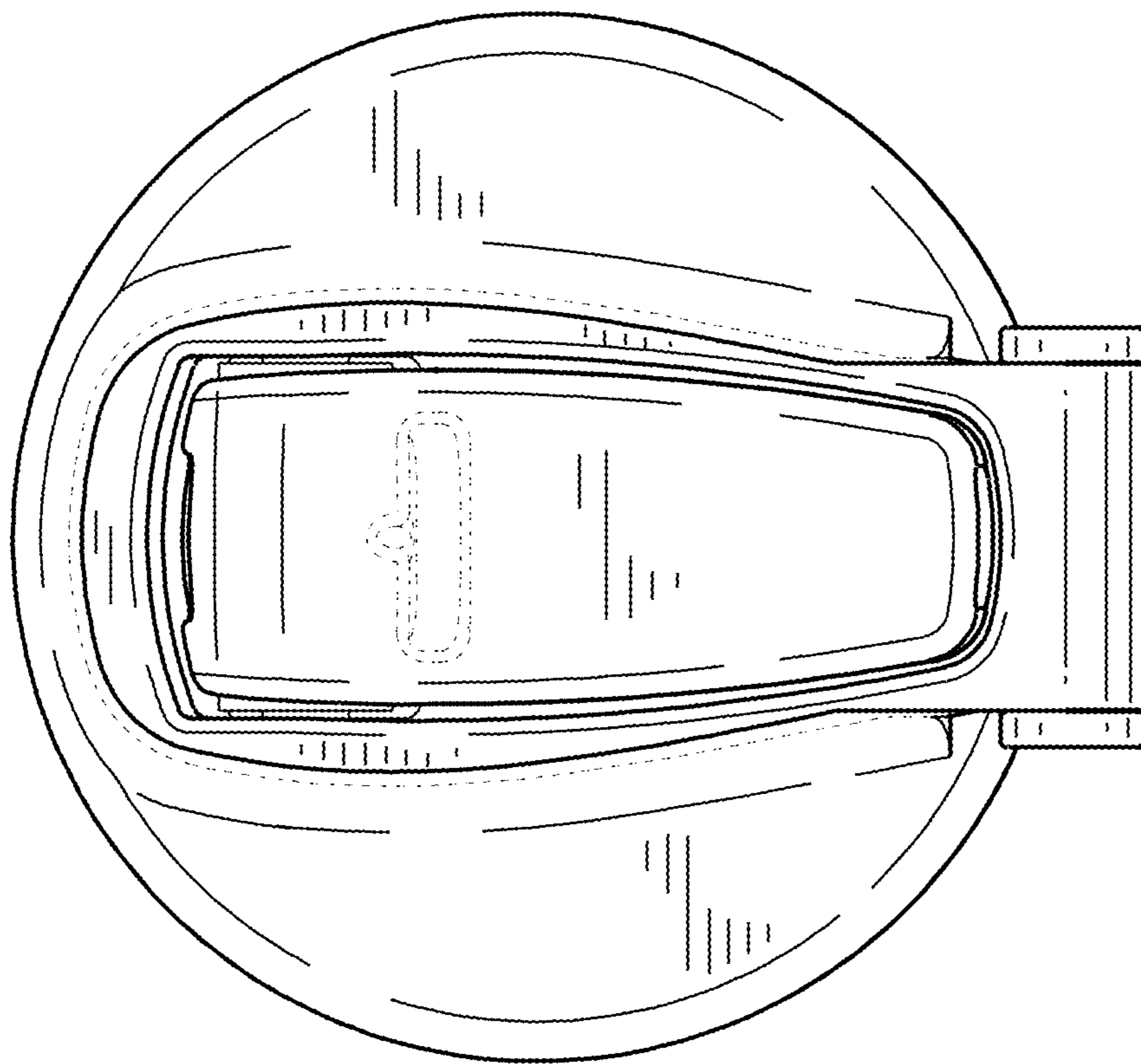


FIG. 6

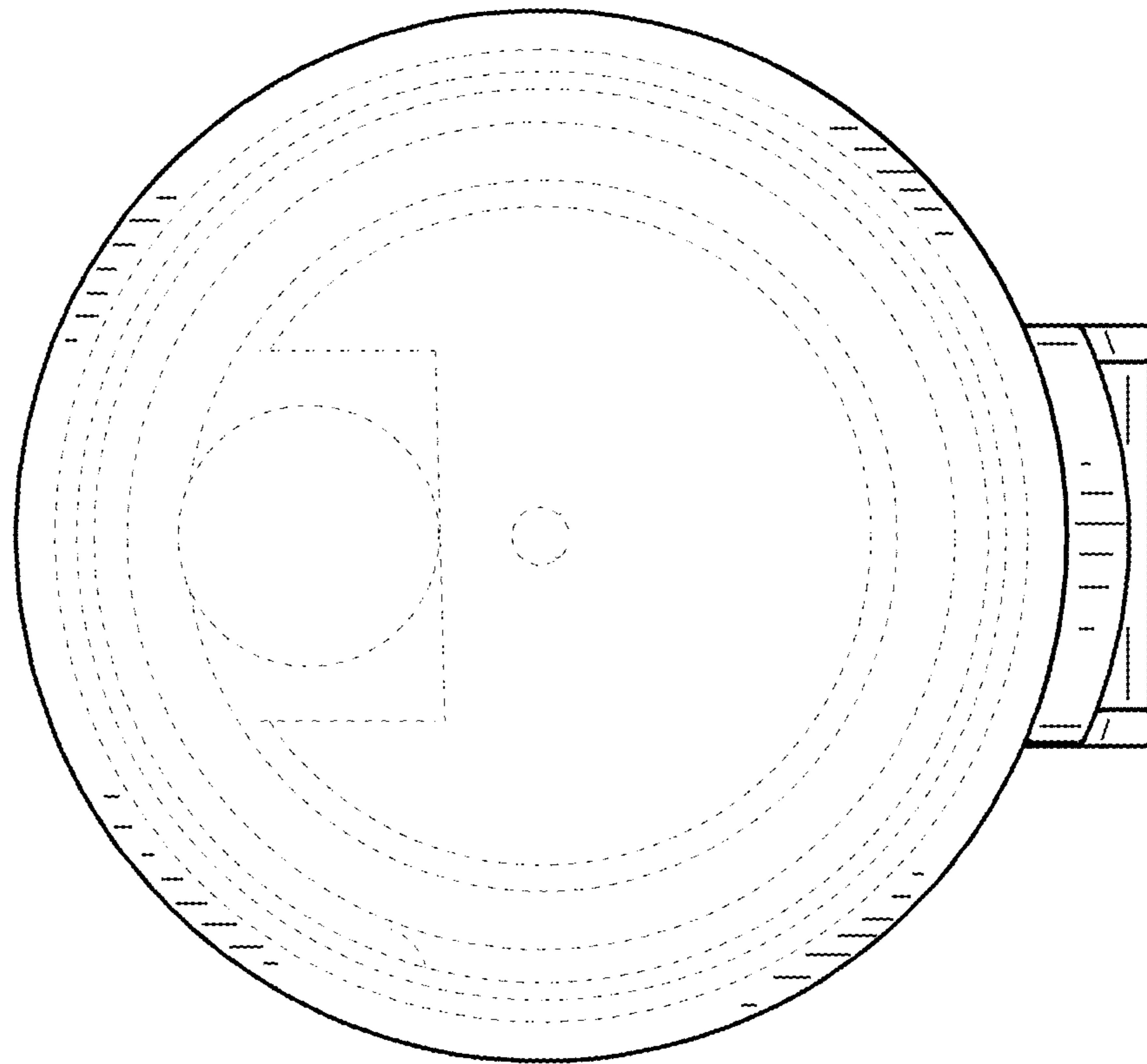


FIG. 7