



US00D747135S

(12) **United States Design Patent**
Ha

(10) **Patent No.:** **US D747,135 S**
(45) **Date of Patent:** **** Jan. 12, 2016**

(54) **BLENDER**

(71) Applicant: **Weh gu Ha**, Seoul (KR)

(72) Inventor: **Weh gu Ha**, Seoul (KR)

(**) Term: **14 Years**

(21) Appl. No.: **29/496,581**

(22) Filed: **Jul. 15, 2014**

(51) **LOC (10) Cl.** **31-00**

(52) **U.S. Cl.**

USPC **D7/378**; D7/376; D7/384

(58) **Field of Classification Search**

USPC D7/372, 376-386, 412-413, 602, 629,
D7/665-666, 669, 679, 693-694

CPC A21C 1/02; A21C 1/04; A23N 1/00;
A23N 1/02; A47J 43/04; A47J 43/25; A47J
43/27; A47J 43/042; A47J 43/044; A47J
43/046; A47J 43/075; A47J 43/0722; A47J
43/0727; B01F 3/00; B01F 3/0807; B01F
3/0853; B01F 13/0059; B01F 13/0064;
B02C 1/08; B02C 2/04; B02C 4/42; B02C
4/142; B02C 4/143; B02C 4/423; B02C
13/1835; B28C 5/10; B28C 5/12; B28C 5/14;
B28C 5/16

See application file for complete search history.

(56) **References Cited**

U.S. PATENT DOCUMENTS

D176,257 S * 12/1955 Hill et al. D7/378

D181,541 S * 11/1957 Madl D7/378
D444,344 S * 7/2001 Barthelemy D7/378
D484,357 S * 12/2003 Seum D7/378
D502,358 S * 3/2005 Weaden D7/378
D553,425 S * 10/2007 Steiner D7/378
D578,340 S * 10/2008 Picozza D7/378
D597,372 S * 8/2009 Nordwall D7/378
D616,244 S * 5/2010 Thai D7/378
D642,858 S * 8/2011 Lazzer D7/376
D711,682 S * 8/2014 Norland D7/376
D728,303 S * 5/2015 Vu D7/376
D731,234 S * 6/2015 Weaden D7/376

* cited by examiner

Primary Examiner — Ricky Pham

(74) *Attorney, Agent, or Firm* — Rabin & Berdo, P.C.

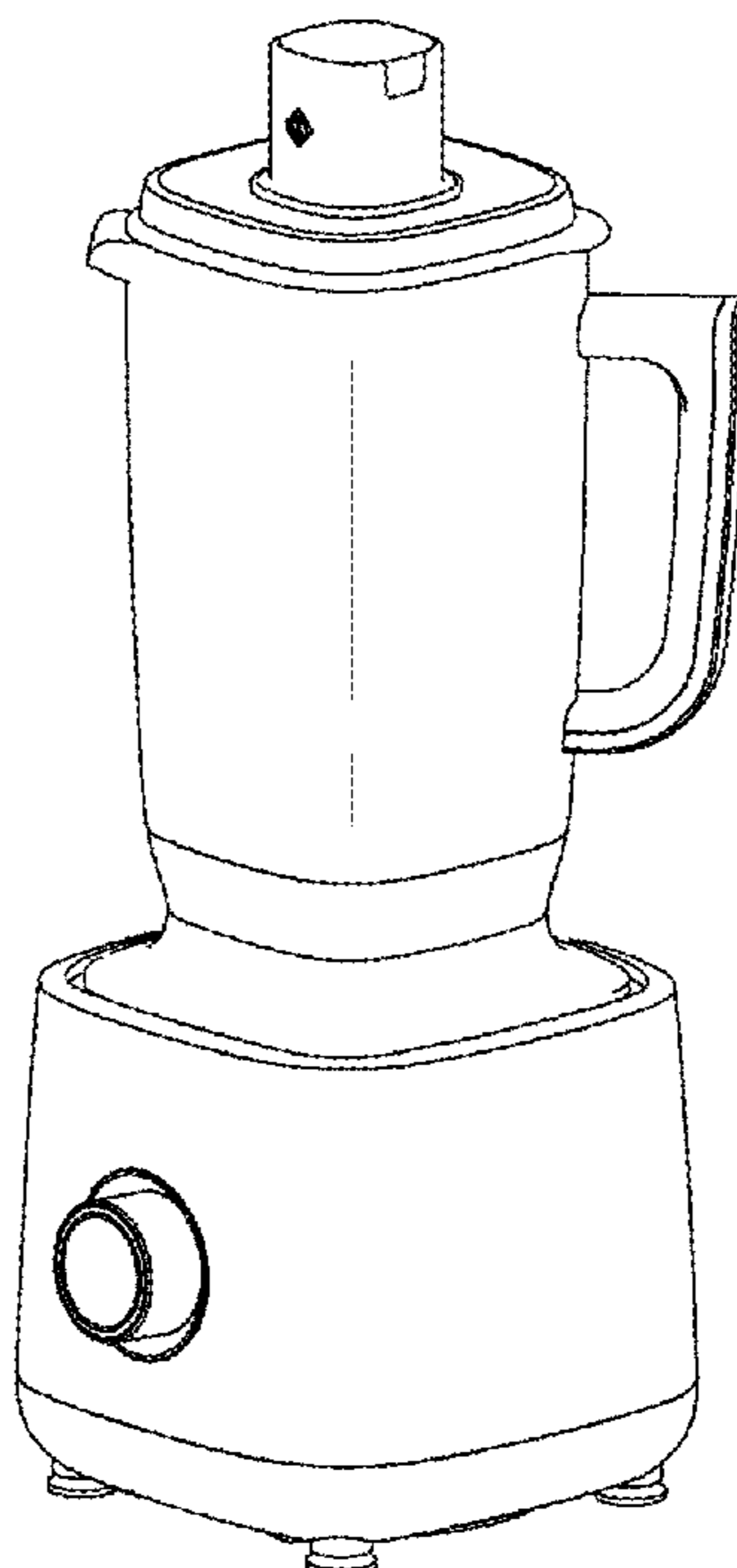
(57) **CLAIM**

The ornamental design for a blender, as shown and described.

DESCRIPTION

FIG. 1 is a perspective view of a blender showing new design;
FIG. 2 is a front elevational view thereof;
FIG. 3. is a rear elevational view thereof;
FIG. 4 is a left side elevational view thereof;
FIG. 5 is a right elevational view thereof;
FIG. 6 is a top view thereof; and,
FIG. 7 is a bottom view thereof.

1 Claim, 6 Drawing Sheets



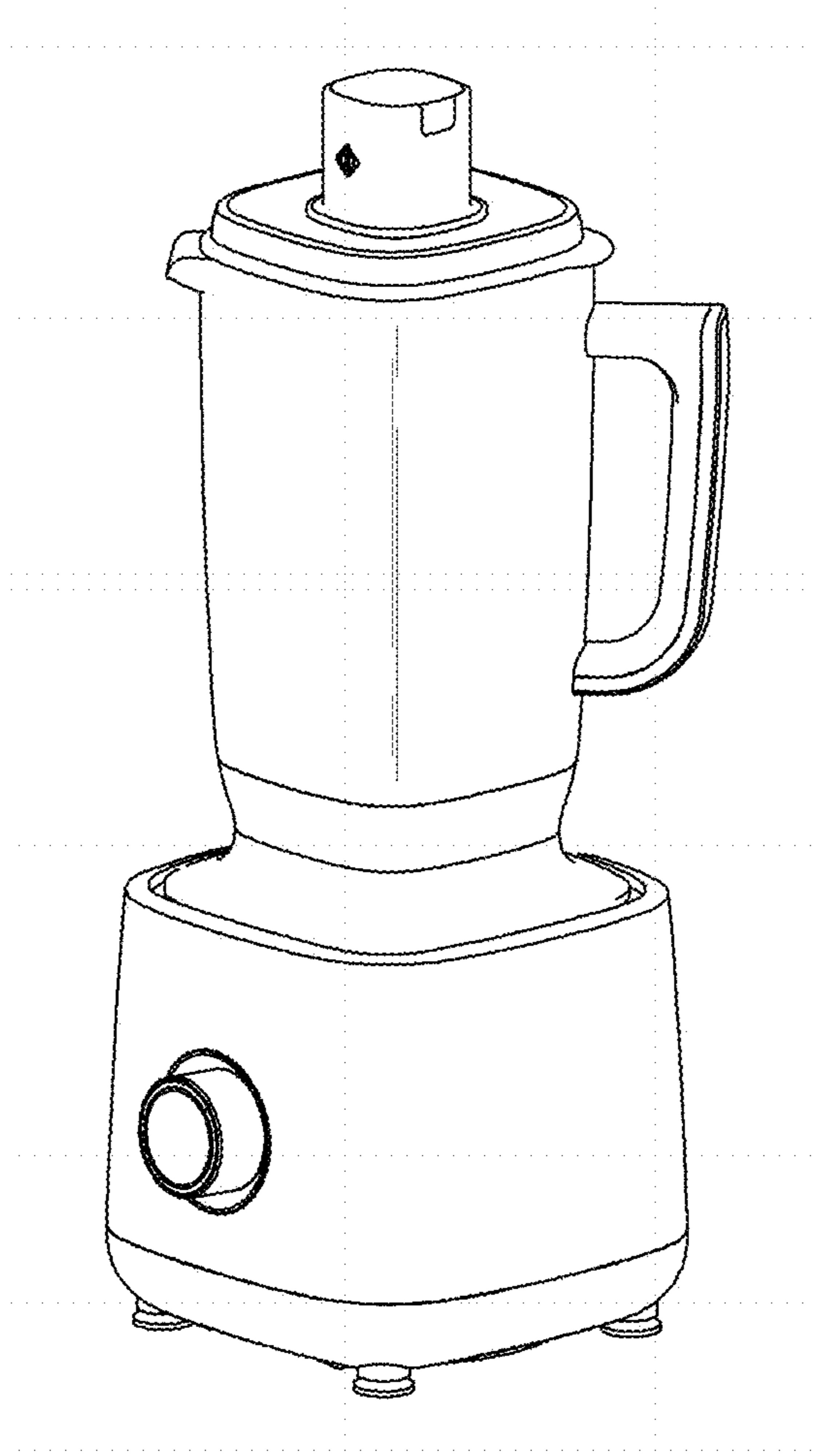


FIG. 1

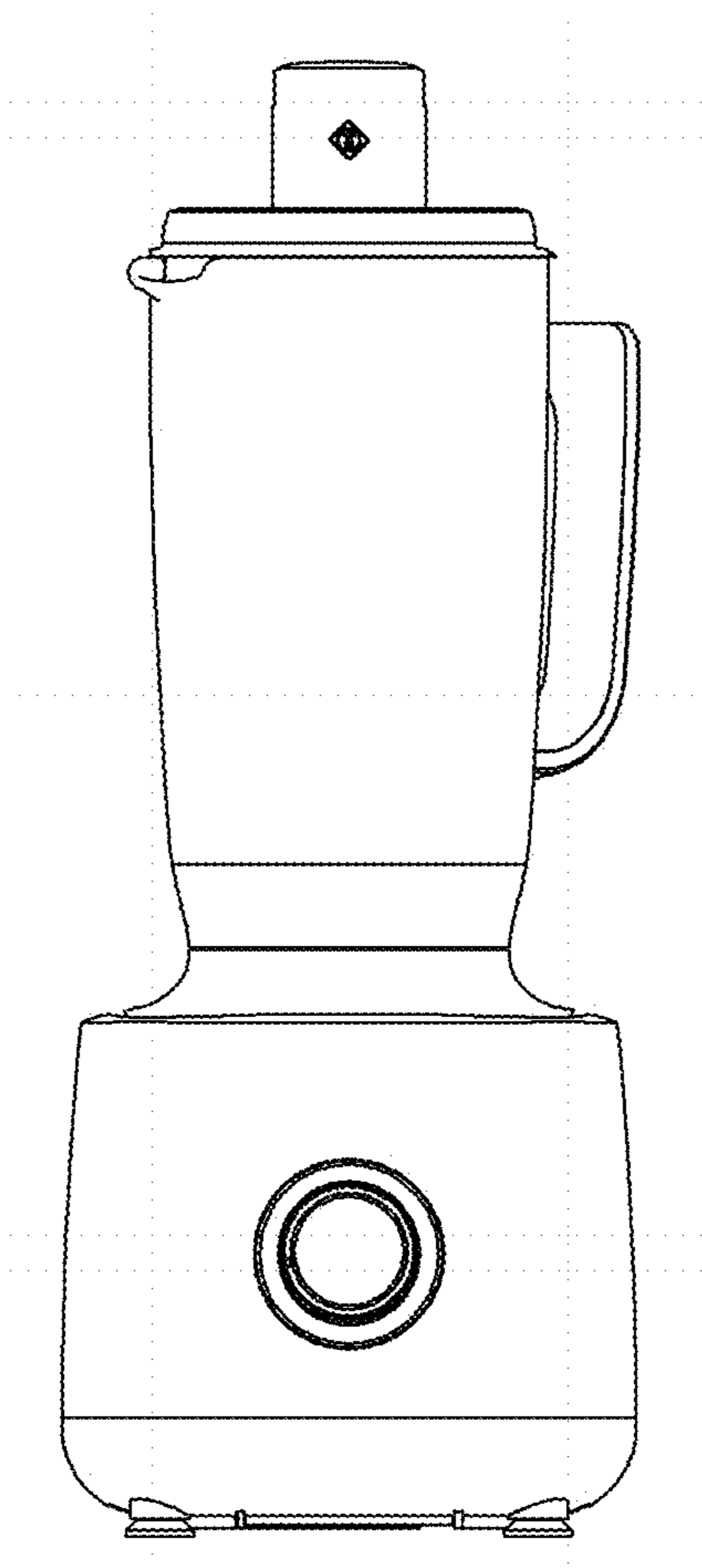


FIG. 2

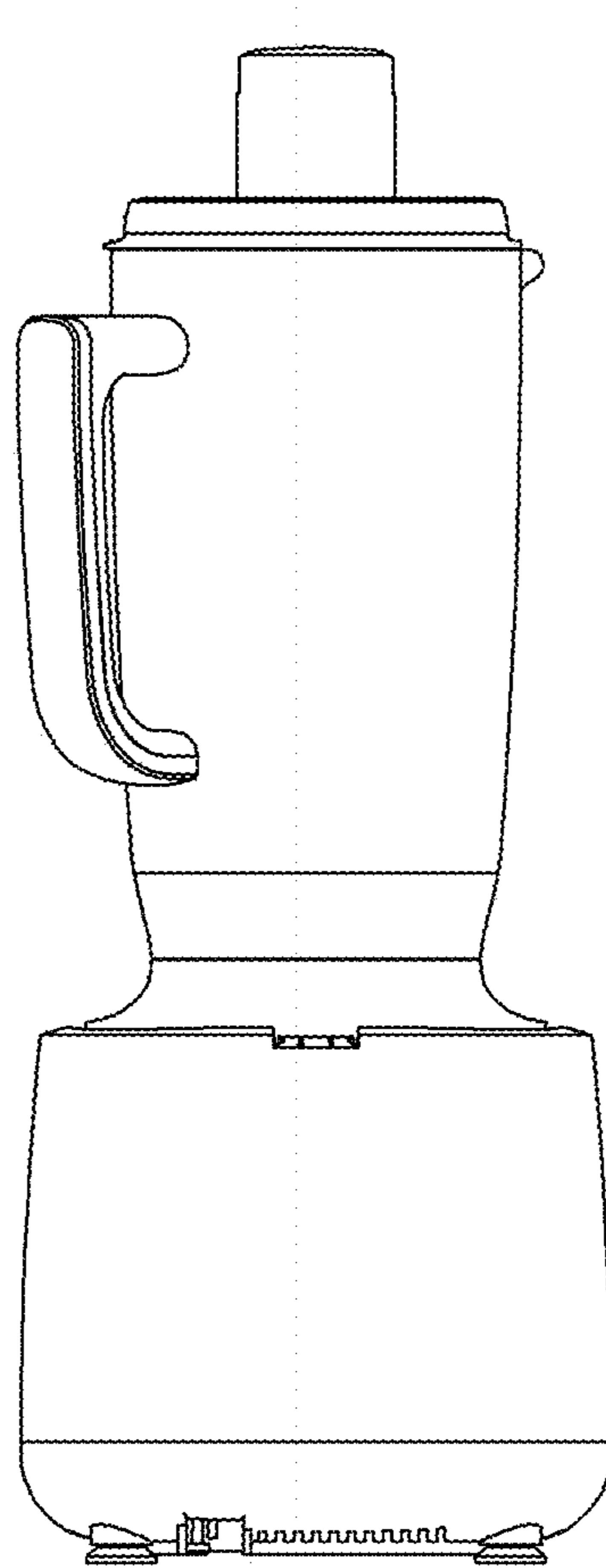


FIG.3

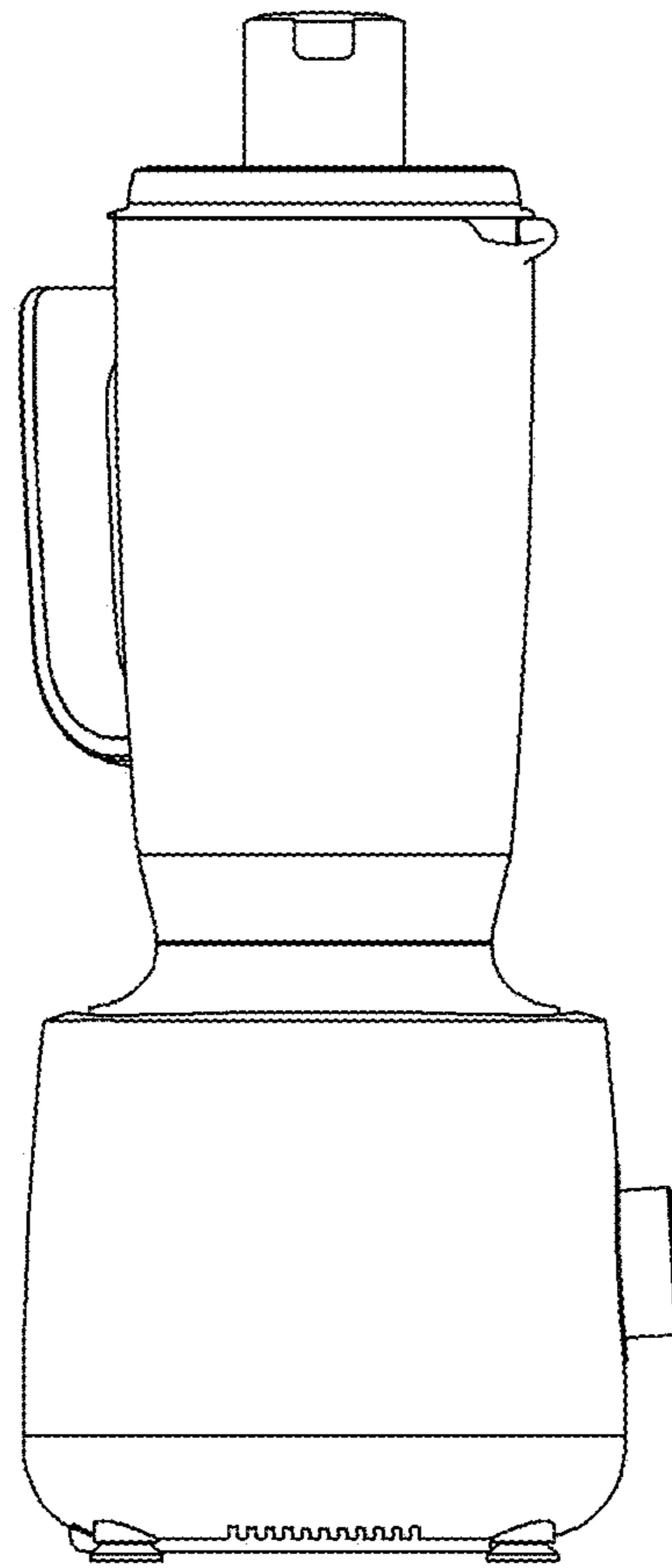


FIG. 4

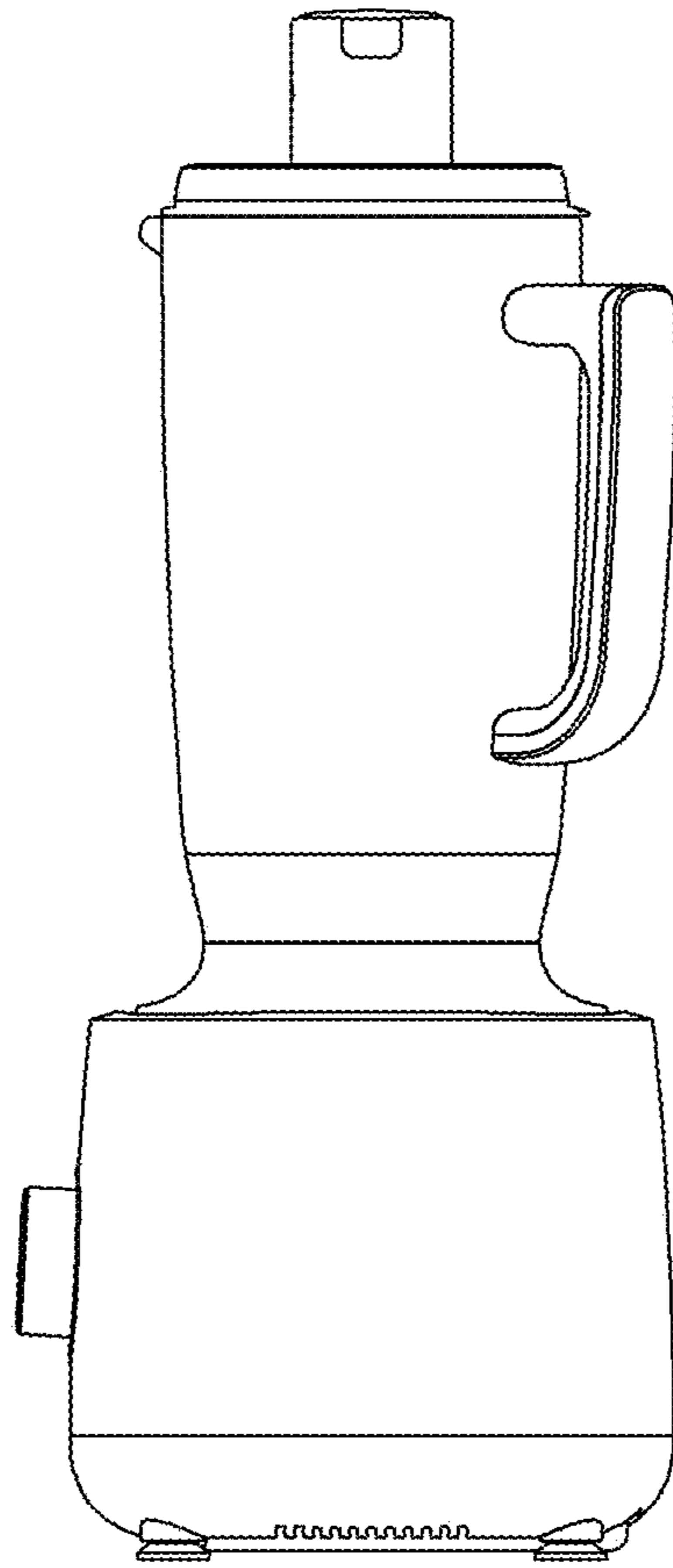


FIG. 5

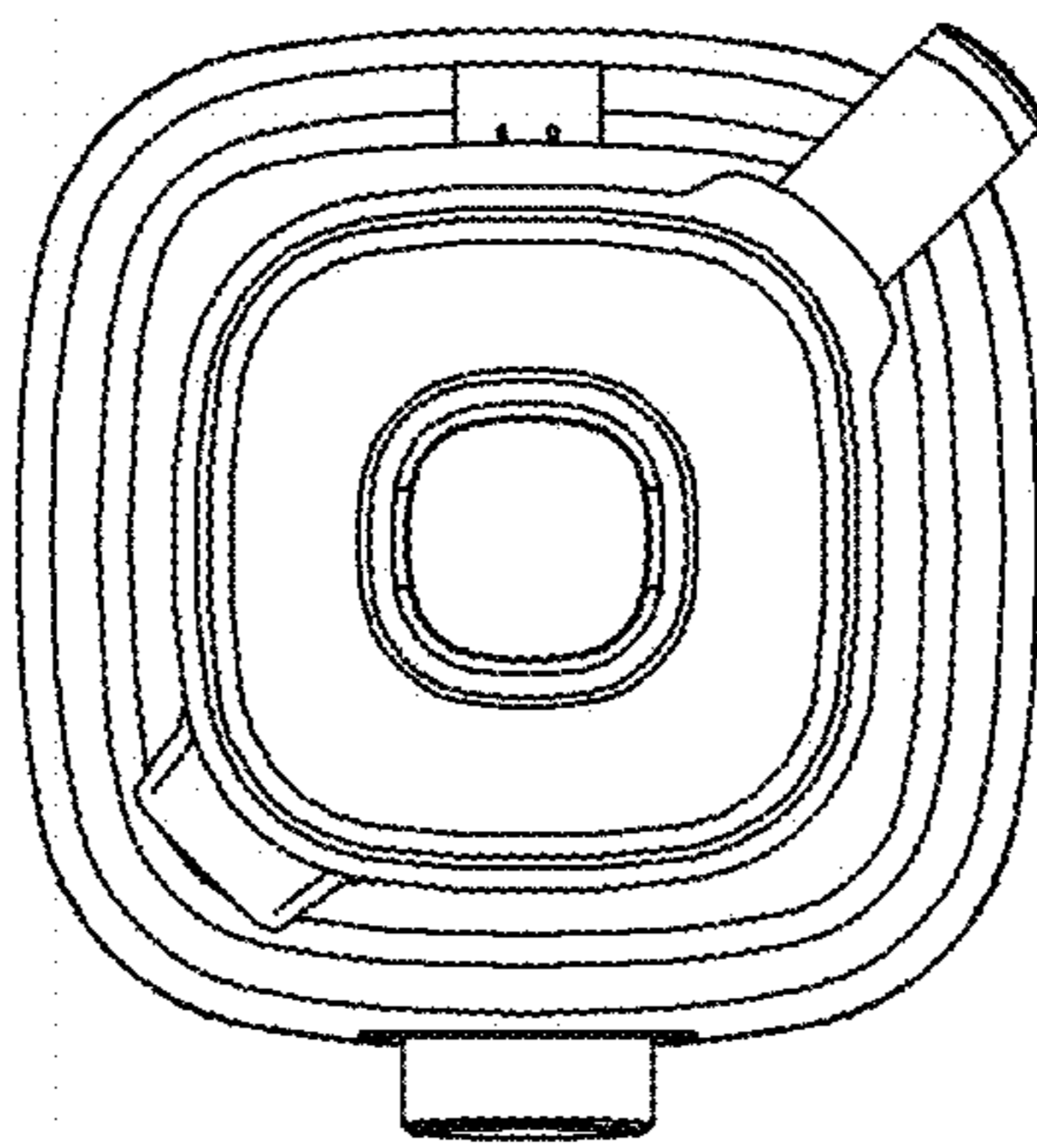


FIG. 6

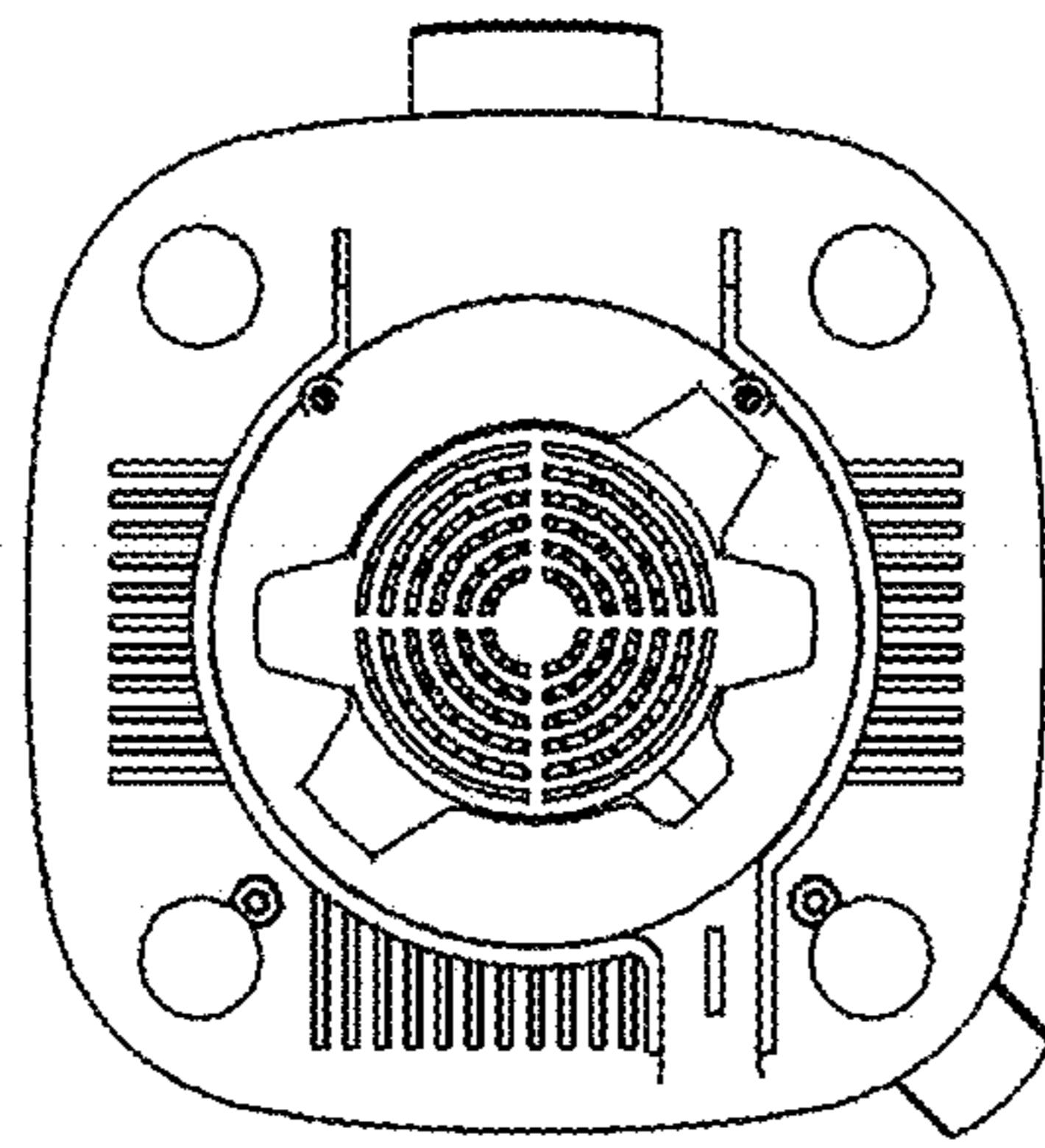


FIG.7