



US00D747134S

(12) **United States Design Patent**  
**Annunziata**

(10) **Patent No.:** **US D747,134 S**

(45) **Date of Patent:** **\*\* Jan. 12, 2016**

(54) **COOKING PAN**

(71) Applicant: **Mark Annunziata**, Spring Grove, IL  
(US)

(72) Inventor: **Mark Annunziata**, Spring Grove, IL  
(US)

(\*\*) Term: **14 Years**

(21) Appl. No.: **29/508,305**

(22) Filed: **Nov. 5, 2014**

(51) **LOC (10) Cl.** ..... **07-02**

(52) **U.S. Cl.**  
USPC ..... **D7/354**

(58) **Field of Classification Search**  
USPC ..... D7/323, 354-361, 402, 543, 545, 549,  
D7/550.1, 553.1-553.8, 554.1-554.4, 555,  
D7/584, 586, 698; D9/430-433, 455-456,  
D9/737, 756-762; D23/308  
CPC ..... A21B 3/00; A21B 3/13; A21B 3/15;  
A21B 3/134; A21B 5/00; A21B 5/02; A47G  
23/06; A47J 36/022; A47J 36/025; A47J  
36/027; A47J 37/00; A47J 37/04; B65D 1/22;  
B65D 1/24; B65D 1/34; B65D 1/36; B65D  
81/343; B65D 85/36  
See application file for complete search history.

(56) **References Cited**

**U.S. PATENT DOCUMENTS**

D173,120 S \* 9/1954 Levenhagen ..... D7/554.3  
2,704,974 A \* 3/1955 Steman ..... A47G 23/06  
206/518

D239,316 S \* 3/1976 Smith ..... D7/554.3  
D418,909 S \* 1/2000 Mockett ..... D23/308  
D461,995 S \* 8/2002 Massaloux ..... D7/545  
D463,224 S \* 9/2002 Cautereels ..... D7/698  
D547,597 S \* 7/2007 Levy ..... D7/354  
D562,090 S \* 2/2008 Goldman ..... D7/698  
D581,205 S \* 11/2008 Simon ..... D7/354  
D594,276 S \* 6/2009 Hamlin ..... D7/402  
D608,582 S \* 1/2010 Millsap ..... D7/354  
D654,300 S \* 2/2012 Bradley ..... D7/354  
D654,301 S \* 2/2012 Bradley ..... D7/354

\* cited by examiner

*Primary Examiner* — Ricky Pham

(74) *Attorney, Agent, or Firm* — Scherrer Patent &  
Trademark Law, P.C.; Stephen T. Scherrer; Monique A.  
Morneault

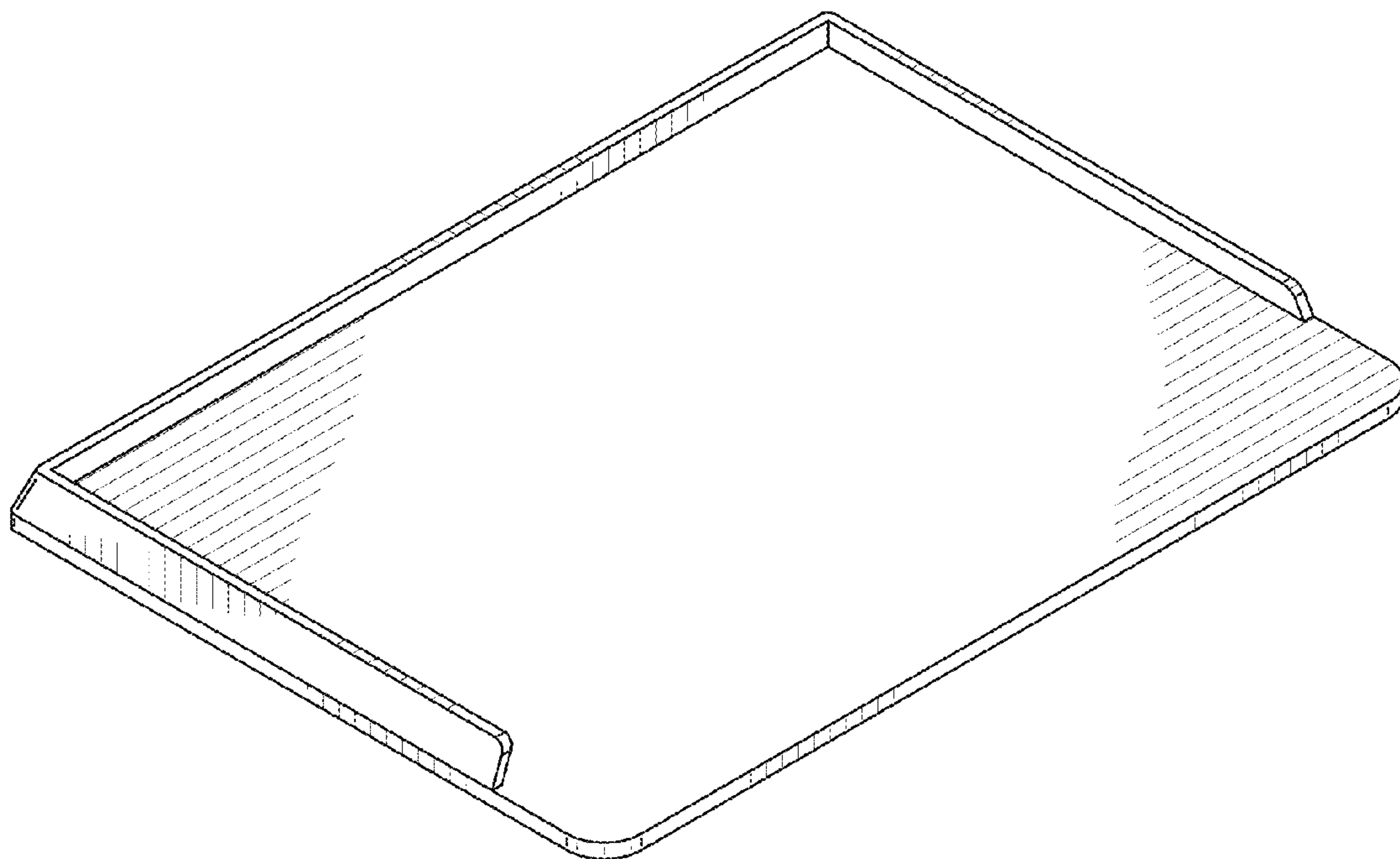
(57) **CLAIM**

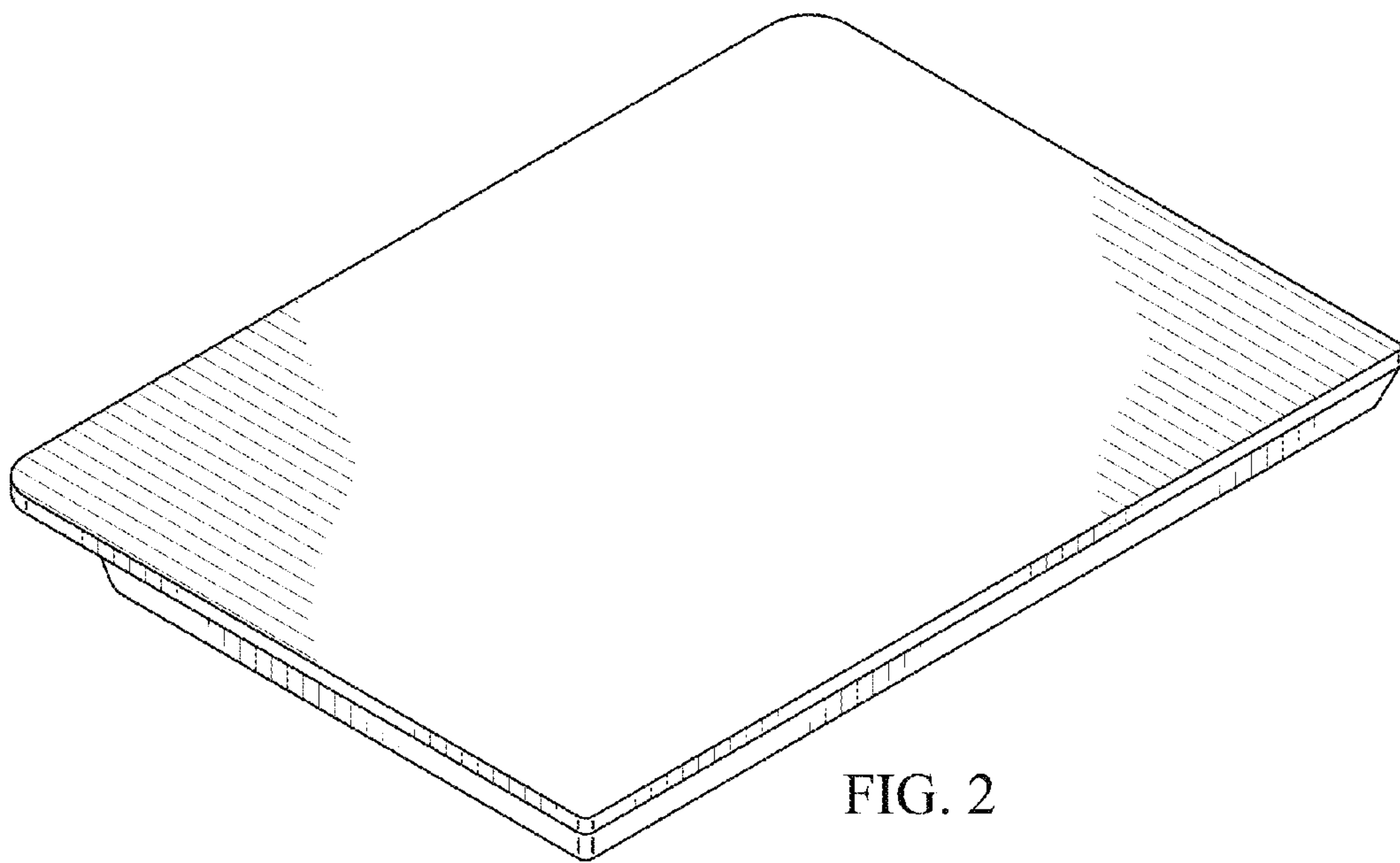
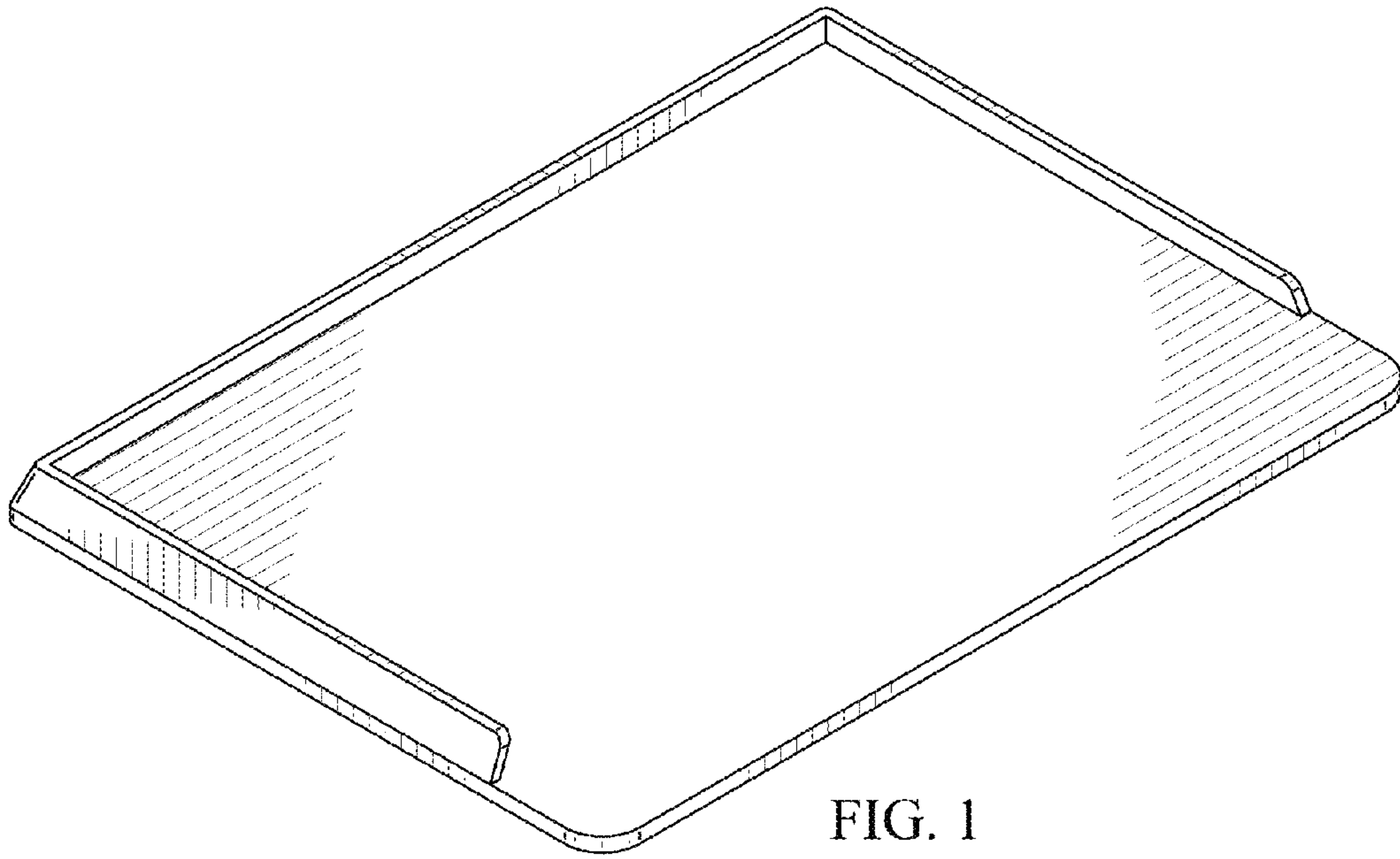
The ornamental design for a cooking pan, as shown and  
described.

**DESCRIPTION**

FIG. 1 is a front perspective view of a cooking pan;  
FIG. 2 is a bottom perspective view thereof;  
FIG. 3 is a top view thereof;  
FIG. 4 is a bottom view thereof;  
FIG. 5 is a left side view thereof, the opposite side being  
identical;  
FIG. 6 is a front side view thereof; and,  
FIG. 7 is a rear side view thereof.

**1 Claim, 3 Drawing Sheets**





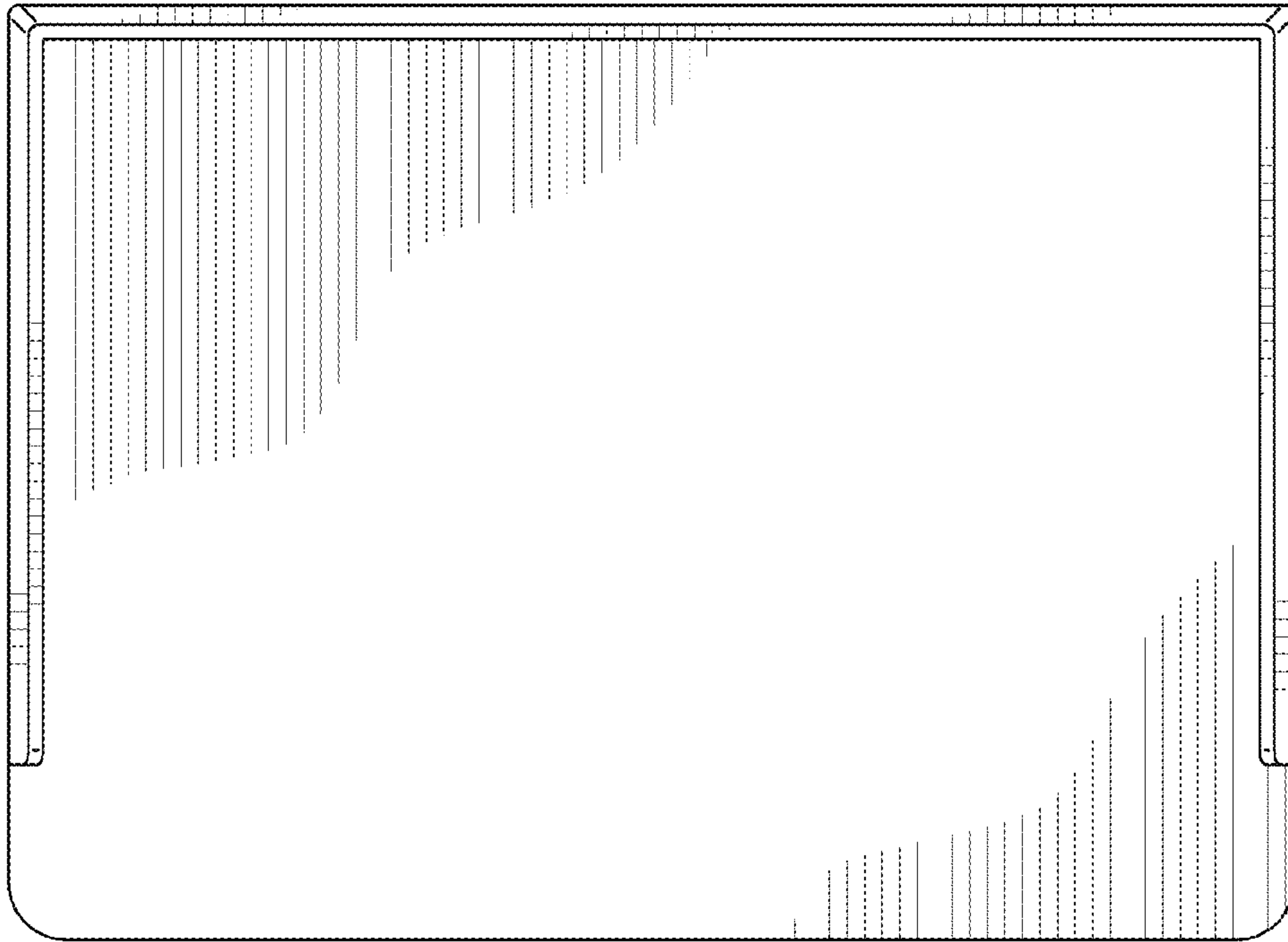


FIG. 3

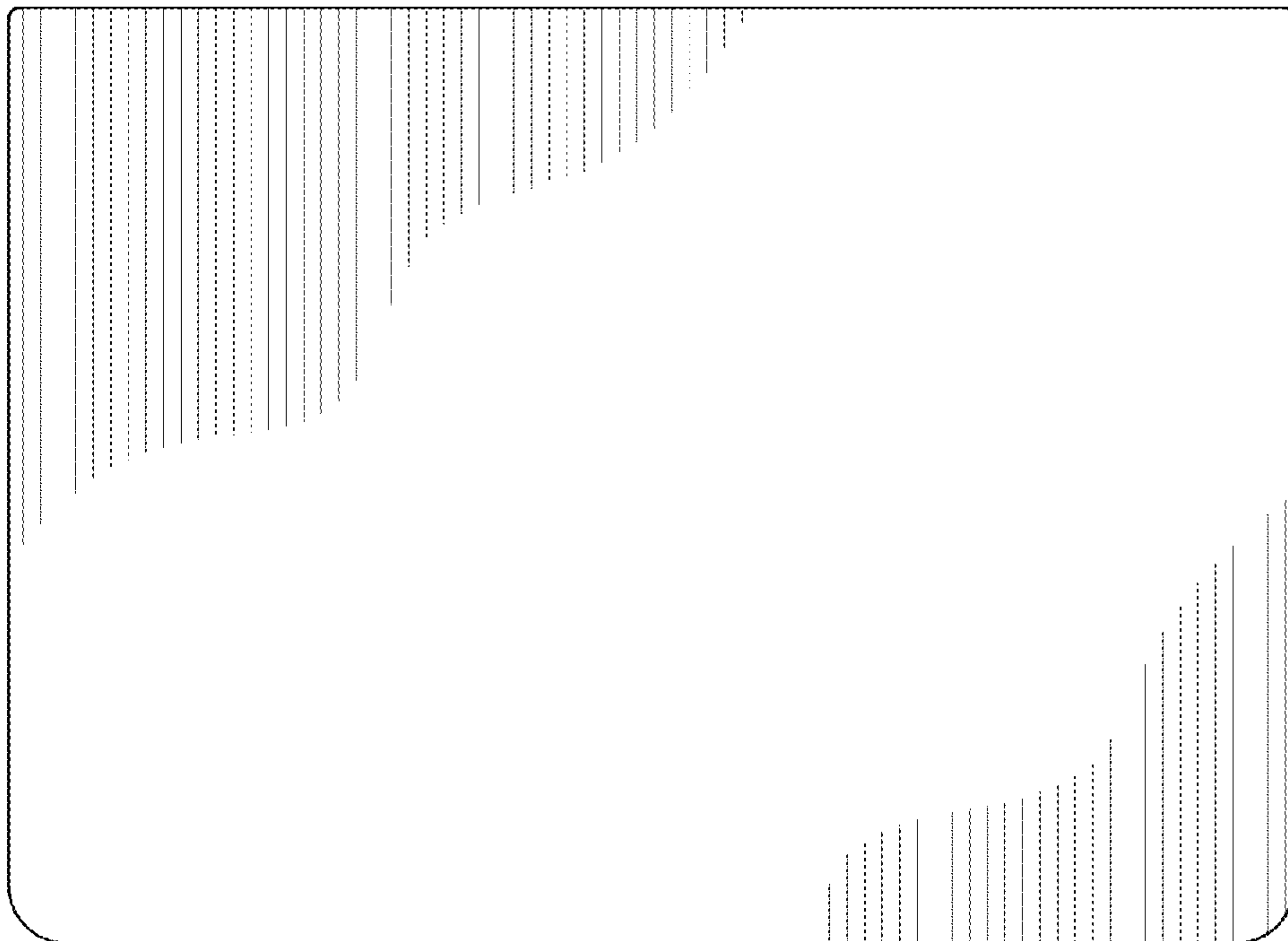


FIG. 4

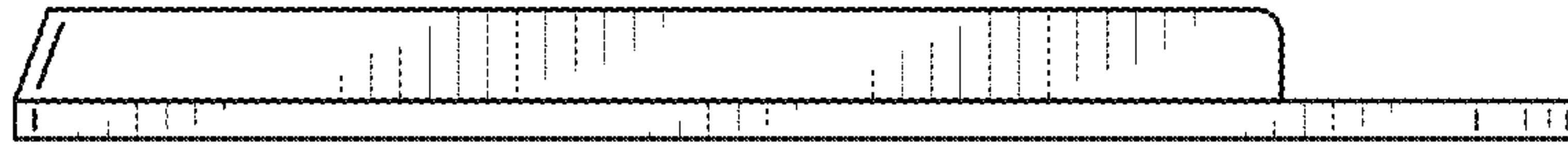


FIG. 5



FIG. 6



FIG. 7