



US00D747133S

(12) **United States Design Patent**  
**Dutrueil**

(10) **Patent No.:** **US D747,133 S**  
(45) **Date of Patent:** **\*\* Jan. 12, 2016**

(54) **ELECTRIC FRYER**  
(71) Applicant: **SEB, Selongey (FR)**  
(72) Inventor: **Laurent Dutrueil, Dijon (FR)**  
(73) Assignee: **SEB, Selongey (FR)**  
(\*\*) Term: **14 Years**

D551,897 S 10/2007 De Pra'  
D588,860 S 3/2009 Tienor et al.  
D592,008 S 5/2009 Reiner  
D611,757 S 3/2010 Reiner  
D676,271 S 2/2013 Reiner  
D677,112 S \* 3/2013 Piret ..... D7/354  
D677,113 S \* 3/2013 Reiner ..... D7/354  
D677,527 S \* 3/2013 Brega ..... D7/402  
D716,600 S \* 11/2014 Dutrueil ..... D7/354

(21) Appl. No.: **29/500,789**  
(22) Filed: **Aug. 28, 2014**  
(51) **LOC (10) Cl.** ..... **07-02**  
(52) **U.S. Cl.**  
USPC ..... **D7/354**  
(58) **Field of Classification Search**  
USPC ..... D7/323, 354-363, 391, 393-396, 402,  
D7/409, 560  
CPC ..... A47G 19/12; A47J 27/00; A47J 27/002;  
A47J 27/08; A47J 27/21; A47J 27/58; A47J  
36/025; A47J 36/06; A47J 36/12; A47J 36/38;  
A47J 37/00; A47J 37/10; A47J 37/101;  
A47J 37/103; A47J 37/12; A47J 37/1204;  
A47J 45/061; A47J 45/071; A47J 45/08;  
H05B 6/12  
See application file for complete search history.

**FOREIGN PATENT DOCUMENTS**

CN ZL200730351148.0 11/2007  
EM 000826599-0001 11/2007  
EM 001370977-0001 5/2013  
EM 001370977-0002 5/2013

(Continued)

*Primary Examiner* — Ricky Pham  
(74) *Attorney, Agent, or Firm* — Loeb & Loeb LLP

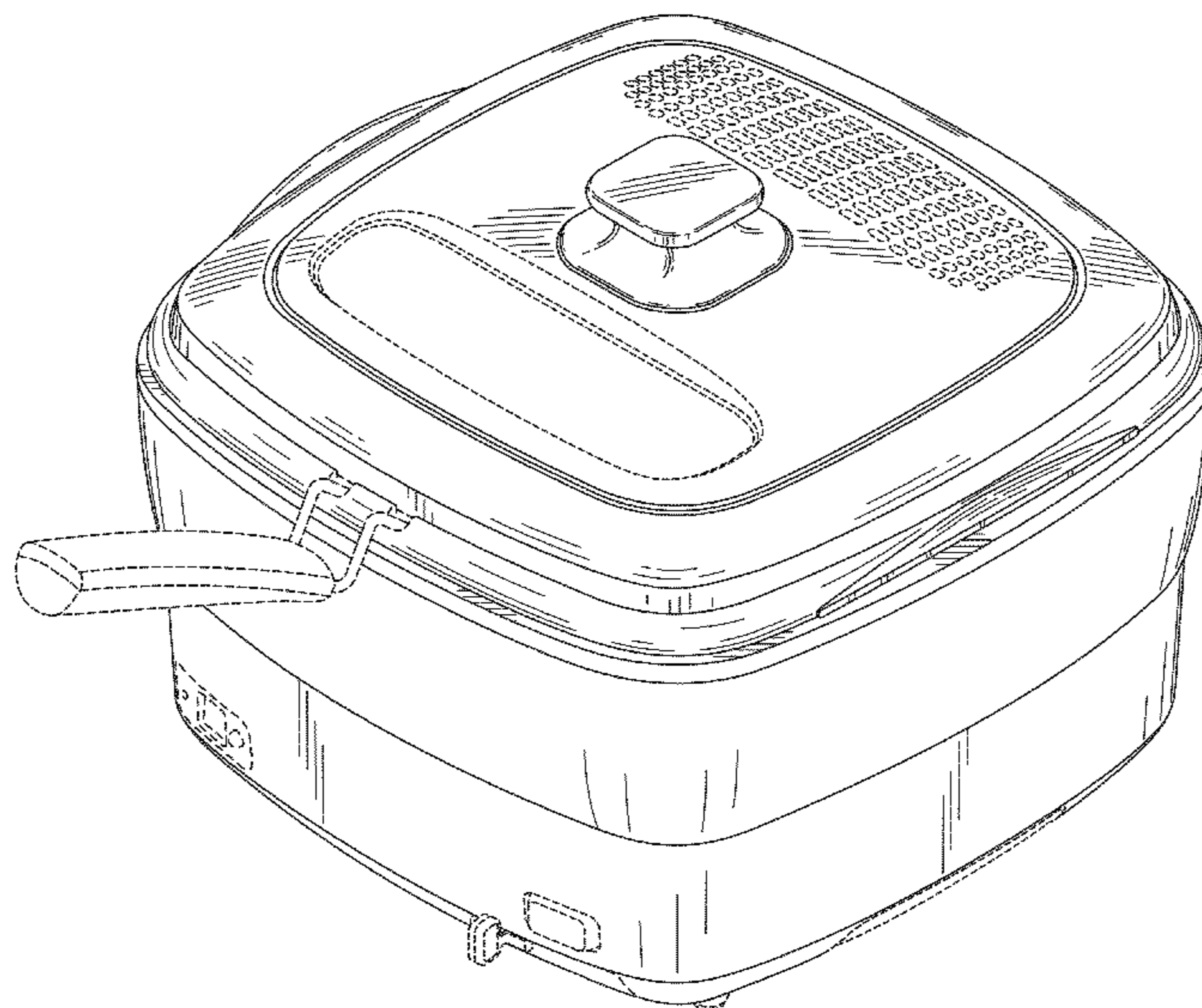
(57) **CLAIM**  
The ornamental design for an electric fryer, as shown and described.

**DESCRIPTION**

FIG. 1 is a perspective view of an embodiment of an electric fryer showing my new design.  
FIG. 2 is a front elevational view of the electric fryer of FIG. 1.  
FIG. 3 is a rear elevational view of the electric fryer of FIG. 1.  
FIG. 4 is a left side elevational view of the electric fryer of FIG. 1.  
FIG. 5 is a right side elevational view of the electric fryer of FIG. 1; and,  
FIG. 6 is a top plan view of the electric fryer of FIG. 1.  
A view of the bottom has been omitted since the bottom is flat and devoid of surface ornamentation. The broken lines appearing in the figures are for the purpose of illustrating the environmental structure of the article of the claimed design and form no part of the claimed design.

(56) **References Cited**  
**U.S. PATENT DOCUMENTS**  
D360,804 S 8/1995 Hamada et al.  
D387,243 S \* 12/1997 Bumoux ..... D7/354  
D397,579 S 9/1998 Wu Chang  
D436,795 S 1/2001 Martres et al.  
D463,711 S 10/2002 Josancy  
D464,526 S 10/2002 Brown  
D474,937 S 5/2003 Josancy  
7,015,429 B2 \* 3/2006 Lau ..... A47J 36/38  
219/430  
D528,853 S 9/2006 Lloyd  
D542,095 S \* 5/2007 Orent ..... D7/560

**1 Claim, 6 Drawing Sheets**



(56)

**References Cited**

FOREIGN PATENT DOCUMENTS

EM 001370977-0003 5/2013  
EM 001370977-0004 5/2013

FR 980409 1/1998  
FR 073013 6/2013  
TR 4912 7/1998  
WO DM/043615 4/1998

\* cited by examiner

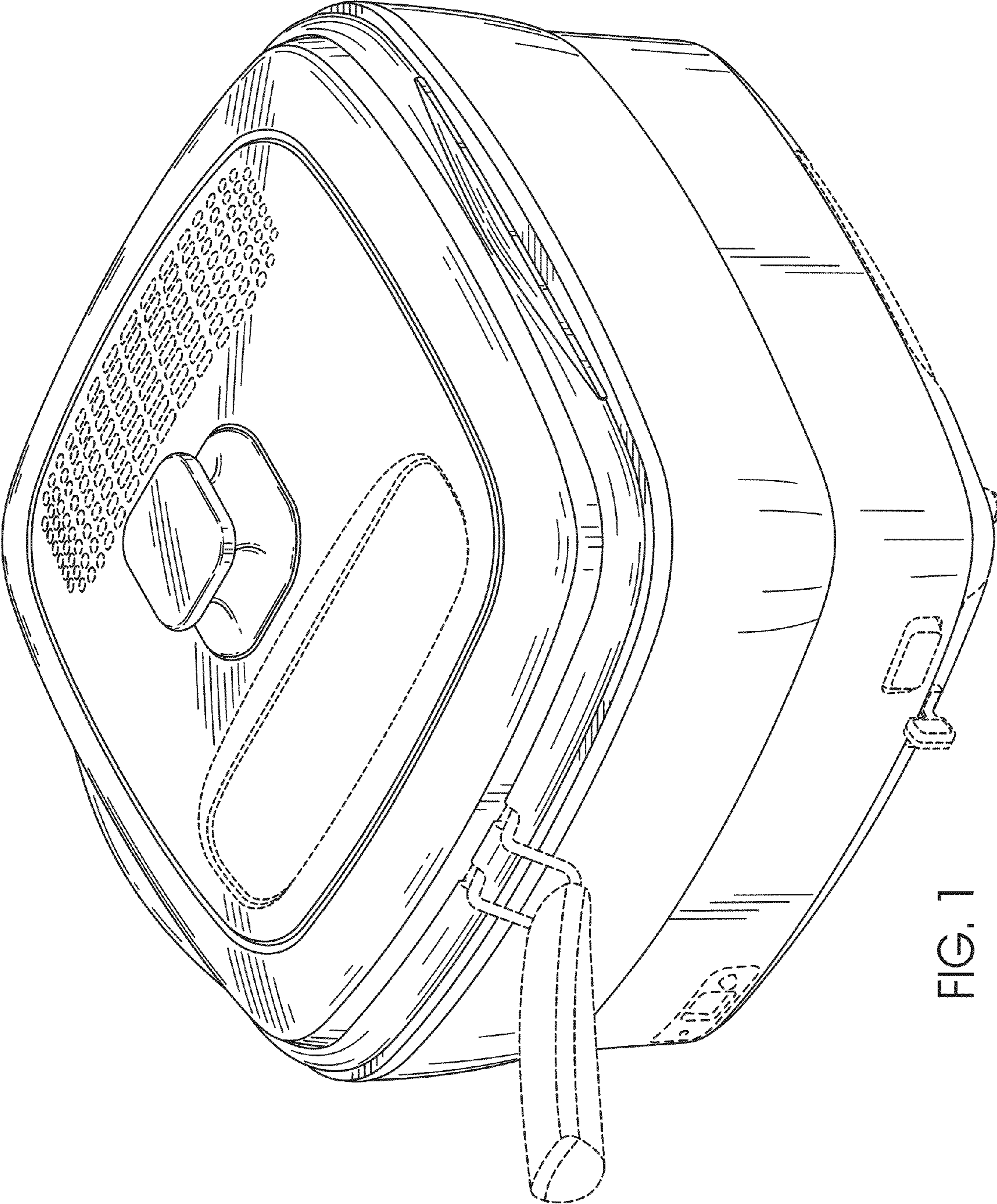


FIG. 1

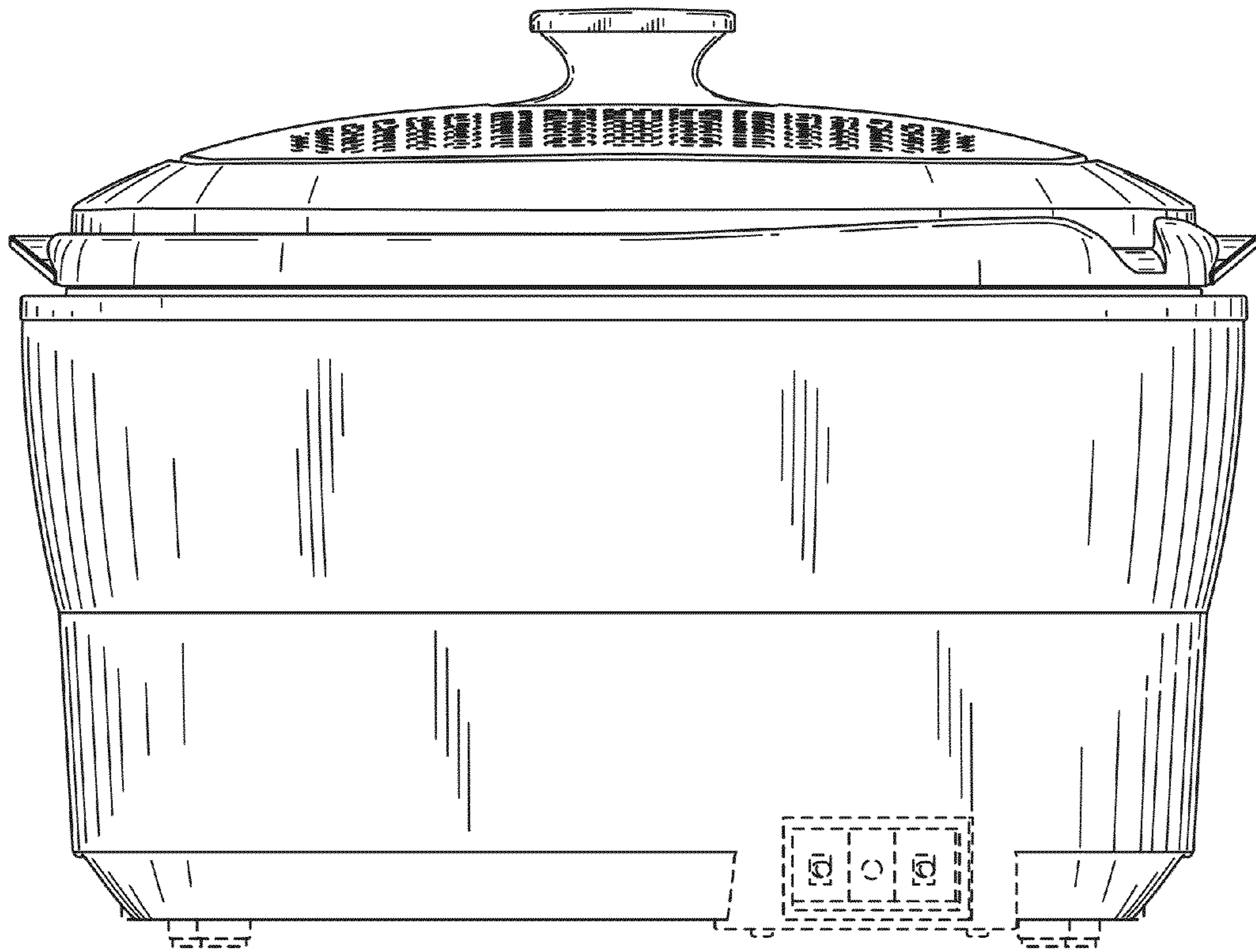


FIG. 2

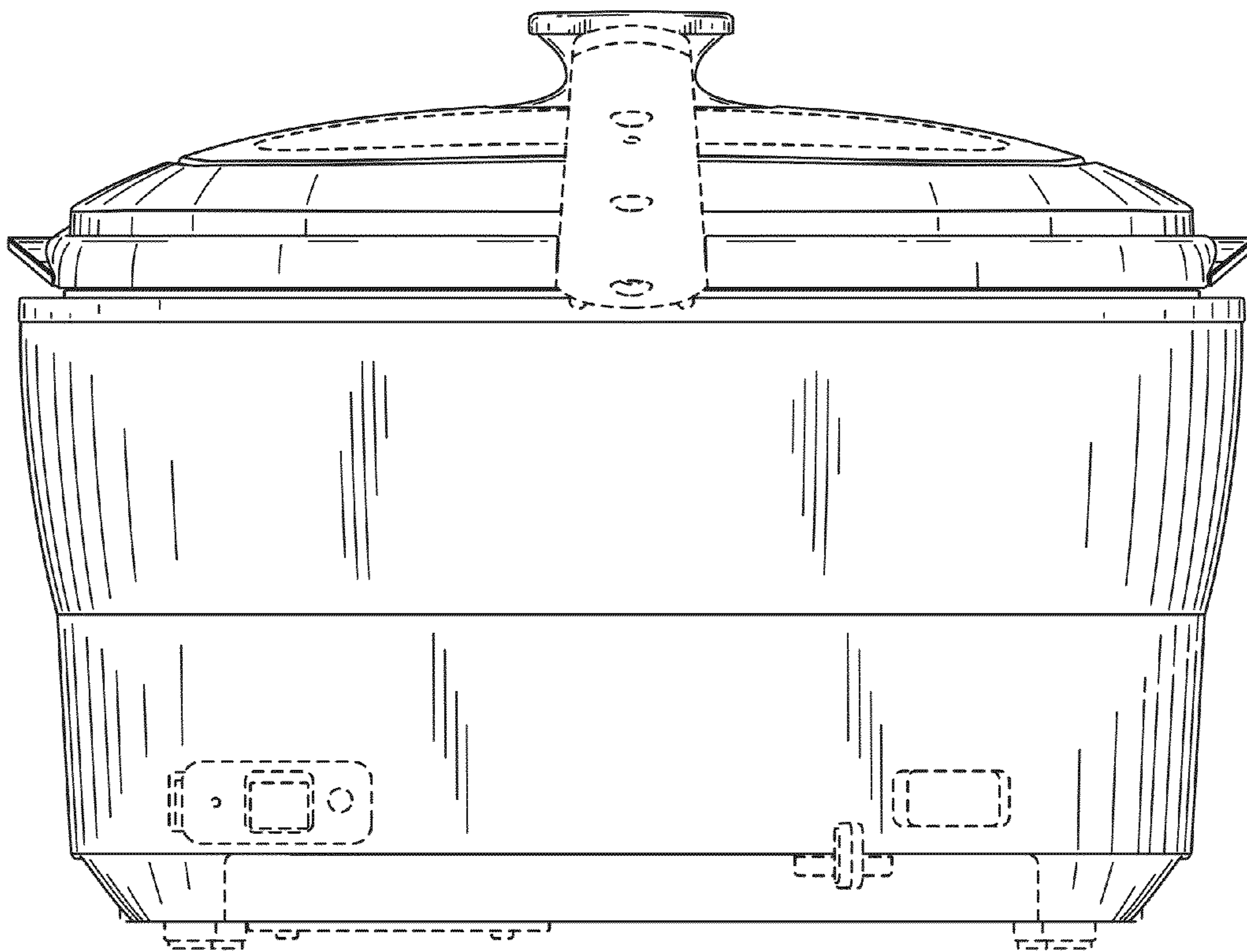


FIG. 3

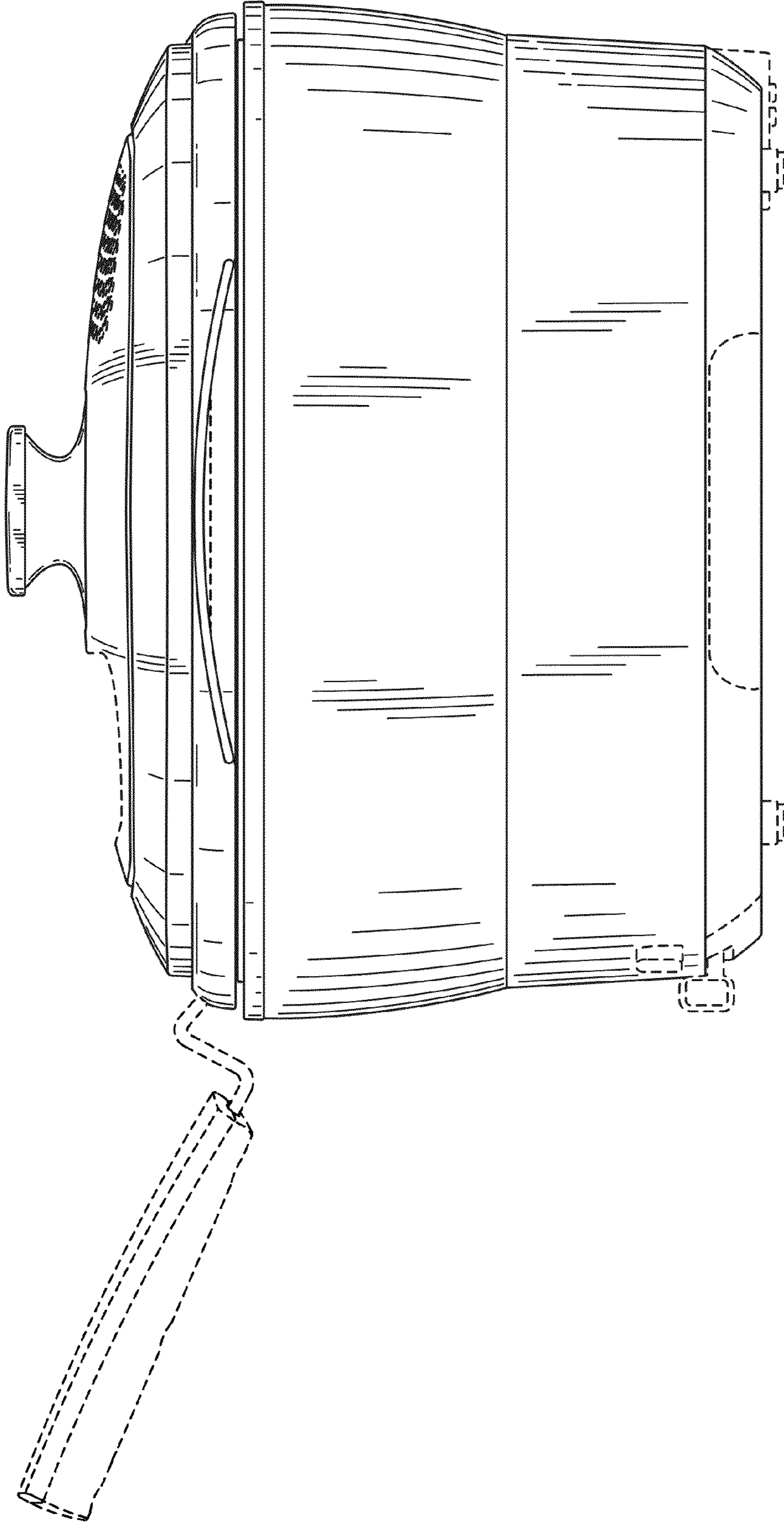


FIG. 4

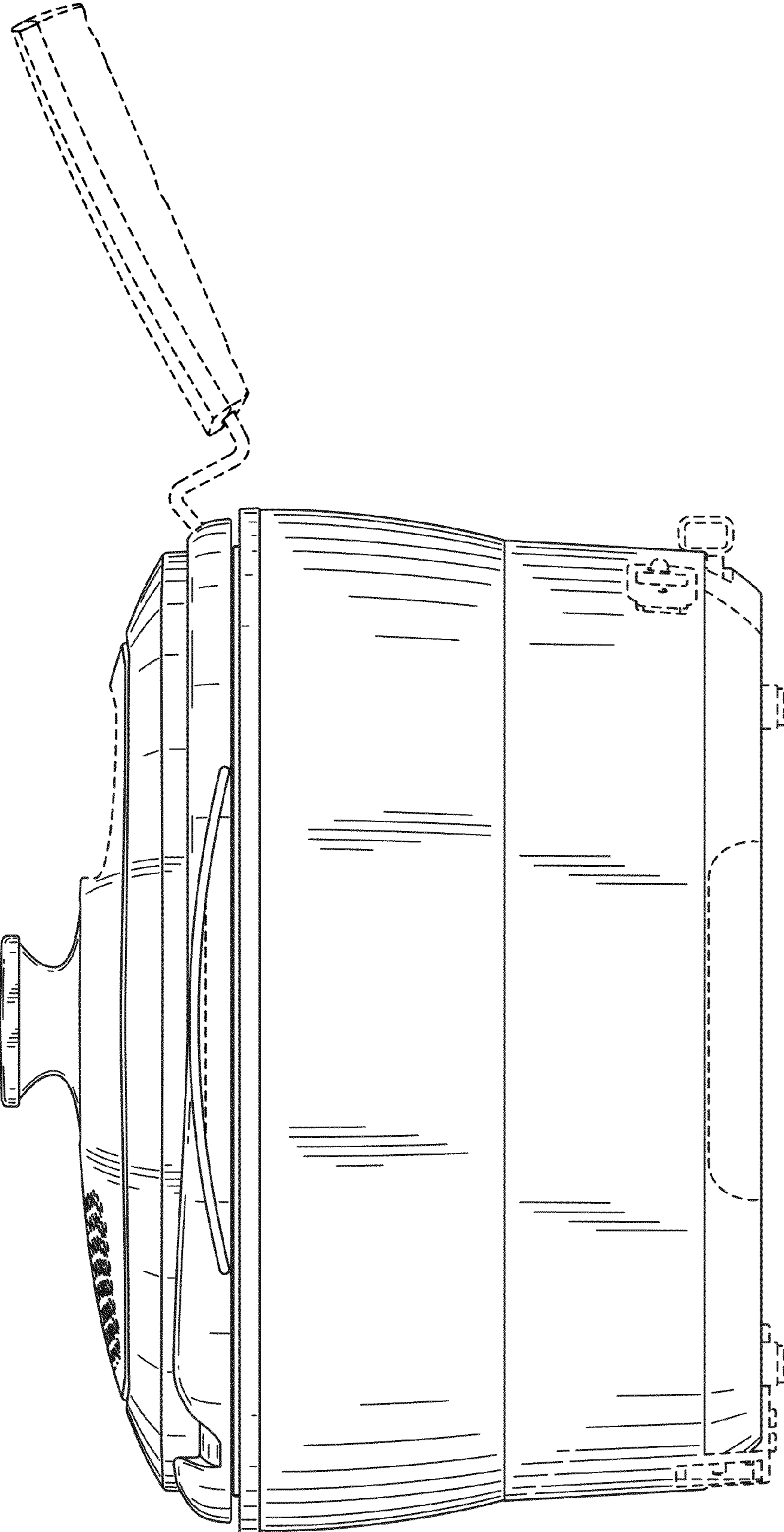


FIG. 5

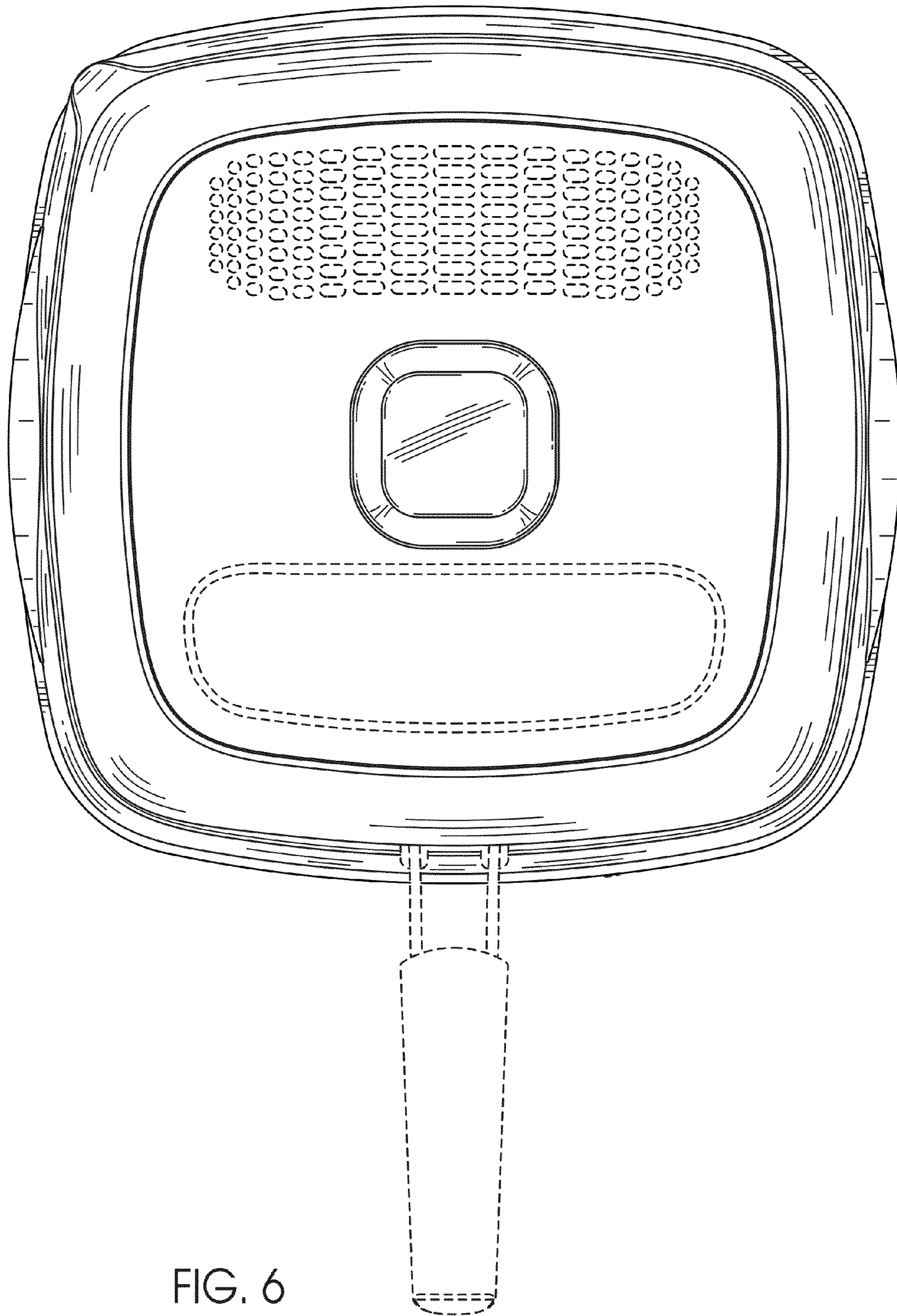


FIG. 6