



US00D747130S

(12) **United States Design Patent**  
**Kunz**

(10) **Patent No.:** **US D747,130 S**  
(45) **Date of Patent:** **\*\* Jan. 12, 2016**

(54) **ELECTRIC KETTLE**

(71) Applicant: **SEB, Selongey (FR)**

(72) Inventor: **Anders Kunz, Savigny le Sec (FR)**

(73) Assignee: **SEB, Selongey (FR)**

(\*\*) Term: **14 Years**

(21) Appl. No.: **29/495,489**

(22) Filed: **Jul. 1, 2014**

(30) **Foreign Application Priority Data**

Jan. 7, 2014 (EM) ..... 001397780-0001

(51) **LOC (10) Cl.** ..... **07-01**

(52) **U.S. Cl.**  
USPC ..... **D7/319; D7/317**

(58) **Field of Classification Search**  
USPC ..... D7/300, 316-319; D23/207, 209;  
222/144.5; 219/209; 99/300; 210/237,  
210/474  
CPC ..... B01D 35/027; A47G 19/22; A47J 43/44;  
C02F 1/003; H04B 10/801  
See application file for complete search history.

(56) **References Cited**

**U.S. PATENT DOCUMENTS**

D285,160 S \* 8/1986 Osit ..... D7/317  
4,623,457 A \* 11/1986 Hankammer ..... C02F 1/003  
210/237  
D437,175 S \* 2/2001 Brady ..... D7/317

D544,288 S \* 6/2007 Berlencourt ..... D7/317  
D554,425 S \* 11/2007 Schwamkrug ..... D7/317  
D595,534 S \* 7/2009 Mankowitz ..... D7/317  
D607,686 S \* 1/2010 Elissen ..... D7/317  
D630,882 S \* 1/2011 Cohen ..... D7/317  
D658,925 S \* 5/2012 Horimoto ..... D7/317  
8,536,490 B2 \* 9/2013 Zhang ..... H04B 10/801  
219/209  
D726,486 S \* 4/2015 Averty ..... D7/312  
D731,226 S \* 6/2015 Sun ..... D7/316

\* cited by examiner

*Primary Examiner* — Marianne Pandozzi

(74) *Attorney, Agent, or Firm* — Loeb & Loeb LLP

(57) **CLAIM**

The ornamental design for an electric kettle, as shown and described.

**DESCRIPTION**

FIG. 1 is a perspective view of an embodiment of an electric kettle showing my new design.

FIG. 2 is a front elevational view of the electric kettle of FIG. 1.

FIG. 3 is a rear elevational view of the electric kettle of FIG. 1.

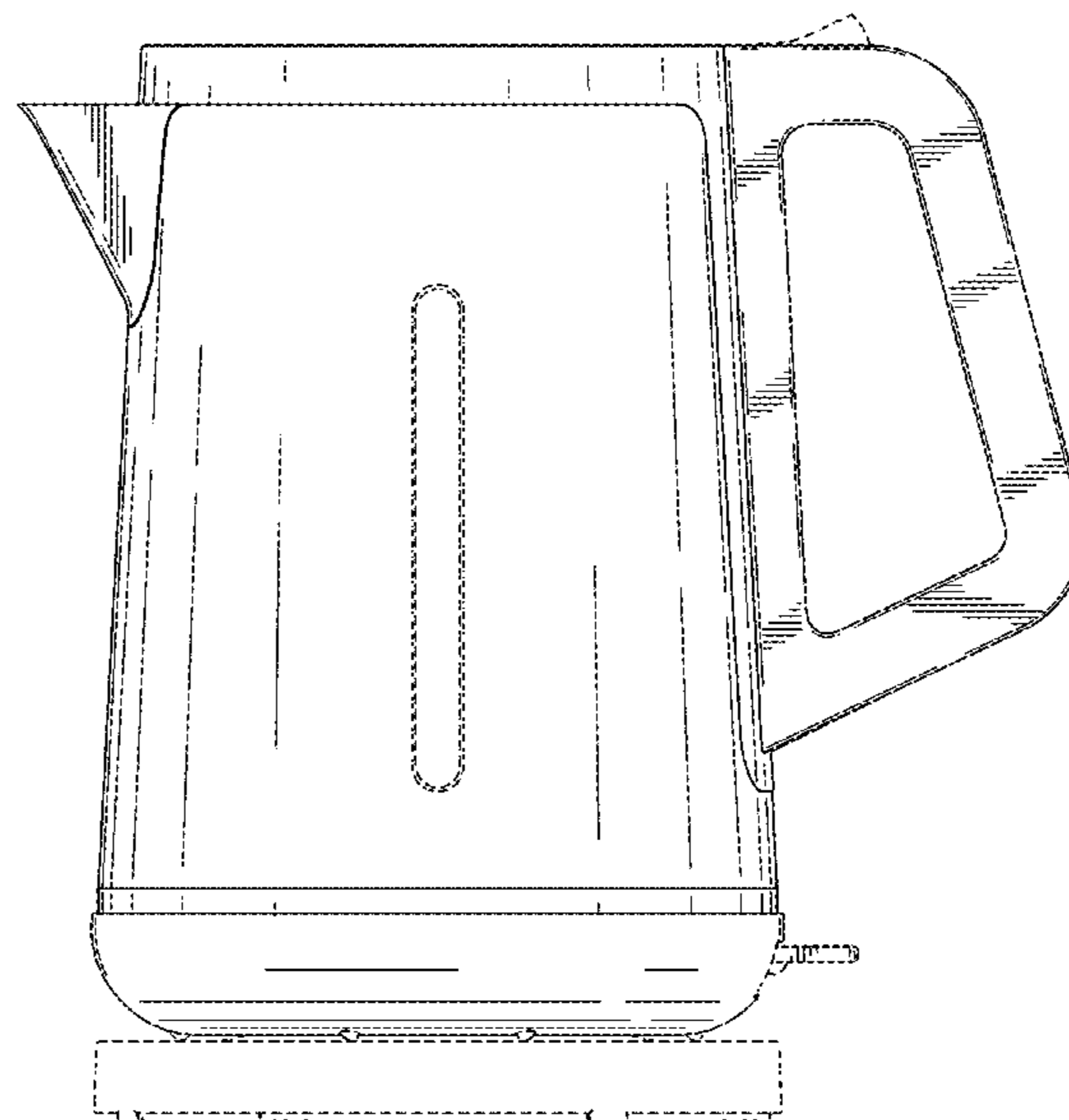
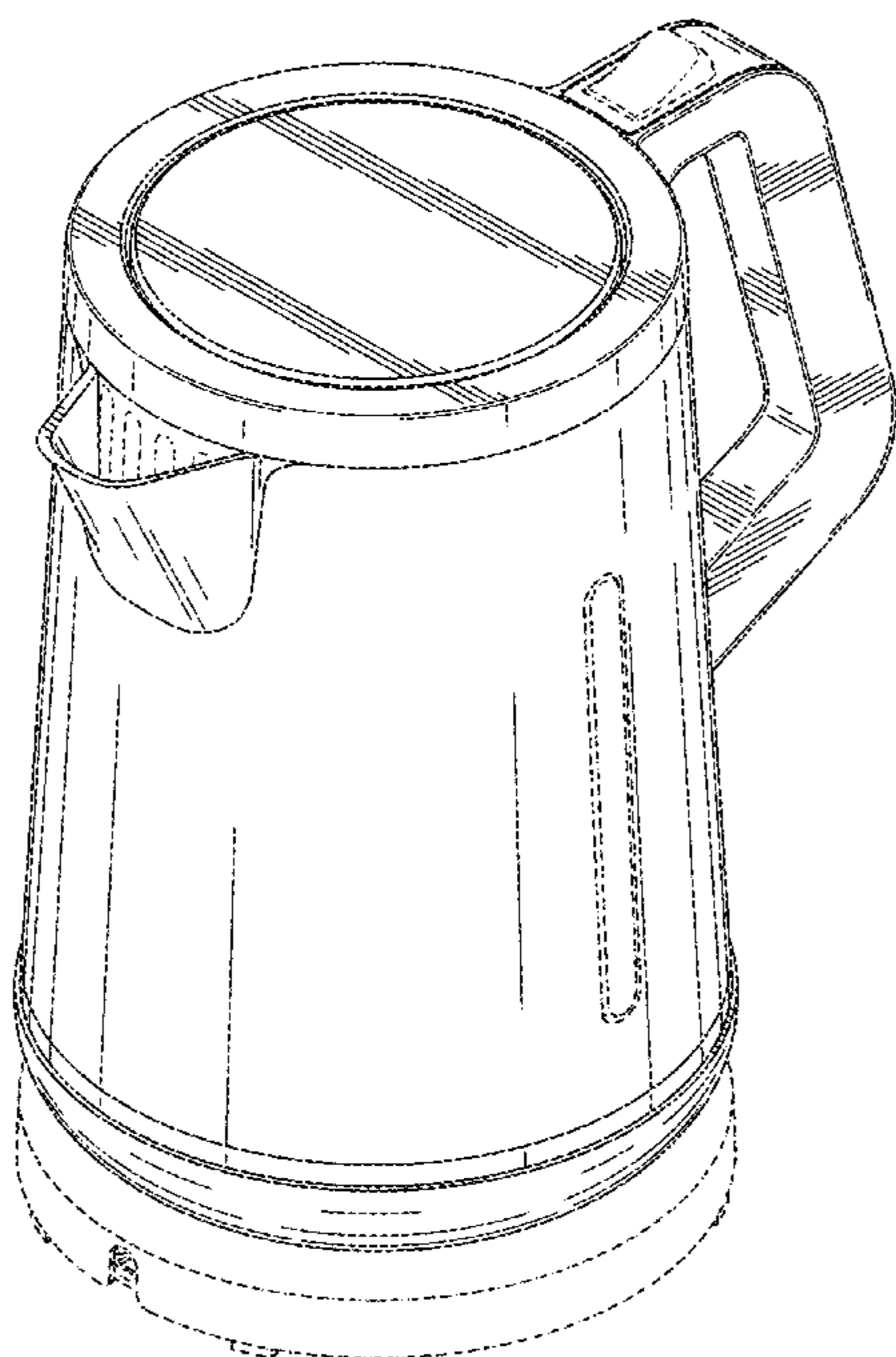
FIG. 4 is a right side elevational view of the electric kettle of FIG. 1.

FIG. 5 is a left side elevational view of the electric kettle of FIG. 1.

FIG. 6 is a top plan view of the electric kettle of FIG. 1; and, FIG. 7 is a bottom plan view of the electric kettle of FIG. 1.

The broken lines in the drawings are included for the purpose of illustration and form no part of the claimed design.

**1 Claim, 7 Drawing Sheets**



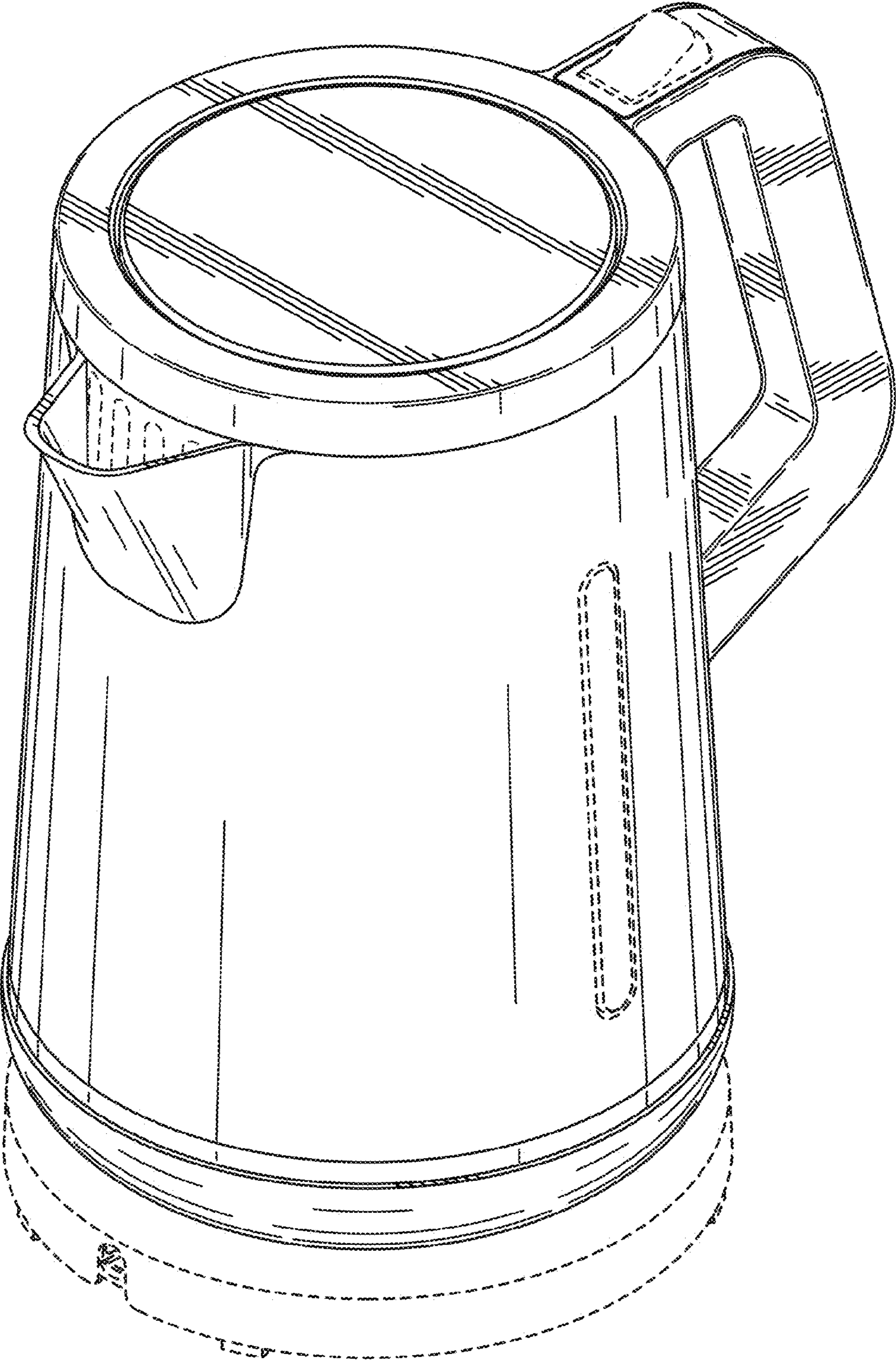


FIG. 1

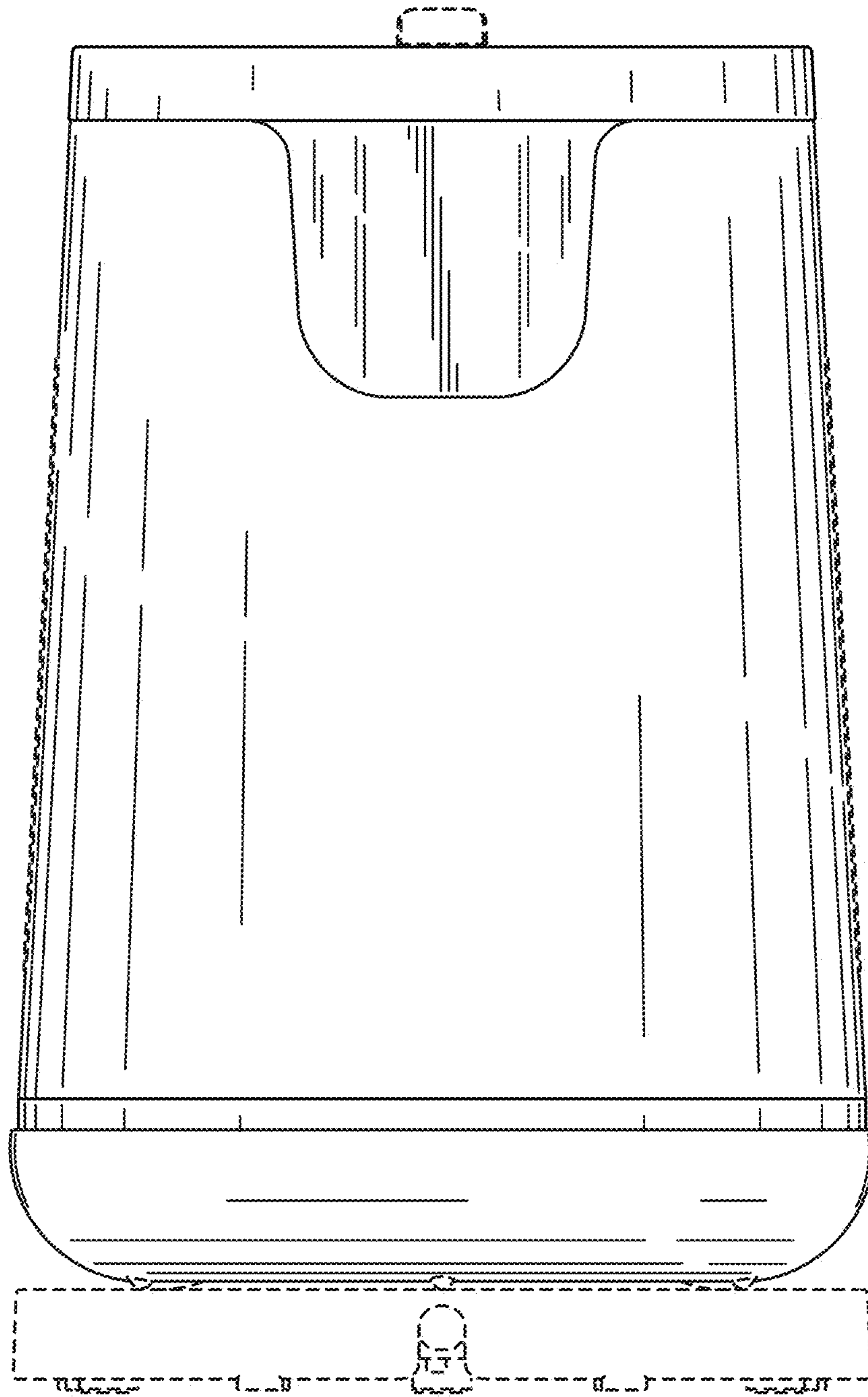


FIG. 2

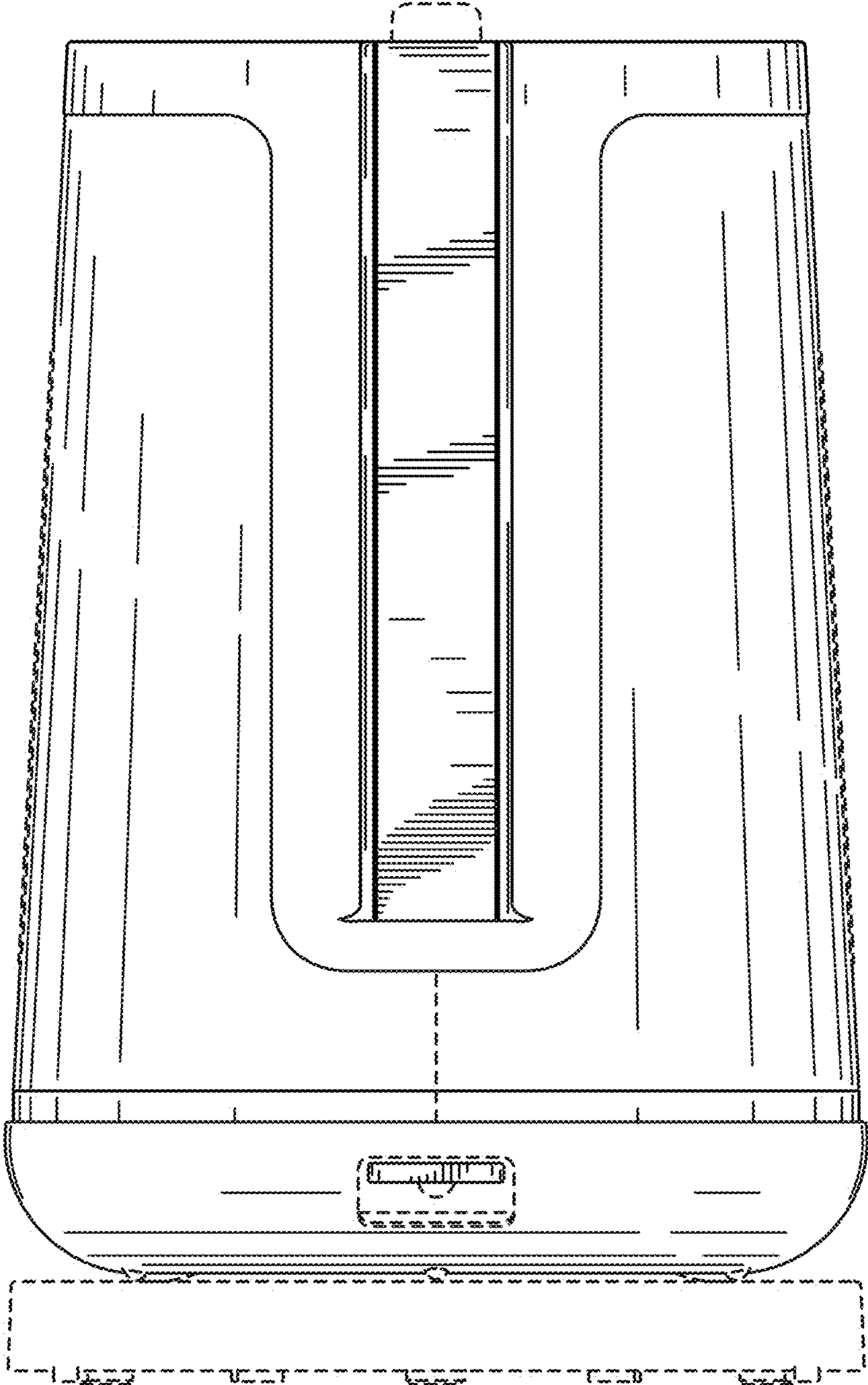


FIG. 3

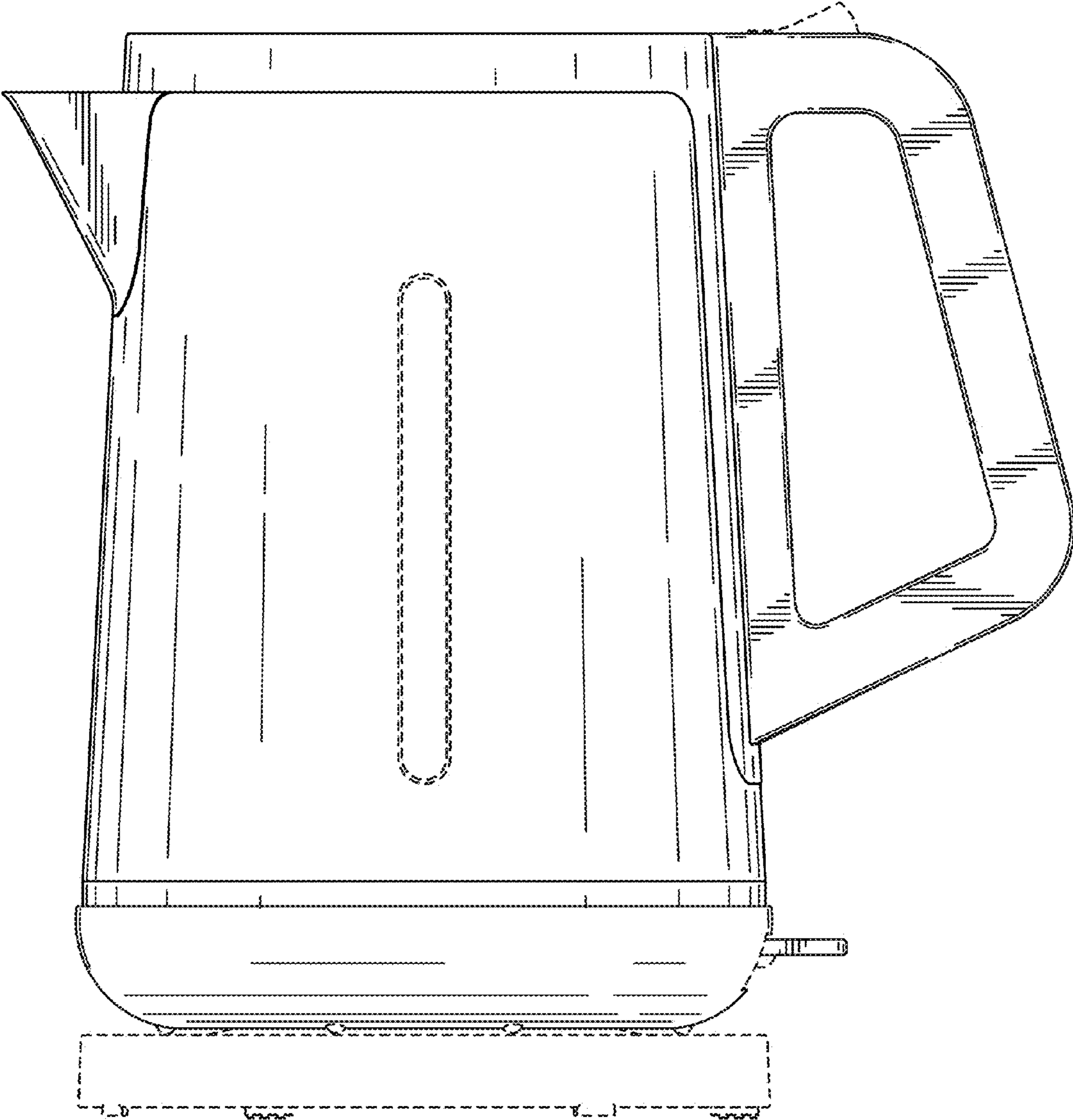


FIG. 4

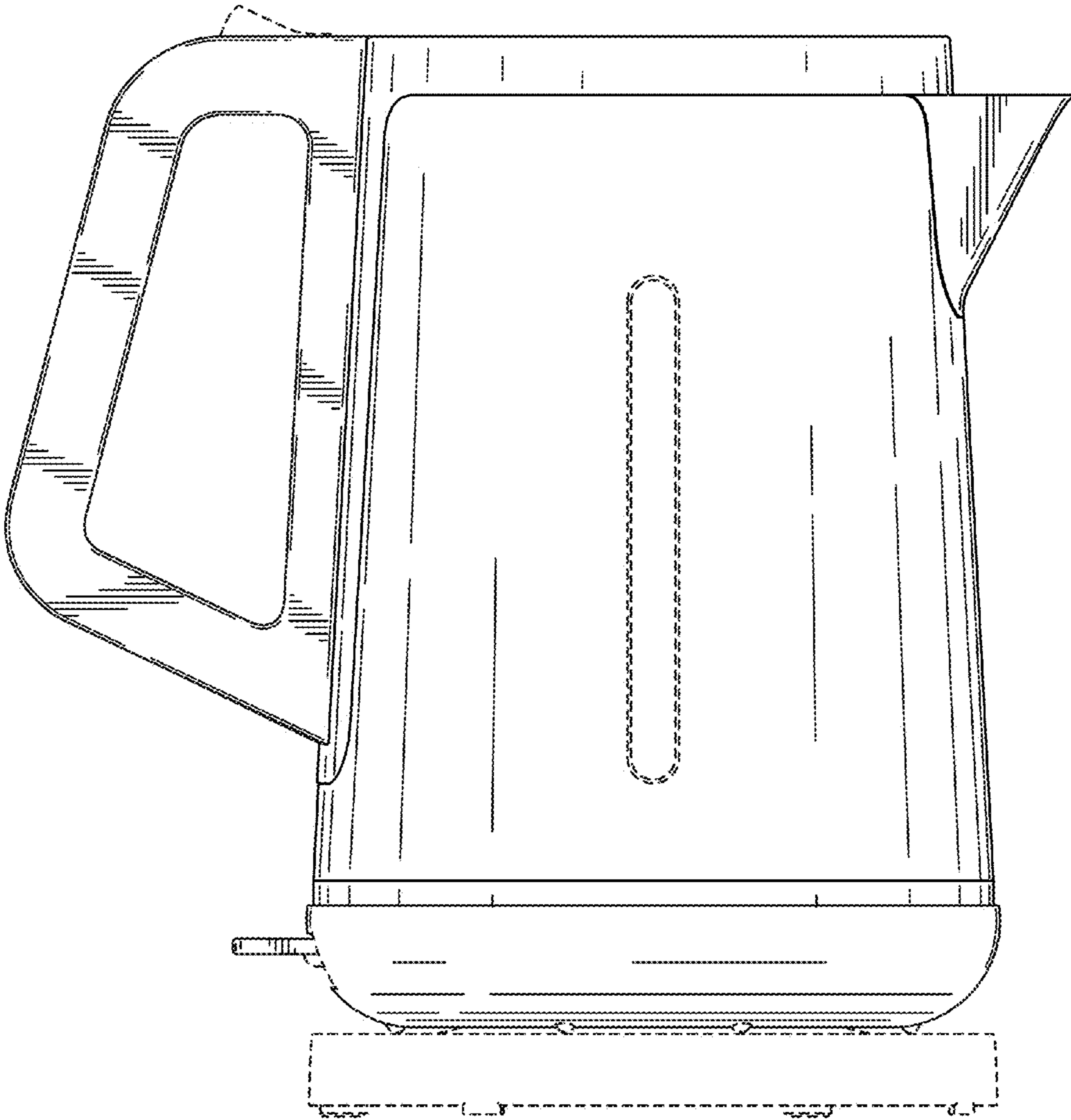


FIG. 5

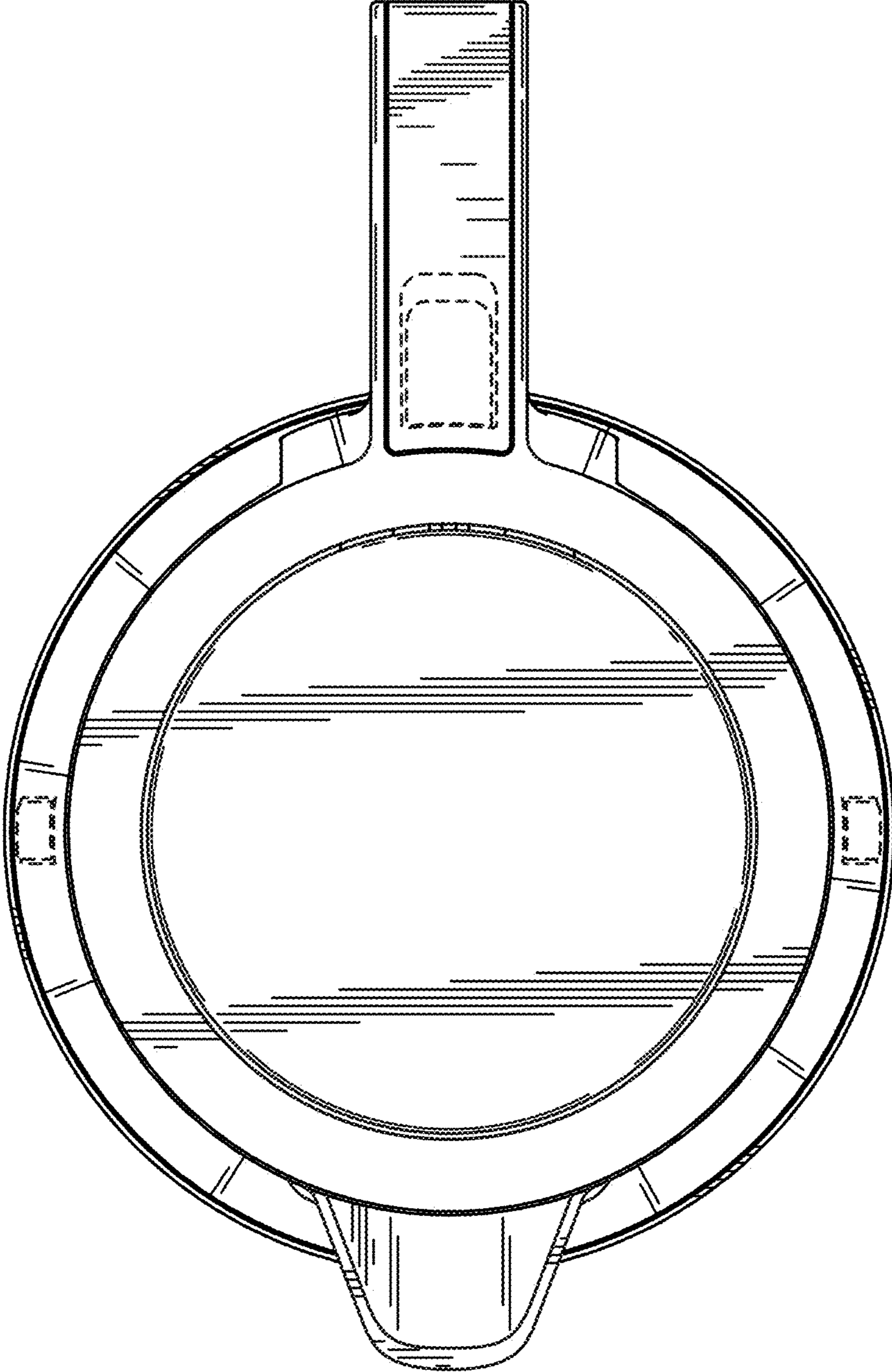


FIG. 6

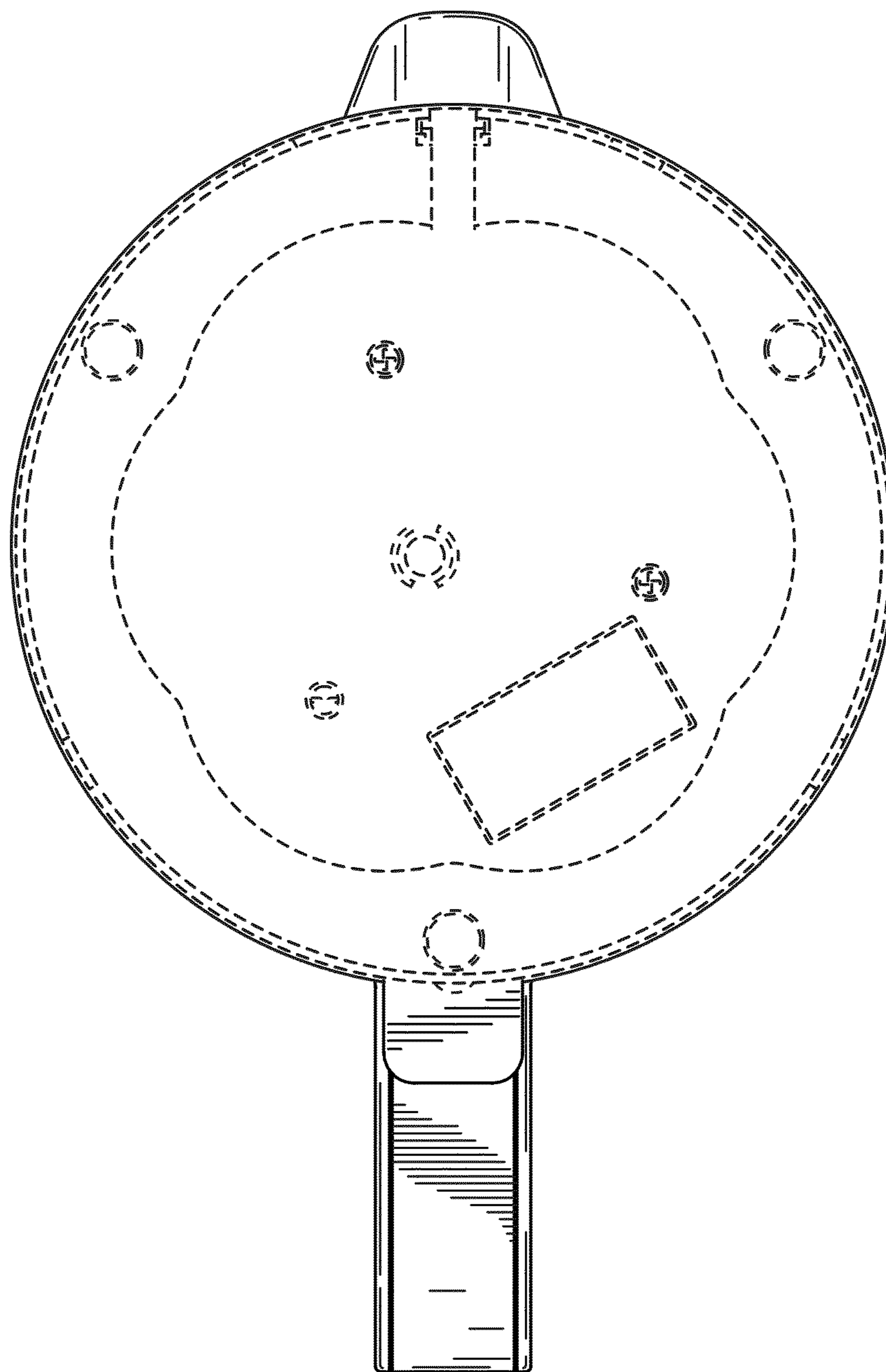


FIG. 7