



US00D747128S

(12) **United States Design Patent**  
**Chang**

(10) **Patent No.:** **US D747,128 S**  
(45) **Date of Patent:** **\*\* Jan. 12, 2016**

(54) **FURNITURE PART**

(71) Applicant: **Hyo Cheol Chang**, Incheon (KR)

(72) Inventor: **Hyo Cheol Chang**, Incheon (KR)

(\*\*) Term: **14 Years**

(21) Appl. No.: **29/483,175**

(22) Filed: **Feb. 26, 2014**

(51) **LOC (10) Cl.** ..... **06-06**

(52) **U.S. Cl.**

USPC ..... **D6/709**; D6/712; D25/124

(58) **Field of Classification Search**

USPC ..... D6/708, 708.17, 709, 712, 656, 656.16,  
D6/656.17, 656.11, 656.19, 653.14,  
D6/653.21, 655.14, 655.22; D25/120, 124,  
D25/125

CPC ..... A47B 13/023; A47B 13/00; A47B 13/02;  
A47B 21/02; A47B 21/00; A47B 17/00;  
A47B 17/003; A47B 17/006; E04C 2003/043;  
E04C 3/07

See application file for complete search history.

(56) **References Cited**

U.S. PATENT DOCUMENTS

1,750,833	A *	3/1930	Carns	52/831
3,166,100	A *	1/1965	Tiola	138/171
D343,312	S *	1/1994	Burdick et al.	D6/709
D382,146	S *	8/1997	Sandy	D6/703
D563,124	S *	3/2008	Walter	D25/124
2008/0202038	A1 *	8/2008	Orava	52/1

\* cited by examiner

*Primary Examiner* — Janice Seeger

(74) *Attorney, Agent, or Firm* — John K. Park; Park Law Firm

(57) **CLAIM**

The ornamental design for a furniture part, as shown and described.

**DESCRIPTION**

FIG. 1 is a perspective view of a furniture part showing my new design;

FIG. 2 is a front view thereof;

FIG. 3 is a top view thereof;

FIG. 4 is a bottom view thereof; and,

FIG. 5 is a right side view thereof.

The broken line showing of environment is for illustrative purposes only and forms no part of the claimed design.

**1 Claim, 2 Drawing Sheets**

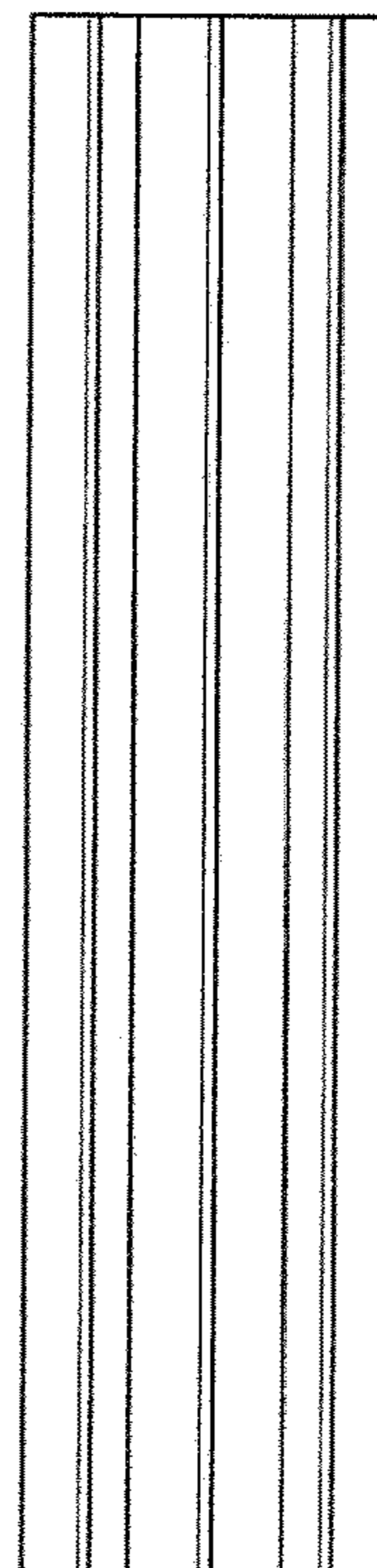
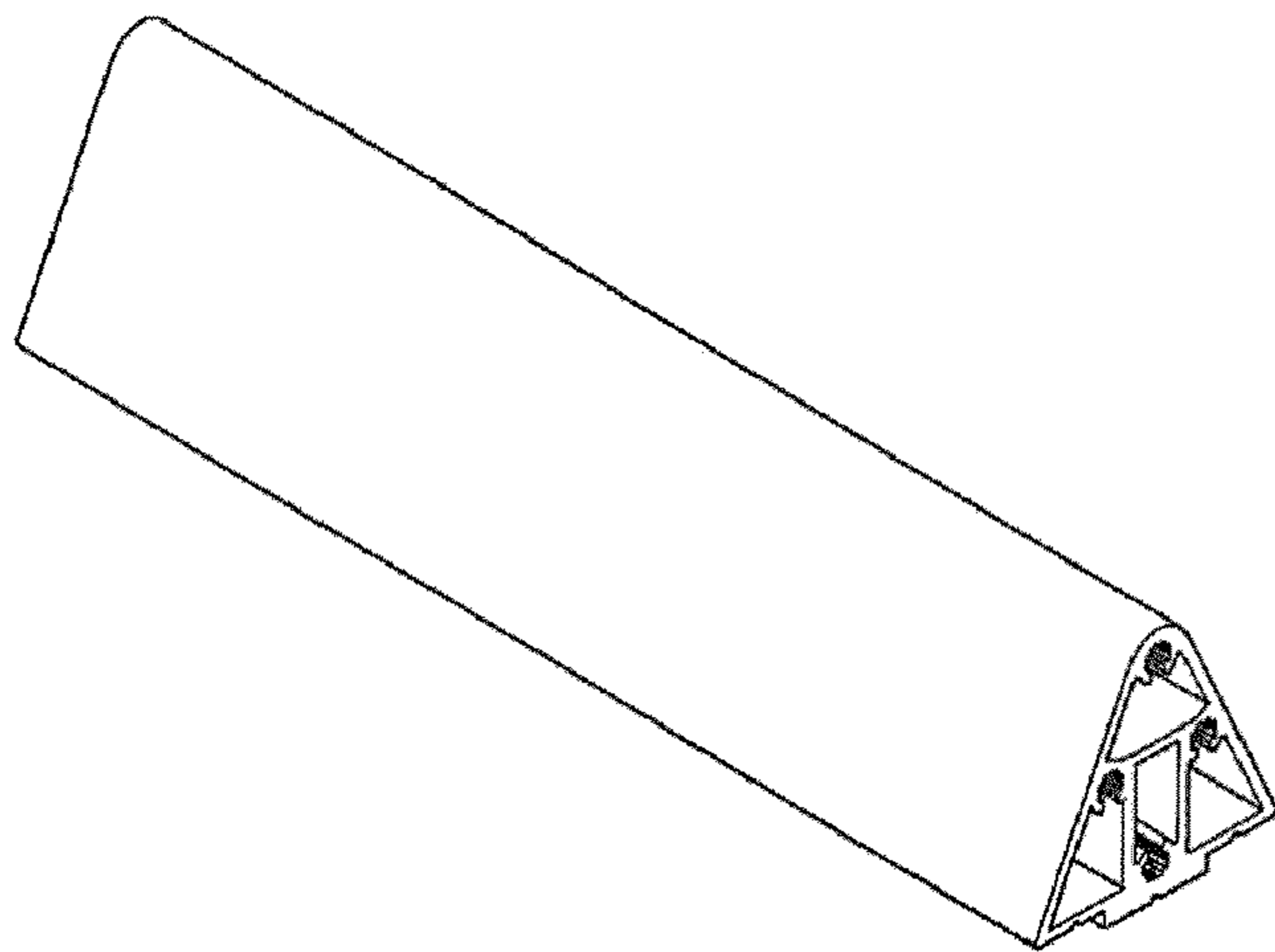


FIG. 1

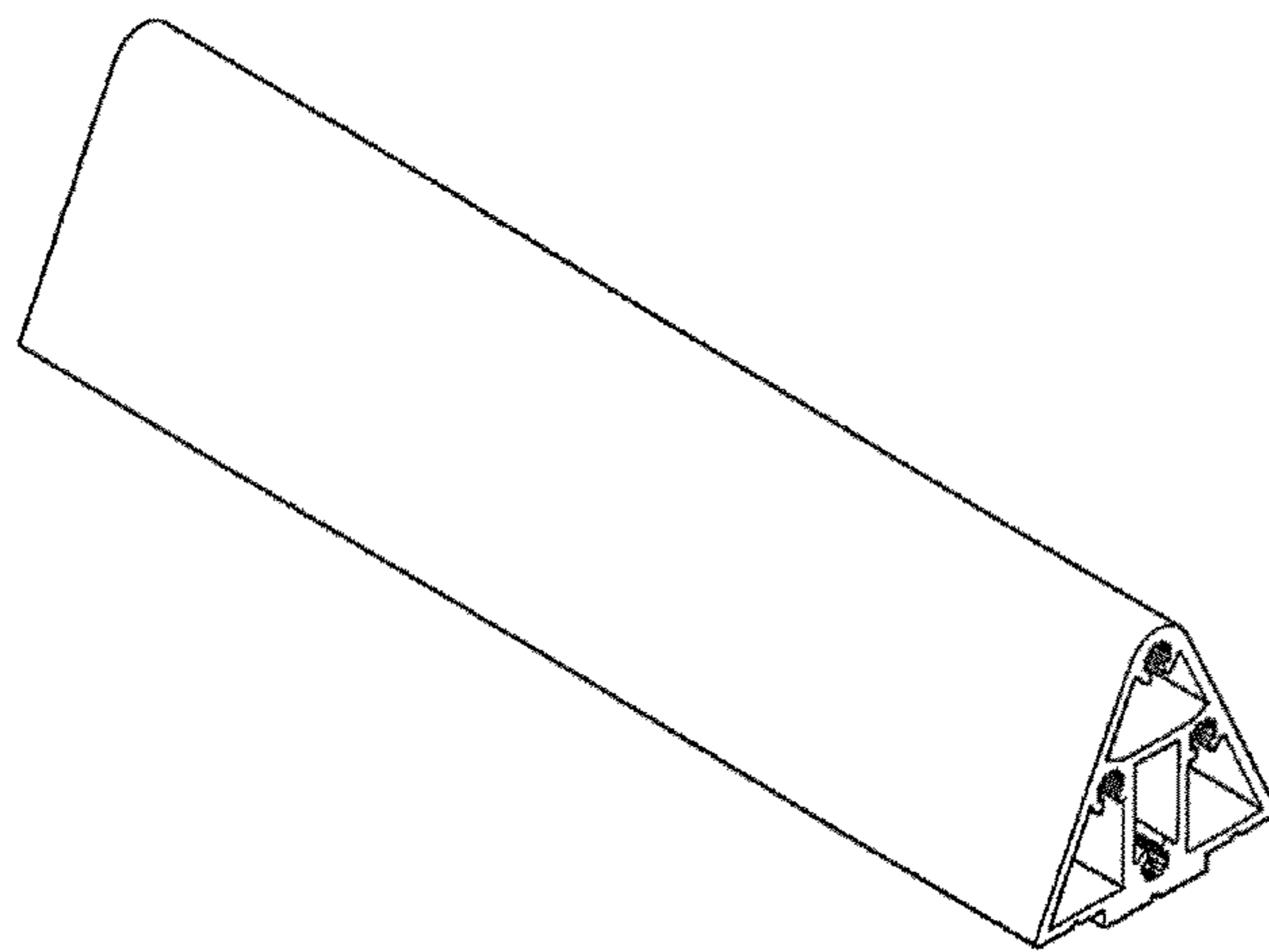


FIG.2

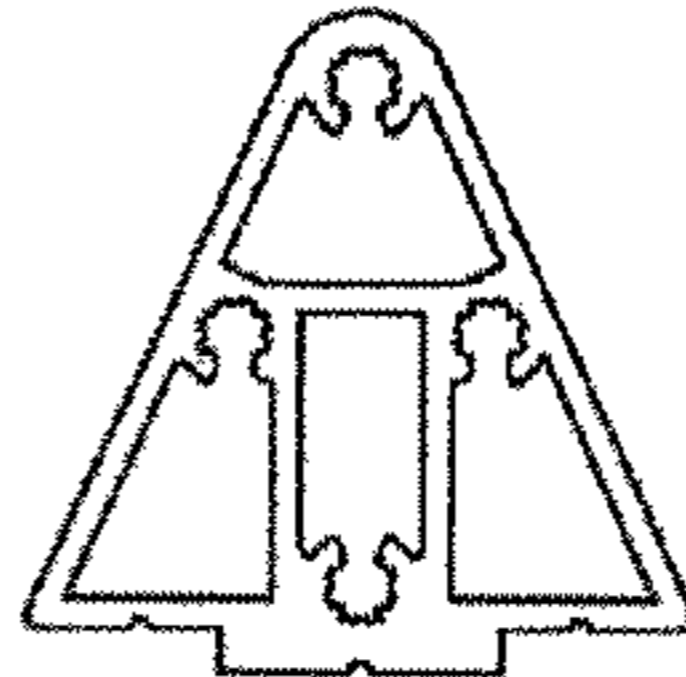


FIG.3

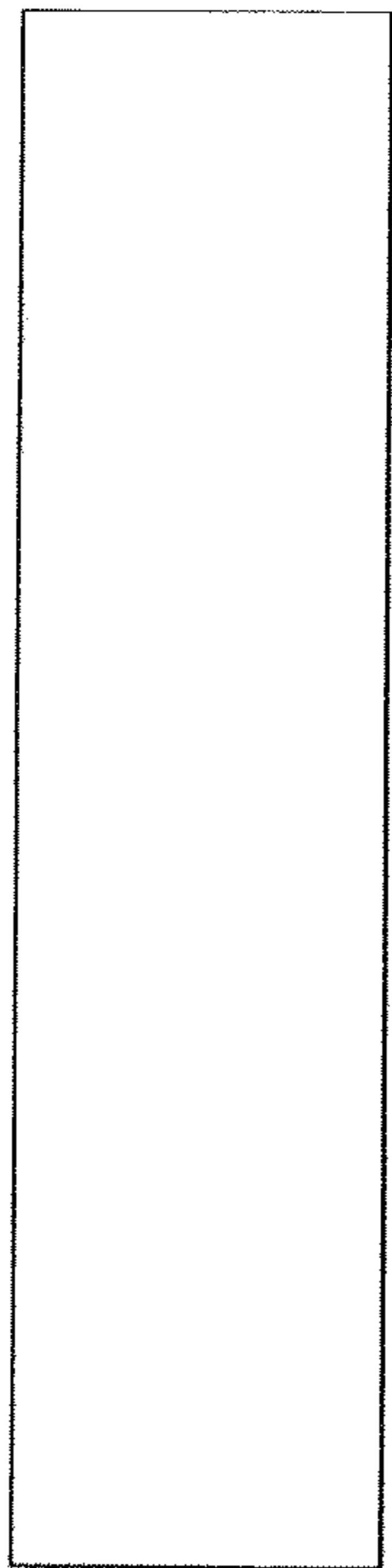


FIG.4

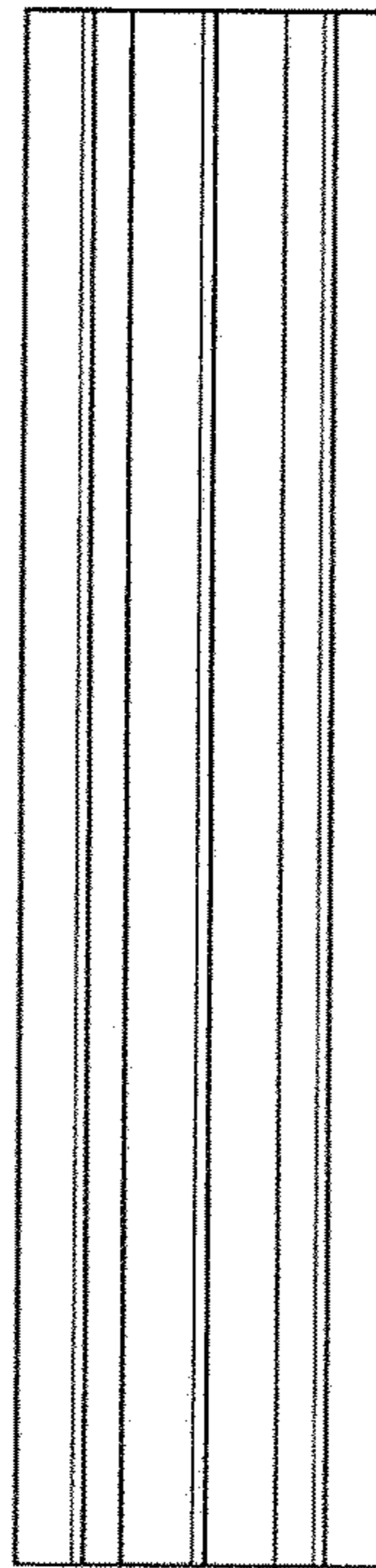


FIG.5

