



US00D747126S

(12) **United States Design Patent**
Letinic et al.

(10) **Patent No.:** **US D747,126 S**
(45) **Date of Patent:** **** Jan. 12, 2016**

- (54) **DISPLAY TAB AND A TAB ACCUMULATION RING**
- (71) Applicant: **Mohawk Carpet Distribution, Inc.**,
Calhoun, GA (US)
- (72) Inventors: **Ivan Letinic**, Manalapan, NJ (US);
Jacob Donadee, Philadelphia, PA (US);
Owen McCormick, Philadelphia, PA (US)
- (73) Assignee: **Mohawk Carpet Distribution, Inc.**,
Calhoun, GA (US)
- (**) Term: **14 Years**
- (21) Appl. No.: **29/502,797**
- (22) Filed: **Sep. 19, 2014**
- (51) **LOC (10) Cl.** **06-06**
- (52) **U.S. Cl.**
USPC **D6/680.2**
- (58) **Field of Classification Search**
USPC D6/315-328, 678, 678.02, 679; D8/373
CPC A47G 25/743; A47G 25/1457; A47F 7/08;
A47F 7/19
See application file for complete search history.

D331,425 S *	12/1992	Rhyne	D20/42
D337,338 S *	7/1993	Chang	D3/266
D366,010 S *	1/1996	Yuuki	D11/221
D366,230 S *	1/1996	Aoki	D11/221
D440,873 S *	4/2001	Van Horn	D9/415
D507,417 S *	7/2005	Franzone, Jr.	D6/317
D557,634 S *	12/2007	Ohgaku	D11/221
D559,733 S *	1/2008	Yamamoto	D11/221
D563,829 S *	3/2008	Lobel	D11/221
D575,190 S *	8/2008	Keyaki	D11/221
D608,244 S *	1/2010	Lobel	D11/221
D624,807 S *	10/2010	Barrese	D8/373
D624,808 S *	10/2010	Krawczak	D8/373
D629,716 S *	12/2010	Fujita	D11/221
D631,732 S *	2/2011	Krawczak	D8/373
D671,449 S *	11/2012	Miyazaki	D11/221
D674,318 S *	1/2013	Chuan	D11/221
D703,750 S *	4/2014	Tsai	D19/99
D708,861 S *	7/2014	Doenges	D6/315

* cited by examiner

Primary Examiner — Kelley Donnelly

(74) Attorney, Agent, or Firm — Alston & Bird LLP

(57) **CLAIM**

The ornamental design for a display tab and a tab accumulation ring, as shown and described.

DESCRIPTION

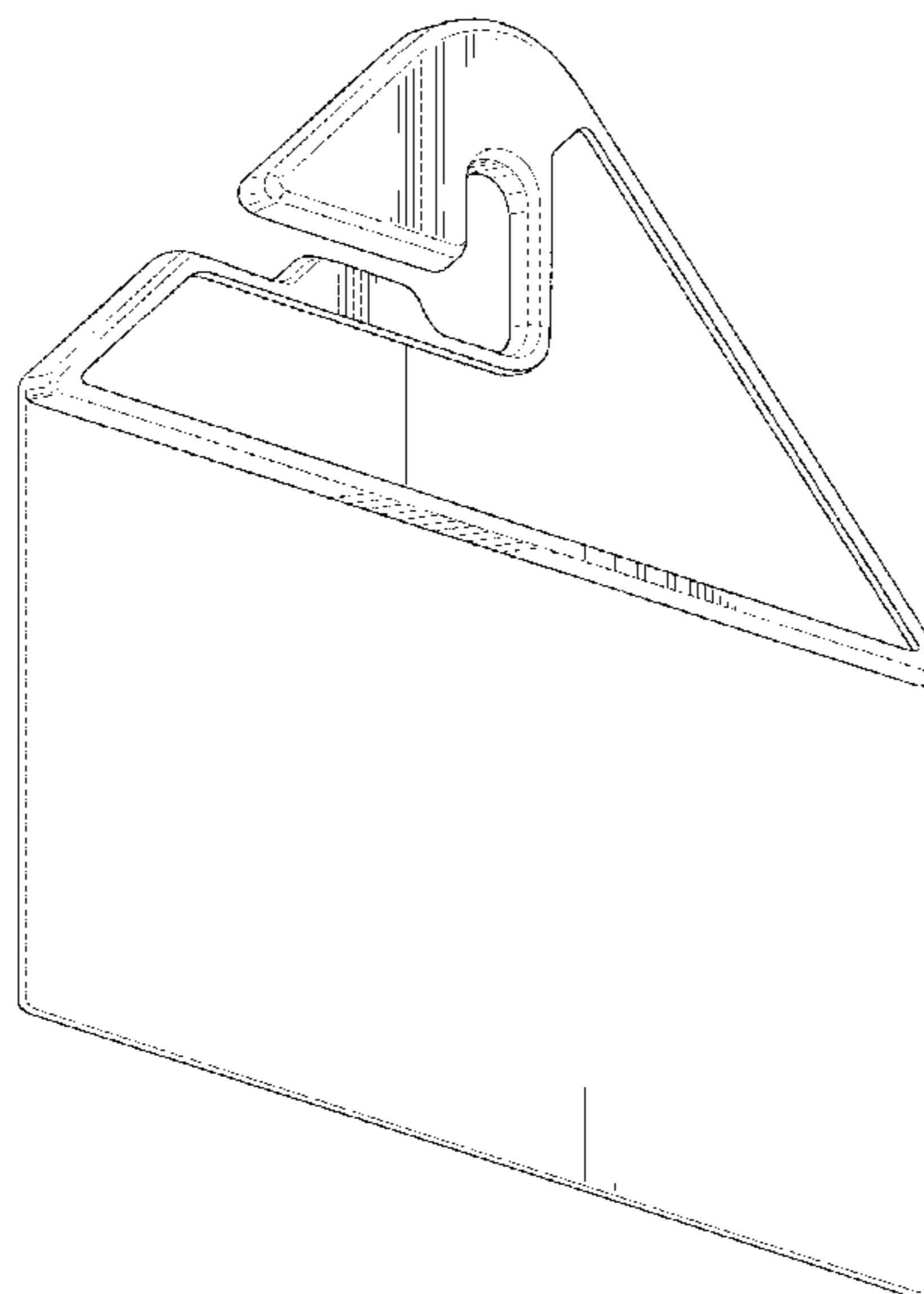
FIG. 1 is a perspective view of a tab according to our invention;
 FIG. 2 is a front plan view of the tab of FIG. 1;
 FIG. 3 is a rear plan view of the tab of FIG. 1;
 FIG. 4 is a left side view of the tab of FIG. 1;
 FIG. 5 is a right side view of the tab of FIG. 1;
 FIG. 6 is a top plan view the tab of FIG. 1; and,
 FIG. 7 is a bottom plan view the tab of FIG. 1.

1 Claim, 5 Drawing Sheets

(56) **References Cited**

U.S. PATENT DOCUMENTS

D243,991 S *	4/1977	Schmidt, Jr.	D6/327
D261,867 S *	11/1981	Hasegawa	D9/438
D264,815 S *	6/1982	Lincoln	D9/415
D283,273 S *	4/1986	Rhyne	D6/327
D321,288 S *	11/1991	Nichol, Jr.	D6/315
D324,354 S *	3/1992	Oya	D11/221
D330,157 S *	10/1992	Peters	D6/315



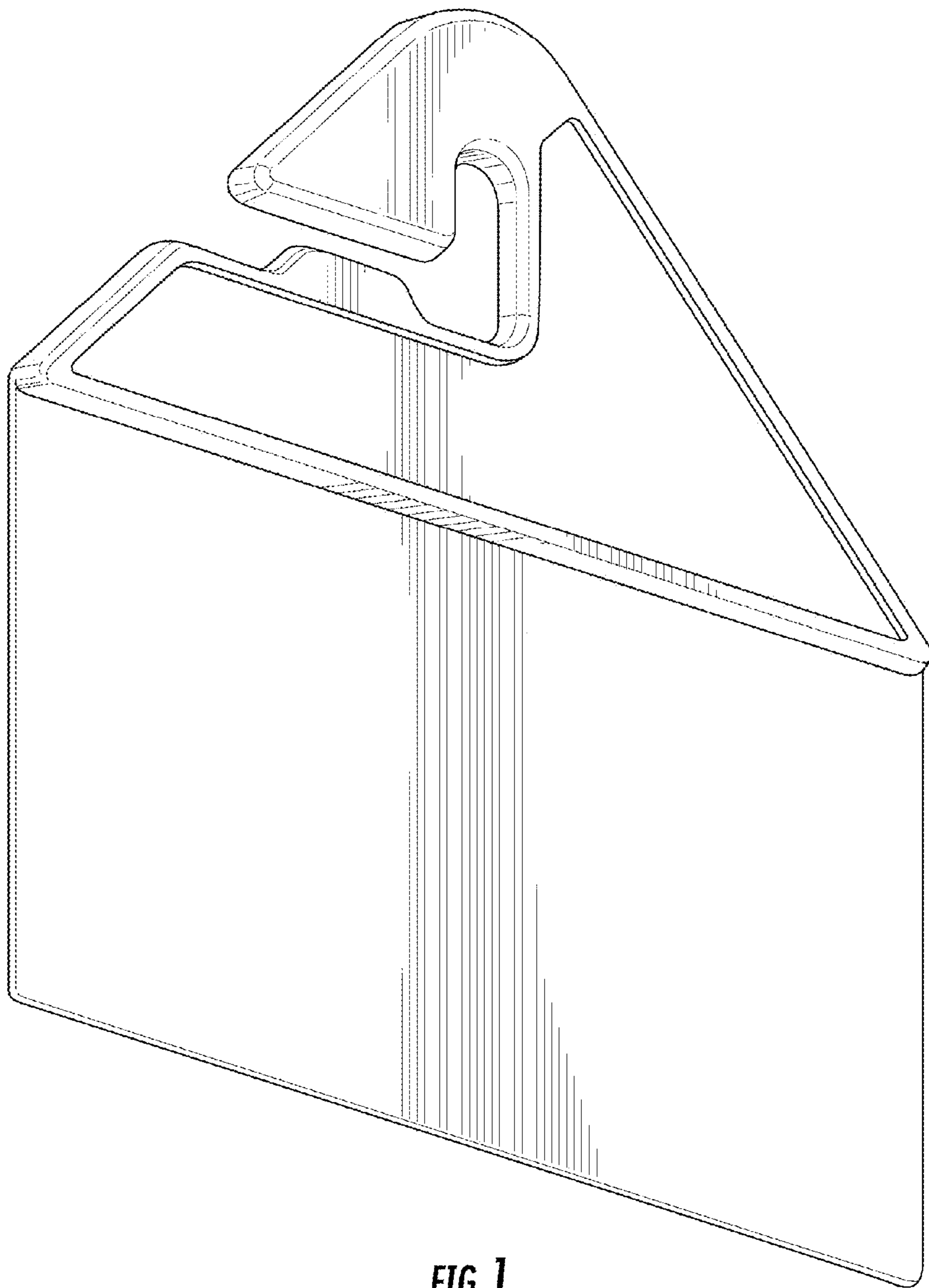


FIG. 1

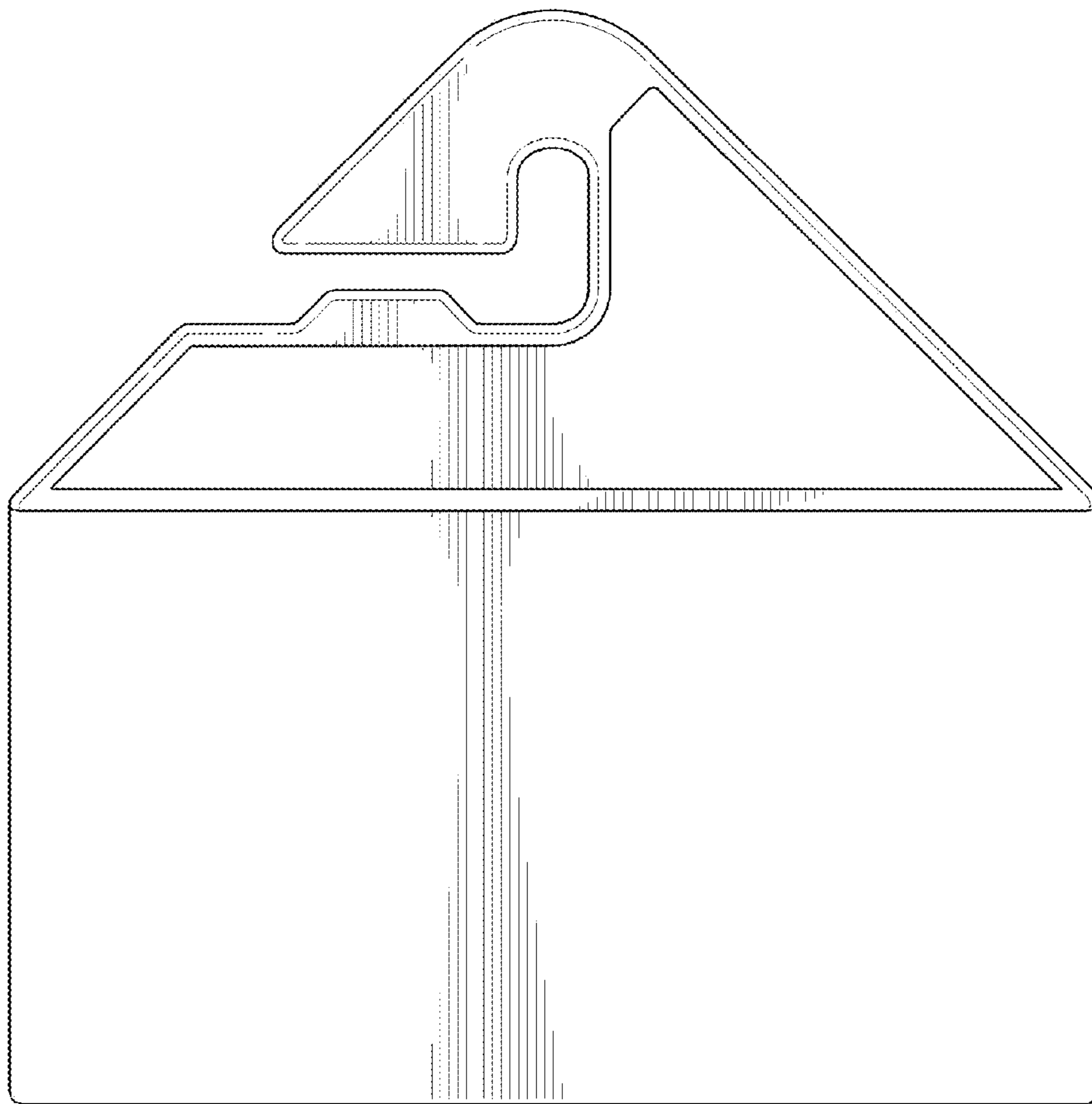


FIG. 2

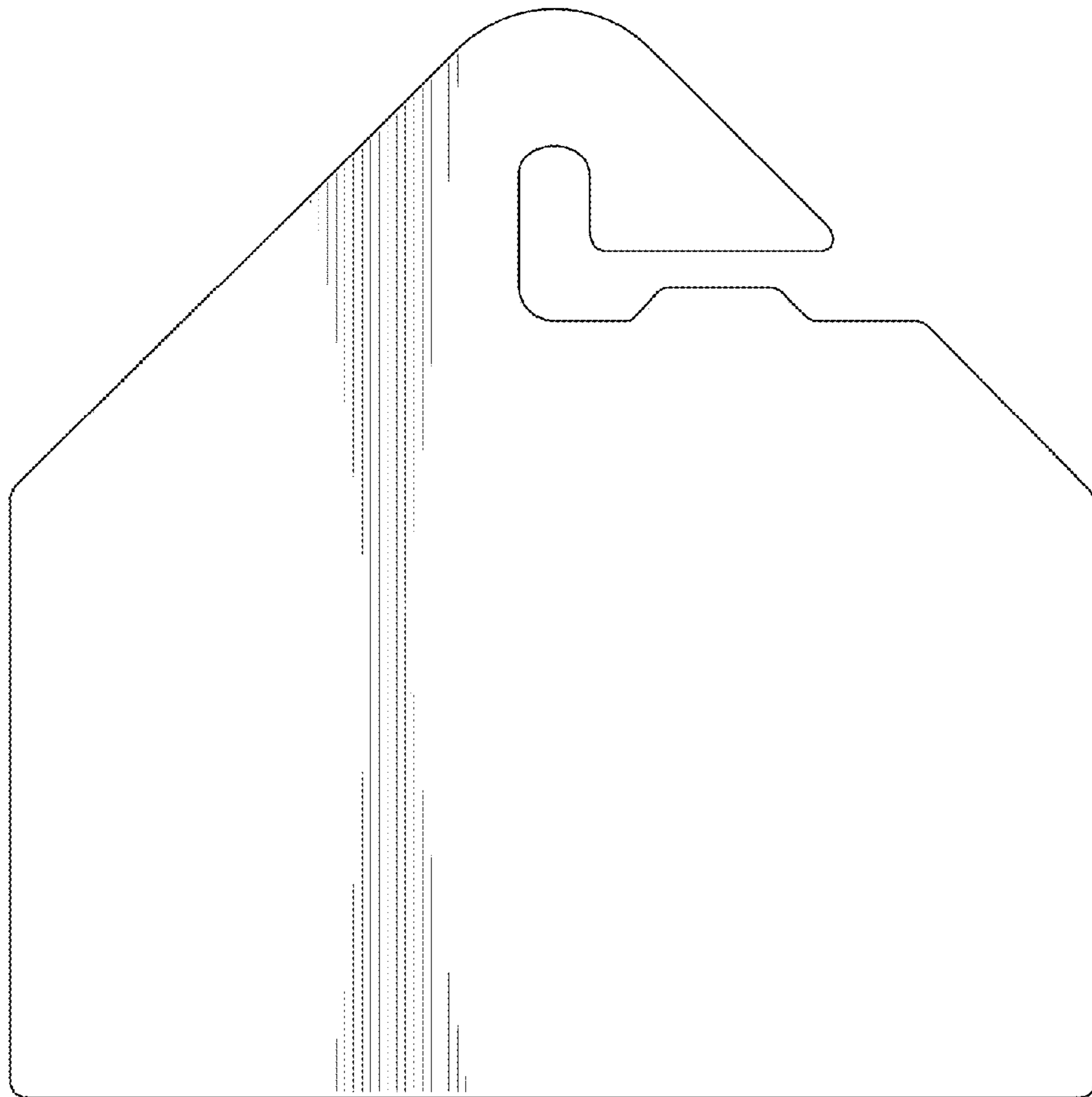


FIG. 3



FIG. 4

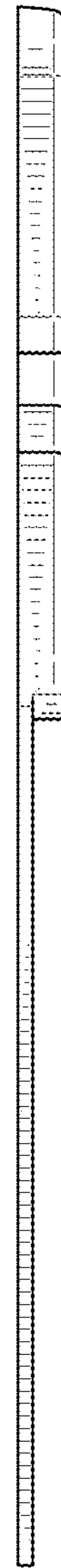


FIG. 5

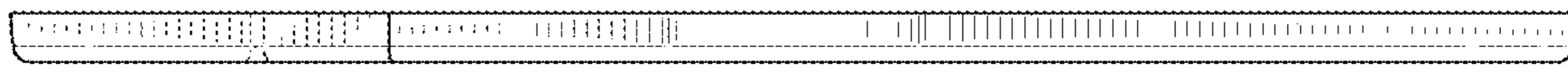


FIG. 6



FIG. 7