



US00D747125S

(12) **United States Design Patent**  
**Clark et al.**

(10) **Patent No.:** **US D747,125 S**  
(45) **Date of Patent:** **\*\* Jan. 12, 2016**

- (54) **DISPLAY UNIT**
- (71) Applicant: **Target Brands, Inc.**, Minneapolis, MN (US)
- (72) Inventors: **Jeremy A. Clark**, Minneapolis, MN (US); **Timothy J. Martell**, Brooklyn Park, MN (US); **Jason W. Johnson**, Wayzata, MN (US)
- (73) Assignee: **Target Brands, Inc.**, Minneapolis, MN (US)
- (\*\*) Term: **14 Years**
- (21) Appl. No.: **29/502,317**
- (22) Filed: **Sep. 15, 2014**
- (51) **LOC (10) Cl.** ..... **06-06**
- (52) **U.S. Cl.**  
USPC ..... **D6/675**
- (58) **Field of Classification Search**  
USPC ..... D6/552, 670, 672, 675, 682.2, 683, D6/708; D13/184; D16/215; D24/177, 185  
CPC ..... A47F 1/00; A47F 5/025; A47F 9/00  
See application file for complete search history.

- D488,653 S \* 4/2004 Ruff ..... D6/513
- D499,589 S \* 12/2004 Ruff ..... D6/513
- 6,877,824 B2 4/2005 Winkless
- D538,088 S \* 3/2007 Ruff ..... D6/513
- 7,296,372 B2 11/2007 Clark et al.
- 7,478,732 B2 \* 1/2009 Brownfield ..... A47F 7/08  
211/85.26
- D607,670 S \* 1/2010 Trinh ..... D6/672
- 7,661,214 B2 2/2010 Clark et al.
- D613,980 S \* 4/2010 Bucholz ..... D6/514
- 7,900,385 B2 3/2011 Clark et al.
- 7,922,492 B2 4/2011 Nielsen et al.

(Continued)

**OTHER PUBLICATIONS**

Pending U.S. Appl. No. 14/486,180, filed Sep. 15, 2014, entitled Modular Display Unit, 30 pages.

(Continued)

*Primary Examiner* — Kelley Donnelly

(74) *Attorney, Agent, or Firm* — Leanne Taveggia Farrell; Westman, Champlin & Koehler, P.A.

(57) **CLAIM**

The ornamental design for a display unit, as shown and described.

**DESCRIPTION**

FIG. 1 is a perspective view of a first embodiment of a display unit with environment showing our new design; FIG. 2 is a perspective view thereof without environment; FIG. 3 is a left side view thereof, the right side view being a mirror image; FIG. 4 is an enlarged detail taken from FIG. 3; FIG. 5 is a front view thereof; FIG. 6 is a back view thereof; and, FIG. 7 is a top view thereof.

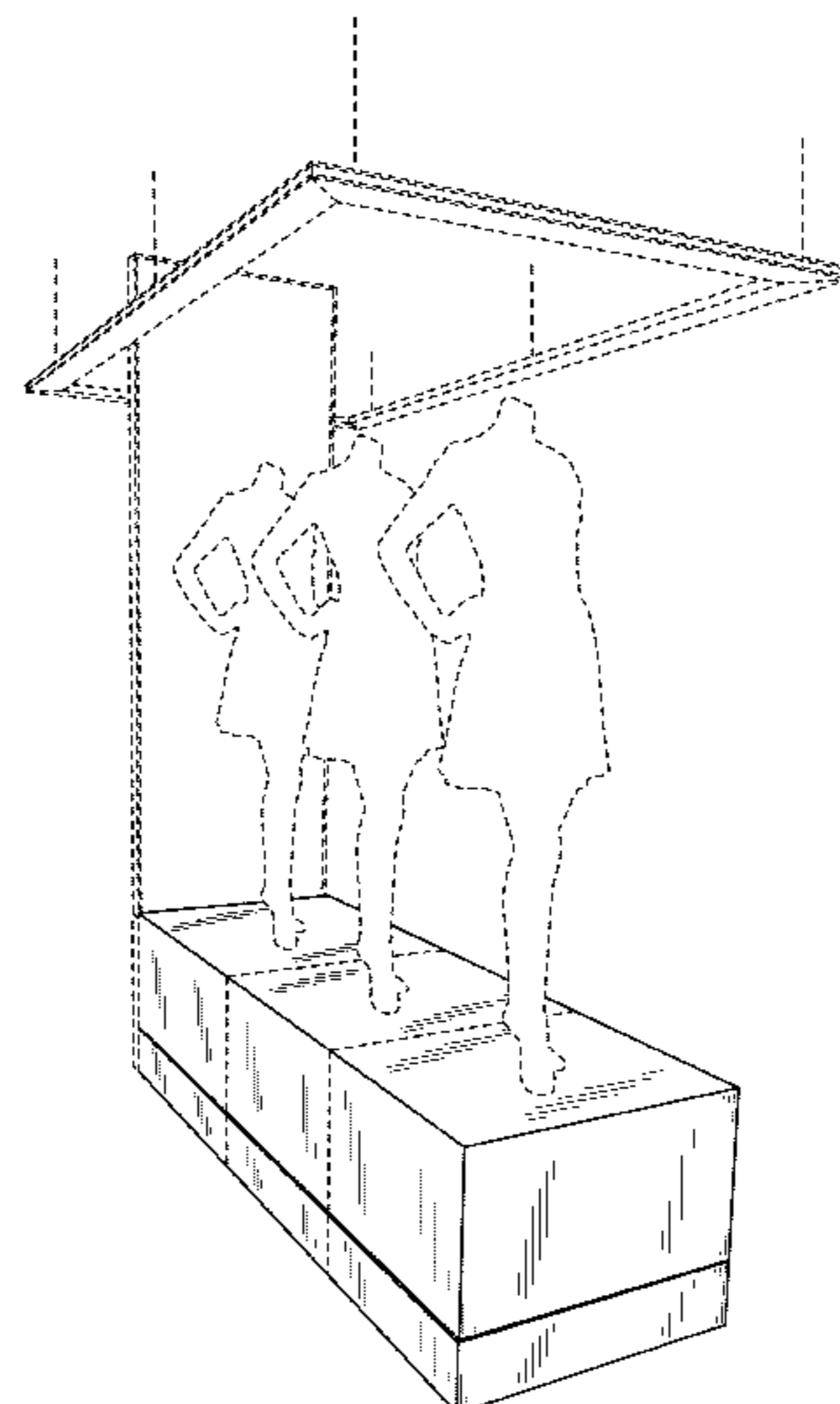
The broken lines shown in the drawings are included for purposes of illustrating environment or portions of the display unit and form no part of the claimed design.

**1 Claim, 3 Drawing Sheets**

(56) **References Cited**

**U.S. PATENT DOCUMENTS**

- 3,316,041 A 4/1967 Nelson
- 3,563,624 A 2/1971 Stice
- 3,941,247 A 3/1976 Cripe
- 4,136,623 A \* 1/1979 Dickson ..... A47B 47/04  
108/186
- 4,560,257 A 12/1985 Otema
- D290,204 S \* 6/1987 Bruget ..... D6/675.1
- D294,090 S \* 2/1988 Robertson ..... D6/675.1
- D300,289 S 3/1989 Walter
- 4,903,451 A 2/1990 Gresswell
- D307,718 S 5/1990 Tabler
- D334,495 S \* 4/1993 Bustos ..... D15/83
- D336,803 S \* 6/1993 Stoddard ..... D6/660
- D434,929 S \* 12/2000 Heiny ..... D6/675.1



(56)

**References Cited**

U.S. PATENT DOCUMENTS

D642,824 S \* 8/2011 Theisen ..... D6/675  
 7,988,244 B2 8/2011 Haws, Jr.  
 D648,548 S 11/2011 Winer et al.  
 8,113,600 B2 2/2012 Zalewski et al.  
 D670,111 S 11/2012 McNamara  
 D671,334 S 11/2012 Levi et al.  
 8,312,610 B2 11/2012 Clark et al.  
 D677,076 S 3/2013 Olson  
 D688,494 S \* 8/2013 Hamm ..... D6/672  
 8,573,716 B2 11/2013 Zalewski  
 D708,672 S 7/2014 Denby et al.  
 D718,560 S \* 12/2014 Denby ..... D6/708  
 D722,242 S \* 2/2015 Feldman ..... D6/672  
 D730,662 S \* 6/2015 Trinh ..... D6/672  
 2002/0084726 A1 7/2002 O'Neill et al.

2007/0007865 A1 1/2007 Kang  
 2007/0181515 A1 8/2007 Levi et al.  
 2011/0179979 A1 7/2011 Nielsen et al.  
 2014/0252047 A1 9/2014 Clark et al.

OTHER PUBLICATIONS

Pending U.S. Appl. No. 29/502,318, filed Sep. 15, 2014, entitled Display Unit, 20 pages.  
 Pending U.S. Appl. No. 29/502,320, filed Sep. 15, 2014, entitled Display Unit, 9 pages.  
 Pending U.S. Appl. No. 29/502,321, filed Sep. 15, 2014, entitled Display Unit, 13 pages.  
 Pending U.S. Appl. No. 29/502,322, filed Sep. 15, 2014, entitled Display Unit, 24 pages.  
 Office Action from Canadian Patent Application No. 159,860, mailed May 20, 2015 (2 pages).

\* cited by examiner

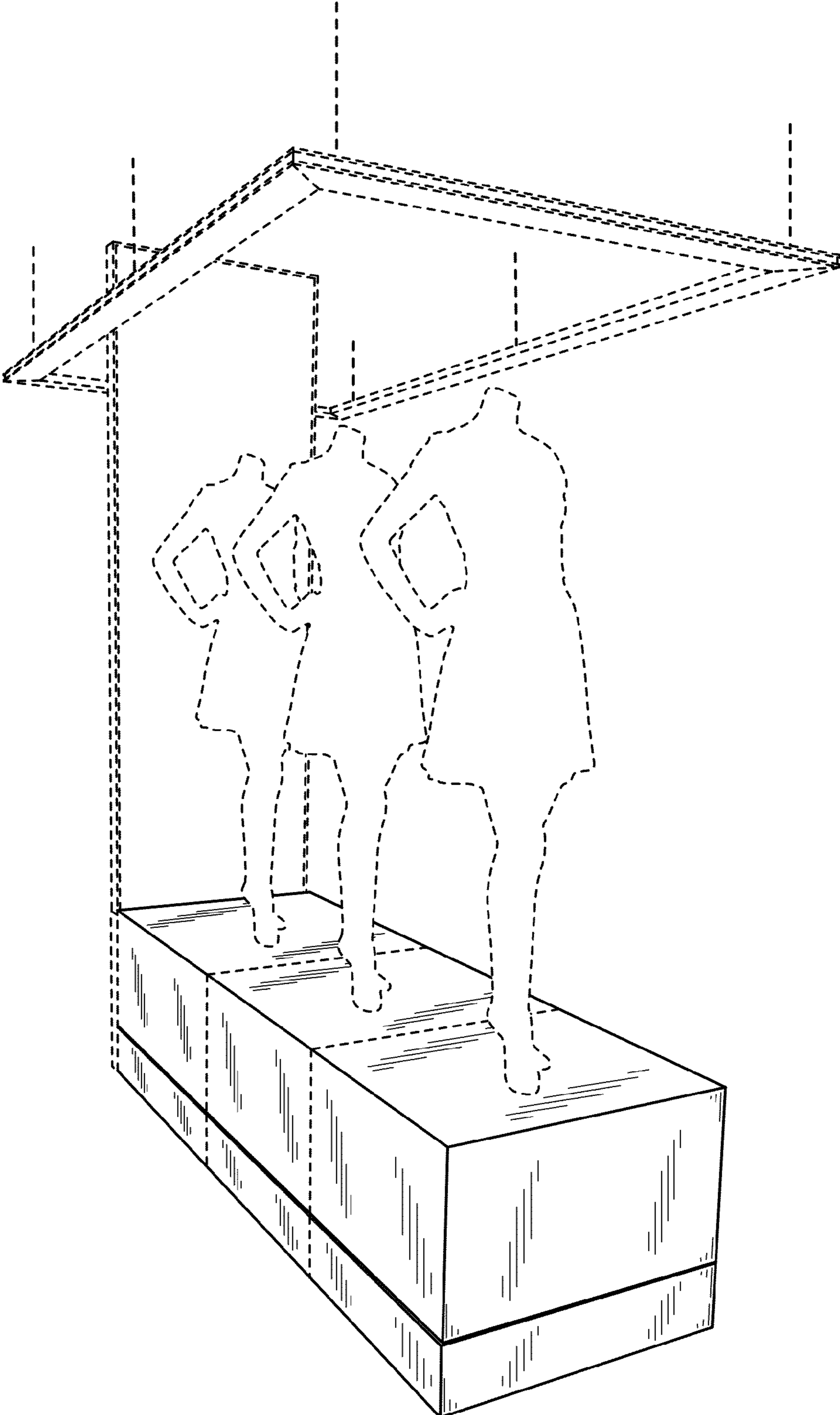


Fig. 1

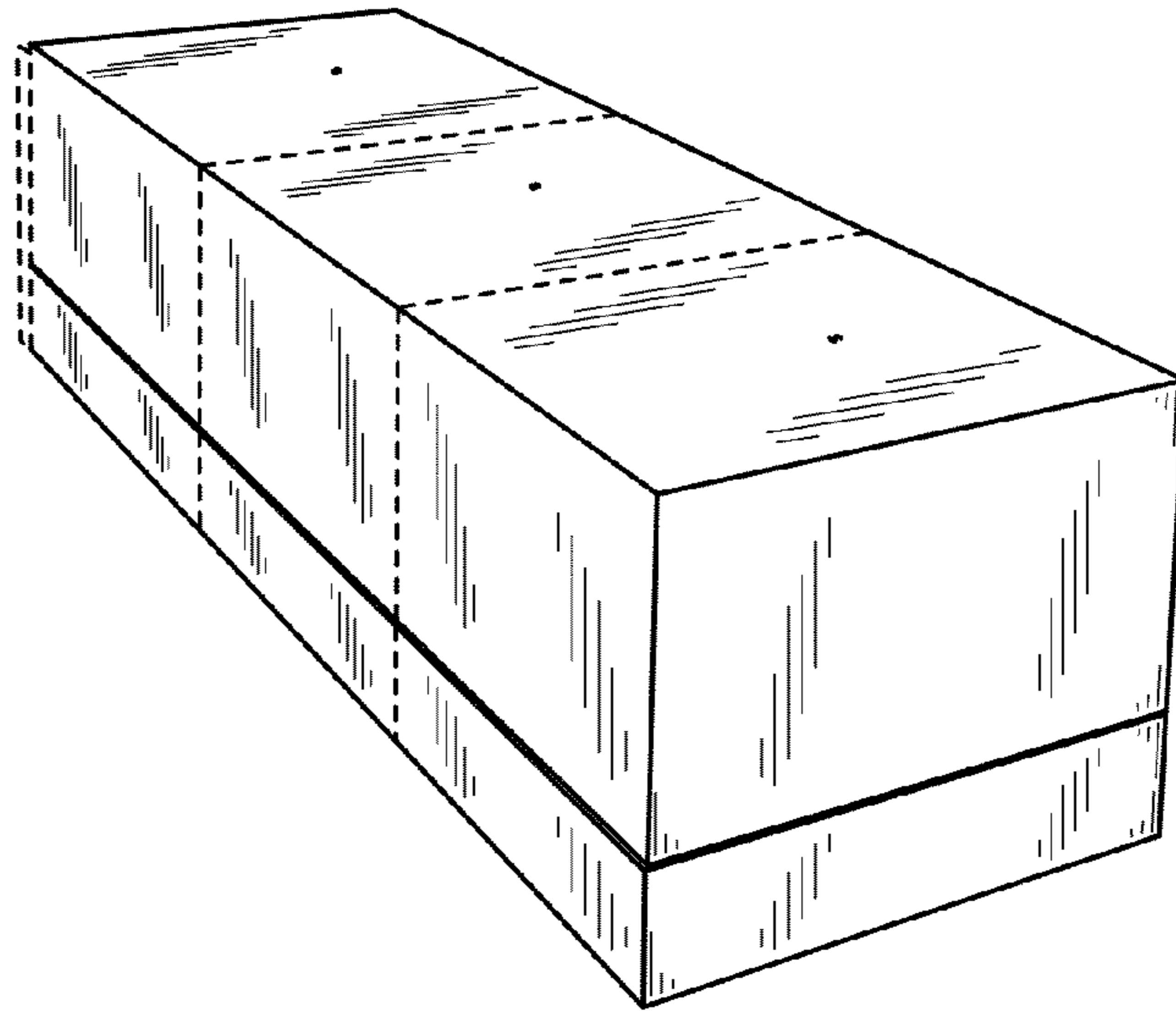


Fig. 2

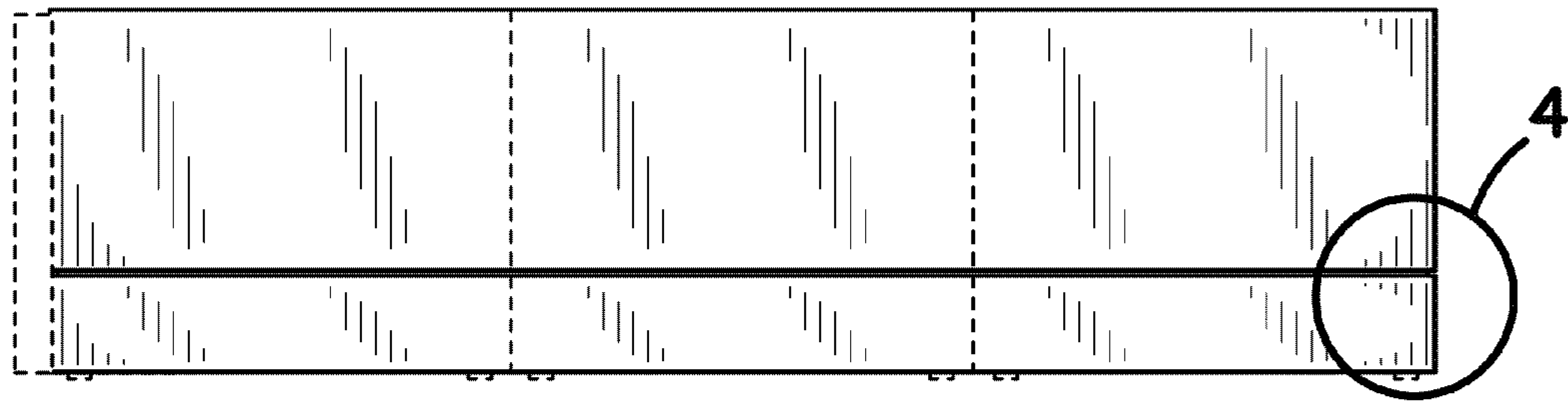


Fig. 3

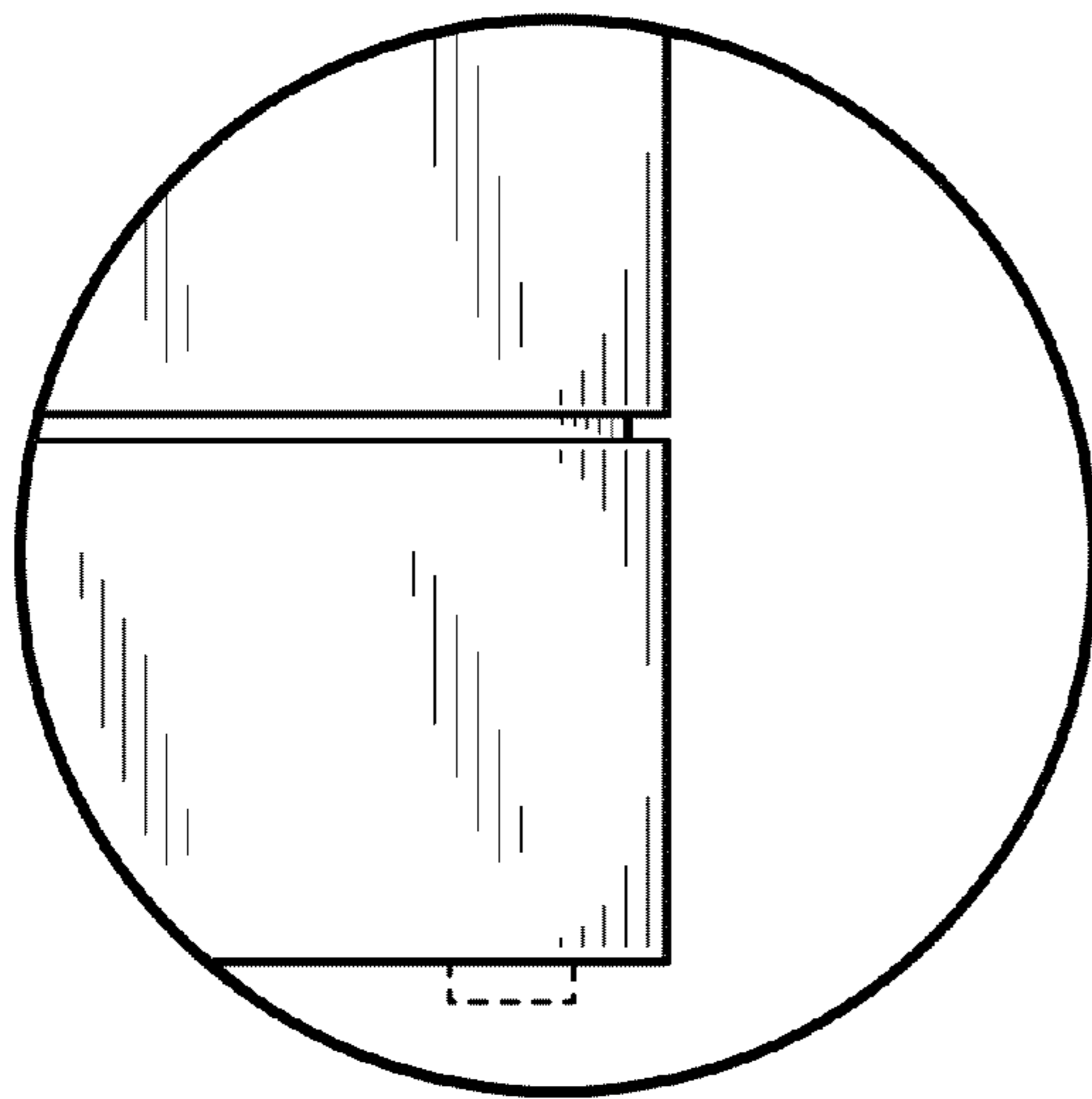


Fig. 4

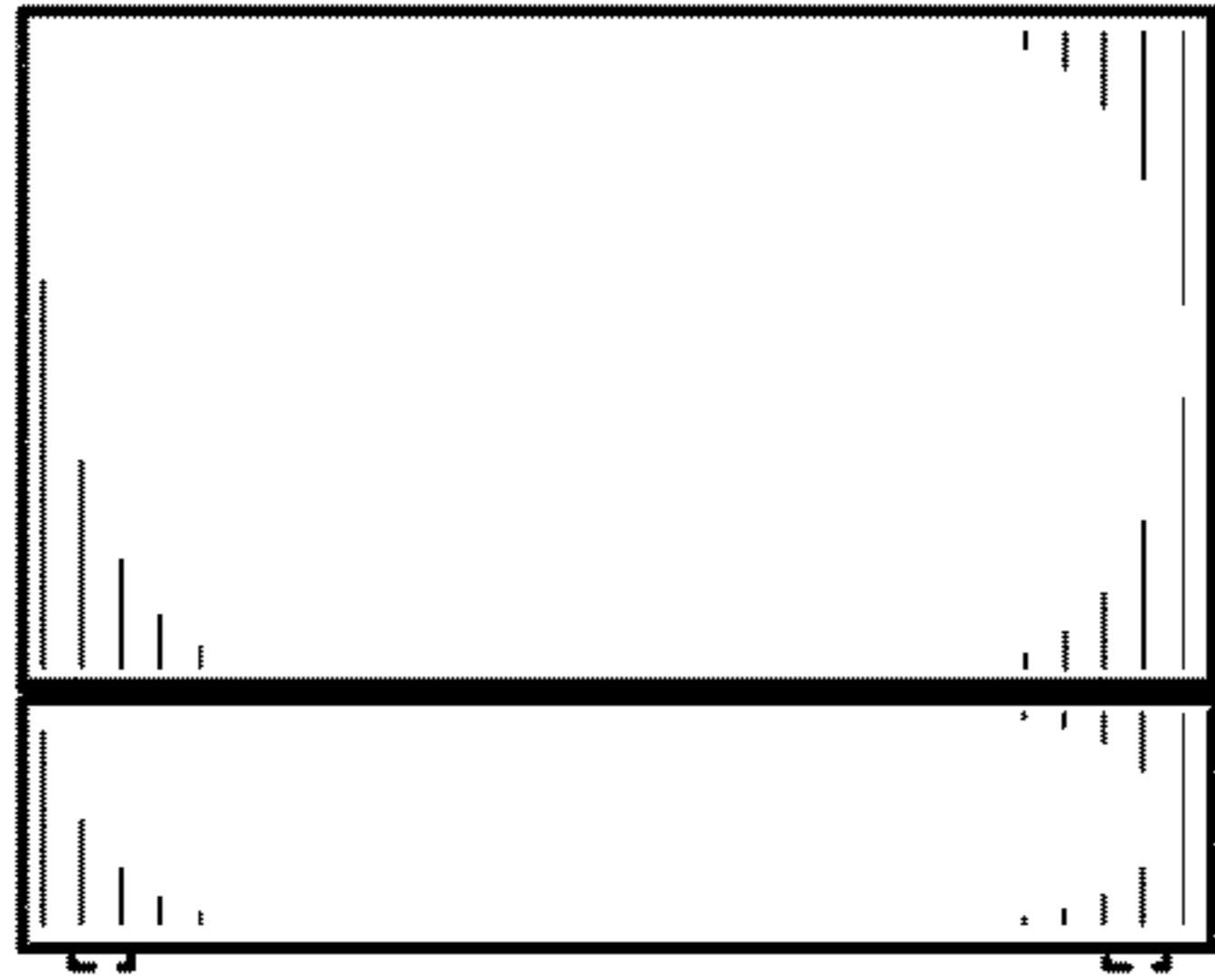


Fig. 5

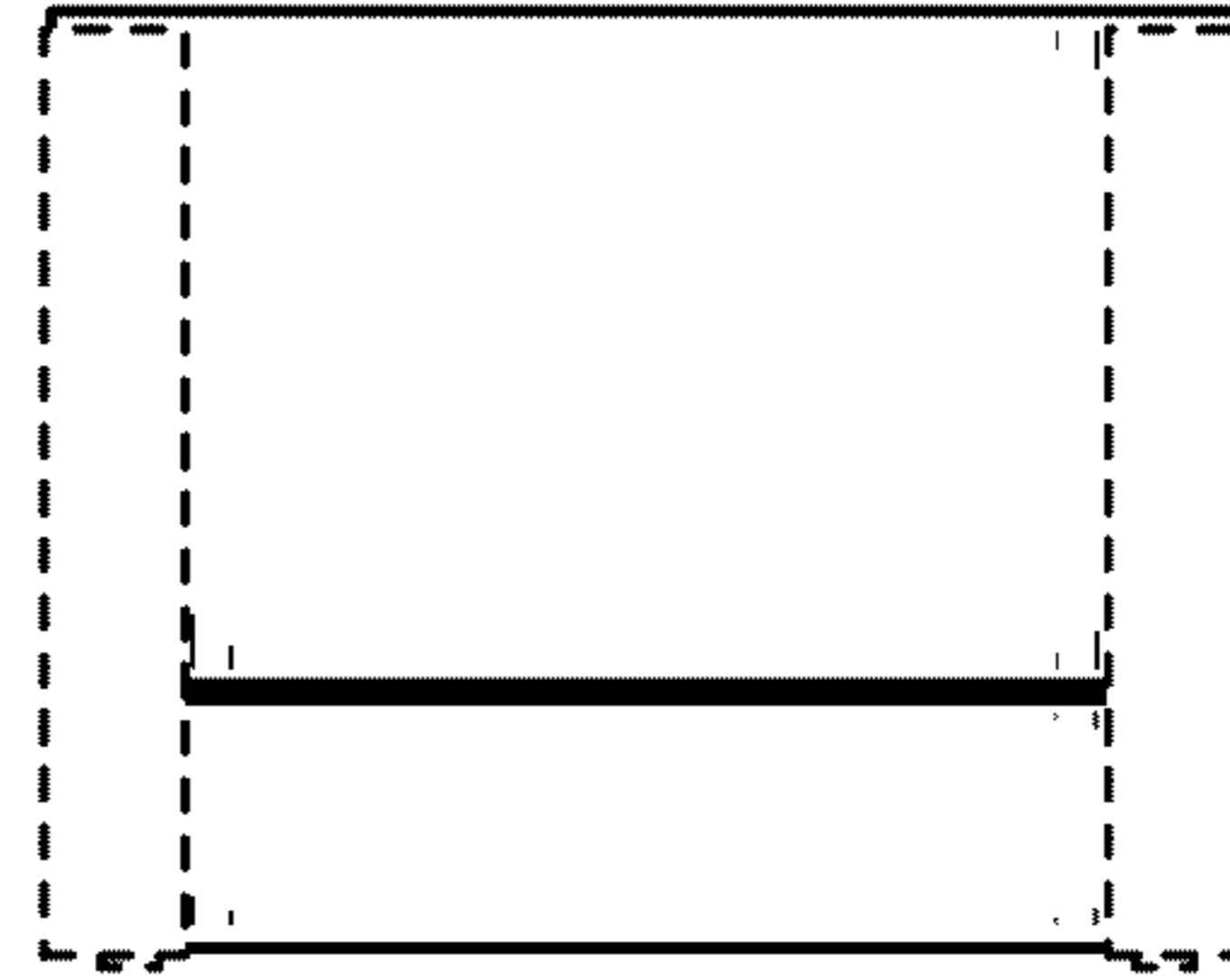


Fig. 6

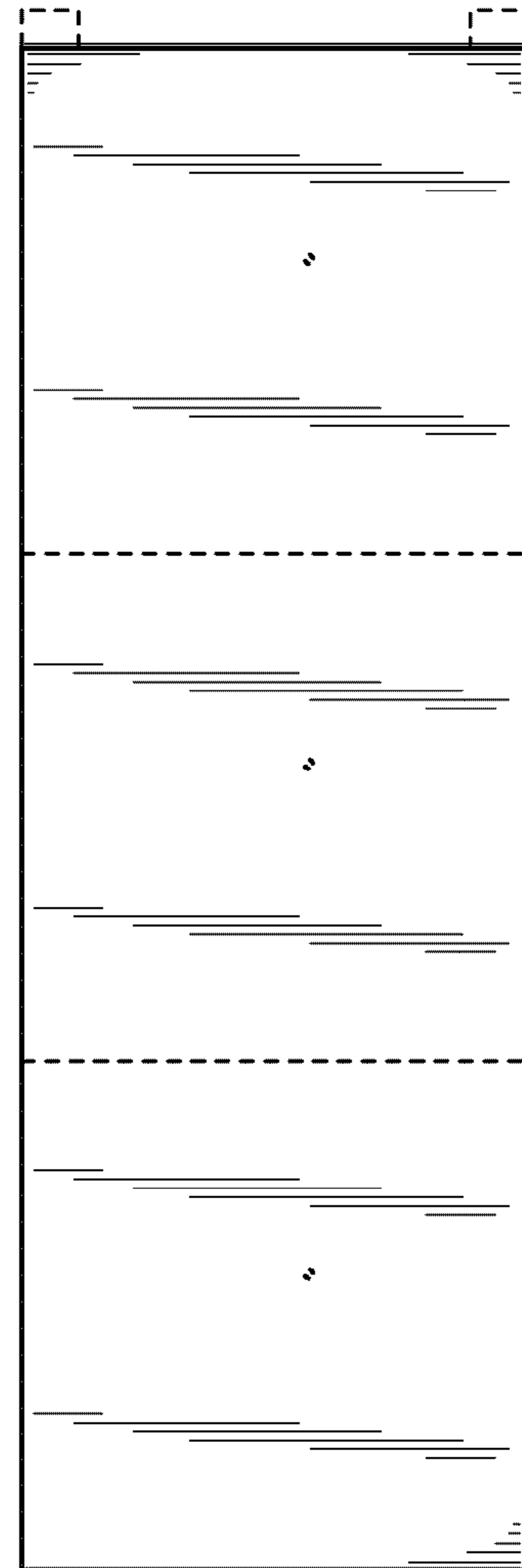


Fig. 7