



US00D747123S

(12) **United States Design Patent**
Zambelli

(10) **Patent No.:** **US D747,123 S**
(45) **Date of Patent:** **** Jan. 12, 2016**

- (54) **AUDIO VIDEO SHELVING UNIT**
- (71) Applicant: **Bell'O International Corp.**,
Morganville, NJ (US)
- (72) Inventor: **Michael P. Zambelli**, Basking Ridge, NJ
(US)
- (73) Assignee: **Twin-Star International, Inc.**, Delray
Beach, FL (US)

- D497,061 S 10/2004 Decarolis
- D505,573 S 5/2005 Malizia
- D506,329 S 6/2005 Sexton
- D507,433 S 7/2005 Portnoy
- D507,900 S 8/2005 Sexton
- D508,172 S 8/2005 Malizia et al.
- D515,337 S 2/2006 deCarolis
- D515,849 S 2/2006 Niu
- D516,838 S 3/2006 Portnoy
- D516,840 S 3/2006 deCarolis
- D516,847 S 3/2006 Stenhouse et al.
- D519,757 S 5/2006 Portnoy

(**) Term: **14 Years**

(Continued)

- (21) Appl. No.: **29/500,394**
- (22) Filed: **Aug. 25, 2014**
- (51) **LOC (10) Cl.** **06-04**
- (52) **U.S. Cl.**
USPC **D6/660**
- (58) **Field of Classification Search**
USPC D6/657, 660, 661, 662, 662.1
CPC A47B 17/04; A47B 47/03; A47B 81/06;
A47B 83/00; A47F 3/00; A47F 3/005
See application file for complete search history.

OTHER PUBLICATIONS

Bell'O 2011-12 Product Catalog.

Primary Examiner — Mimosa De

(74) *Attorney, Agent, or Firm* — Lerner, David, Littenberg,
Krumholz & Mentlik, LLP

(57) **CLAIM**

The ornamental design for audio video shelving unit, as shown and described.

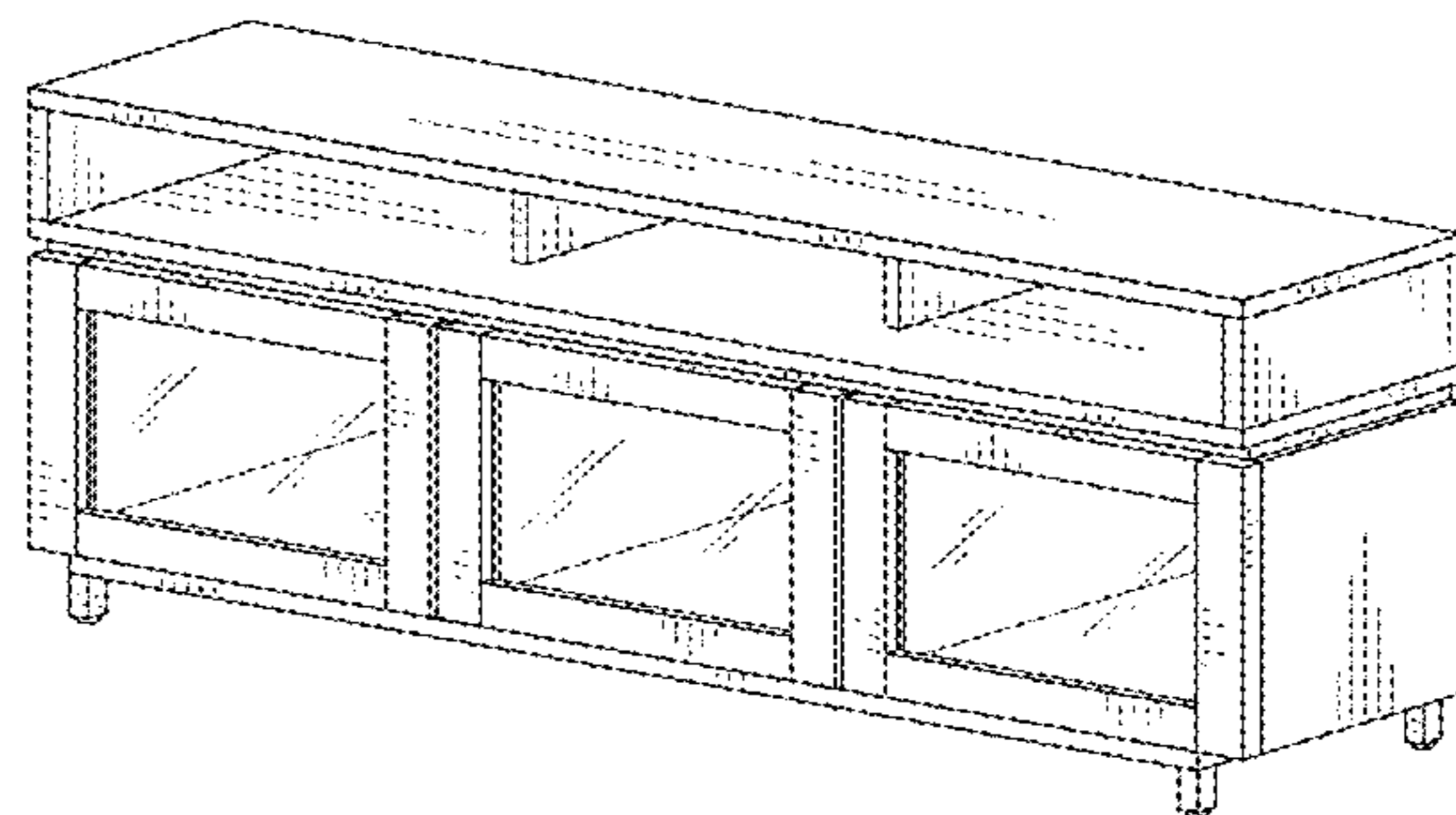
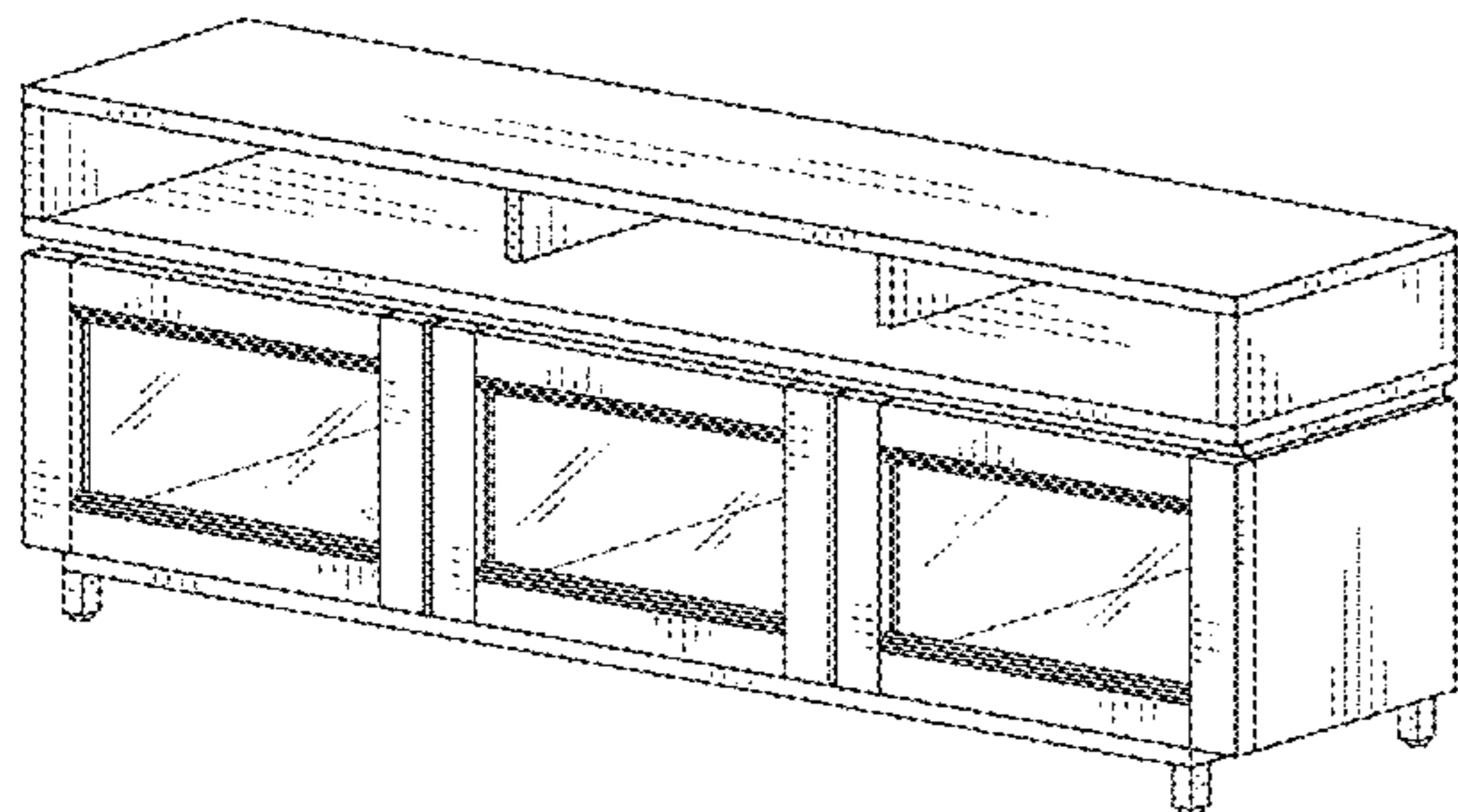
DESCRIPTION

FIG. 1 is a front perspective view of a first embodiment of the audio video shelving unit;
 FIG. 2 is a front elevational view thereof;
 FIG. 3 is a rear elevational view thereof;
 FIG. 4 is a right side view thereof (the left side being a mirror image of the right side view);
 FIG. 5 is a top plan view thereof;
 FIG. 6 is a front perspective view of a second embodiment of the audio video shelving unit; and,
 FIG. 7 is a front elevational view of the embodiment shown in FIG. 6 (all other views of the second embodiment having the same appearance as FIGS. 3, 4, and 5).
 The broken lines shown on the drawings are included for the purpose of illustration and form no part of the claimed design.

(56) **References Cited**
U.S. PATENT DOCUMENTS

- D454,731 S 3/2002 Niitsu et al.
- D458,053 S 6/2002 Luong
- D459,118 S 6/2002 Antonioni
- D472,073 S 3/2003 de Carolis
- D472,074 S 3/2003 de Carolis
- D472,075 S 3/2003 de Carolis
- D489,548 S 5/2004 Malizia et al.
- D491,748 S 6/2004 deCarolis
- D491,749 S 6/2004 Malizia et al.
- D491,750 S 6/2004 Bertoncini et al.
- D491,753 S 6/2004 deCarolis
- D492,860 S 7/2004 Bertoncini et al.
- D493,982 S 8/2004 deCarolis
- D496,807 S 10/2004 deCarolis
- D497,060 S 10/2004 Chang et al.

1 Claim, 5 Drawing Sheets



(56)

References Cited

U.S. PATENT DOCUMENTS

D524,080 S	7/2006	Stenhouse et al.	D619,827 S	7/2010	Sculler et al.
D524,578 S	7/2006	Stenhouse et al.	D619,828 S	7/2010	Connor et al.
D525,052 S	7/2006	Malizia et al.	D620,278 S	7/2010	Zambelli
D525,054 S	7/2006	Stenhouse et al.	D620,284 S	7/2010	Zambelli
D527,208 S	8/2006	Malizia et al.	D620,285 S	7/2010	Sculler et al.
D535,497 S	1/2007	Portnoy	D623,442 S	9/2010	Zambelli
D537,656 S	3/2007	Stenhouse et al.	D623,443 S	9/2010	Zambelli
D540,067 S	4/2007	Chung	D623,876 S	9/2010	Zambelli
D542,059 S	5/2007	Moyle et al.	D623,877 S	9/2010	Zambelli
D543,729 S	6/2007	Weatherly	D625,123 S	10/2010	Zambelli
D549,991 S	9/2007	Stravitz	D630,871 S	1/2011	Sexton
D554,393 S	11/2007	Yalif	D639,089 S	6/2011	Sexton
D555,397 S	11/2007	Yalif	D641,183 S	7/2011	Portnoy
D559,583 S	1/2008	Zambelli	D641,995 S	7/2011	Zambelli
D559,584 S	1/2008	Zambelli	D643,649 S	8/2011	Chung
D560,077 S	1/2008	Zambelli	D644,043 S	8/2011	Portnoy
D560,401 S	1/2008	Hoglan et al.	D644,454 S	9/2011	Chung
D562,593 S	2/2008	Zambelli	D646,910 S	10/2011	Portnoy
D563,695 S	3/2008	Yamaguchi	D648,573 S	11/2011	Sculler
D564,260 S	3/2008	deCarolis	D651,826 S	1/2012	Tseng et al.
D564,261 S	3/2008	Sculler	D653,057 S	1/2012	Sexton
D564,789 S	3/2008	deCarolis	D654,289 S	2/2012	Zambelli
D564,796 S	3/2008	Zambelli	D662,728 S	7/2012	Portnoy
D564,797 S	3/2008	Yamaguchi	D662,729 S	7/2012	Zambelli
D572,944 S	7/2008	Sexton	D663,135 S	7/2012	Zambelli
D587,483 S	3/2009	Zambelli	D663,137 S	7/2012	Andersen
D587,496 S	3/2009	Weitz	D663,138 S	7/2012	Andersen et al.
D587,497 S	3/2009	Zambelli	D663,139 S	7/2012	Zambelli
D589,280 S	3/2009	Zambelli	D663,551 S	7/2012	Zambelli et al.
D590,636 S	4/2009	Ou Yang et al.	D668,475 S	10/2012	Zambelli
D590,637 S	4/2009	Portnoy	D669,704 S	10/2012	Zambelli
D592,428 S	5/2009	Zambelli	D669,706 S	10/2012	Zambelli
D594,248 S	6/2009	Zambelli	D669,707 S	10/2012	Zambelli
D595,978 S	7/2009	Portnoy et al.	D671,337 S	11/2012	Sexton
D599,577 S *	9/2009	Lara D6/660	D671,338 S	11/2012	Sexton
D599,584 S	9/2009	Zambelli	D681,369 S	5/2013	Chung
D600,946 S	9/2009	Day	D681,977 S	5/2013	Zambelli et al.
D604,962 S	12/2009	Daud	D687,250 S *	8/2013	Weatherly D6/661
D605,874 S	12/2009	Zambelli	D690,141 S	9/2013	Zambelli
D610,836 S	3/2010	Kohler	D690,542 S	10/2013	Chung
D612,172 S	3/2010	Portnoy	D696,539 S	12/2013	Zambelli
D612,634 S	3/2010	Zambelli	D704,480 S	5/2014	Zambelli
D616,672 S	6/2010	Sculler et al.	D718,956 S *	12/2014	Helser D6/661
			D732,855 S *	6/2015	Helser D6/660

* cited by examiner

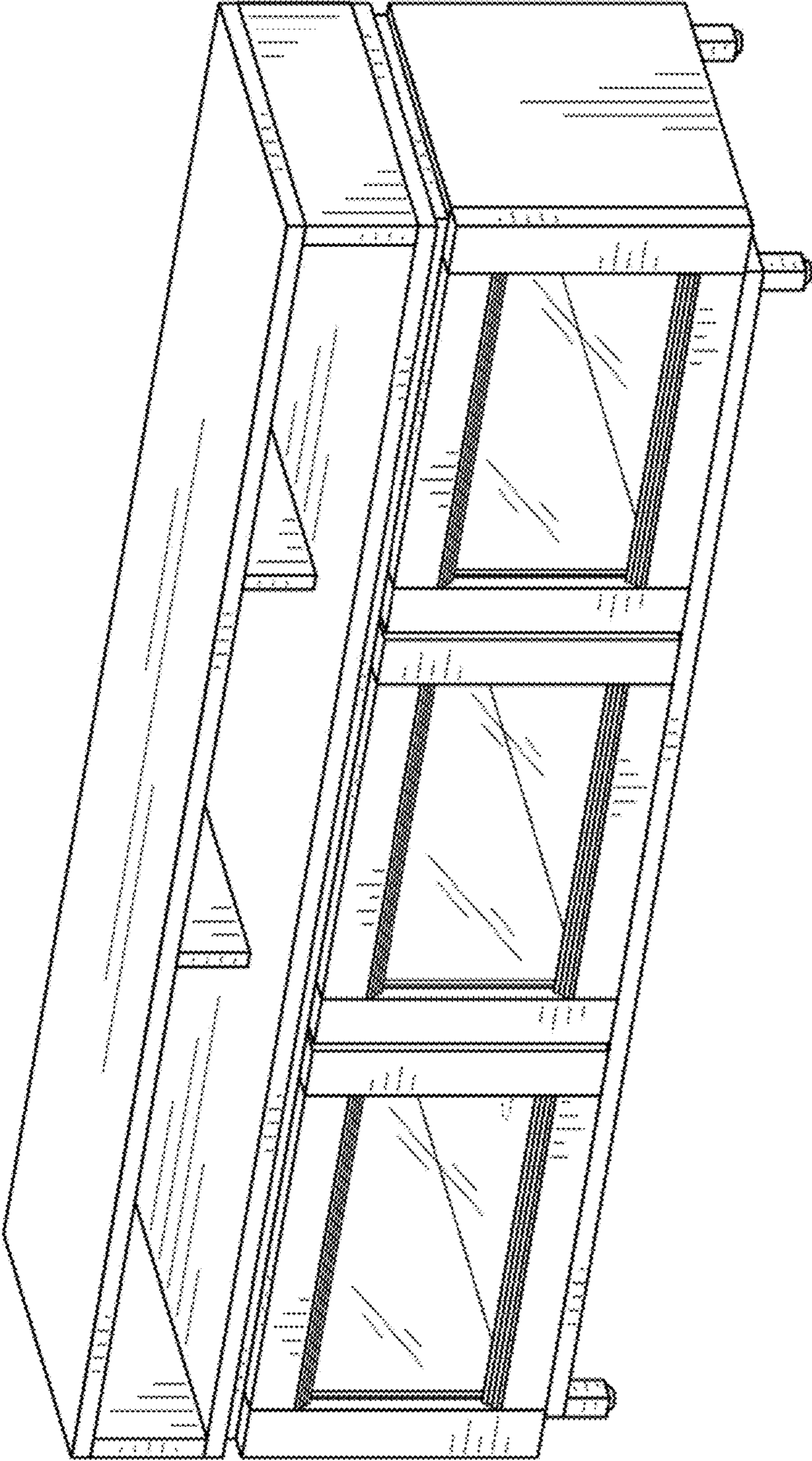


FIG. 1

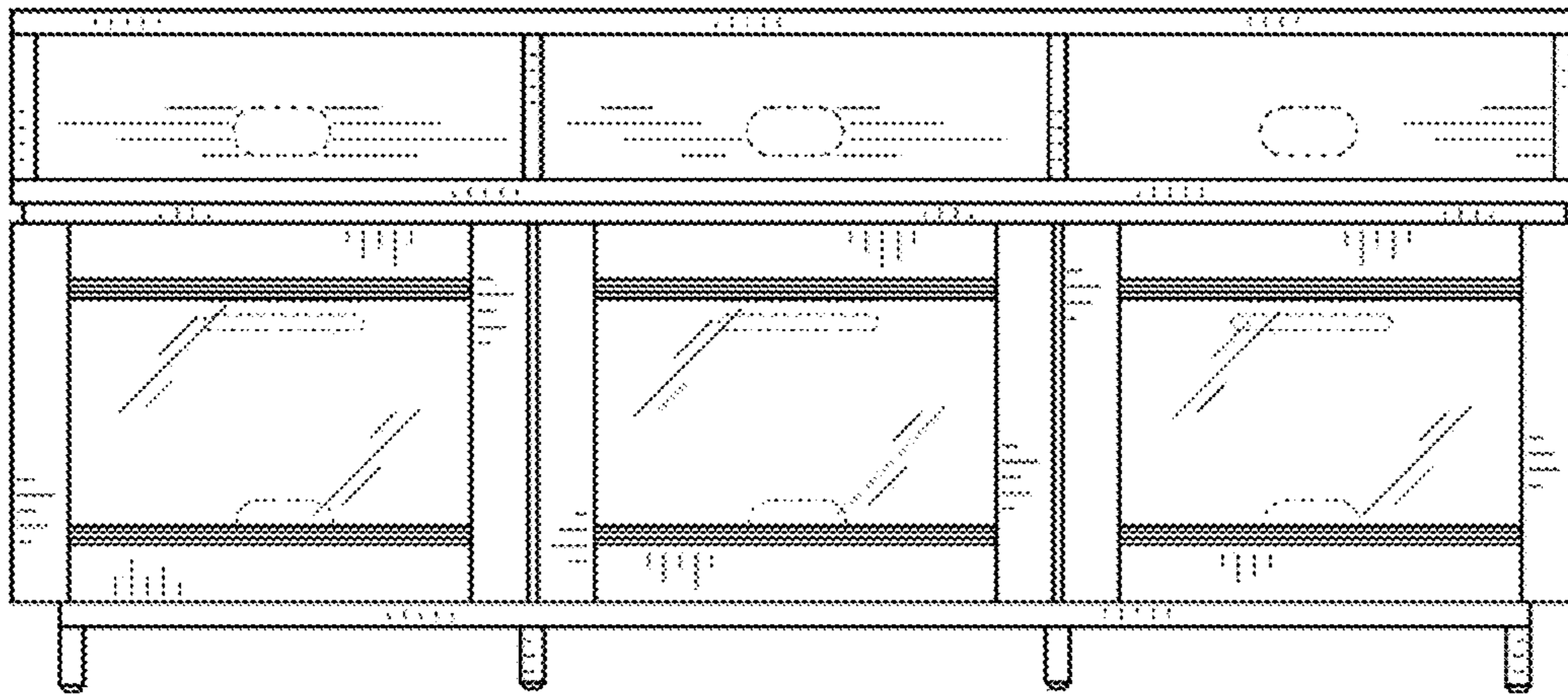


FIG. 2

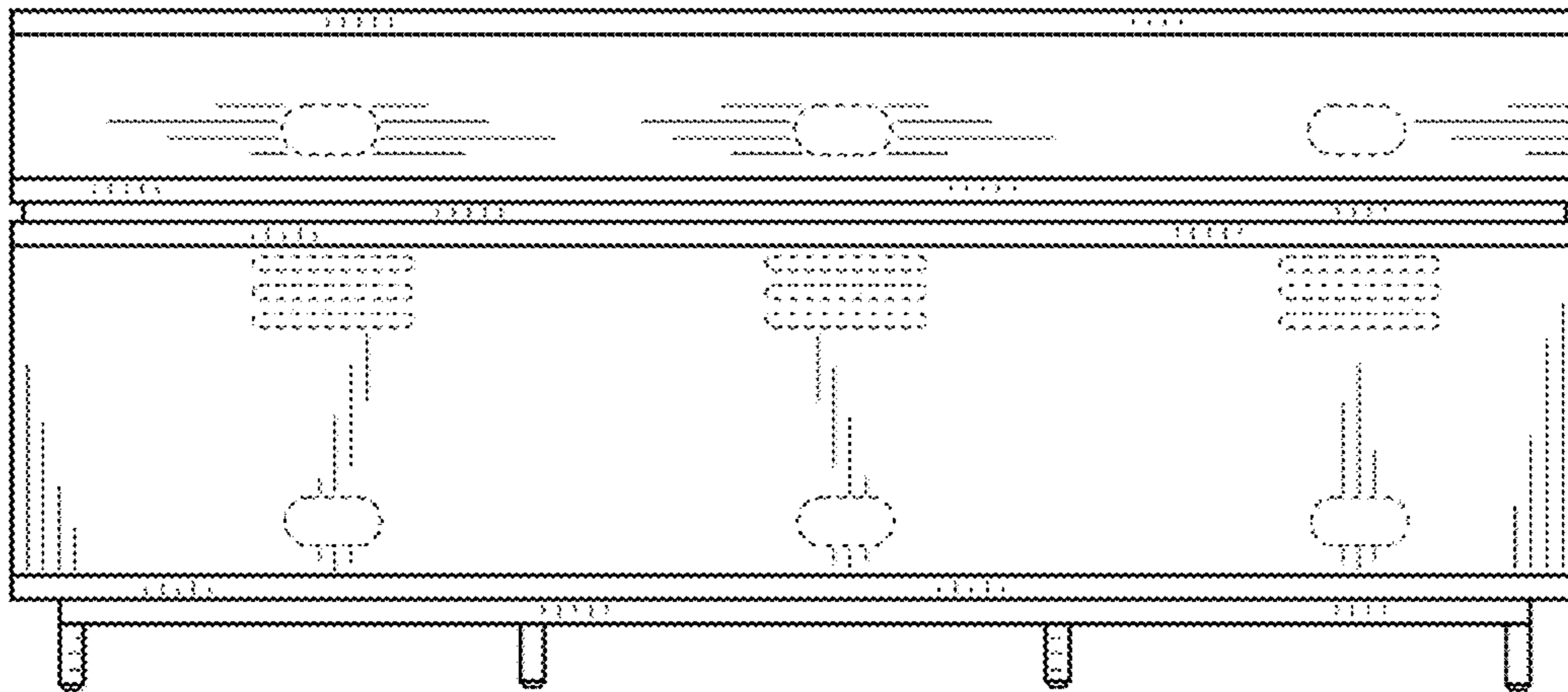


FIG. 3

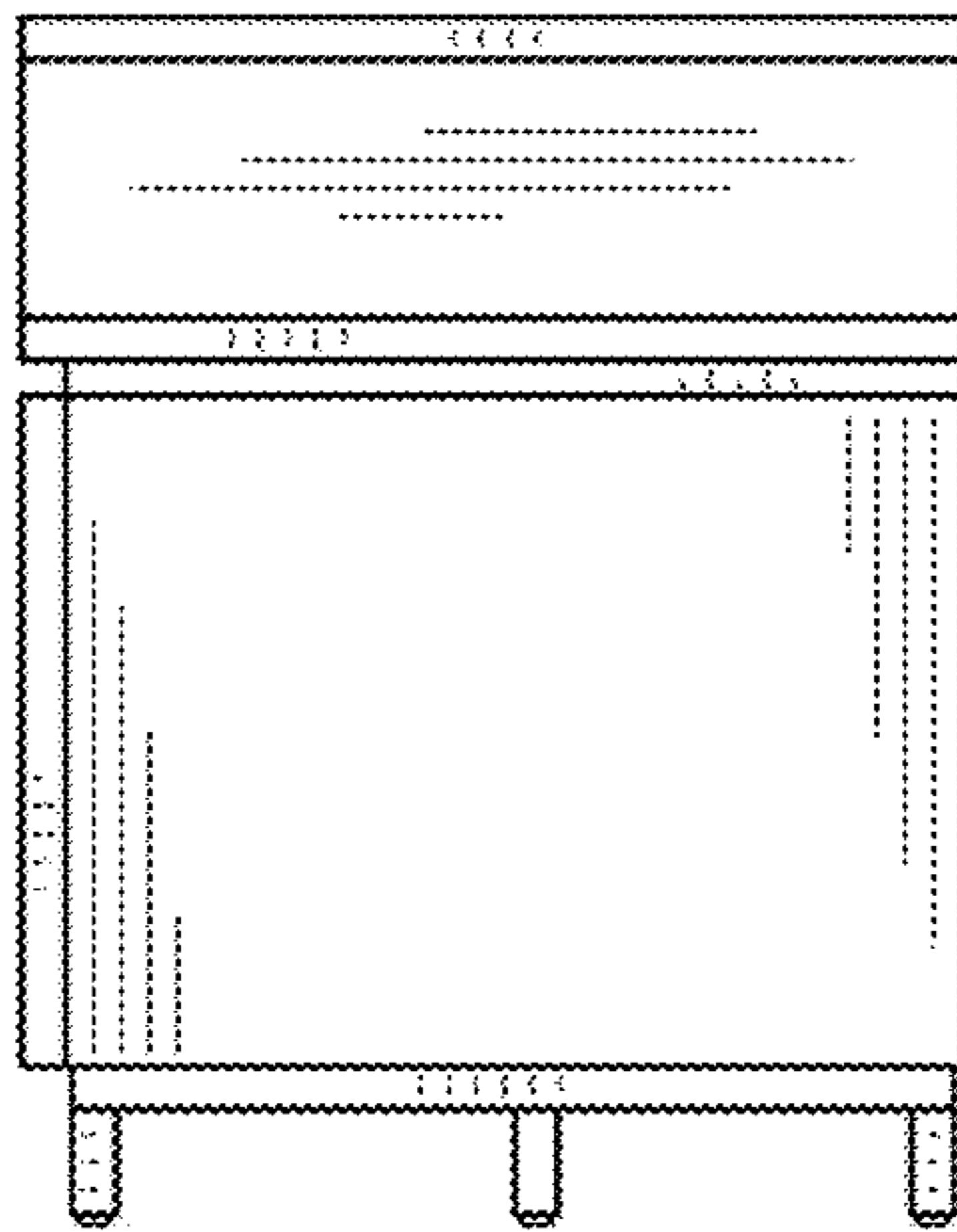


FIG. 4

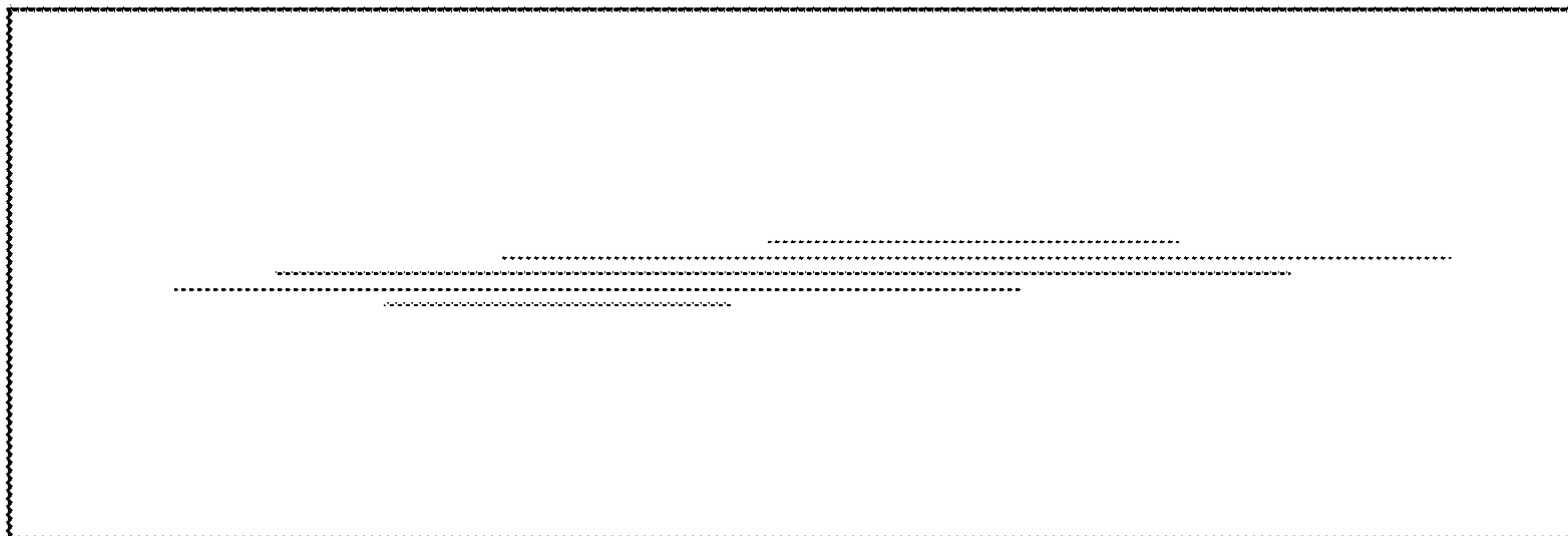


FIG. 5

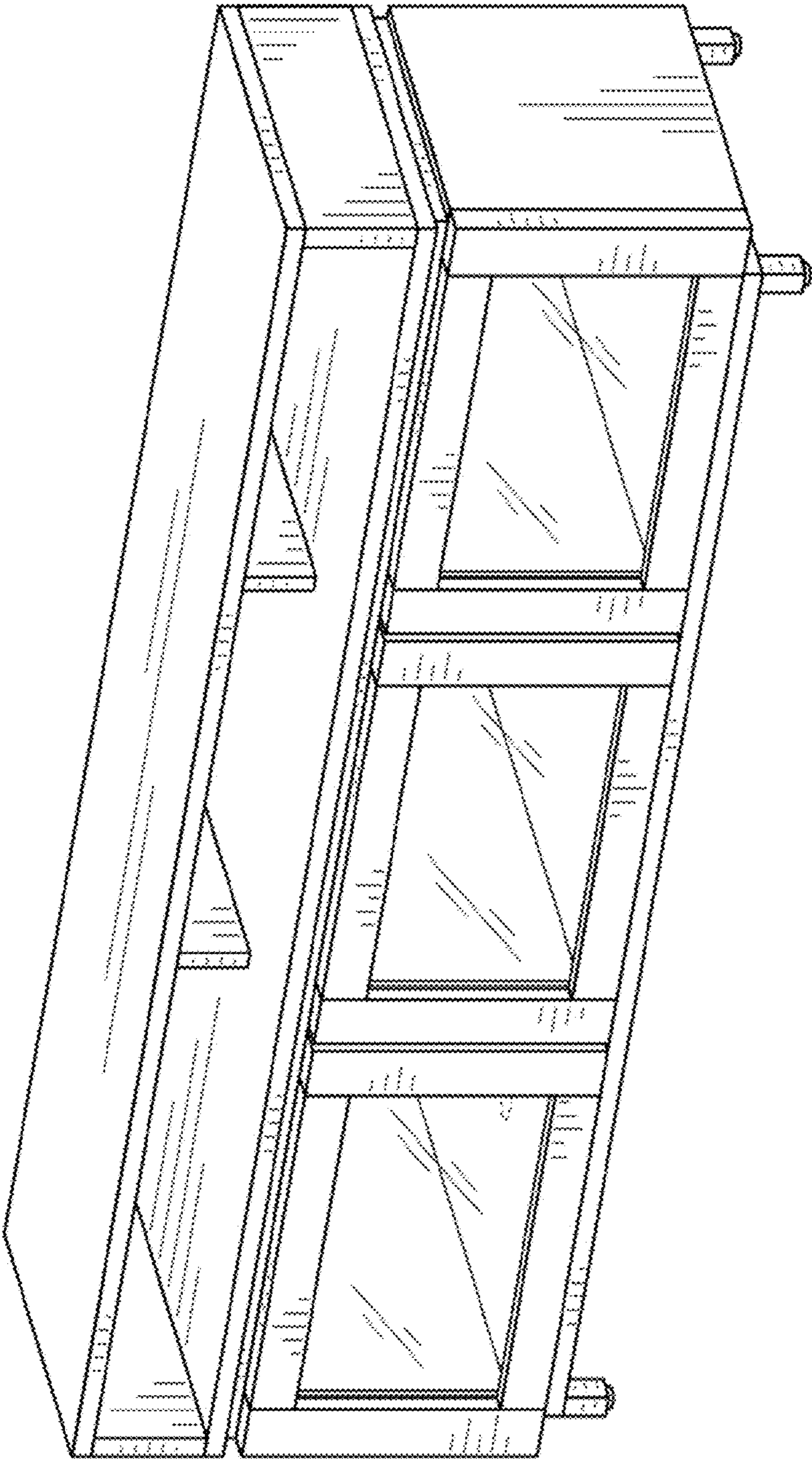


FIG. 6

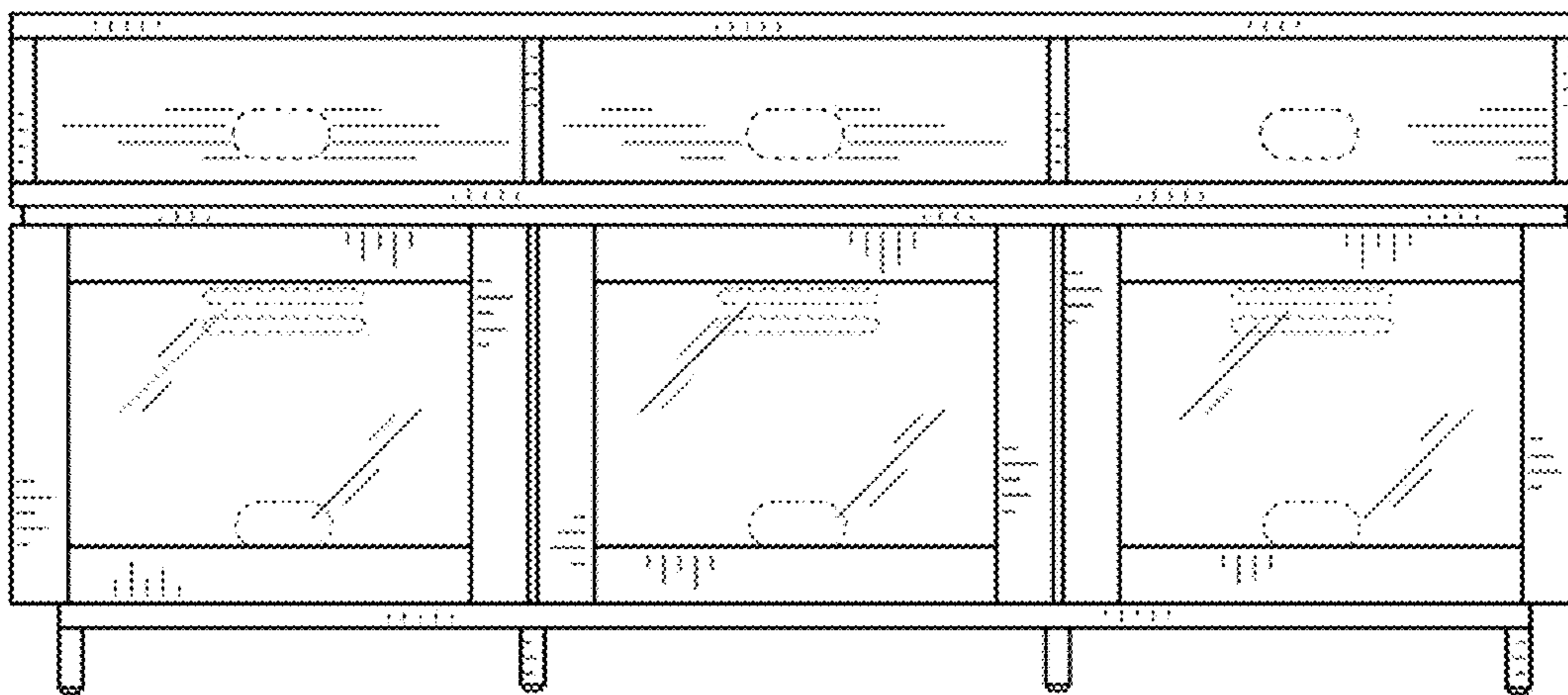


FIG. 7