



US00D747122S

(12) **United States Design Patent**  
**Chang**

(10) **Patent No.:** **US D747,122 S**  
(45) **Date of Patent:** **\*\* Jan. 12, 2016**

(54) **DRAWING TABLE**

(71) Applicant: **Chien-Kuo Chang**, Taichung (TW)  
(72) Inventor: **Chien-Kuo Chang**, Taichung (TW)  
(73) Assignee: **AU OPTRONICS CORPORATION**,  
Hsin-Chu (TW)

(\*\*) Term: **14 Years**

(21) Appl. No.: **29/485,877**

(22) Filed: **Mar. 24, 2014**

(51) **LOC (10) Cl.** ..... **06-03**

(52) **U.S. Cl.**  
USPC ..... **D6/656.16**

(58) **Field of Classification Search**  
USPC ..... D6/656, 656.11, 656.16, 655, 655.18,  
D6/655.21, 691  
CPC ..... A47B 27/00; A47B 27/02; A47B 27/14;  
A47B 2009/003

See application file for complete search history.

(56) **References Cited**

U.S. PATENT DOCUMENTS

D145,808 S \* 10/1946 LaPidus ..... D6/420  
2,775,497 A \* 12/1956 Alvarez ..... 108/146  
3,141,260 A \* 7/1964 Dompieri ..... 248/455  
D506,888 S \* 7/2005 Althofer ..... D6/656

\* cited by examiner

*Primary Examiner* — Janice Seeger

(74) *Attorney, Agent, or Firm* — WPAT, P.C.; Anthony King

(57) **CLAIM**

The ornamental design for a drawing table, as shown and described.

**DESCRIPTION**

FIG. 1 is a perspective view of a drawing table showing our new design thereof;  
FIG. 2 is a front elevational view thereof;  
FIG. 3 is a rear elevational view thereof;  
FIG. 4 is a lateral elevational view thereof;  
FIG. 5 is a top plan view thereof;  
FIG. 6 is a bottom plan view thereof;  
FIG. 7 showing the table in an alternate position; and,  
FIG. 8 is a lateral elevational view in an applied status thereof;  
The broken lines shown represent unclaimed subject matter and form no part of the claimed design; and

**1 Claim, 8 Drawing Sheets**

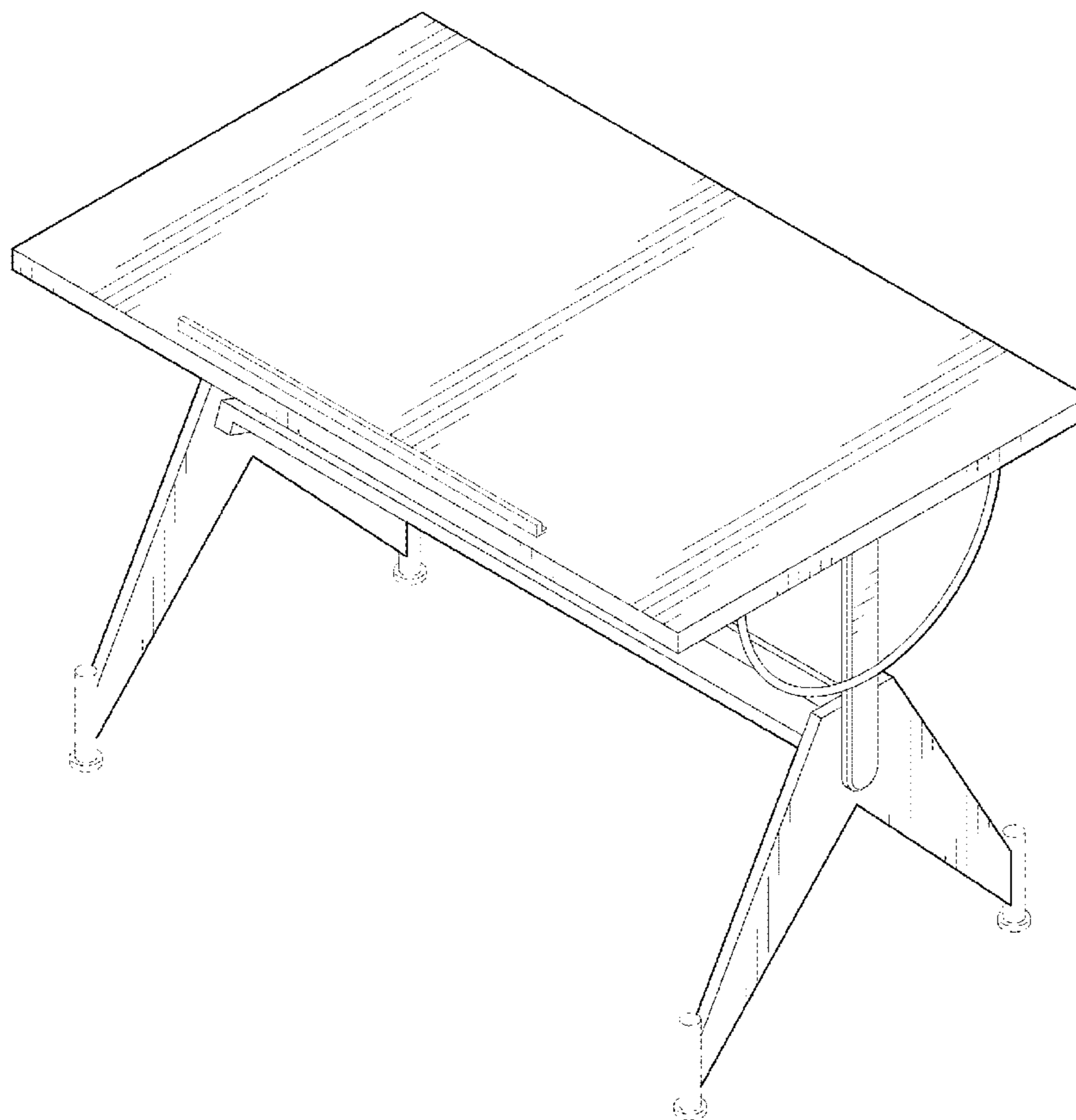




FIG. 1

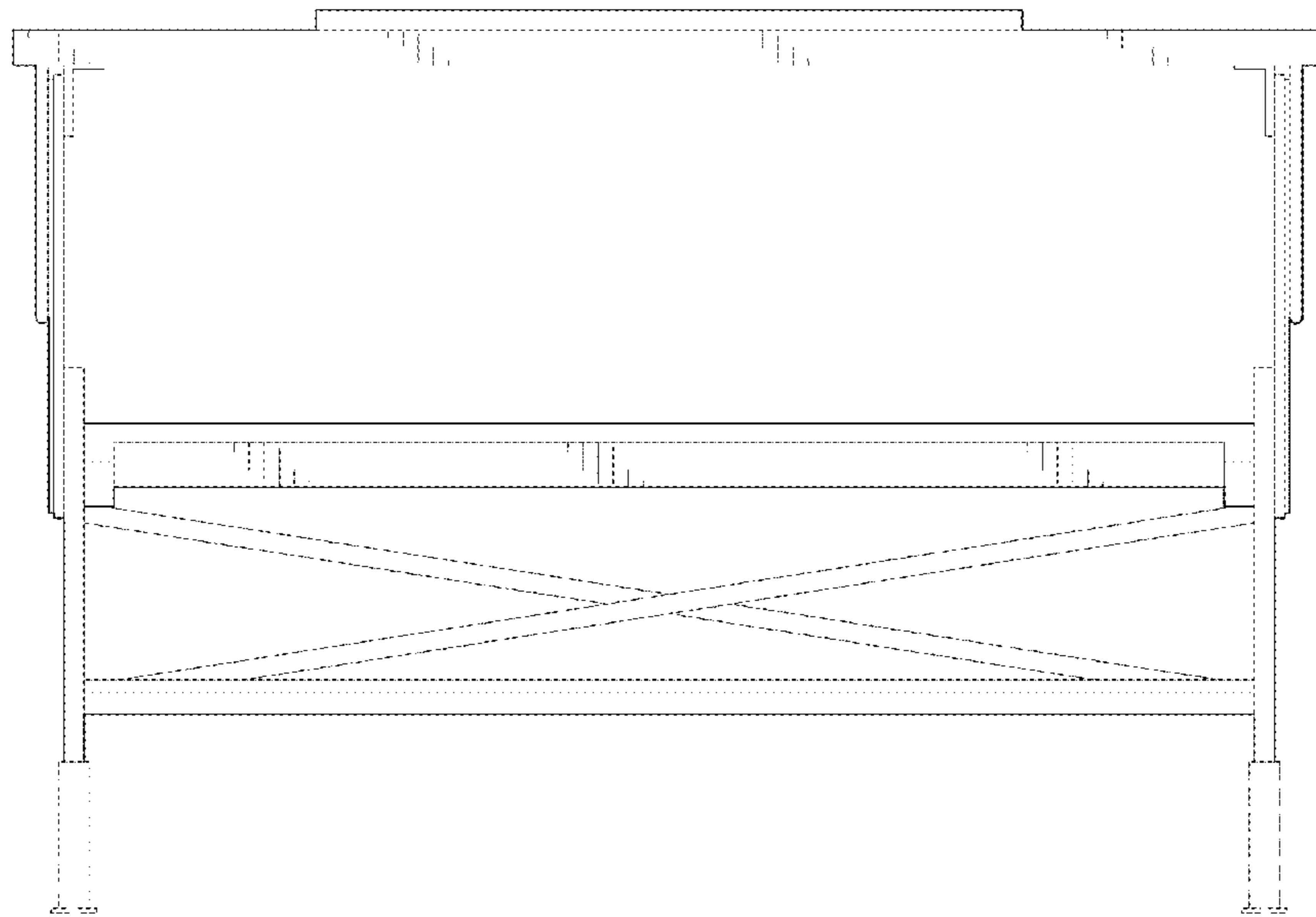


FIG. 2

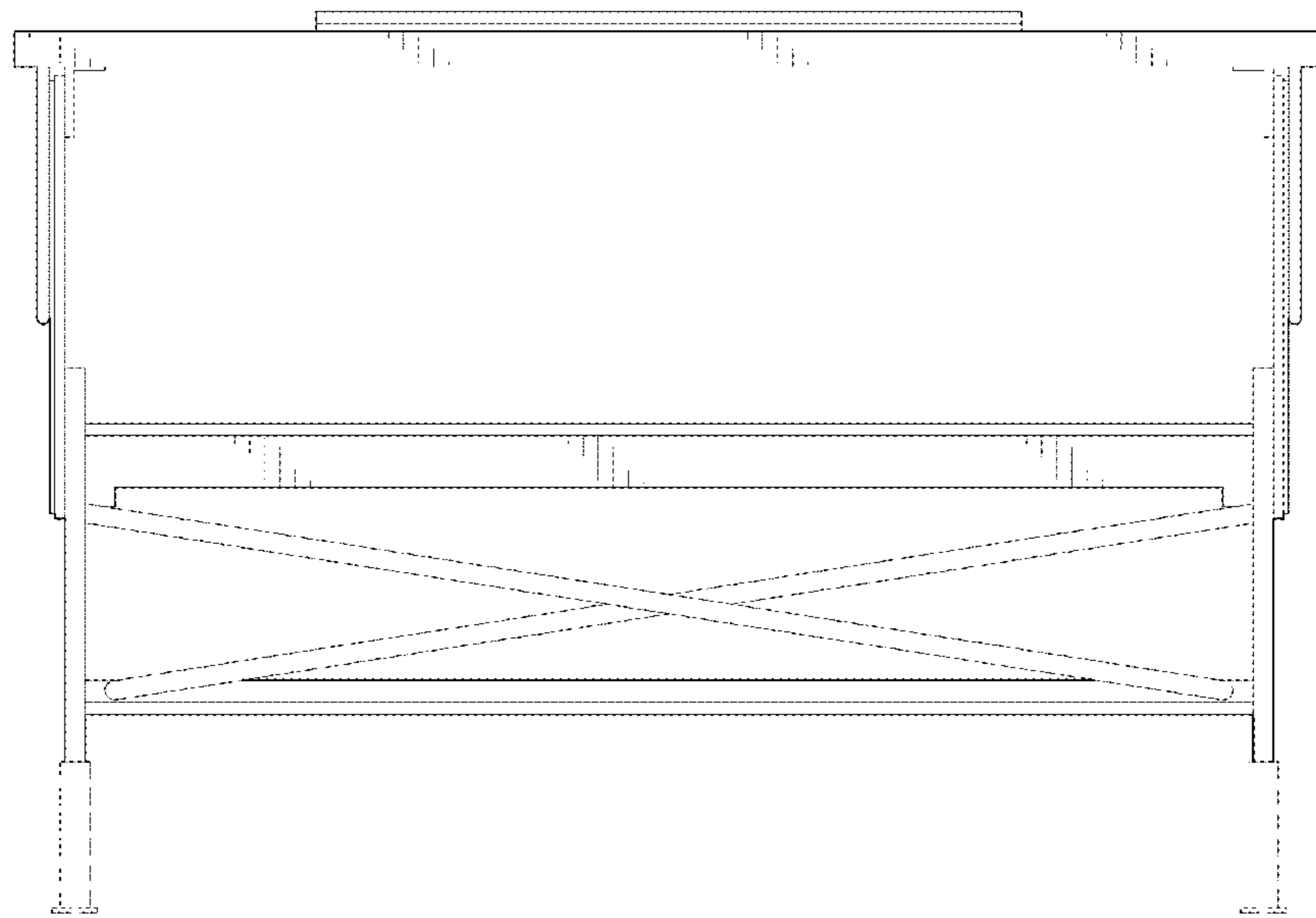


FIG. 3

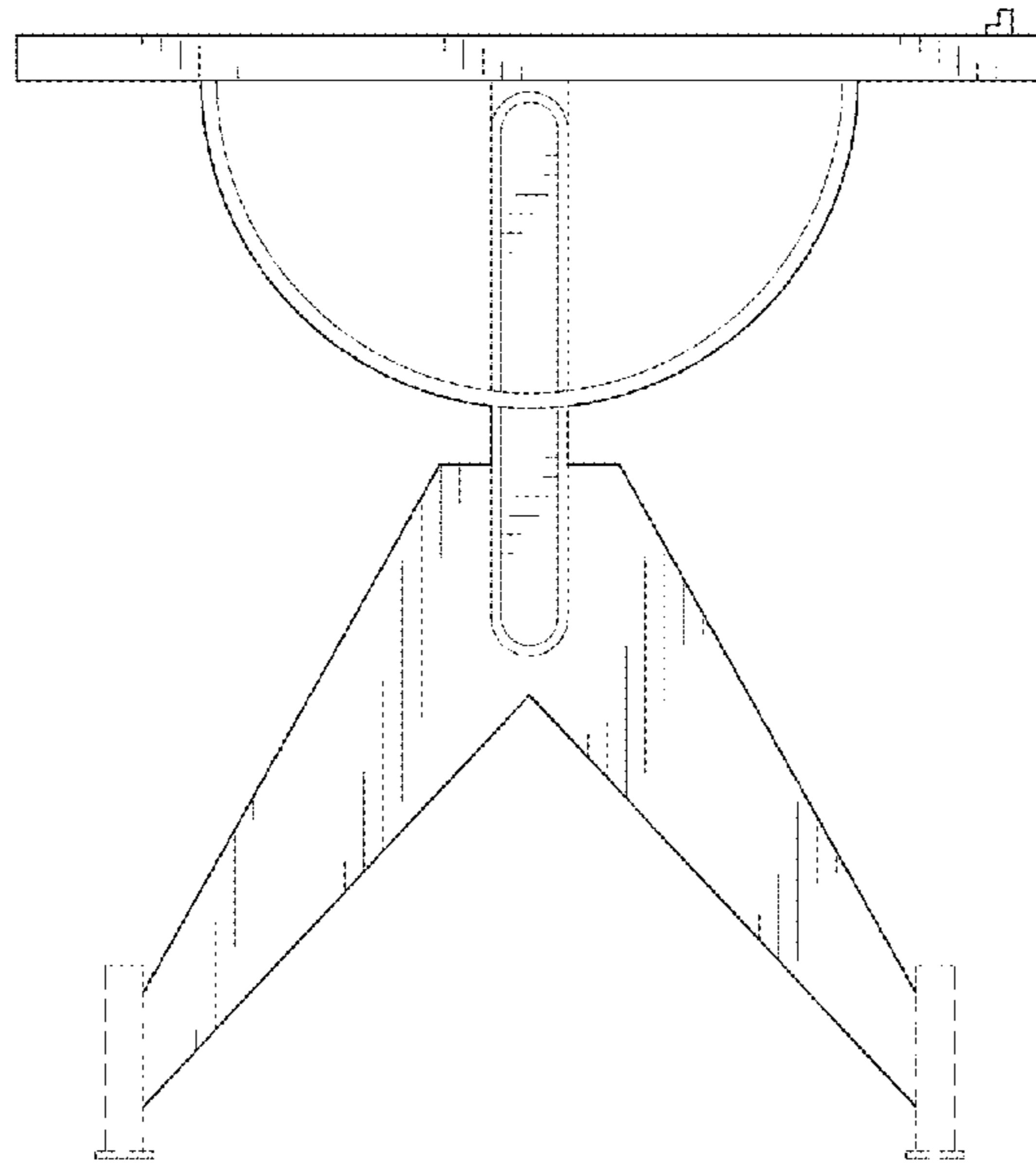


FIG. 4

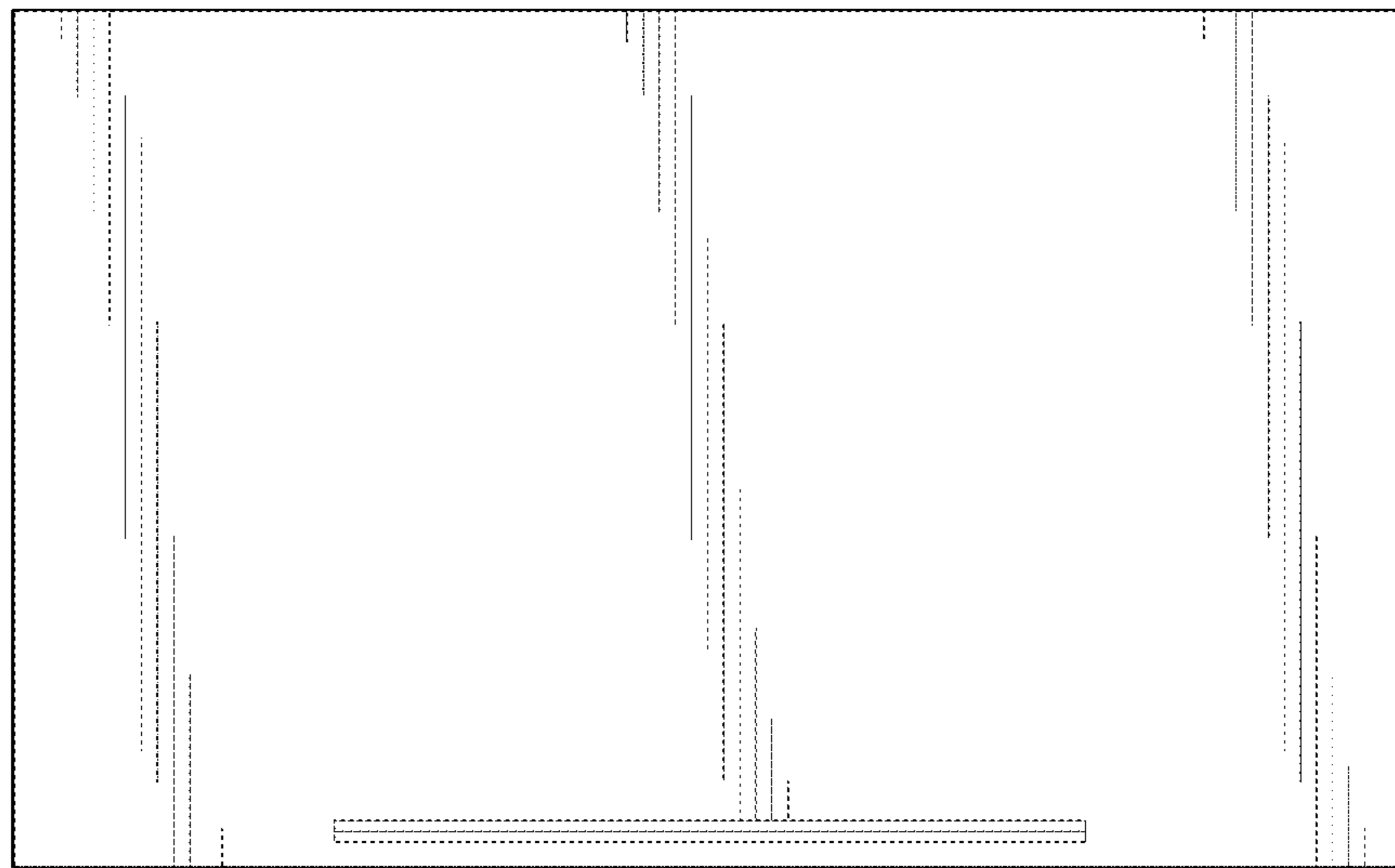


FIG. 5

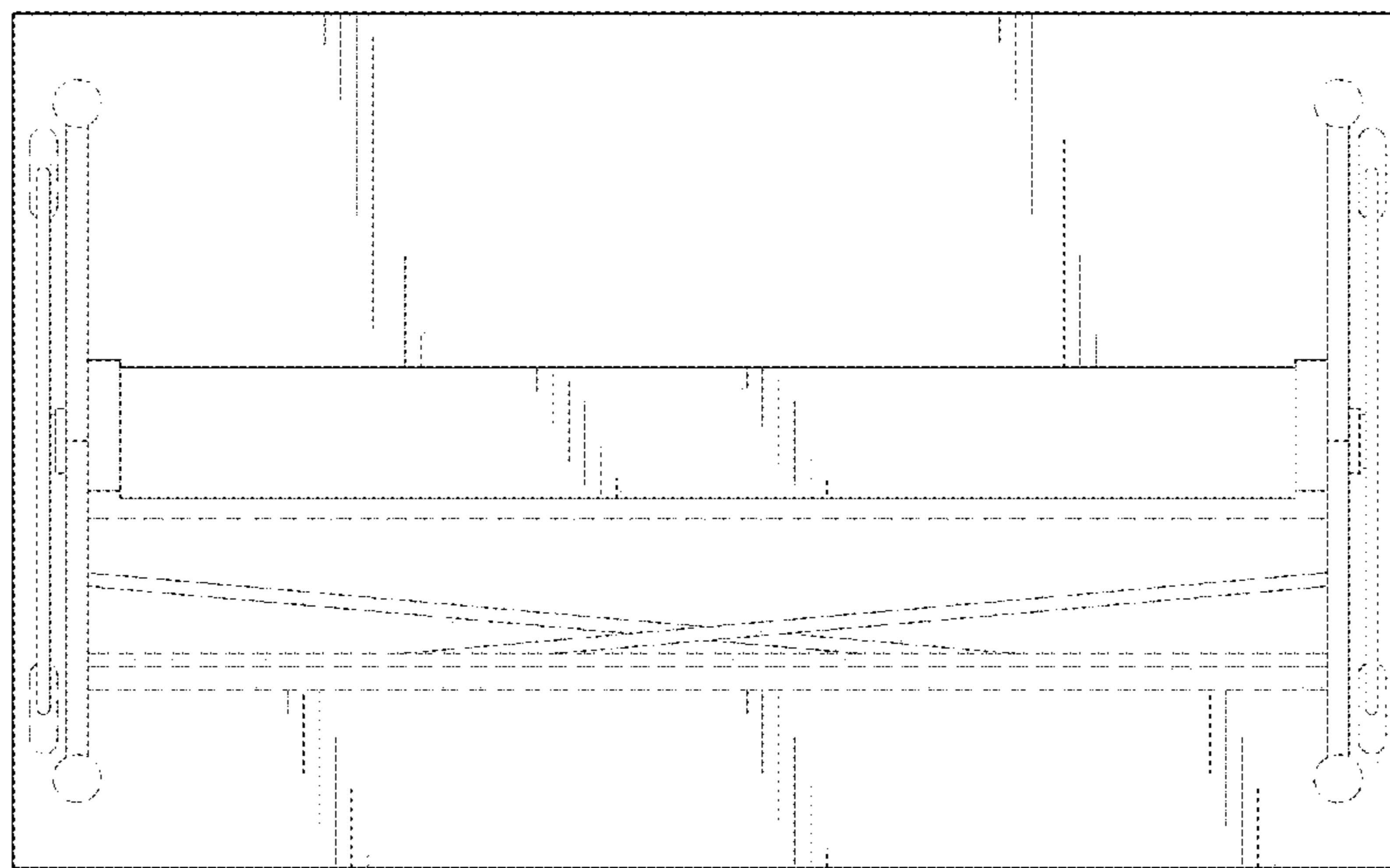


FIG. 6



FIG. 7



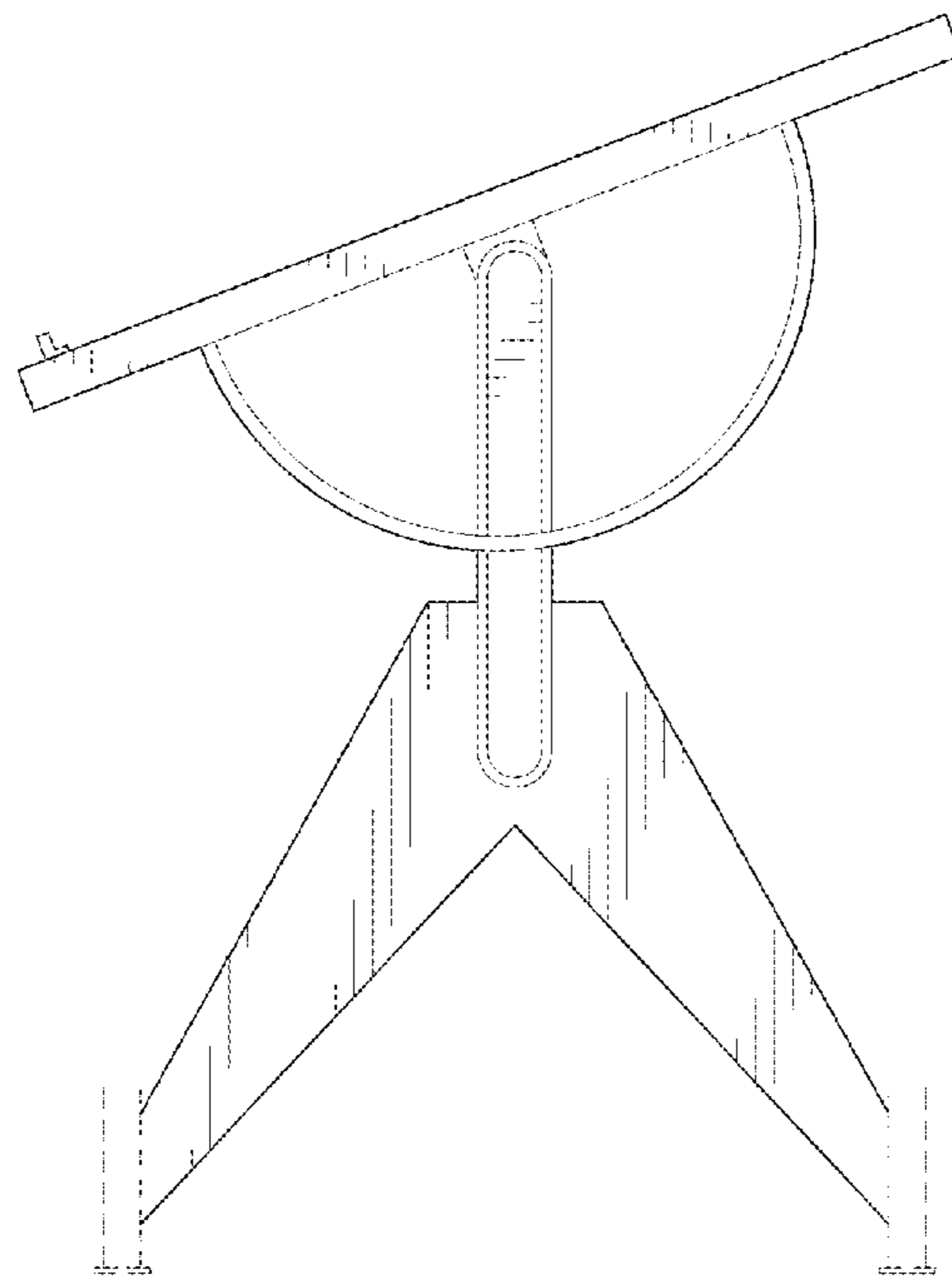


FIG. 8