



US00D747120S

(12) **United States Design Patent**
Ng

(10) **Patent No.:** **US D747,120 S**

(45) **Date of Patent:** **** Jan. 12, 2016**

(54) **ROLLER SHADE HEADRAIL**

(56) **References Cited**

(71) Applicant: **ZMC METAL COATING INC.,**
Woodbridge (CA)

U.S. PATENT DOCUMENTS

(72) Inventor: **Philip Ng,** Thornhill (CA)

3,705,439	A *	12/1972	Cooksey et al.	16/94 D
D443,457	S *	6/2001	Horsten	D6/580
6,532,625	B1 *	3/2003	Stone	16/87.4 R
D489,209	S *	5/2004	Goldberg	D6/580
D522,297	S *	6/2006	Miller et al.	D6/580
D530,967	S *	10/2006	Smith	D6/580
D542,068	S *	5/2007	Watkins et al.	D6/580
D546,104	S *	7/2007	Miller et al.	D6/580
D567,002	S *	4/2008	Allsopp	D6/580
D699,976	S *	2/2014	Chou	D6/580
D728,979	S *	5/2015	K'Nell	D6/675.3
2011/0114809	A1 *	5/2011	Ng	248/309.1
2014/0048218	A1 *	2/2014	Ng	160/293.1

(73) Assignee: **ZMC Metal Coating Inc.,** Woodbridge
(CA)

(**) Term: **14 Years**

* cited by examiner

(21) Appl. No.: **29/514,934**

Primary Examiner — Karen S Acker

(22) Filed: **Jan. 19, 2015**

Assistant Examiner — Amy Wierenga

(30) **Foreign Application Priority Data**

(74) *Attorney, Agent, or Firm* — Price Heneveld LLP

Oct. 6, 2014 (CA) 159004

(51) **LOC (10) Cl.** **06-10**

(57) **CLAIM**

The ornamental design for a roller shade headrail, as shown and described.

(52) **U.S. Cl.**

DESCRIPTION

USPC **D6/580**

FIG. 1 is an upper front perspective view of a roller shade headrail;

(58) **Field of Classification Search**

USPC D6/577-579, 580, 581; D8/367, 368,

FIG. 2 is a lower rear perspective view of a roller shade headrail;

D8/373, 374, 78; D25/119, 130, 133

FIG. 3 is a right side elevational view of a roller shade headrail;

CPC A47H 15/04; A47H 1/06; Y10T 16/353;

FIG. 4 is a left side elevational view of a roller shade headrail;

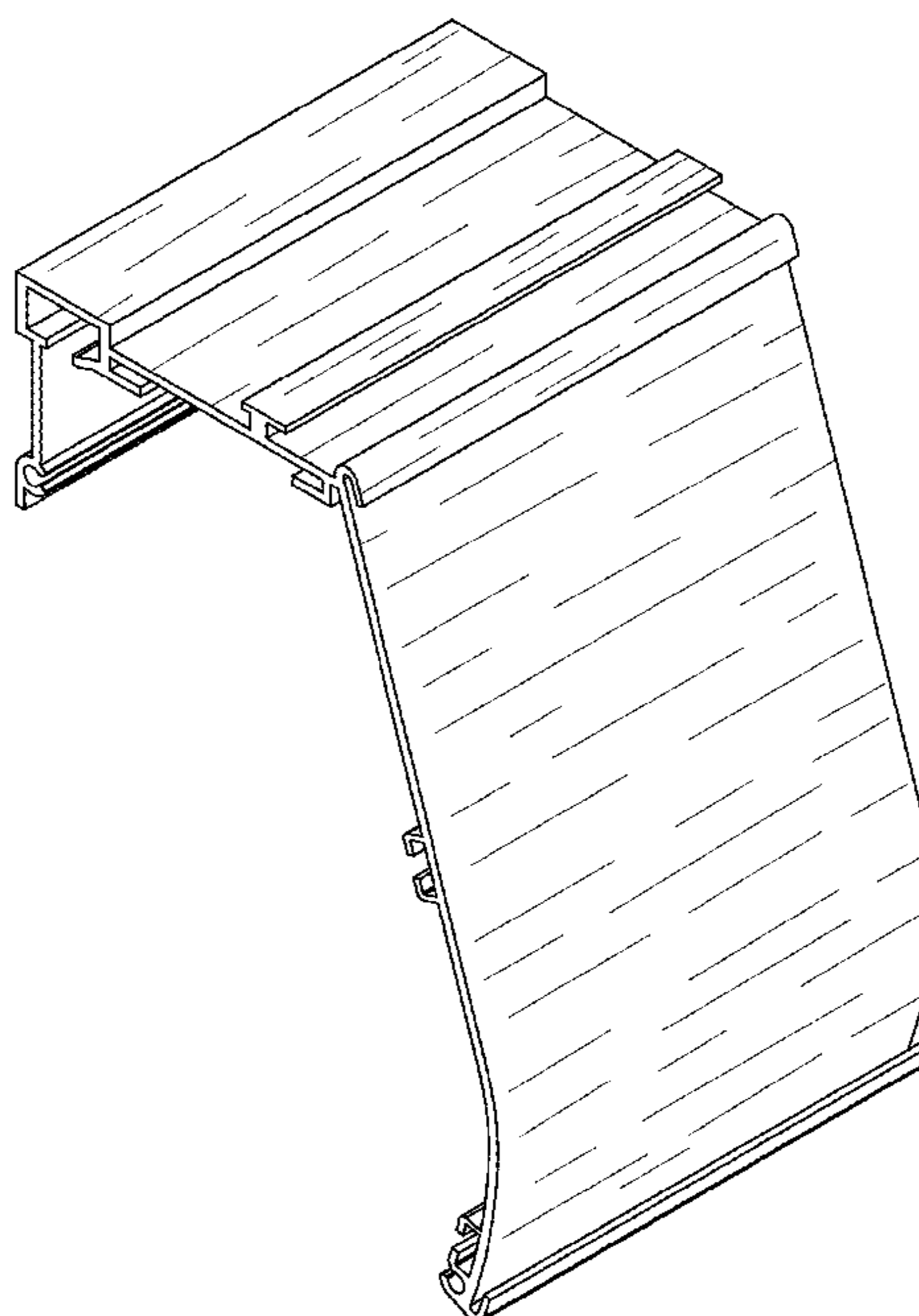
Y10T 16/354; Y10T 16/356; Y10T 16/357;

and,
FIG. 5 is a top view of a roller shade headrail.

E06B 9/42; E06B 9/50; E06B 9/323

See application file for complete search history.

1 Claim, 5 Drawing Sheets



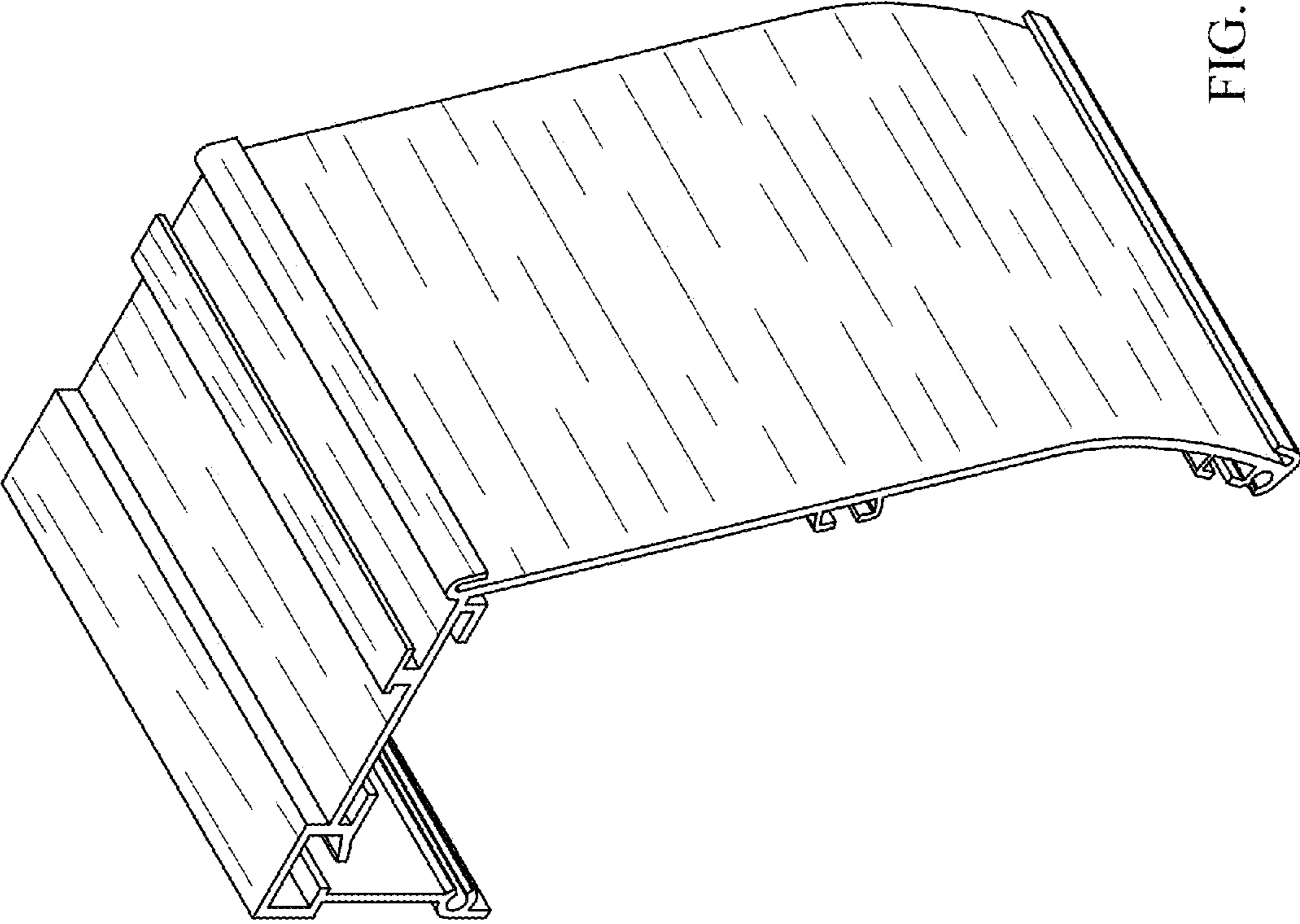


FIG. 1

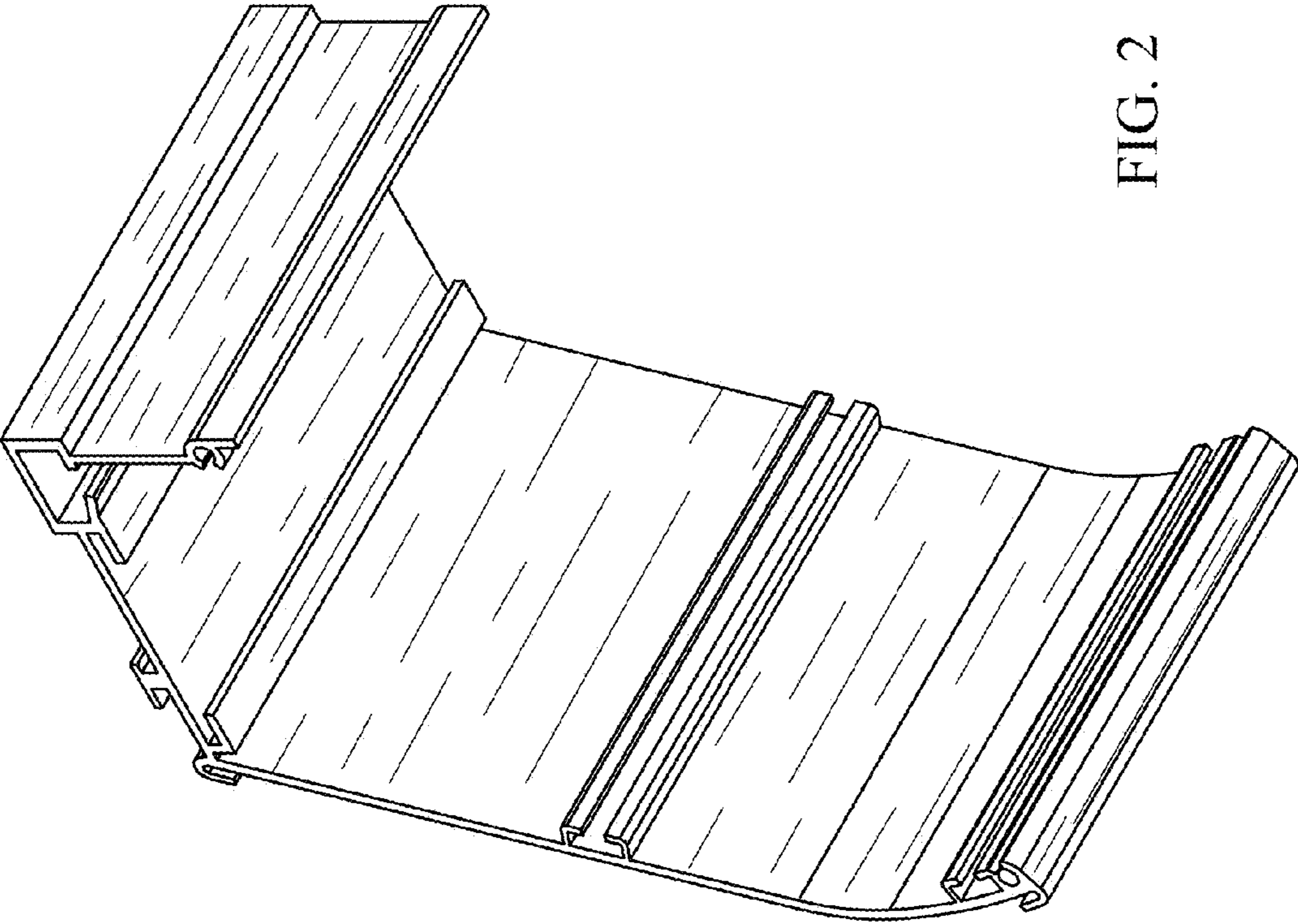


FIG. 2

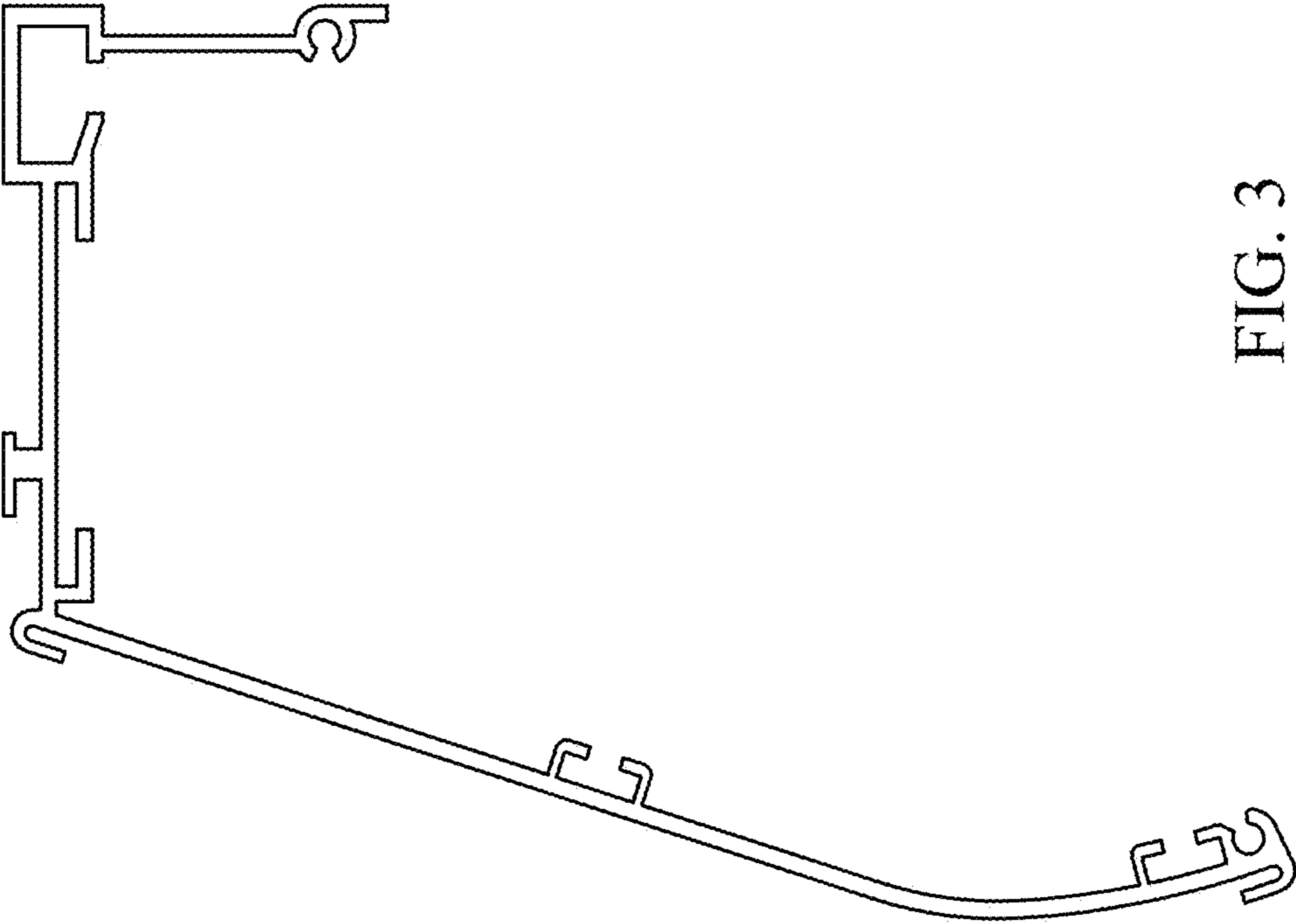


FIG. 3

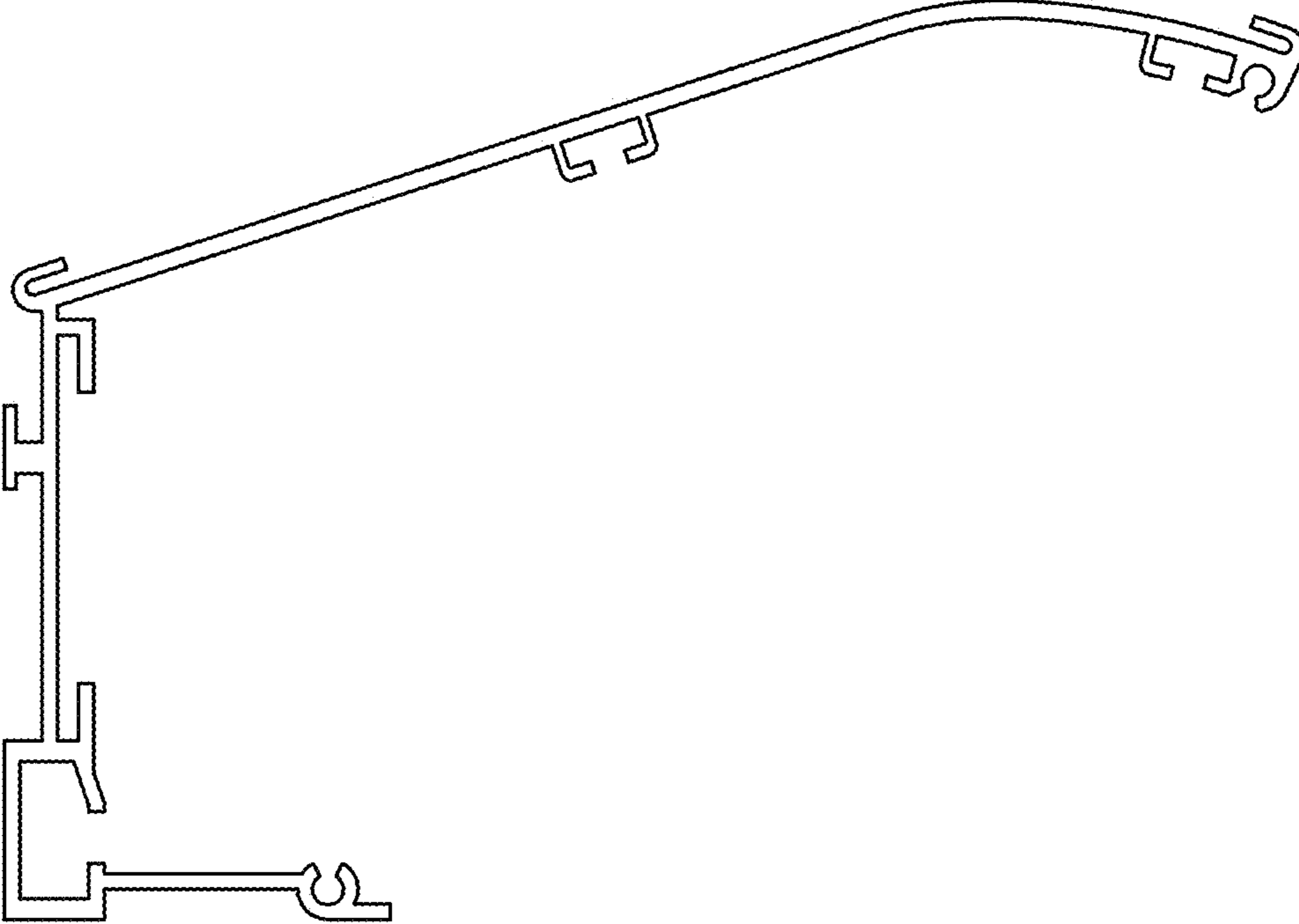


FIG. 4

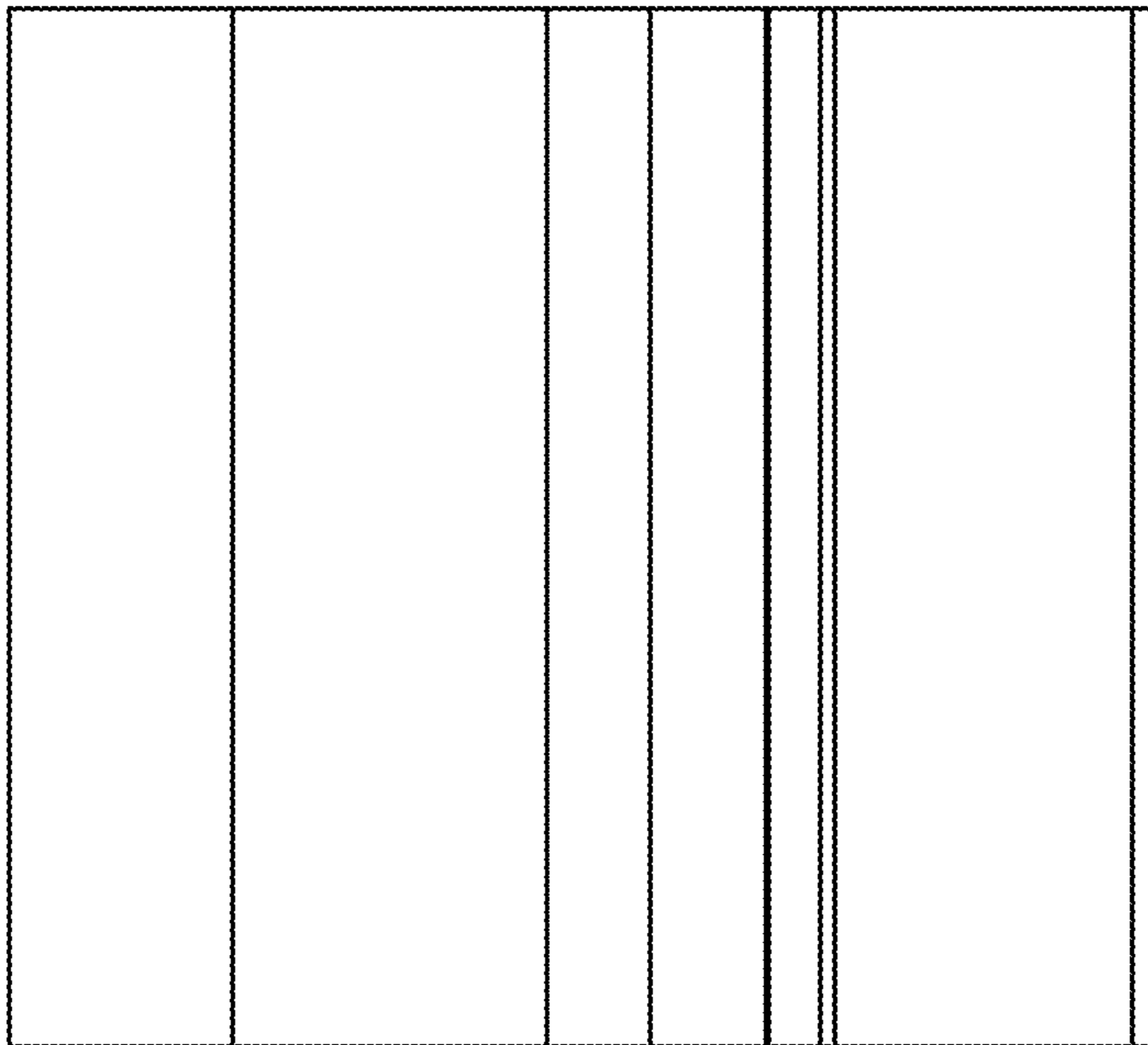


FIG. 5