



US00D747117S

(12) **United States Design Patent**  
**Lau**

(10) **Patent No.:** **US D747,117 S**  
(45) **Date of Patent:** **\*\* Jan. 12, 2016**

- (54) **AIRBED**
- (71) Applicant: **Vincent W. S. Lau**, Kowloon (HK)
- (72) Inventor: **Vincent W. S. Lau**, Kowloon (HK)
- (73) Assignee: **Ideal Time Consultants Limited** (VG)
- (\*\*) Term: **14 Years**
- (21) Appl. No.: **29/454,179**
- (22) Filed: **May 7, 2013**
- (51) **LOC (10) Cl.** ..... **06-02**
- (52) **U.S. Cl.**  
USPC ..... **D6/393**; D6/604
- (58) **Field of Classification Search**  
USPC ..... D6/382, 388, 393, 406.1, 406.3, 599,  
D6/602, 604-607, 642, 646, 647, 650, 653,  
D6/653.11, 653.16, 653.18, 653.19, 655,  
D6/655.17, 655.18, 655.2, 655.23, 655.22,  
D6/656.1, 656.11-656.13, 656.19, 665,  
D6/665.23, 708; D8/403; 5/400, 504.1,  
5/505.1, 506.1, 507.1, 706-708, 710-711  
CPC ..... A47C 31/12; A47C 23/00; A47C 23/02;  
A47C 23/06; A47C 27/06; A47C 27/08;  
A47C 27/081; A47C 27/128  
See application file for complete search history.

(56) **References Cited**

**U.S. PATENT DOCUMENTS**

D87,579 S *	8/1932	Hoey	.....	D6/361
D282,423 S	2/1986	Carter		
D339,479 S	9/1993	Anderson		
D455,928 S	4/2002	Fisher et al.		
D463,703 S *	10/2002	Song et al.	.....	D6/604
D490,635 S *	6/2004	Boso et al.	.....	D6/604

D507,445 S	7/2005	Song et al.		
D525,804 S	8/2006	Schwartz		
D537,287 S *	2/2007	Lau	.....	D6/604
D551,484 S *	9/2007	Kasatshko et al.	.....	D6/604
D557,966 S	12/2007	Gao		
7,353,555 B2 *	4/2008	Lau	.....	5/711
D593,340 S	6/2009	Austen et al.		
7,555,797 B1	7/2009	Wu		
D602,708 S	10/2009	Coleman et al.		
D612,630 S	3/2010	Coleman		
8,056,169 B2	11/2011	McManamy et al.		
D658,921 S	5/2012	Prendergast		
8,549,686 B2 *	10/2013	Wang et al.	.....	5/722
2008/0256717 A1	10/2008	Austen et al.		
2010/0272509 A1 *	10/2010	Ritke	.....	404/6

\* cited by examiner

*Primary Examiner* — Karen S Acker

*Assistant Examiner* — Clare Ann Gannon

(74) *Attorney, Agent, or Firm* — Raymond Sun

(57) **CLAIM**

The ornamental design for an airbed, as shown and described.

**DESCRIPTION**

FIG. 1 is a front perspective view of an airbed showing my new design.

FIG. 2 is a front right perspective view of the airbed of FIG. 1.

FIG. 3 is a front view thereof.

FIG. 4 is a rear view thereof.

FIG. 5 is the left side view thereof.

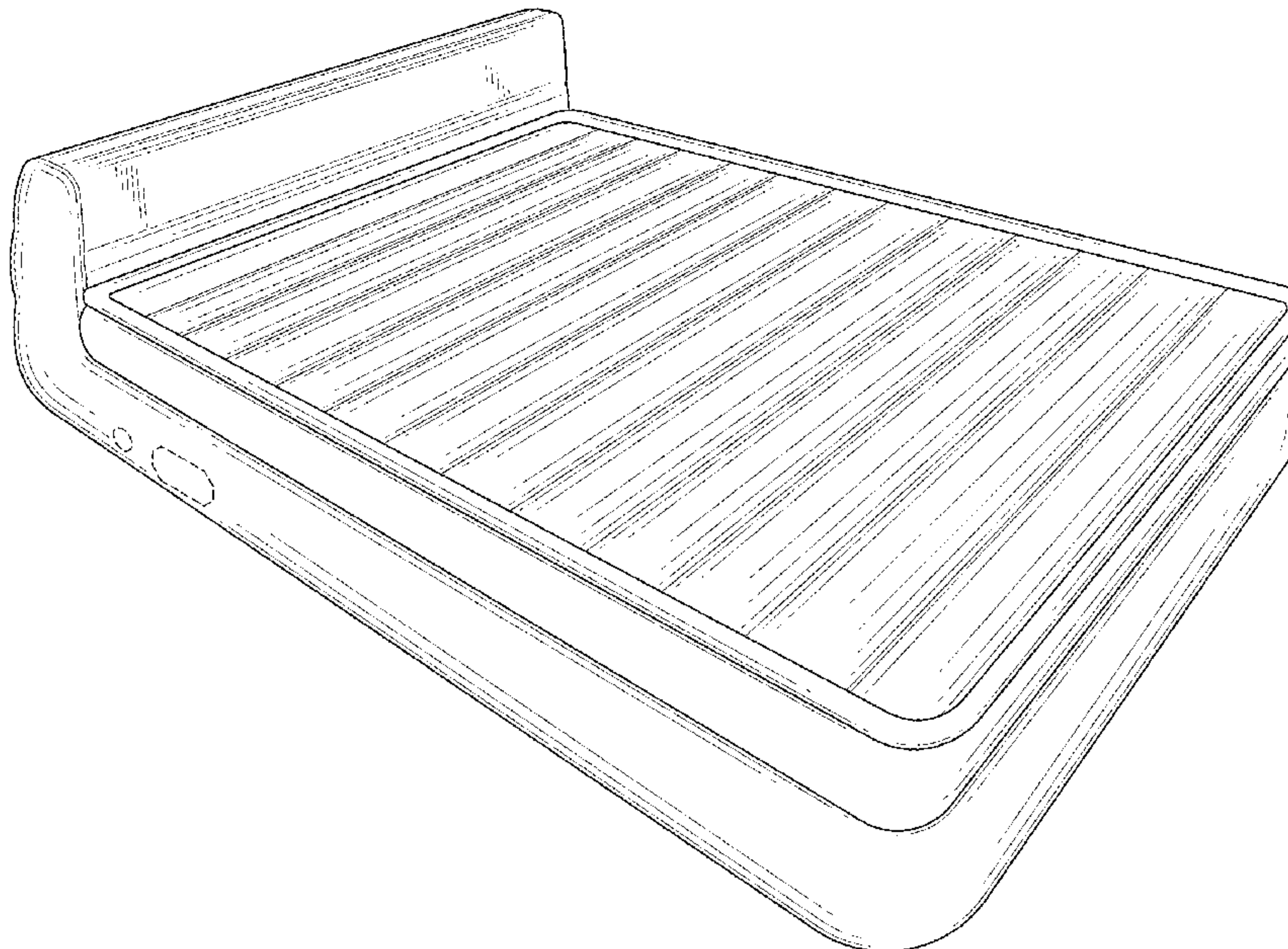
FIG. 6 is a right side view thereof.

FIG. 7 is a top view thereof; and,

FIG. 8 is a bottom view thereof.

The broken lines in the drawings depict portions of the airbed that form no part of the claimed design.

**1 Claim, 6 Drawing Sheets**





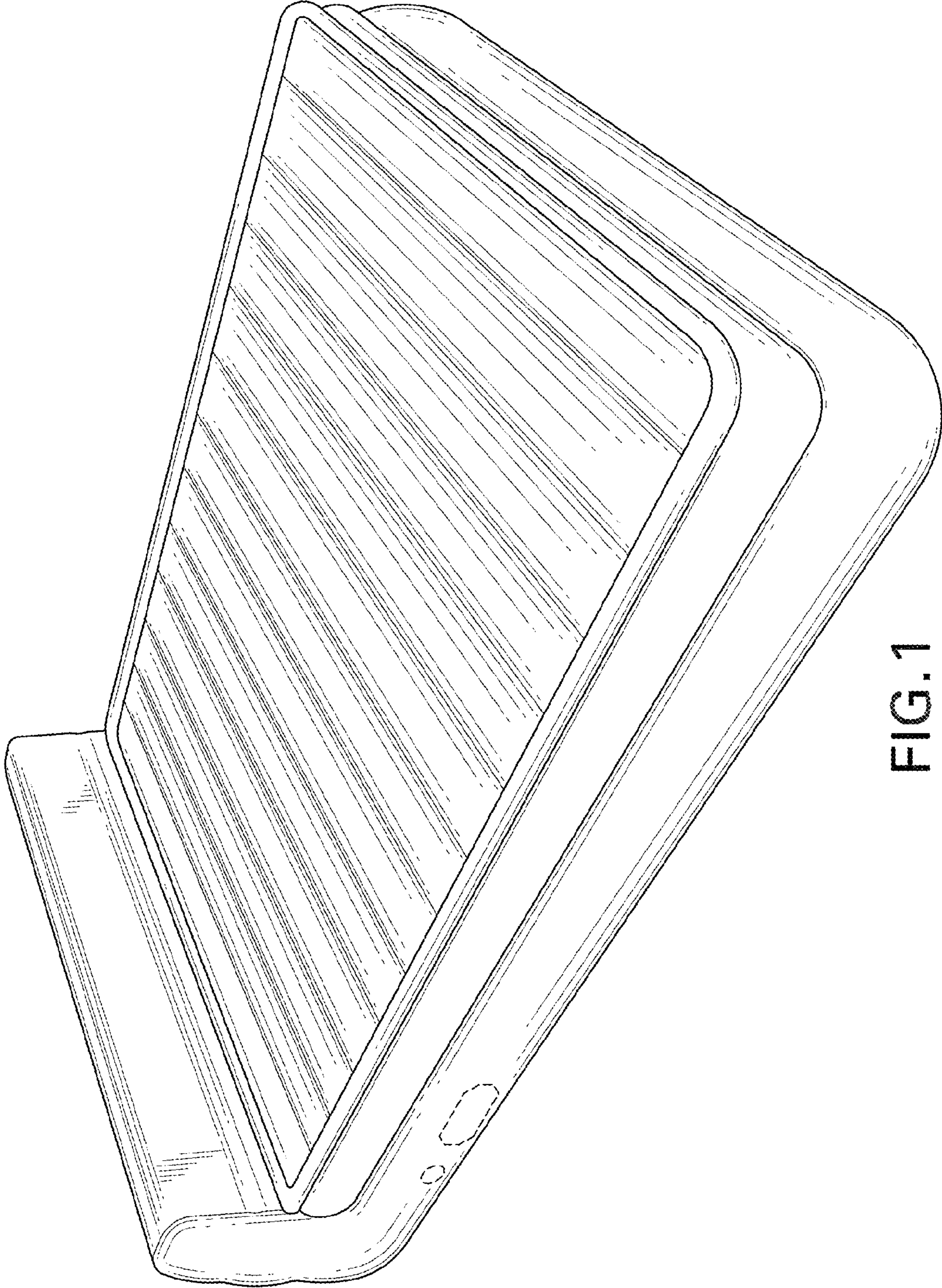


FIG. 1

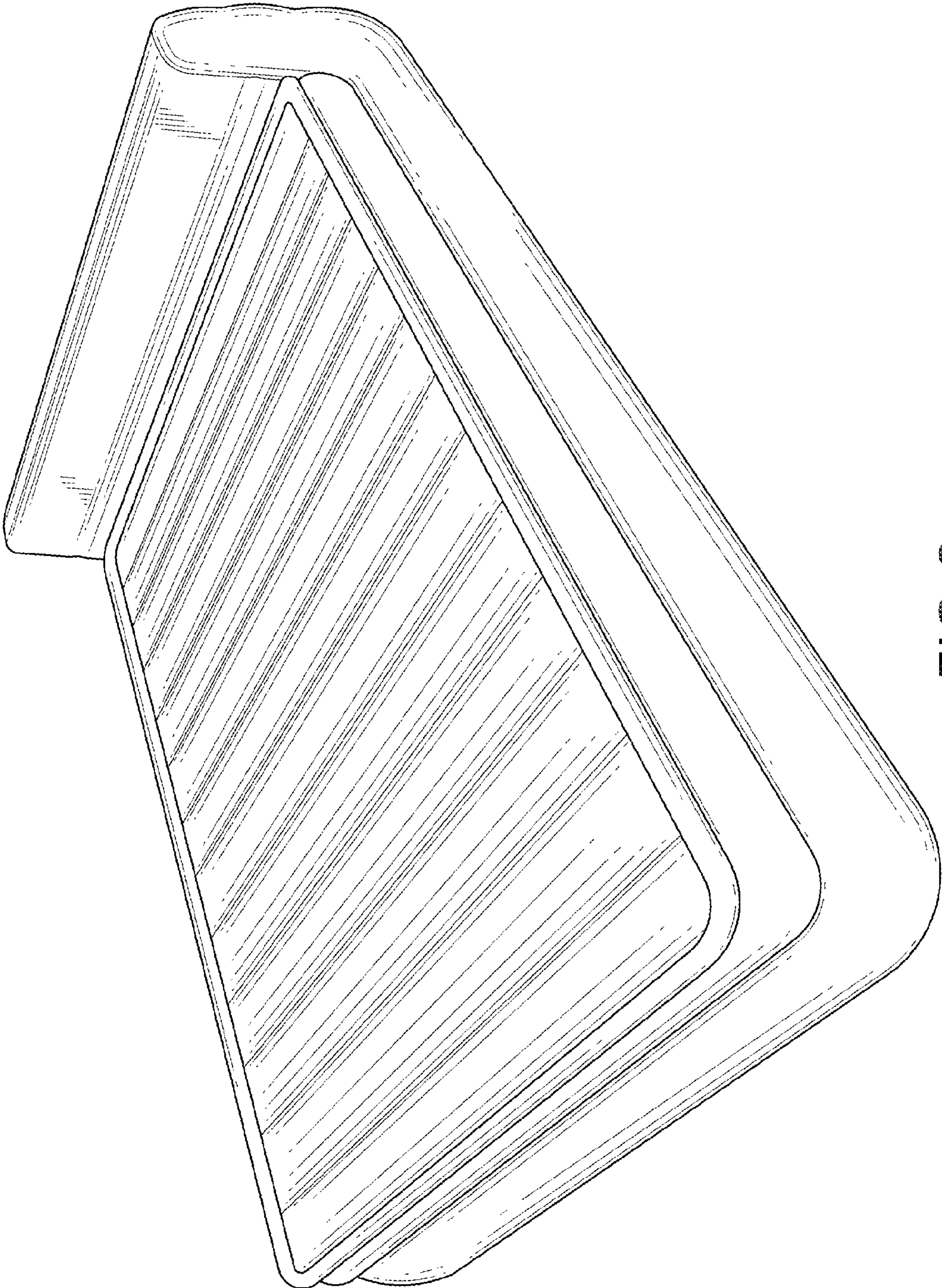


FIG. 2



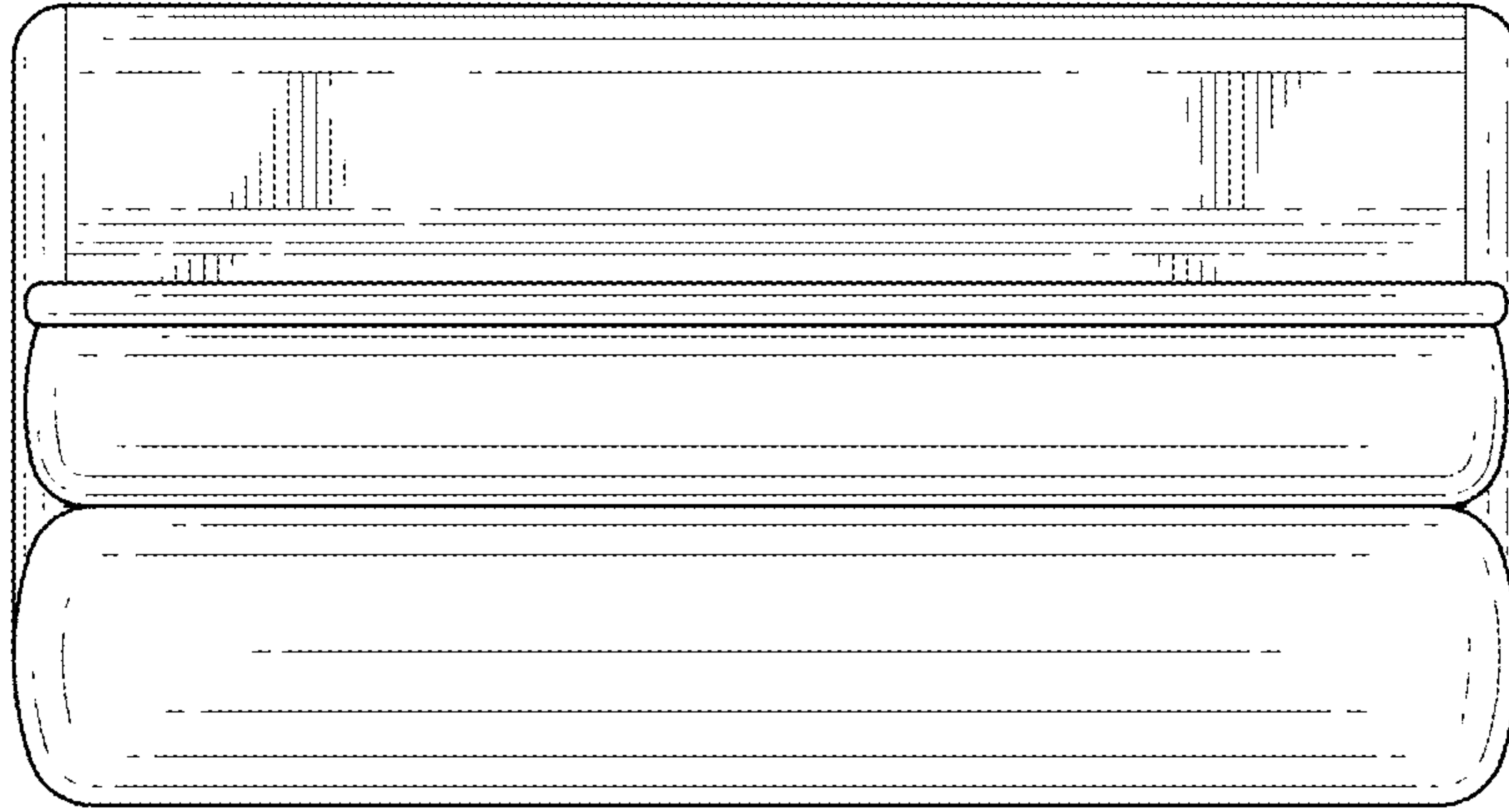


FIG. 3

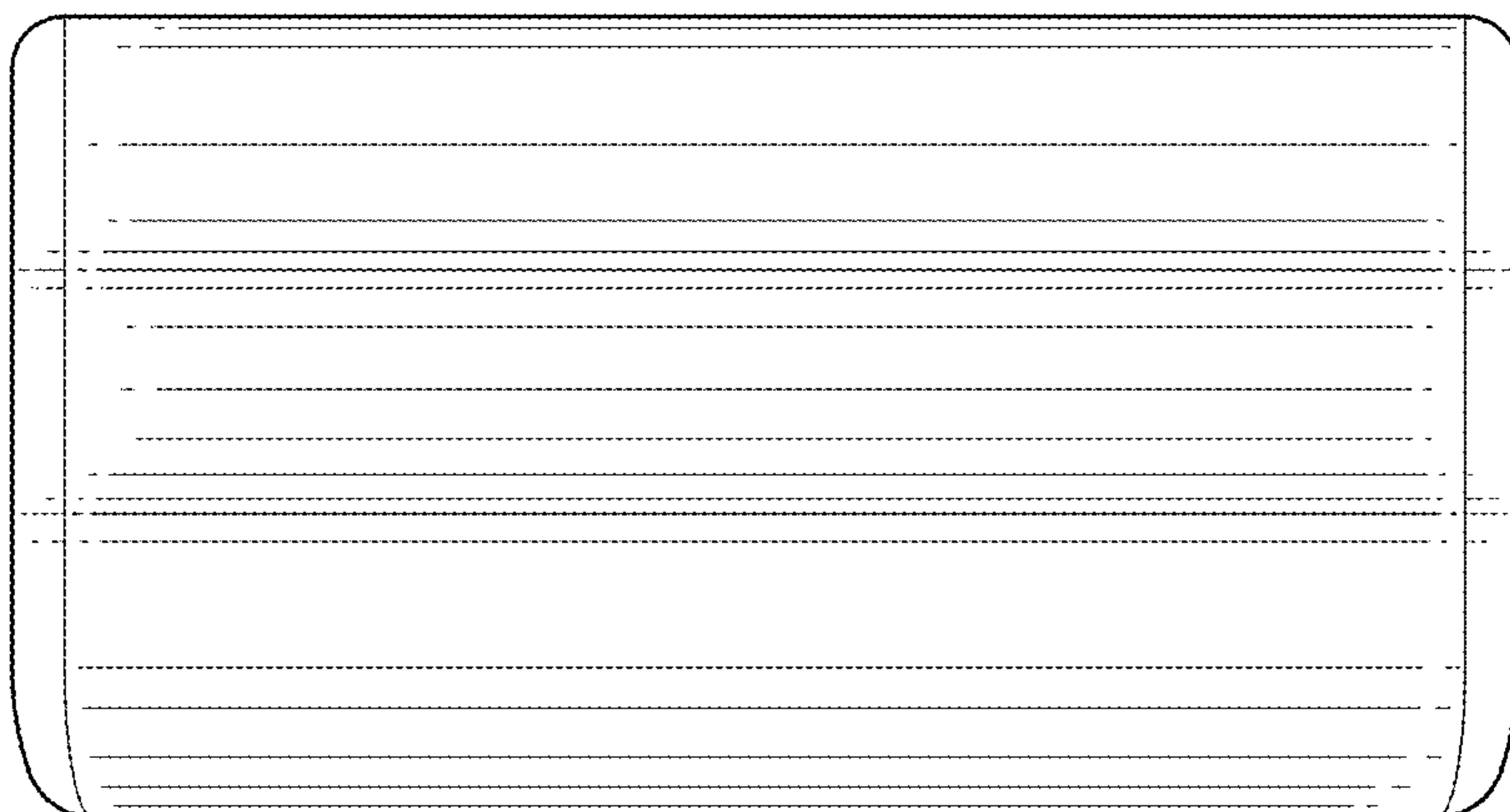


FIG. 4

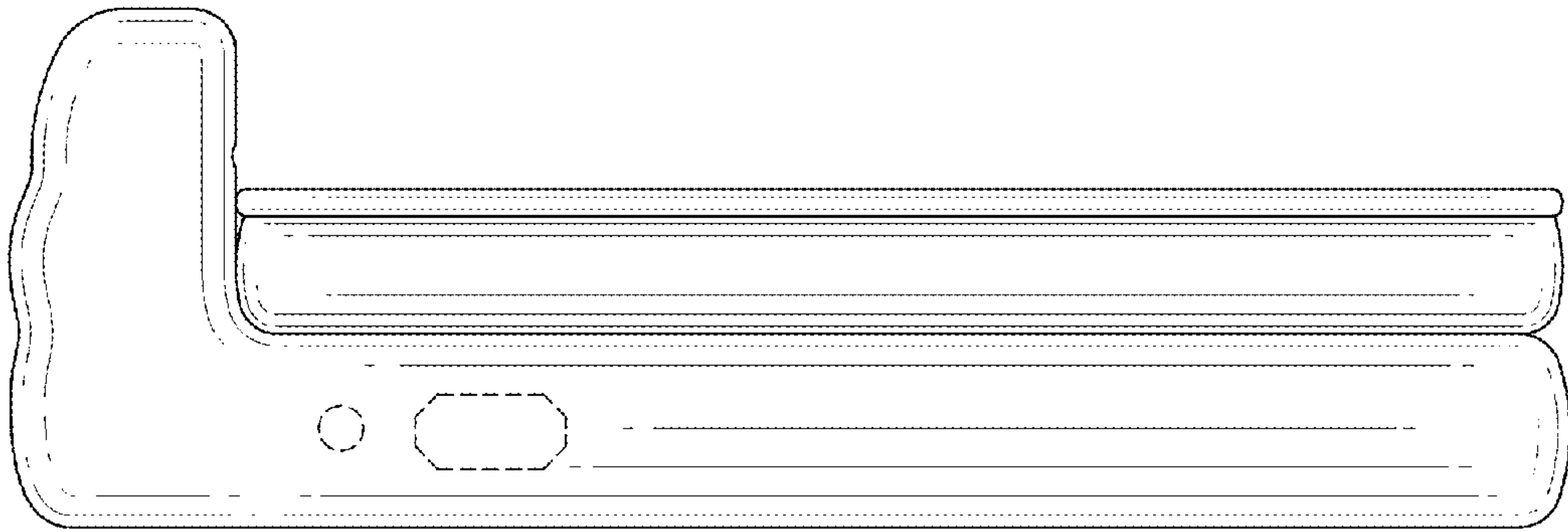


FIG. 5

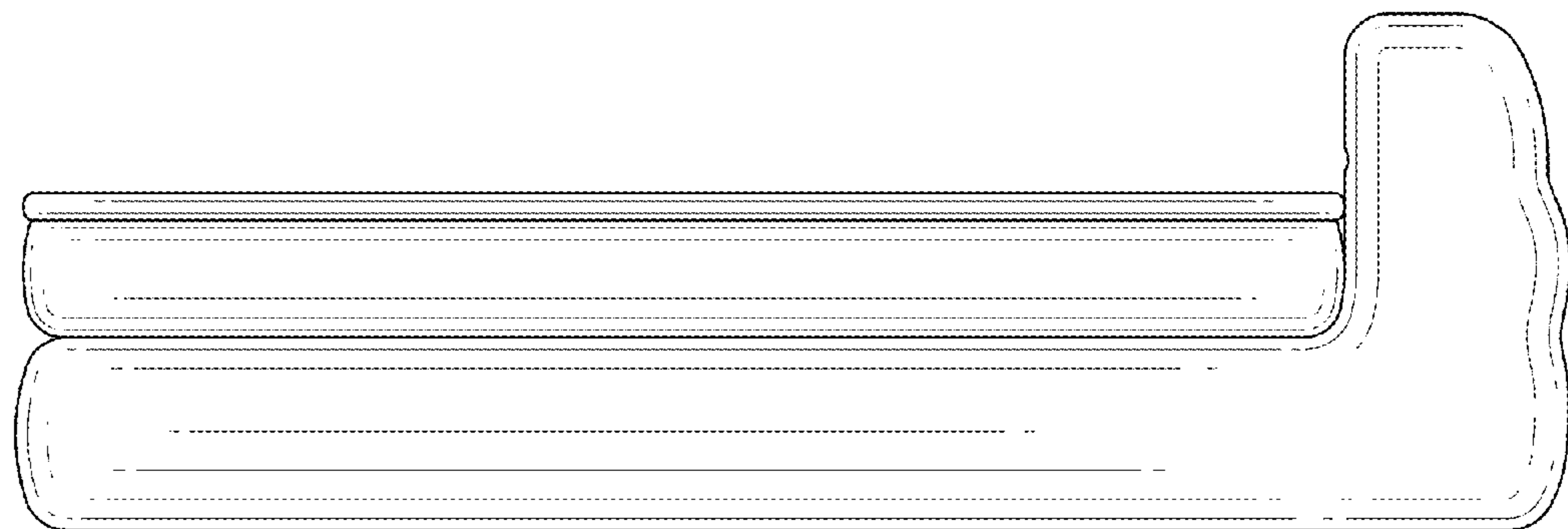


FIG. 6

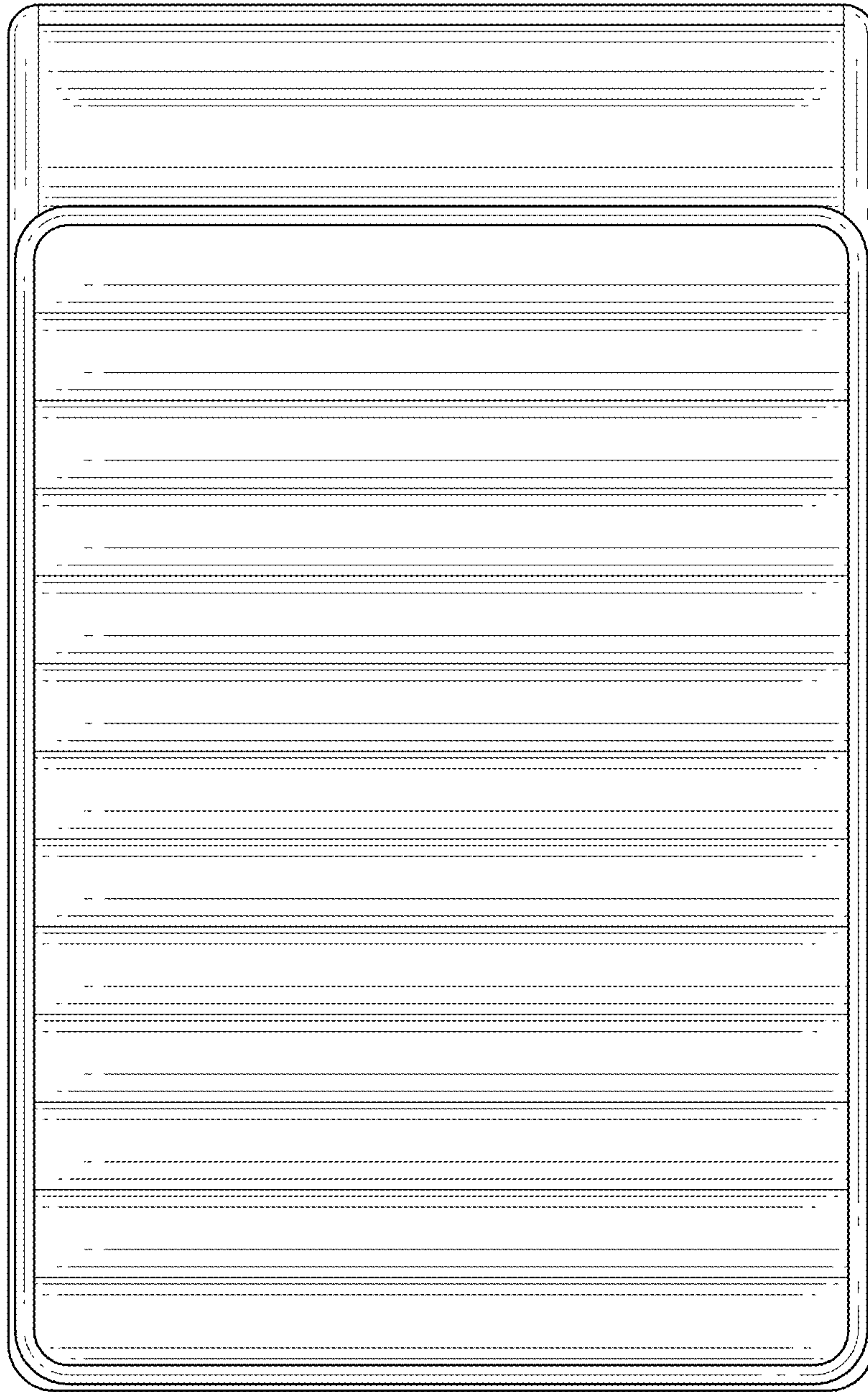


FIG. 7

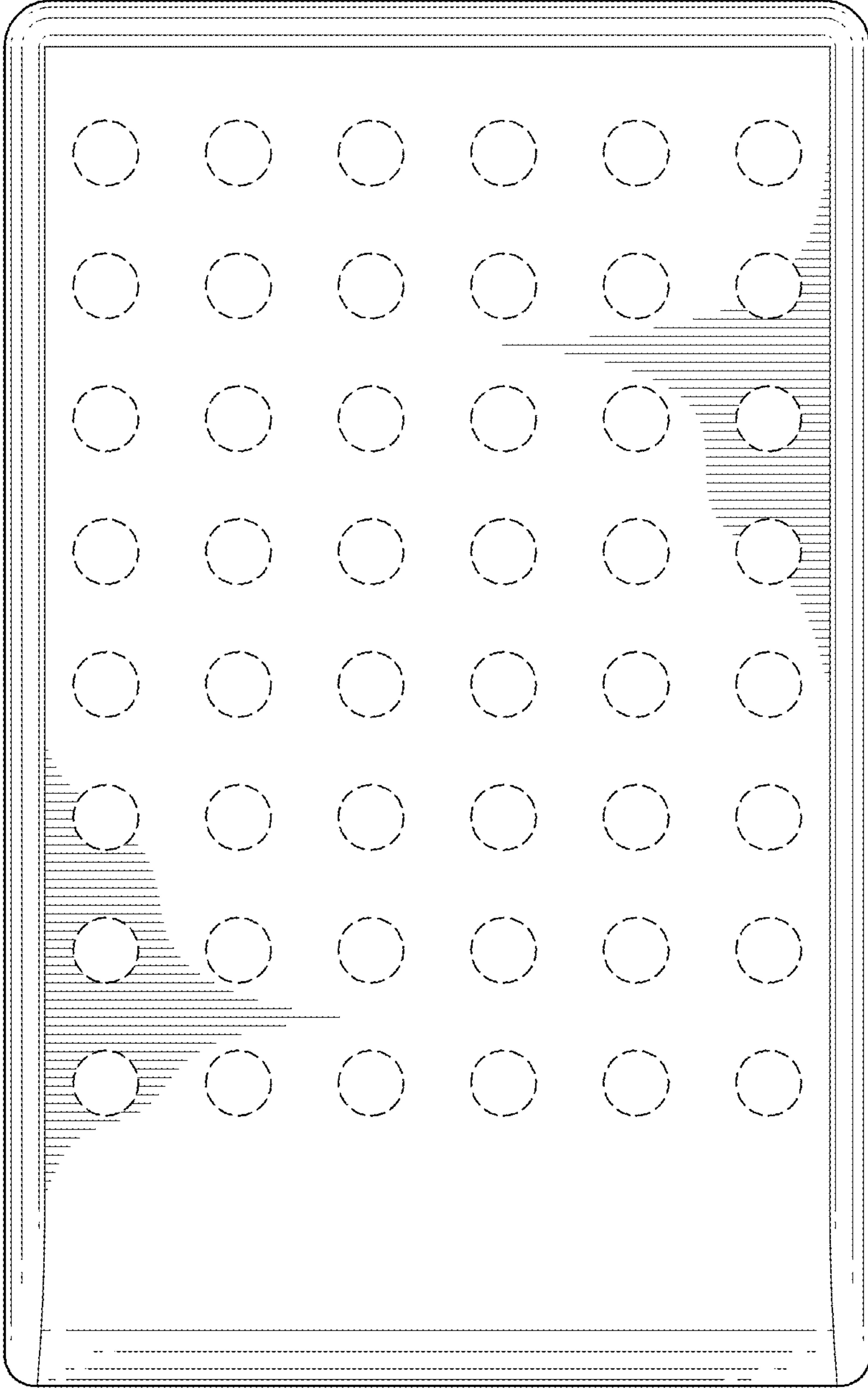


FIG. 8