



US00D747116S

(12) **United States Design Patent**
Stitchick et al.

(10) **Patent No.:** **US D747,116 S**
(45) **Date of Patent:** **** Jan. 12, 2016**

- (54) **COT**
- (71) Applicant: **Foundations Worldwide, Inc.**, Medina, OH (US)
- (72) Inventors: **David Stitchick**, Norton, OH (US);
Joseph A. Lawlor, Medina, OH (US);
Lukasz S. Poslowski, Middleburg Heights, OH (US)
- (73) Assignee: **FOUNDATIONS WORLDWIDE, INC.**, Medina, OH (US)
- (**) Term: **14 Years**
- (21) Appl. No.: **29/497,113**
- (22) Filed: **Jul. 21, 2014**
- (51) **LOC (10) Cl.** **06-02**
- (52) **U.S. Cl.**
USPC **D6/392; D6/382**
- (58) **Field of Classification Search**
USPC D6/382-384, 392, 393, 349, 692.6,
D6/691.8
CPC A47C 19/00; A47C 17/64
See application file for complete search history.

5,992,348	A	11/1999	Harding	
6,345,400	B2	2/2002	Elliott et al.	
6,513,178	B1	2/2003	Kelly et al.	
6,564,400	B2	5/2003	Kelly et al.	
6,701,548	B2	3/2004	Vigneron	
7,086,100	B1	8/2006	Lo	
7,237,281	B2	7/2007	Kelly et al.	
7,260,856	B2	8/2007	Kelly et al.	
7,458,116	B2	12/2008	Kelly et al.	
D731,199	S *	6/2015	Wei	D6/382
2005/0039257	A1 *	2/2005	Kelly et al.	5/110
2005/0166317	A1	8/2005	Kelly	

* cited by examiner

Primary Examiner — Janice Seeger

(74) *Attorney, Agent, or Firm* — Walker & Jocke

(57) **CLAIM**

The ornamental design for a cot, as shown and described.

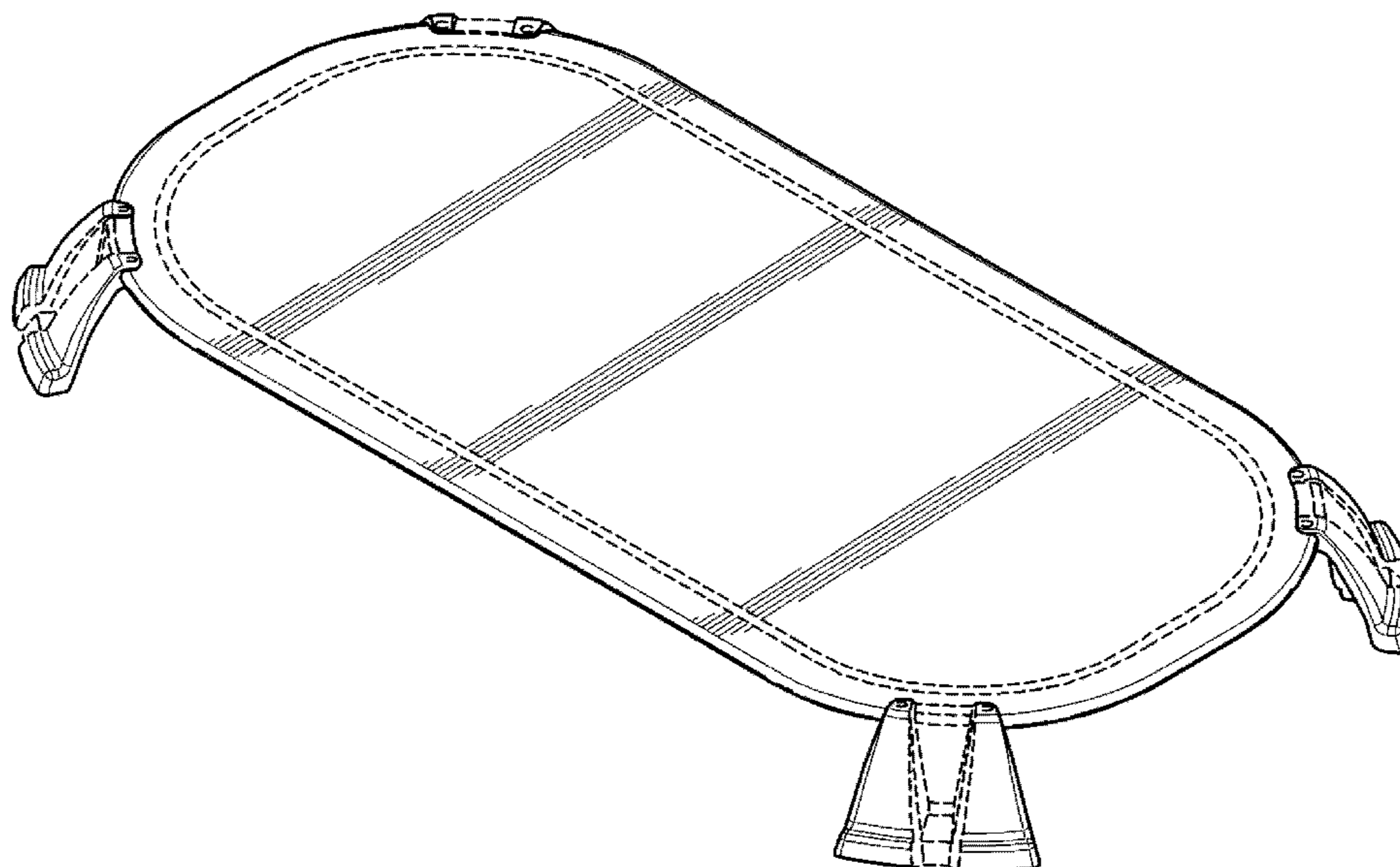
DESCRIPTION

FIG. 1 is a top, front, right side isometric view showing our new design for a cot.
 FIG. 2 is a bottom, front, right side isometric view thereof with the legs in an alternate position.
 FIG. 3 is a front view thereof, the back being a mirror image thereof.
 FIG. 4 is a right side view thereof, the left side being a minor image thereof.
 FIG. 5 is a top view thereof.
 FIG. 6 is a bottom view thereof.
 FIG. 7 is a top front view of one of the legs of the cot; and, FIG. 8 is a bottom back view thereof.
 The broken lines indicate unclaimed portions and form no part of the claimed design.

1 Claim, 7 Drawing Sheets

(56) **References Cited**
U.S. PATENT DOCUMENTS

4,958,390	A	9/1990	Mendenhall
5,003,649	A	4/1991	Kelly
D328,401	S	8/1992	Kelly
5,263,424	A	11/1993	Kelly et al.
5,303,438	A	4/1994	Walker
5,490,292	A	2/1996	Auburn



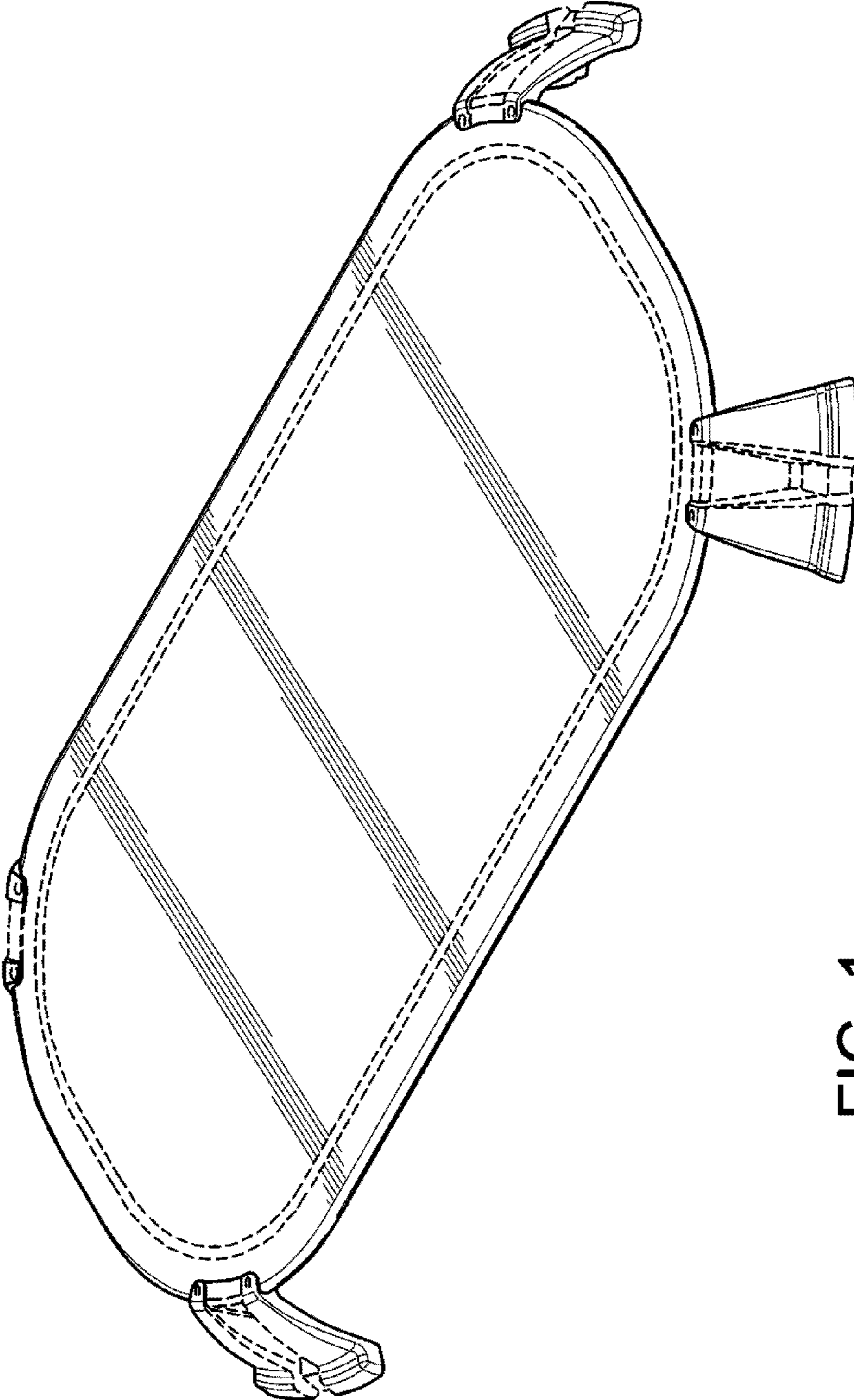


FIG. 1

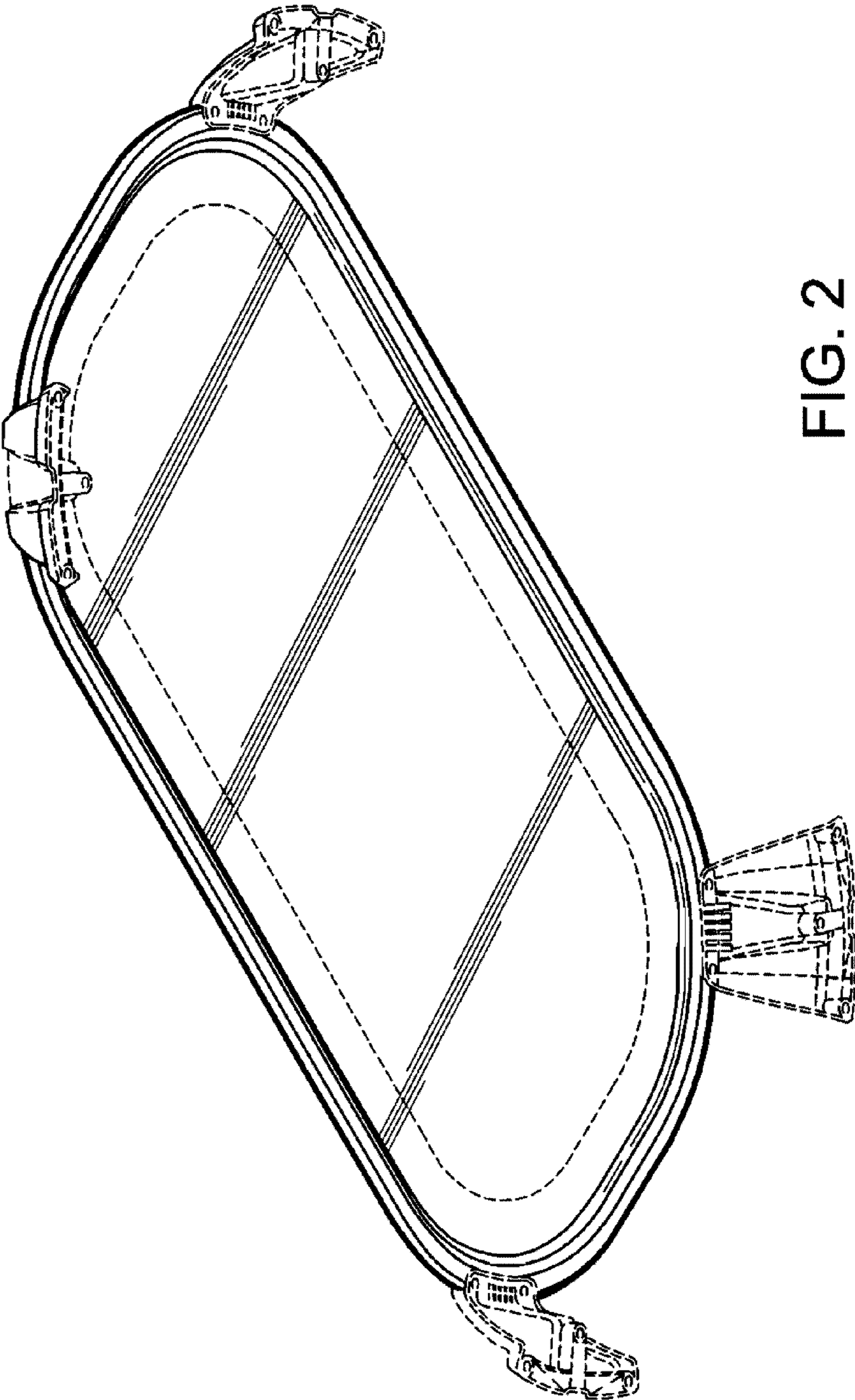


FIG. 2

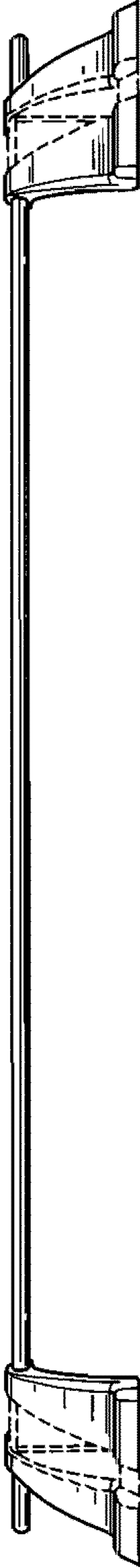


FIG. 3

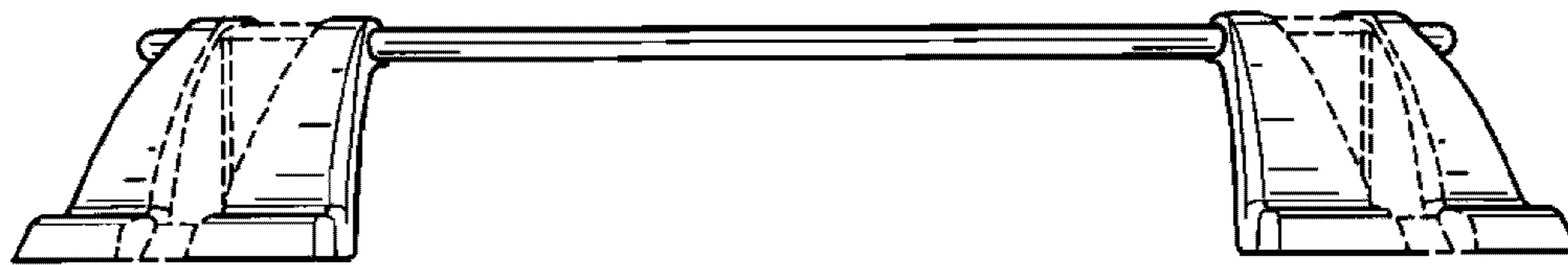


FIG. 4

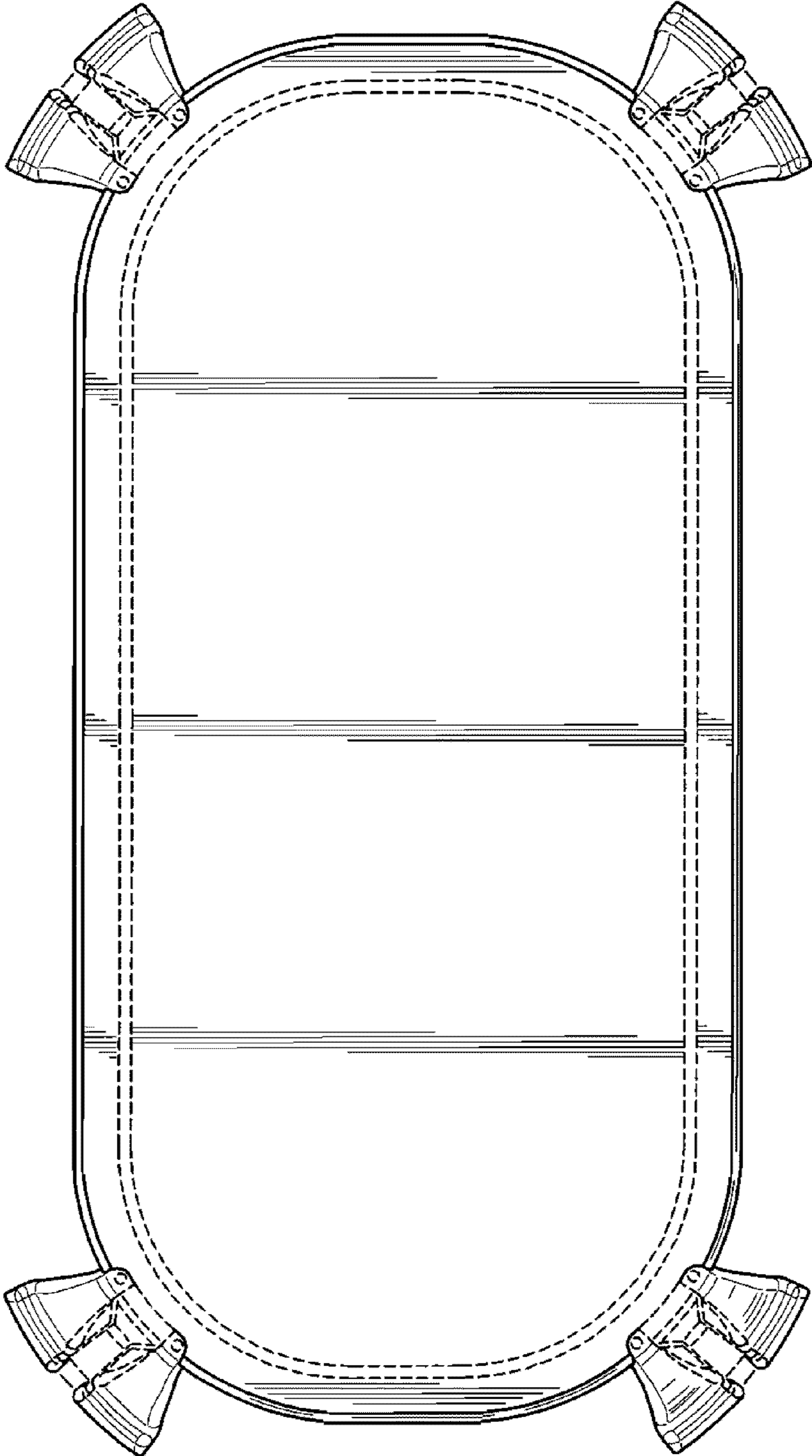


FIG. 5

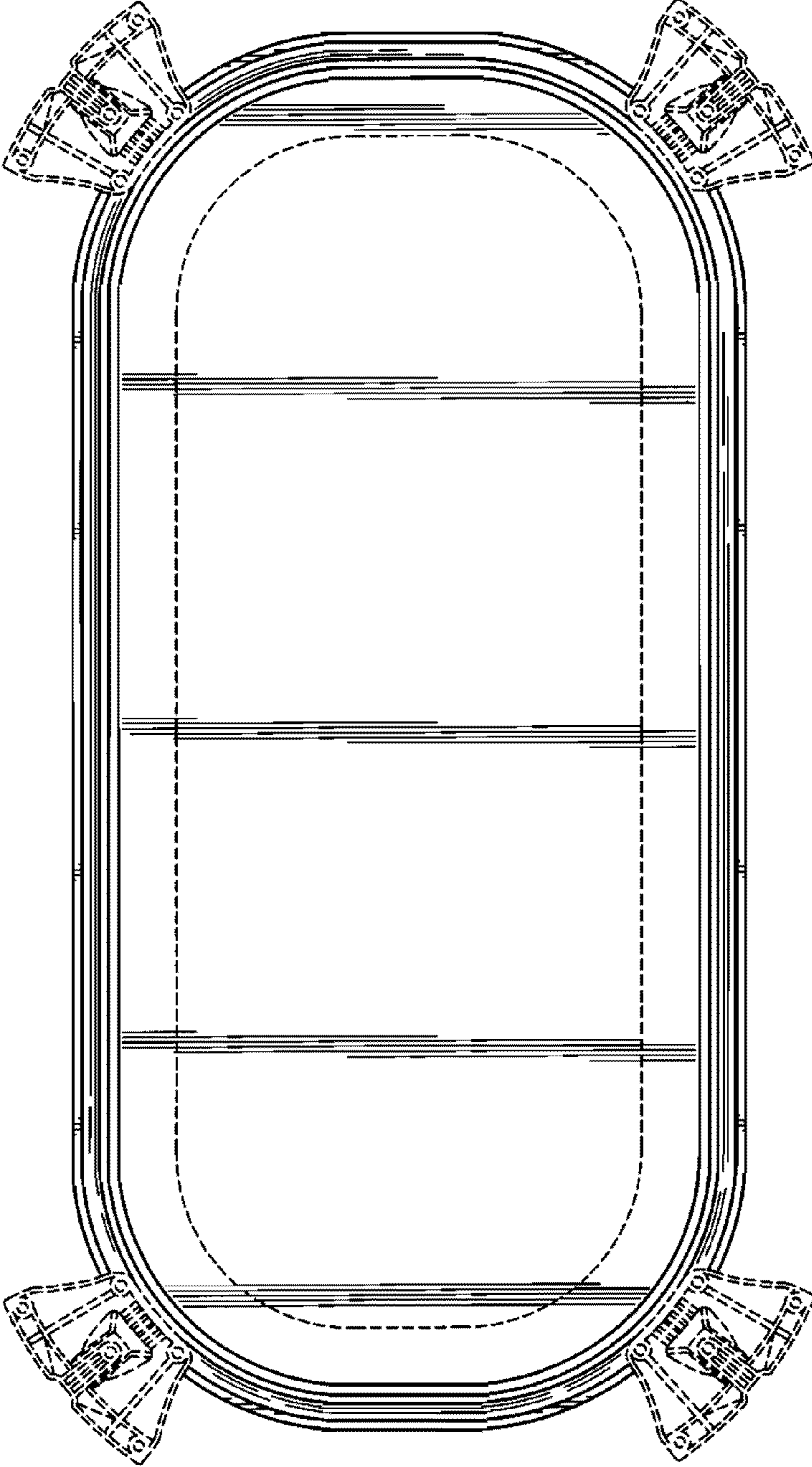


FIG. 6

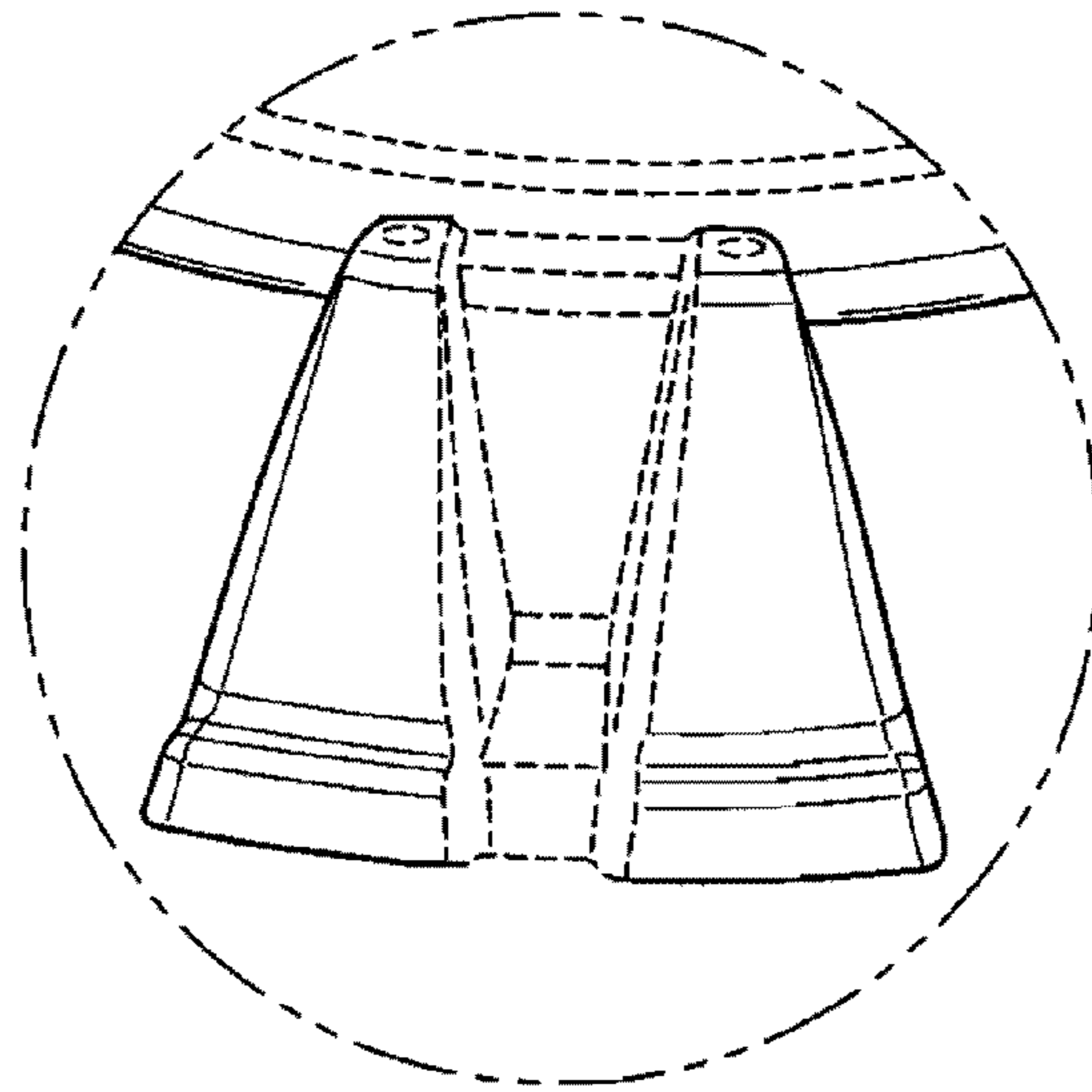


FIG. 7

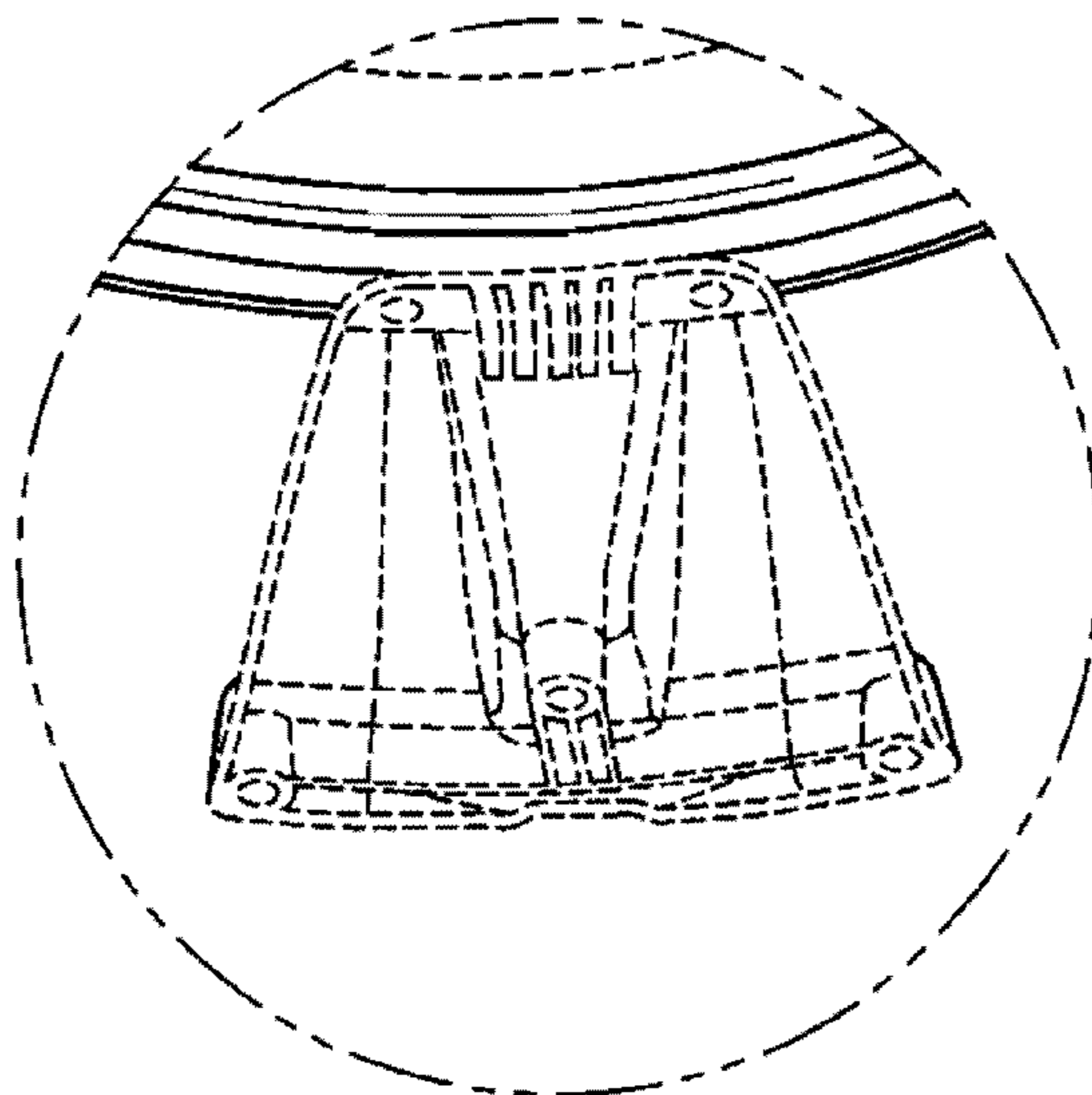


FIG. 8