



US00D747115S

(12) **United States Design Patent**
Lievore et al.

(10) **Patent No.:** **US D747,115 S**
(45) **Date of Patent:** **** Jan. 12, 2016**

(54) **SOFA**

CPC A47C 11/00; A47C 3/12; A47C 7/16;
A47C 4/03; B60N 2/686
See application file for complete search history.

(71) Applicant: **ARPER S.p.A.**, Monastier di Treviso,
Treviso (IT)

(56) **References Cited**

(72) Inventors: **Alberto Lievore**, Treviso (IT);
Jeannette Altherr, Treviso (IT); **Manel**
Molina, Treviso (IT)

U.S. PATENT DOCUMENTS

(73) Assignee: **ARPER S.p.A.**, Monastier di Treviso,
Treviso (IT)

D183,481 S * 9/1958 Feistel, Jr. D6/374
D230,384 S * 2/1974 Bialosky D6/375
D236,669 S * 9/1975 Macy D6/380
D482,885 S * 12/2003 Chipman D6/370
D577,927 S * 10/2008 Balsley D6/381

(**) Term: **14 Years**

* cited by examiner

(21) Appl. No.: **29/502,581**

Primary Examiner — Mimosa De

(22) Filed: **Sep. 17, 2014**

(74) *Attorney, Agent, or Firm* — Merchant & Gould P.C.

(30) **Foreign Application Priority Data**

(57) **CLAIM**

The ornamental design for a sofa, as shown and described.

Mar. 21, 2014 (WO) 801813901

(51) **LOC (10) Cl.** **06-01**

(52) **U.S. Cl.**

USPC **D6/375**

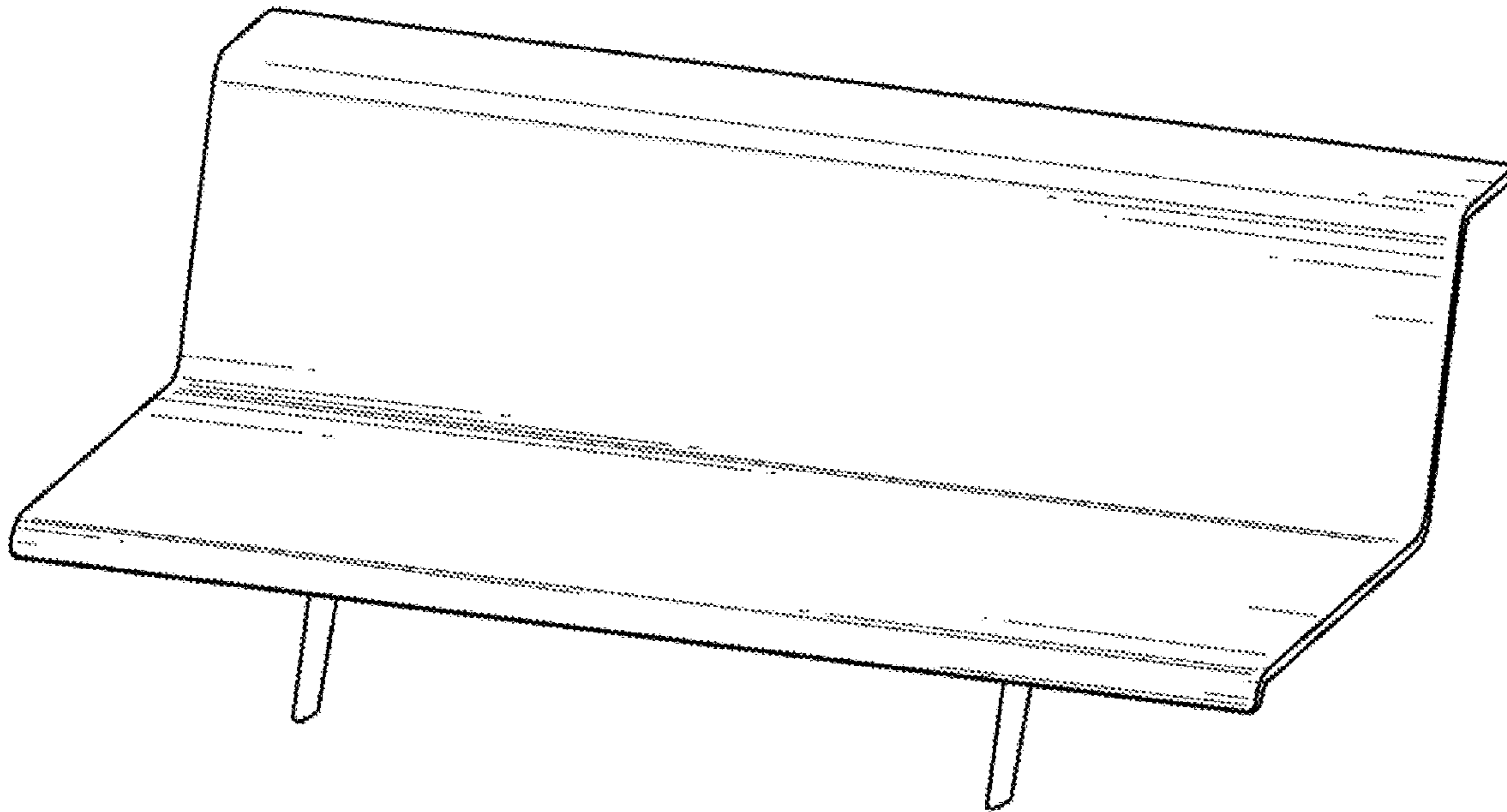
(58) **Field of Classification Search**

USPC D6/334–336, 370, 371–373, 375, 374,
D6/379, 380, 716, 716.1, 716.2, 716.3,
D6/716.4

DESCRIPTION

FIG. 1 is a perspective view of a sofa showing our new design;
FIG. 2 is a right side view thereof;
FIG. 3 is a left side view thereof;
FIG. 4 is a front view thereof;
FIG. 5 is a rear view thereof;
FIG. 6 is a top plan view thereof; and,
FIG. 7 is a bottom plan view thereof.

1 Claim, 7 Drawing Sheets



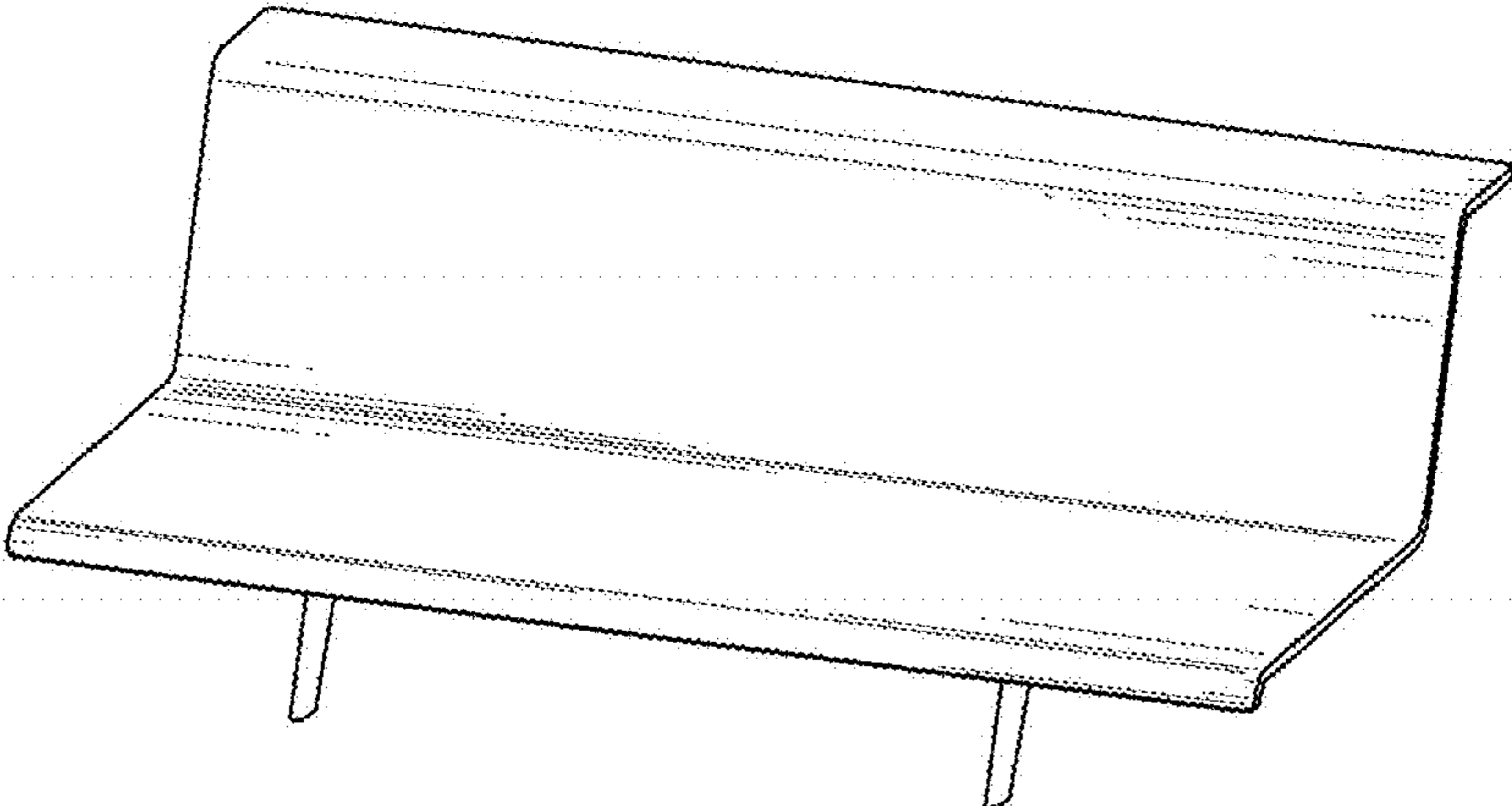


Fig. 1

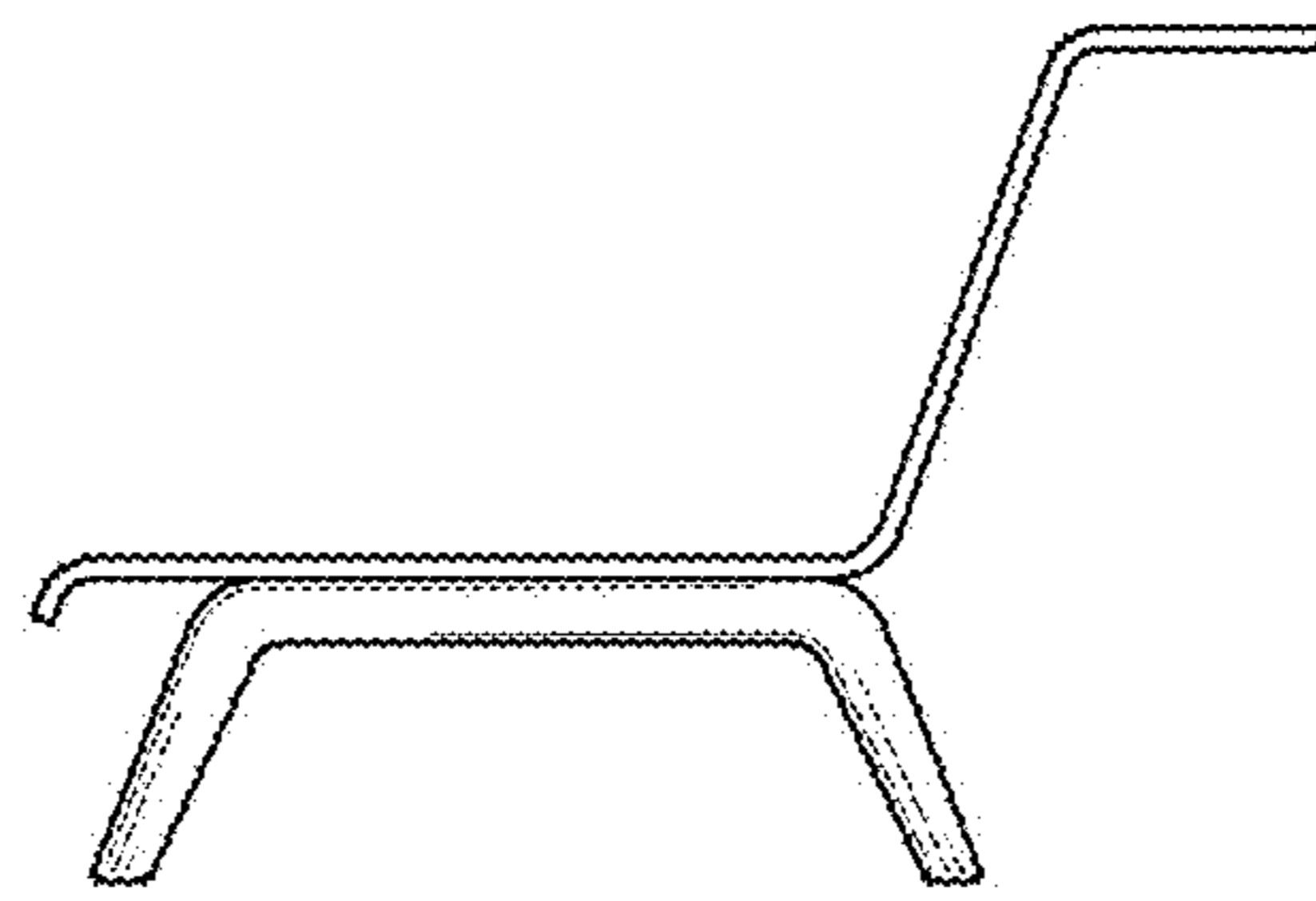


Fig.2

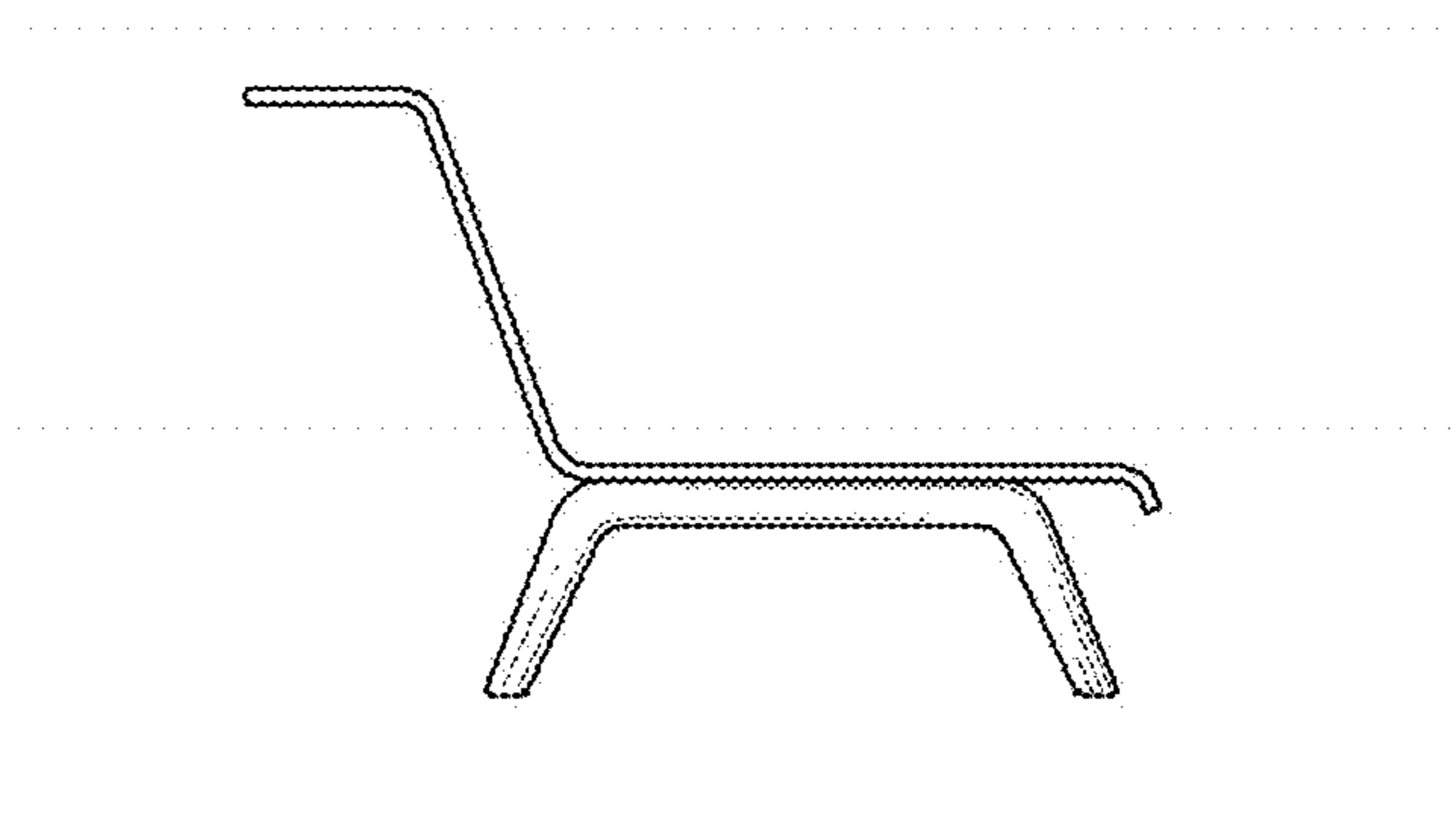


Fig.3

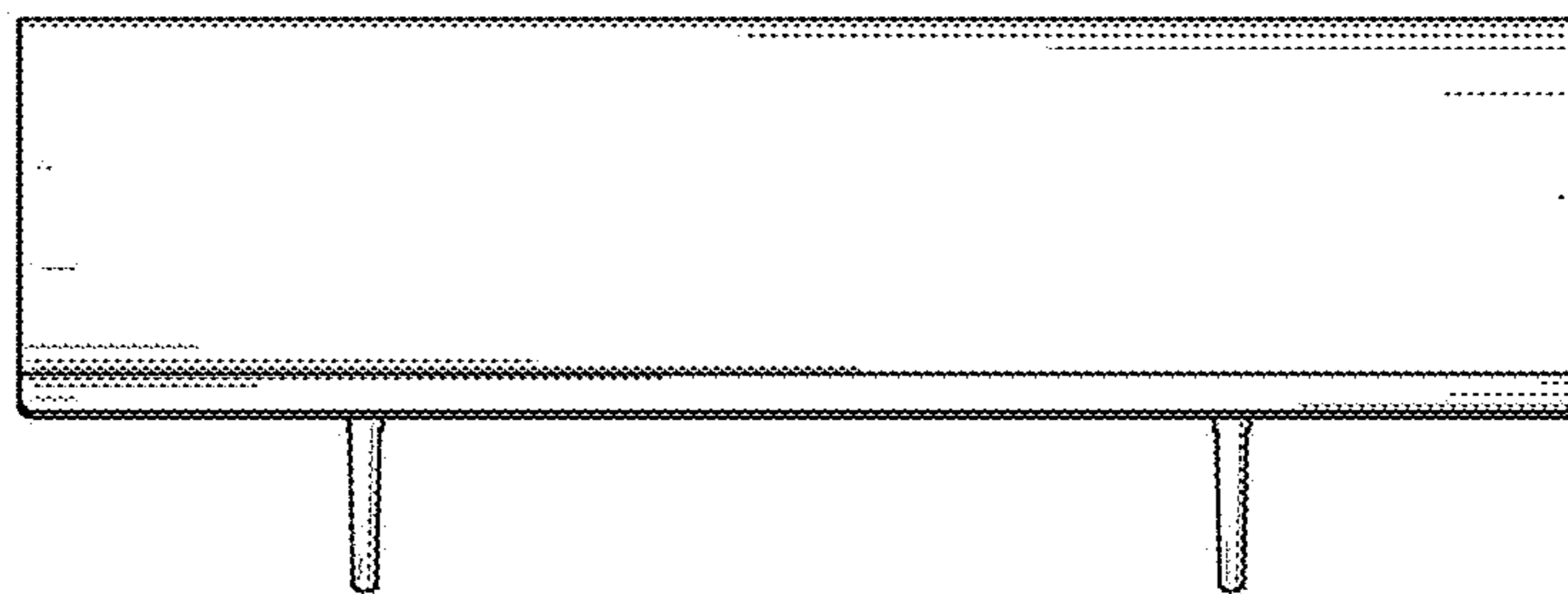


Fig.4

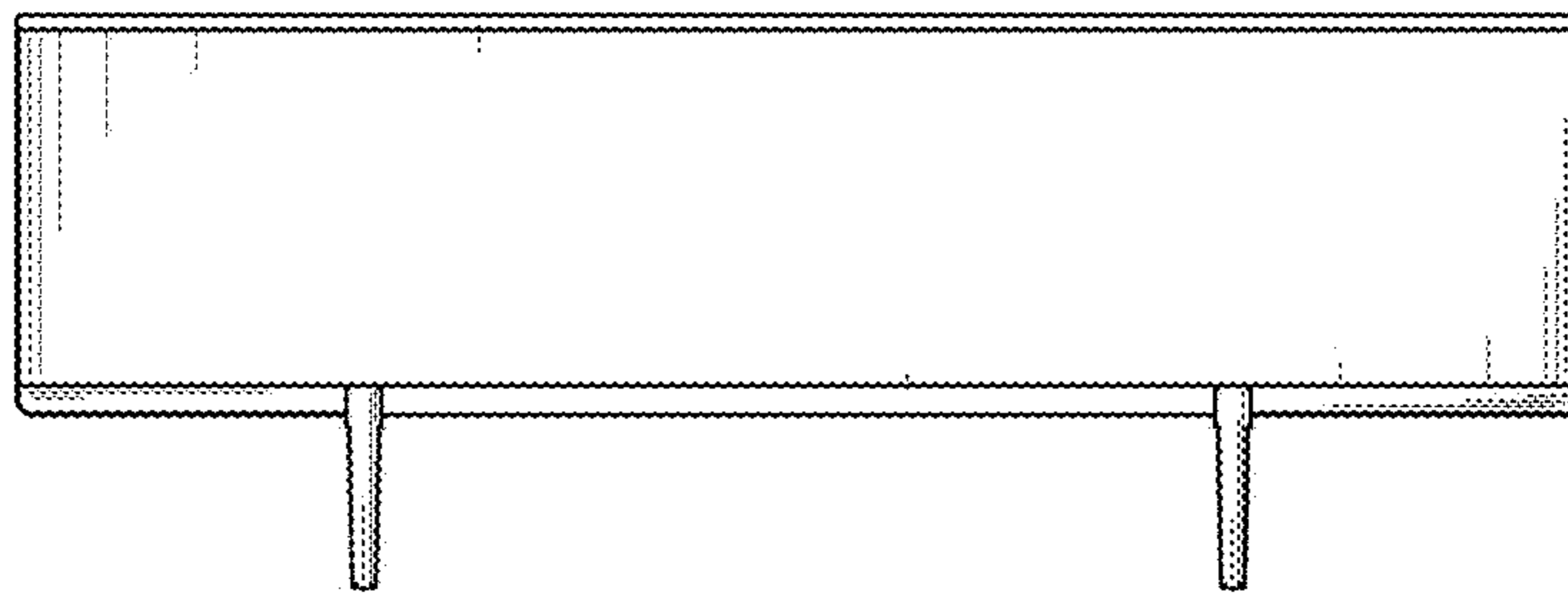


Fig.5

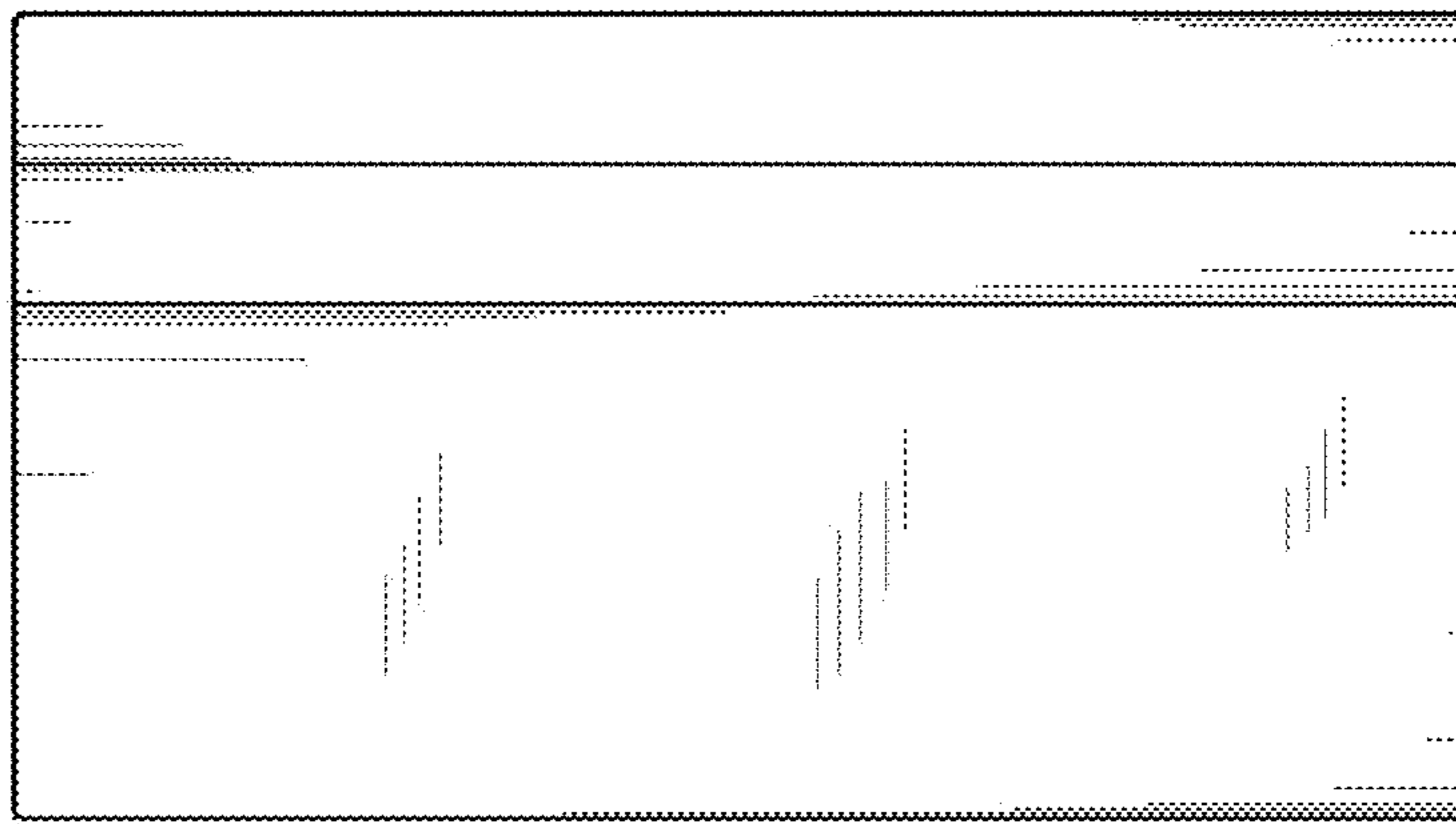


Fig.6

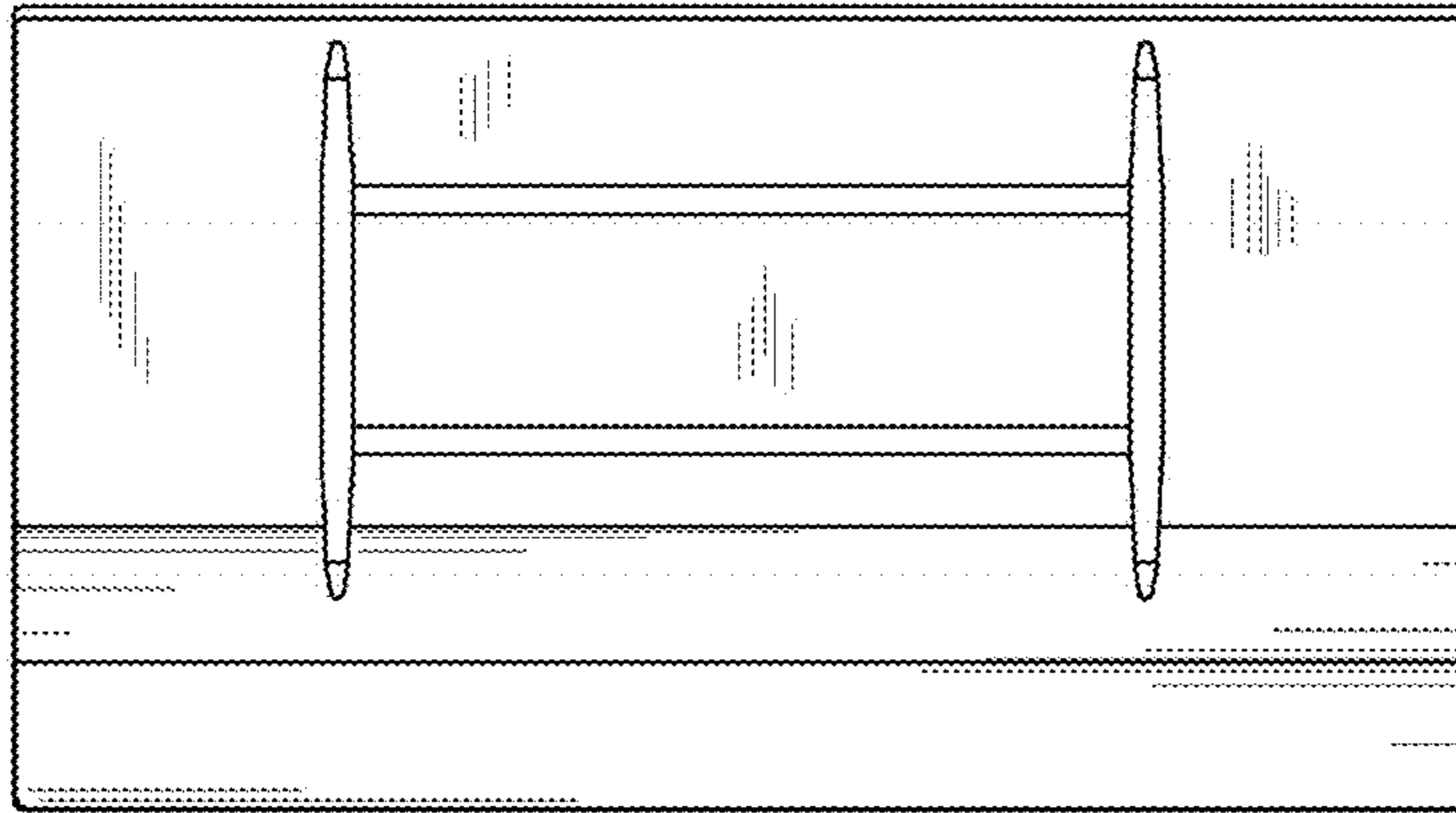


Fig.7