



US00D747113S

(12) **United States Design Patent**
Goodman et al.

(10) **Patent No.:** **US D747,113 S**
(45) **Date of Patent:** **** Jan. 12, 2016**

(54) **HANDBAG ORGANIZER**

(56) **References Cited**

(71) Applicant: **Spectrum Diversified Designs, Inc.**,
Streetsboro, OH (US)
(72) Inventors: **Sheldon H. Goodman**, Solon, OH (US);
Phaysouk Xayoiphonh, Akron, OH
(US); **Christopher Francis Boron**,
North Ridgeville, OH (US)
(73) Assignee: **Spectrum Diversified Designs, Inc.**,
Streetsboro, OH (US)

U.S. PATENT DOCUMENTS

1,533,805	A	*	4/1925	Oliver	204/297.06
D228,737	S	*	10/1973	Mathews	D8/356
D261,960	S	*	11/1981	Mathews	D8/356
D323,286	S	*	1/1992	Roetting	D8/372
D480,293	S	*	10/2003	Ismail	D8/372
D486,309	S	*	2/2004	Abdi et al.	D6/315
D566,405	S	*	4/2008	Belokin	D6/315
D624,758	S	*	10/2010	Seehoff	D6/323
2013/0299527	A1	*	11/2013	Mazyck	223/88

* cited by examiner

(**) Term: **14 Years**

Primary Examiner — Derrick Holland
Assistant Examiner — Lauren Calve

(21) Appl. No.: **29/507,725**

(74) *Attorney, Agent, or Firm* — Benesch Friedlander
Coplan Aronoff LLP

(22) Filed: **Oct. 30, 2014**

(51) **LOC (10) Cl.** **06-08**

(52) **U.S. Cl.**
USPC **D6/315**

(57) **CLAIM**

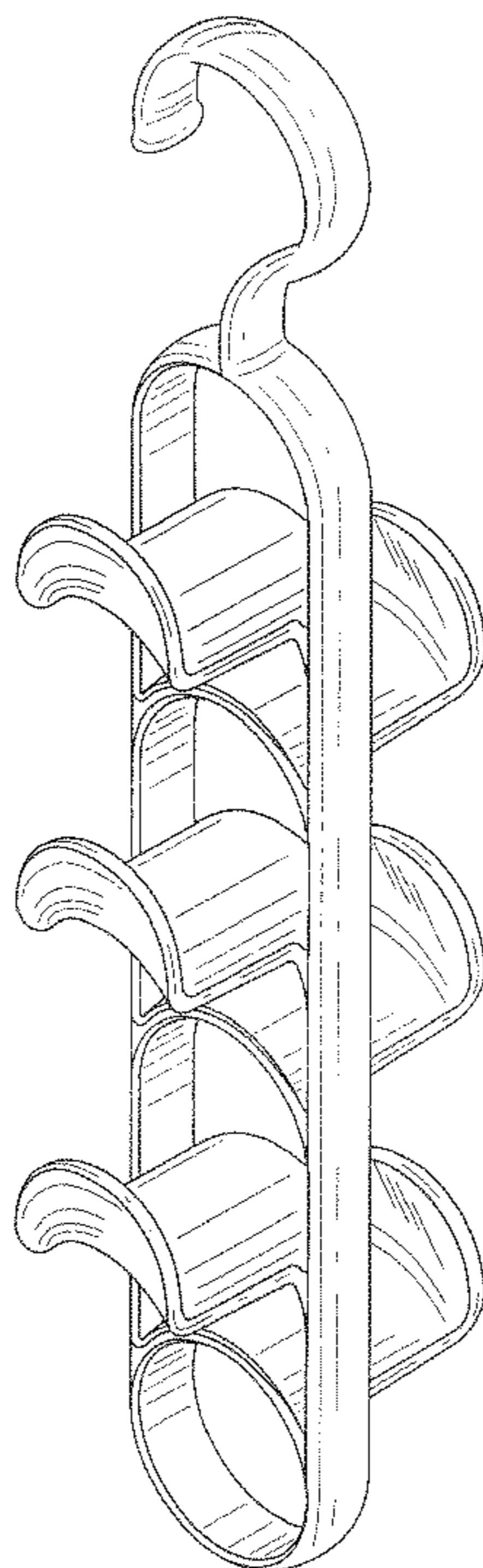
What is claimed is the ornamental design for a handbag organizer, as shown and described.

(58) **Field of Classification Search**
USPC D6/315–328; 223/85–98; 211/10, 13.1,
211/85.2, 86.01, 87.01, 113; D8/356, 367,
D8/372
CPC A47G 25/32; A47G 25/28; A47G 25/743;
A47G 25/26; A47G 25/30; A47G 25/1442;
A47G 25/06; A47G 25/38; A47G 25/50;
A47G 25/06; A47G 25/74; A47G 25/1414;
A47G 25/34; A47G 29/08; A47G 29/00;
A47F 5/0006; A47F 7/19; A47F 7/12
See application file for complete search history.

DESCRIPTION

FIG. 1 is a perspective view of a handbag organizer showing a new design;
FIG. 2 is a front view of the handbag organizer of FIG. 1;
FIG. 3 is a rear view of the handbag organizer of FIG. 1;
FIG. 4 is a top view of the handbag organizer of FIG. 1;
FIG. 5 is a bottom view of the handbag organizer of FIG. 1;
FIG. 6 is a right side view of the handbag organizer of FIG. 1;
and,
FIG. 7 is a left side view of the handbag organizer of FIG. 1.

1 Claim, 3 Drawing Sheets



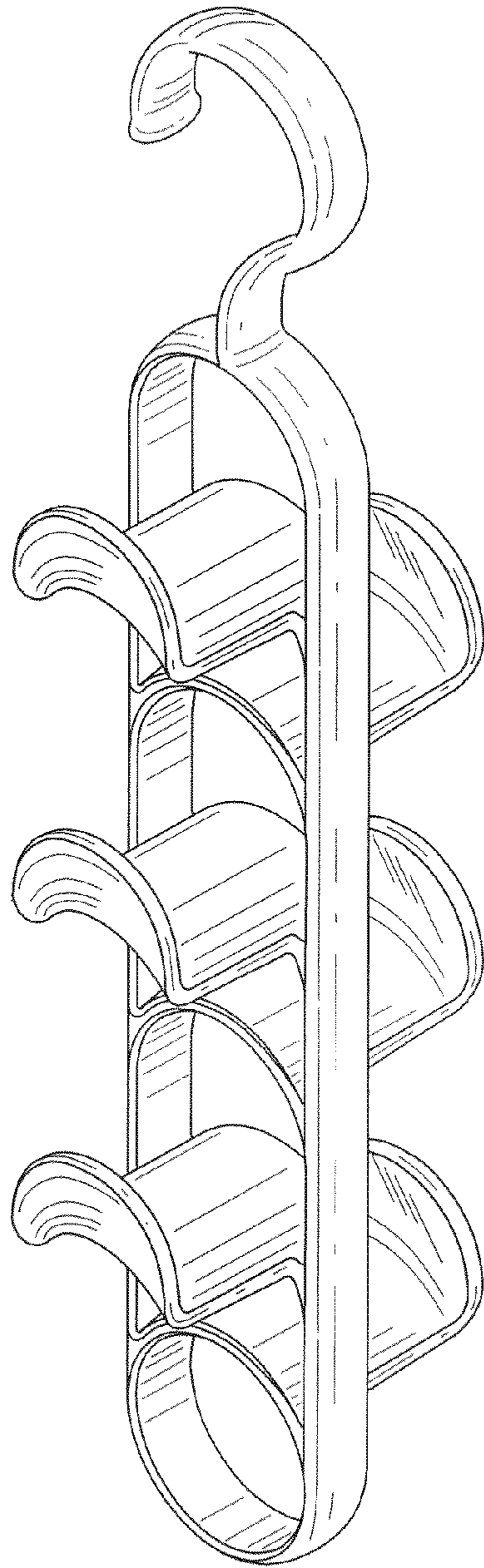


FIG 1

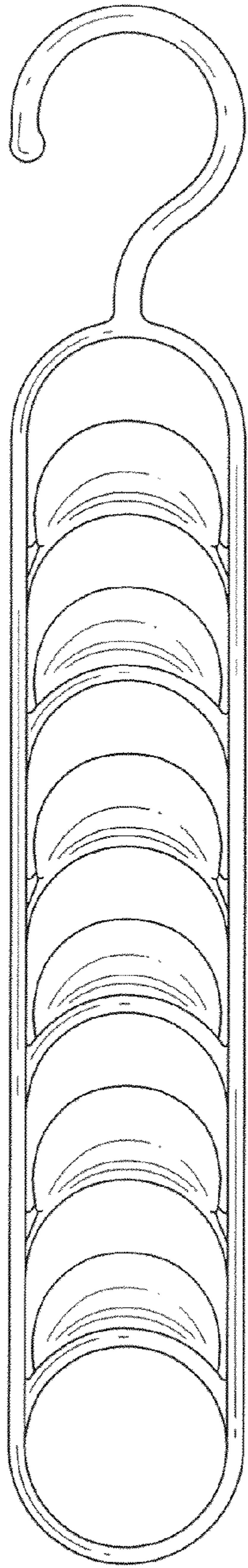


FIG 2

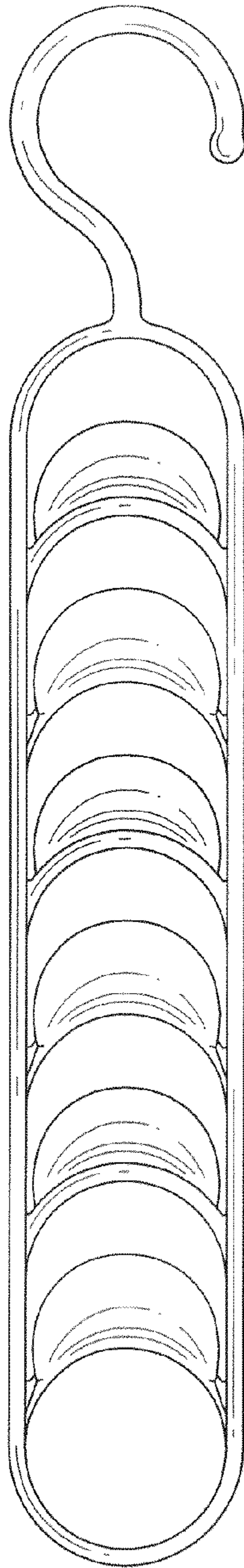


FIG 3

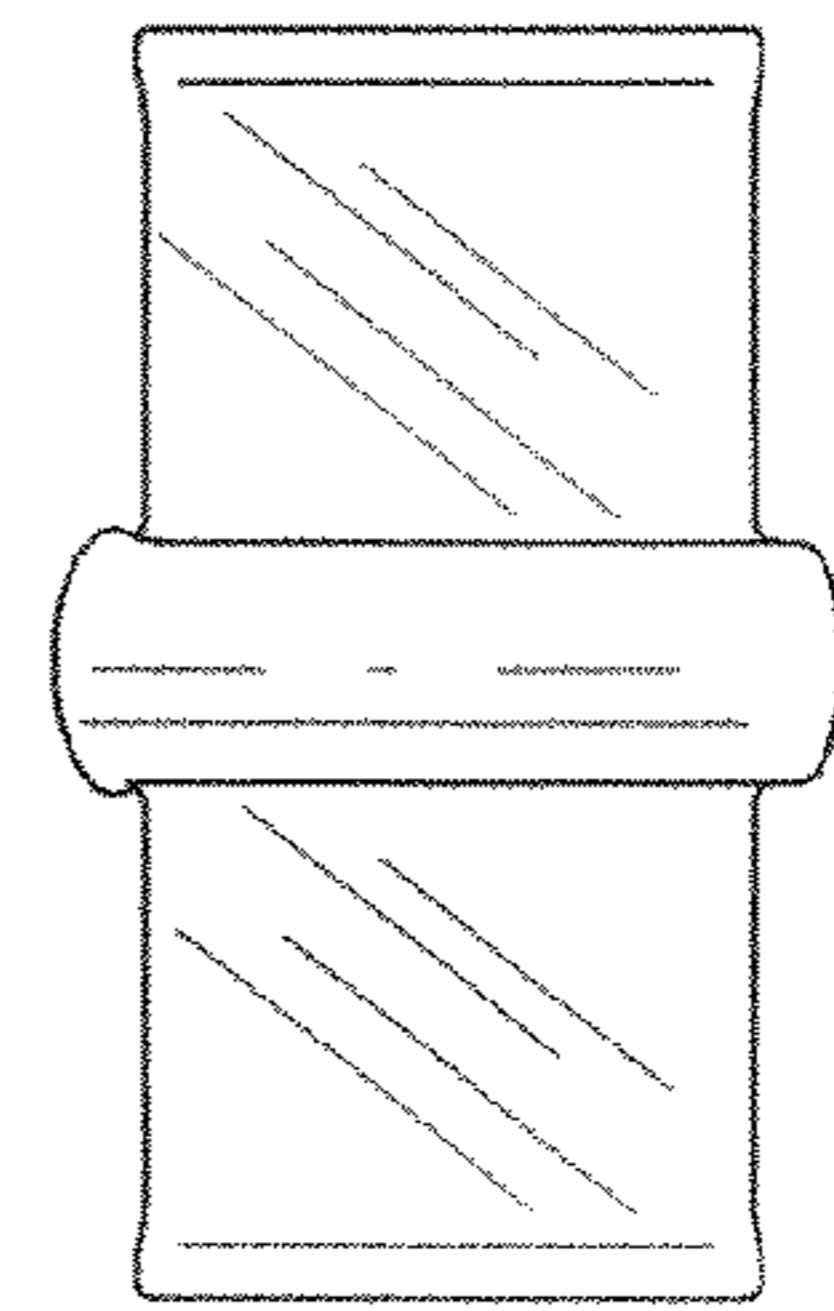


FIG 4

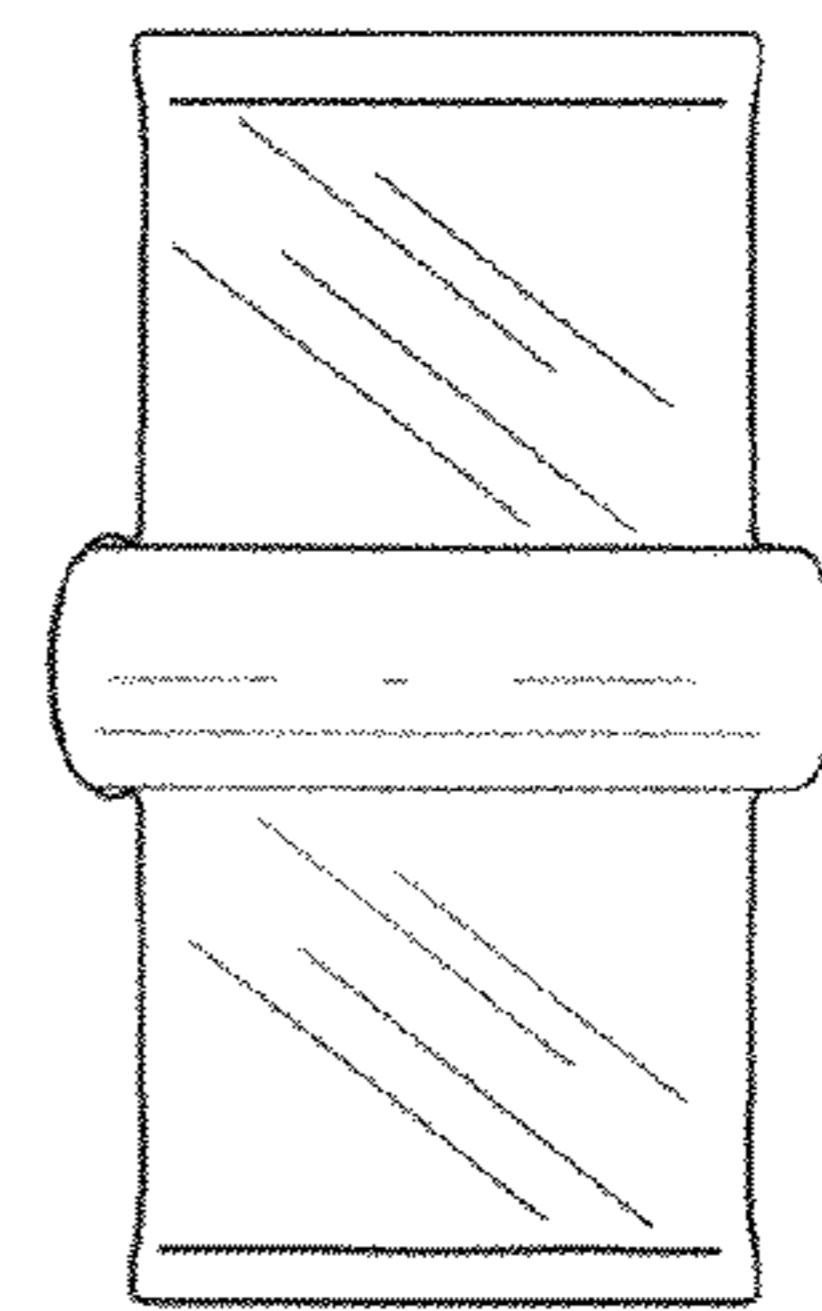


FIG 5

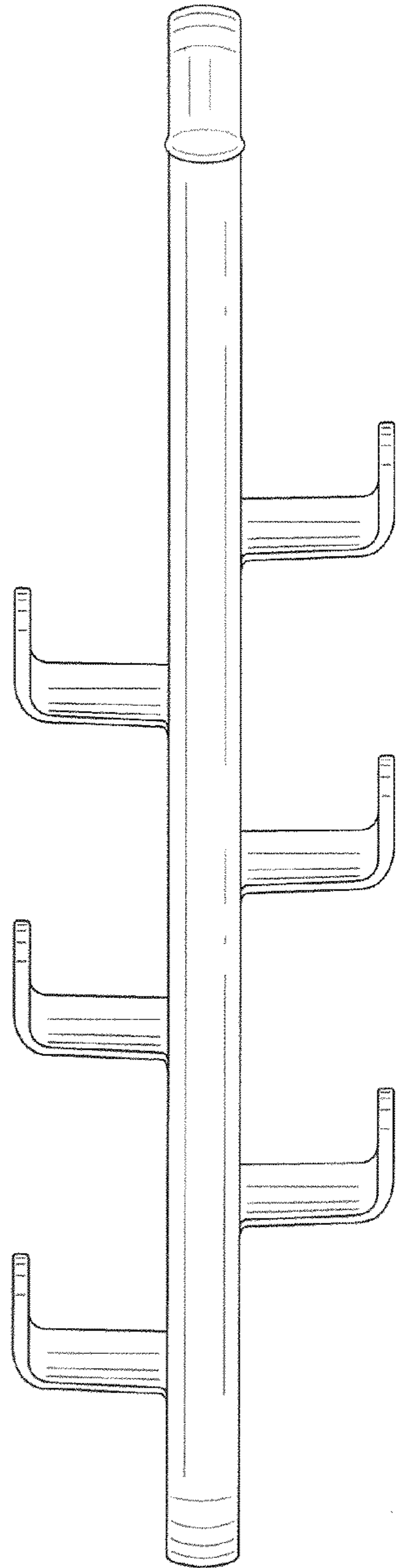


FIG 6

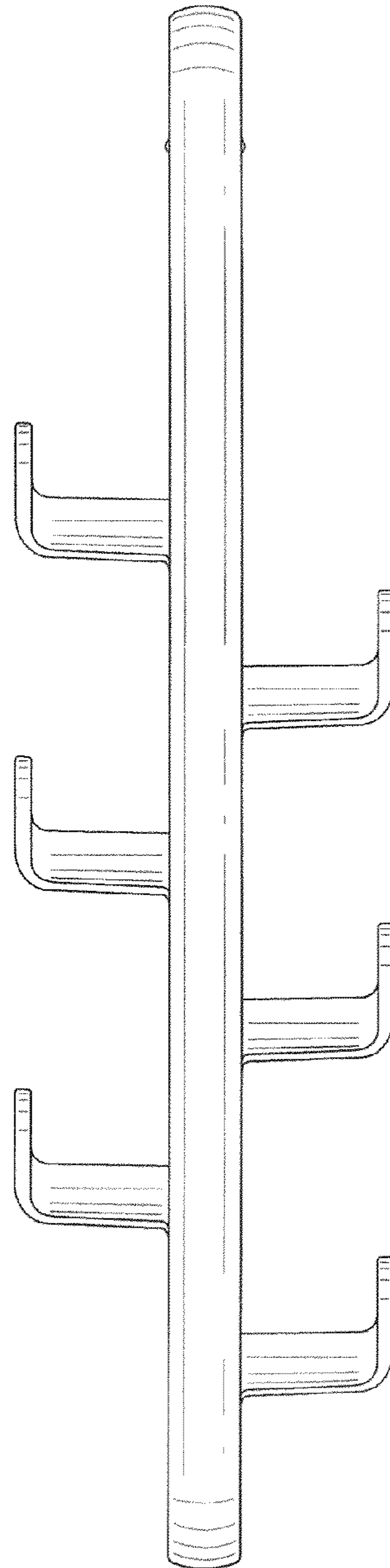


FIG 7