



US00D747111S

(12) **United States Design Patent**
Simoes et al.

(10) **Patent No.:** **US D747,111 S**
(45) **Date of Patent:** **** Jan. 12, 2016**

- (54) **PICTURE MOUNT**
- (71) Applicant: **Daniel Raul Simoes**, Northcliff (ZA)
- (72) Inventors: **Daniel Raul Simoes**, Northcliff (ZA);
Cornelius Alewyn Botha, Johannesburg (ZA); **Nichlas Kulenkampff**, Cape Town (ZA)
- (73) Assignee: **Daniel Raul Simoes**, Northcliff (ZA)
- (**) Term: **14 Years**
- (21) Appl. No.: **29/512,161**
- (22) Filed: **Dec. 17, 2014**
- (30) **Foreign Application Priority Data**

Jun. 18, 2014 (ZA) F2014/00967

(51) **LOC (10) Cl.** **06-07**

(52) **U.S. Cl.**
USPC **D6/301**

(58) **Field of Classification Search**
 USPC D6/300–314; D11/132, 133; D20/10,
 D20/19, 40, 42, 43, 99, 15, 27; 312/114;
 D14/373, 375, 377, 432, 448, 451,
 D14/452; 248/276.1, 434, 176.1, 187.1,
 248/176.3, 188, 188.6, 201, 205.1, 274.1,
 248/309.1
 CPC ... F16M 11/2014; F16M 11/10; F16M 11/12;
 F16M 11/04; F16M 11/18; F16M 13/022;
 A47G 1/16; H02S 20/00; H02S 20/24
 See application file for complete search history.

(56) **References Cited**

U.S. PATENT DOCUMENTS

4,673,152 A * 6/1987 Brown 248/216.1
D473,667 S * 4/2003 Fromm D26/56

(Continued)

OTHER PUBLICATIONS

Quad LCD Monitor Pole Mount, available Apr. 25, 2010, [online], [site visited Jul. 22, 2015]. Available from internet, <URL: <http://www.ergofurniture.com.au/prima-quad-monitor-pole-system.html>>.*

(Continued)

Primary Examiner — Cathron Brooks
Assistant Examiner — Teddy Falloway

(74) *Attorney, Agent, or Firm* — Haugen Law Firm PLLP

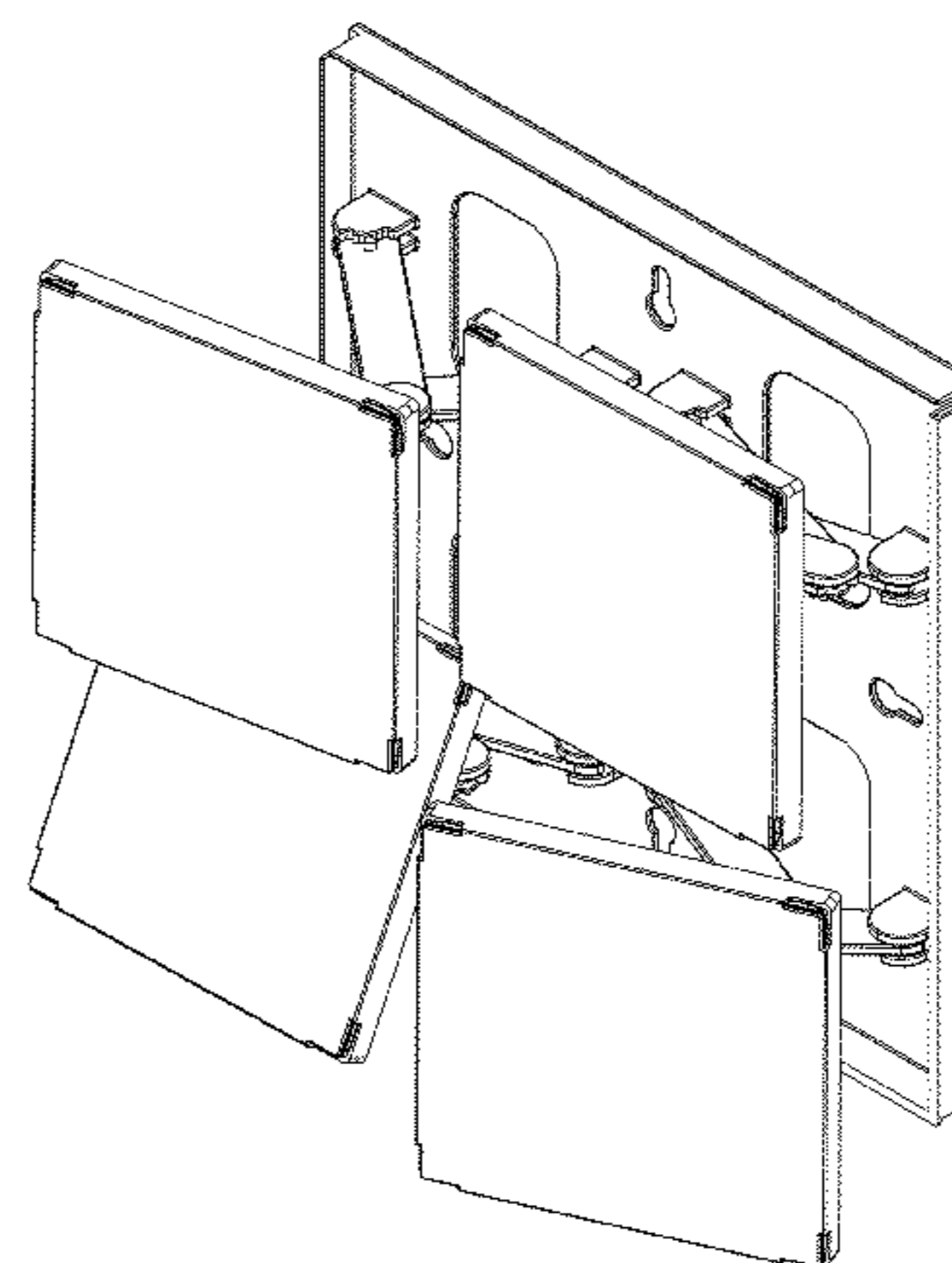
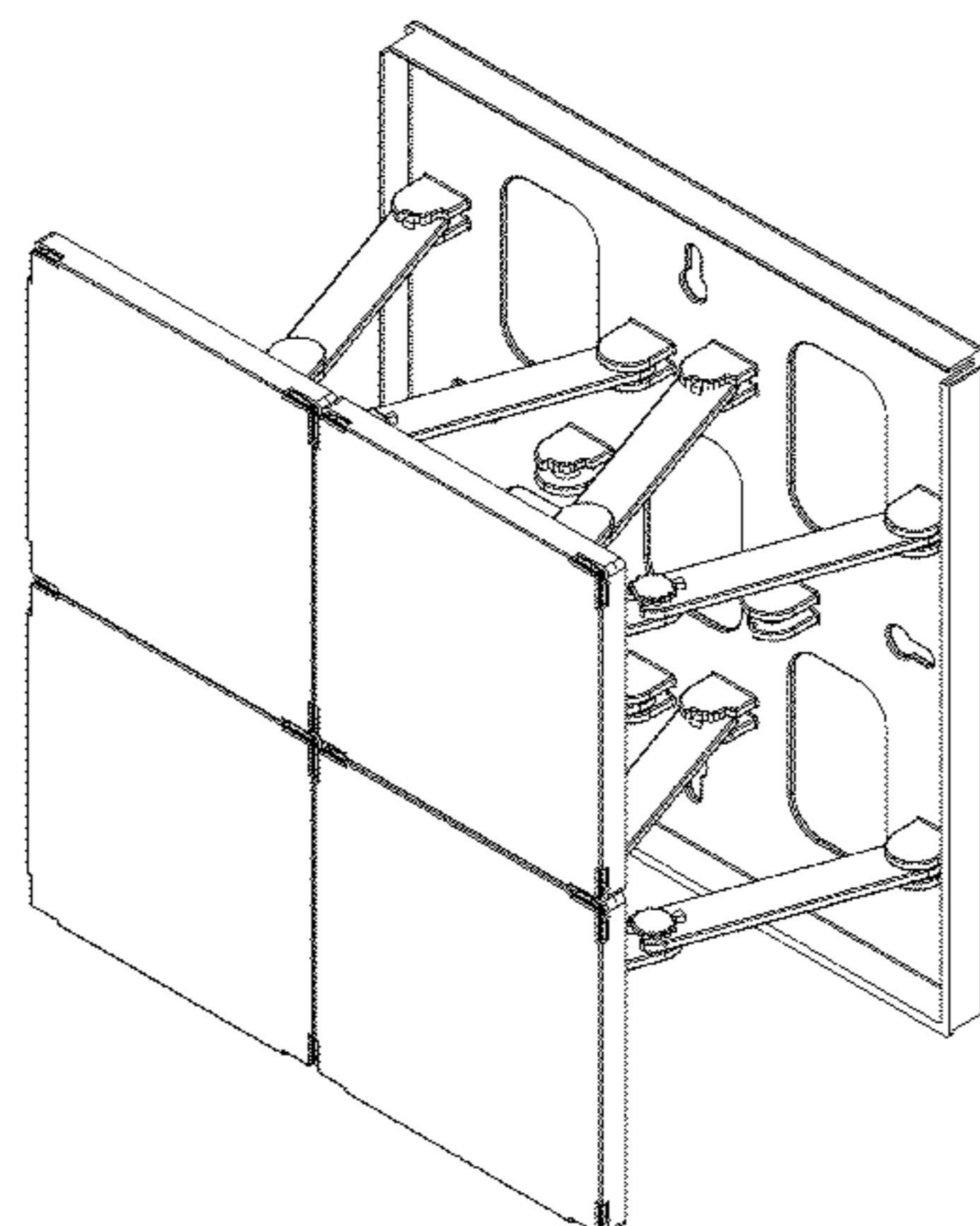
(57) **CLAIM**

The ornamental design for a picture mount, as shown and described.

DESCRIPTION

FIG. 1 is a perspective view of the design in an extended condition;
 FIG. 2 is a front elevational view of the design in the condition of FIG. 1;
 FIG. 3 is a rear elevational view of the design in the condition of FIG. 1;
 FIG. 4 is a left side elevational view of the design in the condition of FIG. 1;
 FIG. 5 is a right side elevational view of the design in the condition of FIG. 1;
 FIG. 6 is a top plan view of the design in the condition of FIG. 1;
 FIG. 7 is a bottom plan view of the design in the condition of FIG. 1;
 FIG. 8 is a perspective view of the design in a retracted condition;
 FIG. 9 is a front elevational view of the design in the condition of FIG. 8;
 FIG. 10 is a rear elevational view of the design in the condition of FIG. 8;
 FIG. 11 is a left side elevational view of the design in the condition of FIG. 8;
 FIG. 12 is a right side elevational view of the design in the condition of FIG. 8;
 FIG. 13 is a top plan view of the design in the condition of FIG. 8;
 FIG. 14 is a bottom plan view of the design in the condition of FIG. 8;
 FIG. 15 is perspective view of the design in an intermediate condition;
 FIG. 16 is a front elevational view of the design in the condition of FIG. 15;
 FIG. 17 is a rear elevational view of the design in the condition of FIG. 15;
 FIG. 18 is a left side elevational view of the design in the condition of FIG. 15;
 FIG. 19 is a right side elevational view of the design in the condition of FIG. 15;
 FIG. 20 is a top plan view of the design in the condition of FIG. 15; and,
 FIG. 21 is a bottom plan view of the design in the condition of FIG. 15.
 The broken line showing in FIGS. 3, 10, and 17 illustrates environmental structure, and forms no part of the claimed design.

1 Claim, 21 Drawing Sheets



(56)

References Cited

U.S. PATENT DOCUMENTS

D528,804 S * 9/2006 Boergens D6/301
 D600,233 S * 9/2009 Birsal et al. D14/203.3
 D626,100 S * 10/2010 Huang D14/125
 D632,301 S * 2/2011 Kasuga et al. D14/452
 8,240,628 B2 * 8/2012 Huang 248/316.1
 8,245,363 B2 * 8/2012 Glasser 24/304
 RE43,921 E * 1/2013 Smed 248/274.1
 8,348,207 B2 * 1/2013 Wang et al. 248/188.6
 8,464,496 B2 * 6/2013 Cusson et al. 52/745.06
 2002/0195528 A1 * 12/2002 Overbeck 248/188.6
 2005/0127253 A1 * 6/2005 Kim 248/176.1
 2005/0236543 A1 * 10/2005 O'Neil 248/286.1

2007/0138366 A1 * 6/2007 Davis et al. 248/434
 2008/0230047 A1 * 9/2008 Shugar et al. 126/569
 2008/0265114 A1 * 10/2008 Moscovitch 248/176.3
 2012/0025037 A1 * 2/2012 Chang 248/124.1
 2013/0279034 A1 * 10/2013 Bender 359/849
 2013/0279978 A1 * 10/2013 Sippola 404/40
 2014/0117182 A1 * 5/2014 Blackburn 248/298.1

OTHER PUBLICATIONS

Quad Monitor Arm, available Nov. 12, 2006, [online], [site visited on Jul. 24, 2015] . Available from internet, <URL: http://www.ergodirect.com/product_info.php?products_id=14263>.*

* cited by examiner

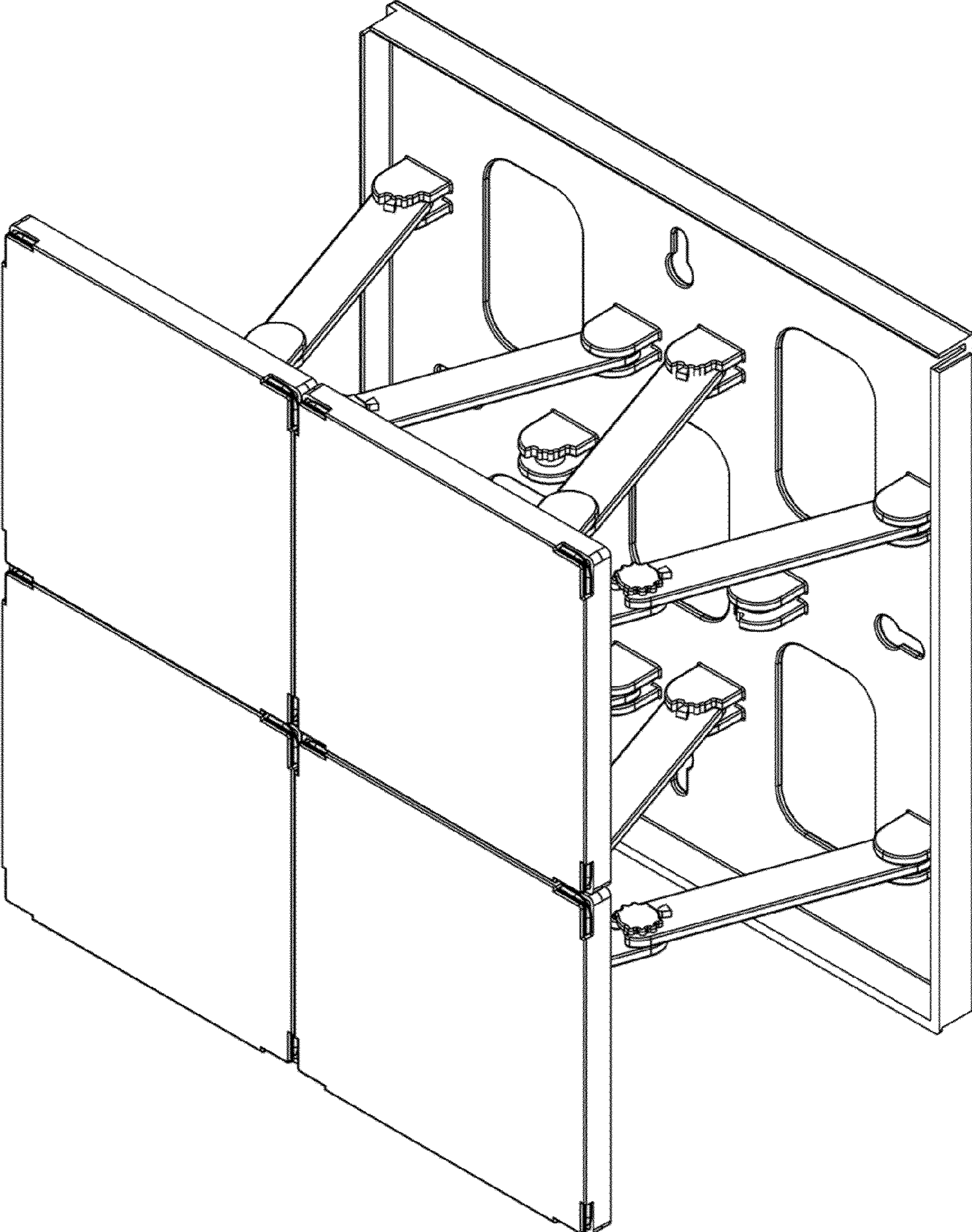


FIG. 1

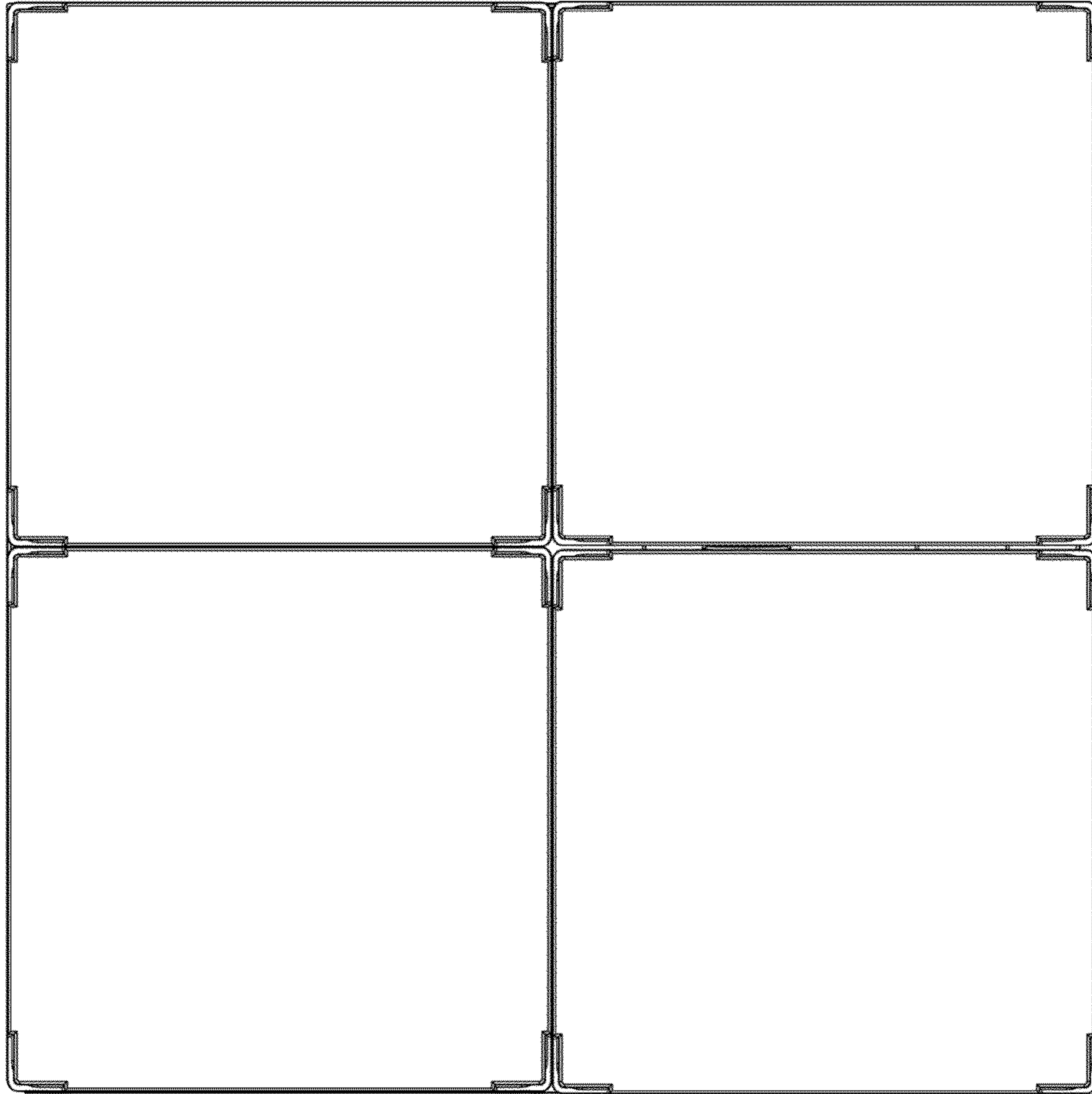


FIG. 2

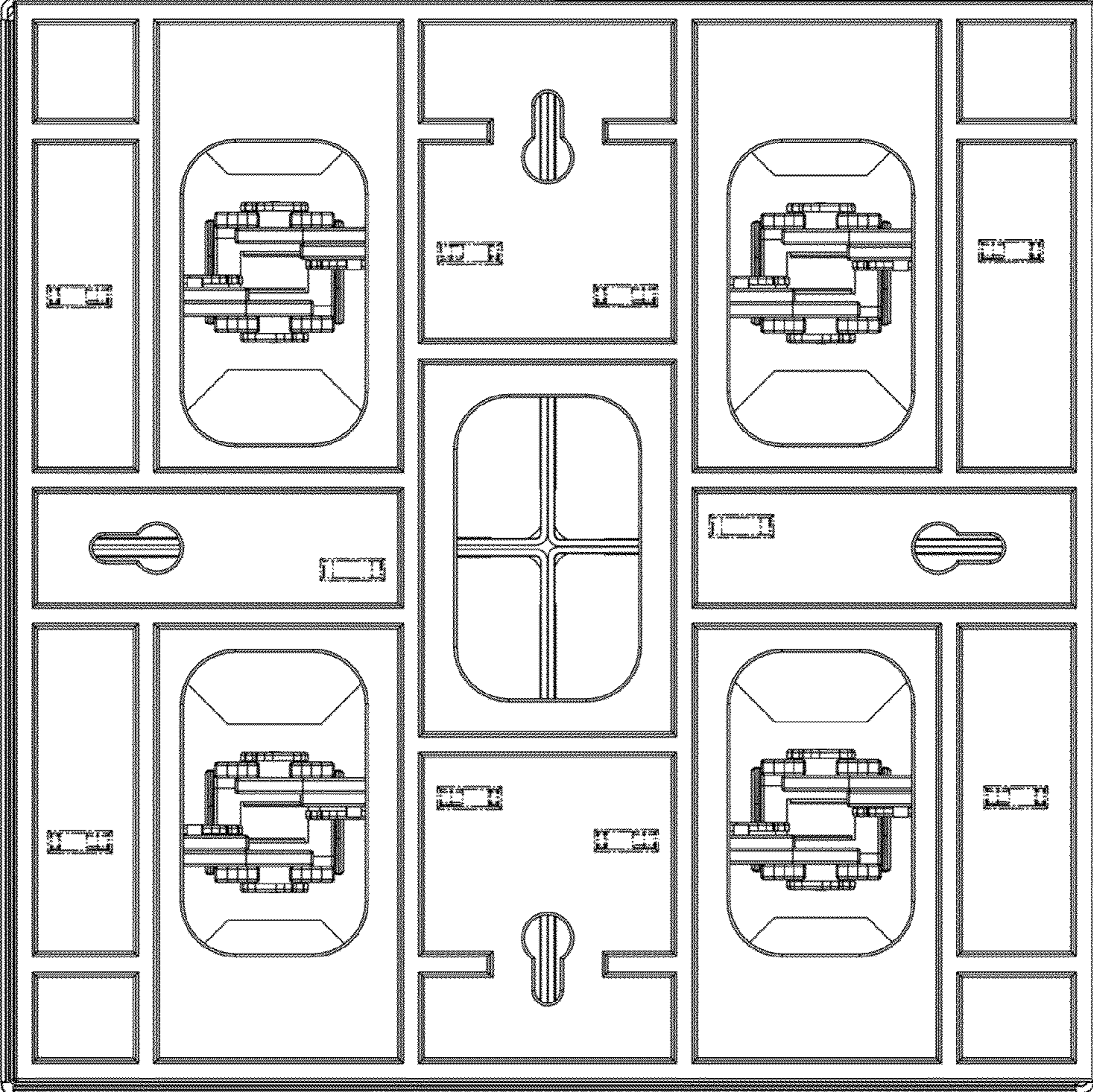


FIG. 3

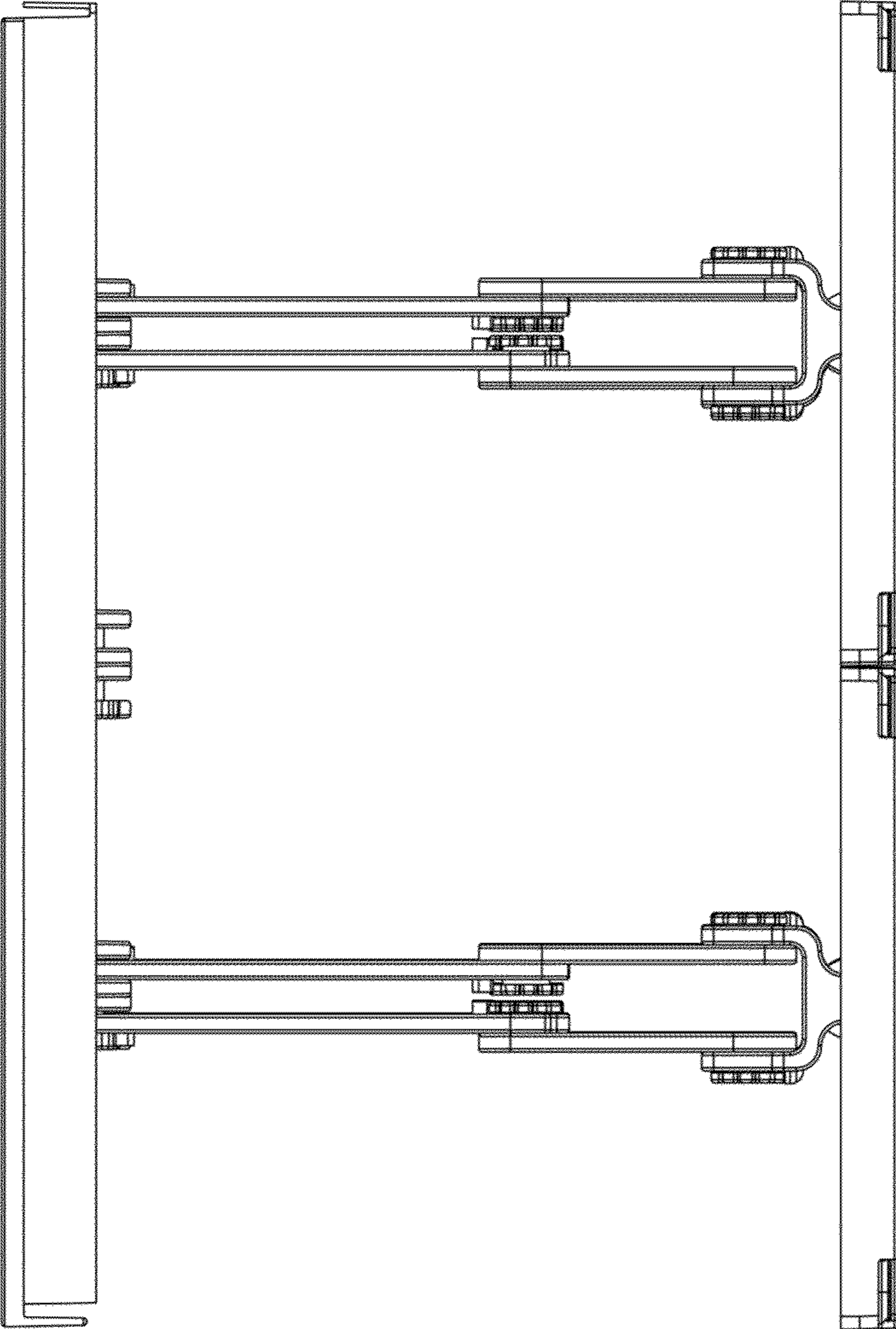


FIG. 4

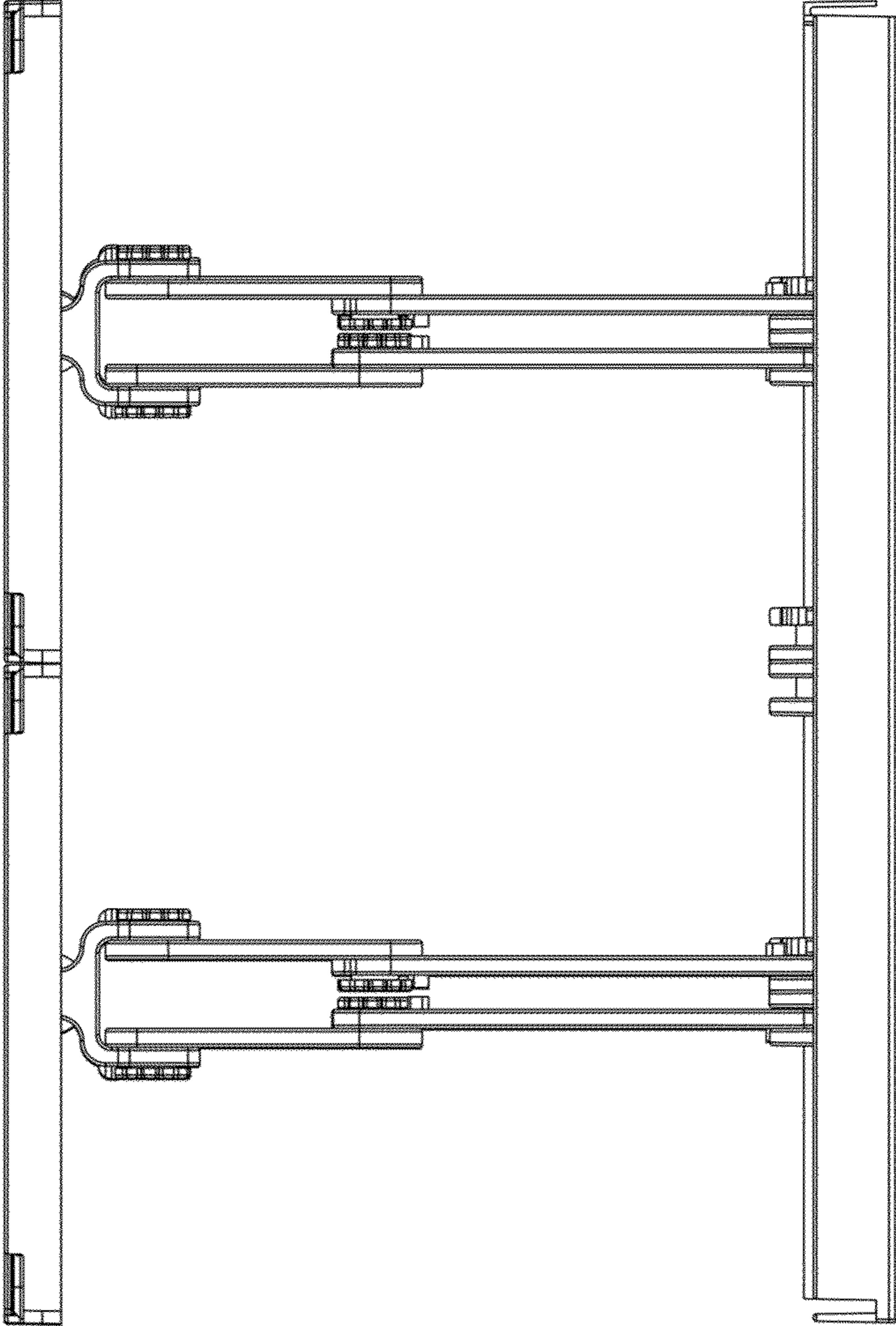


FIG. 5

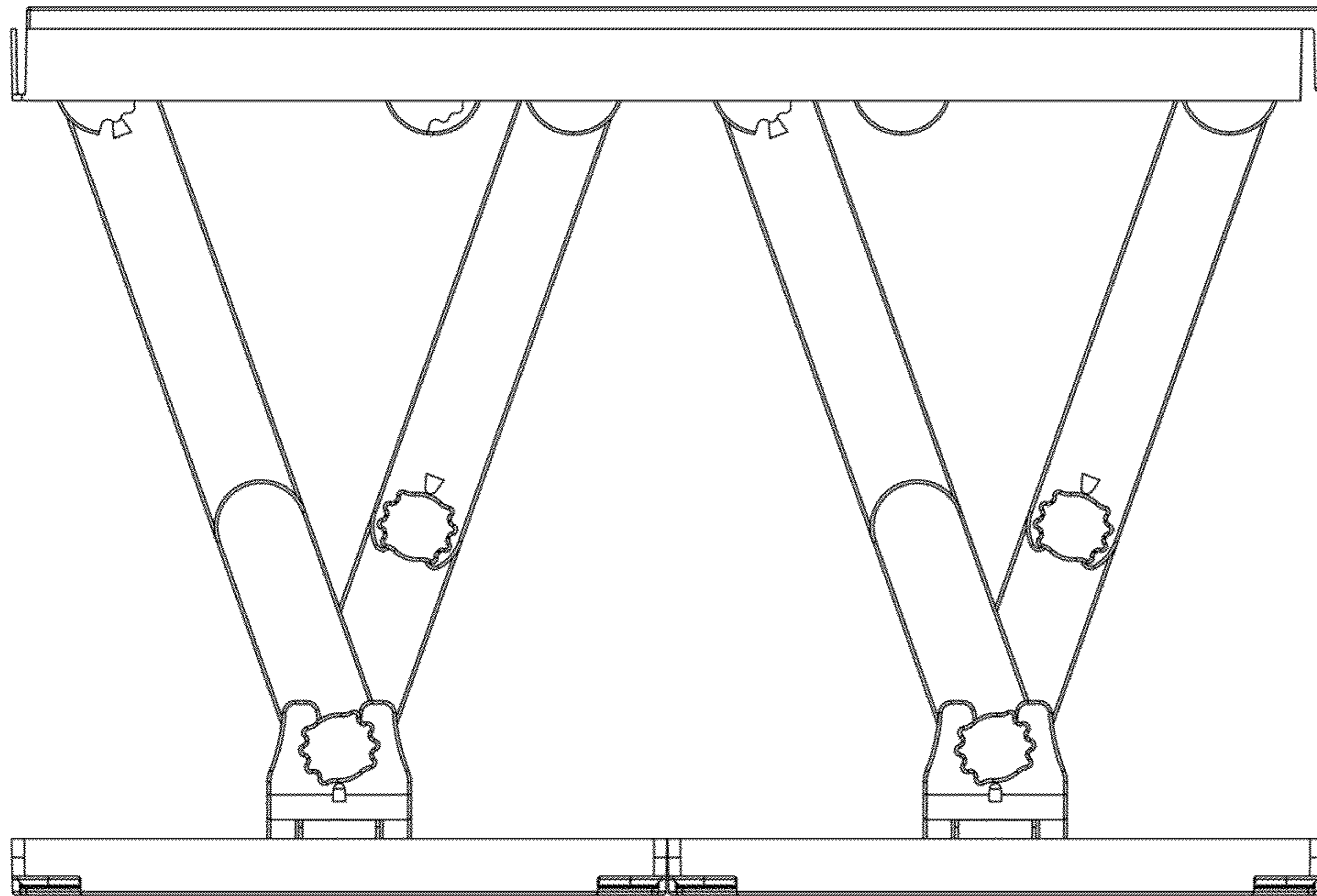


FIG. 6

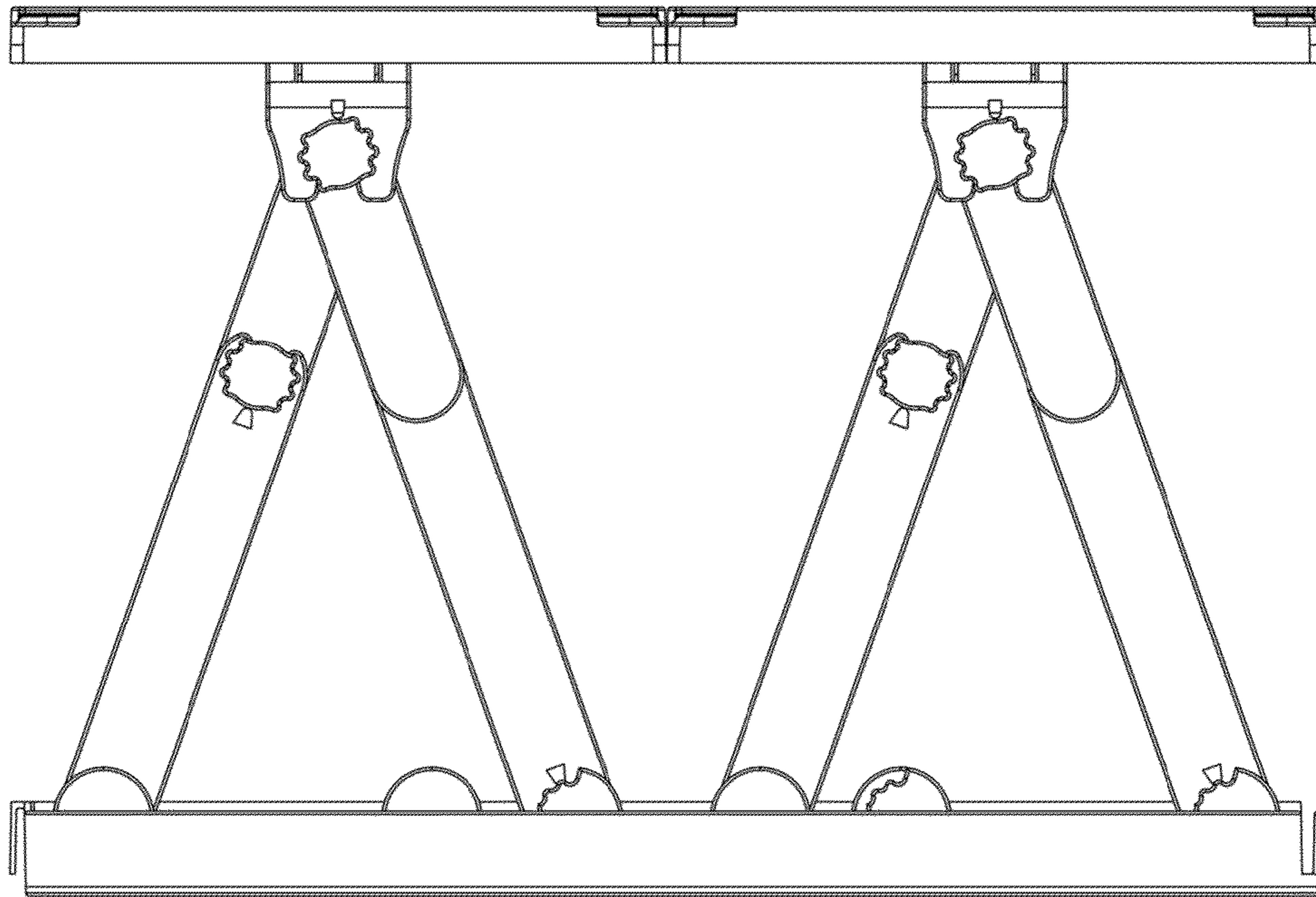


FIG. 7

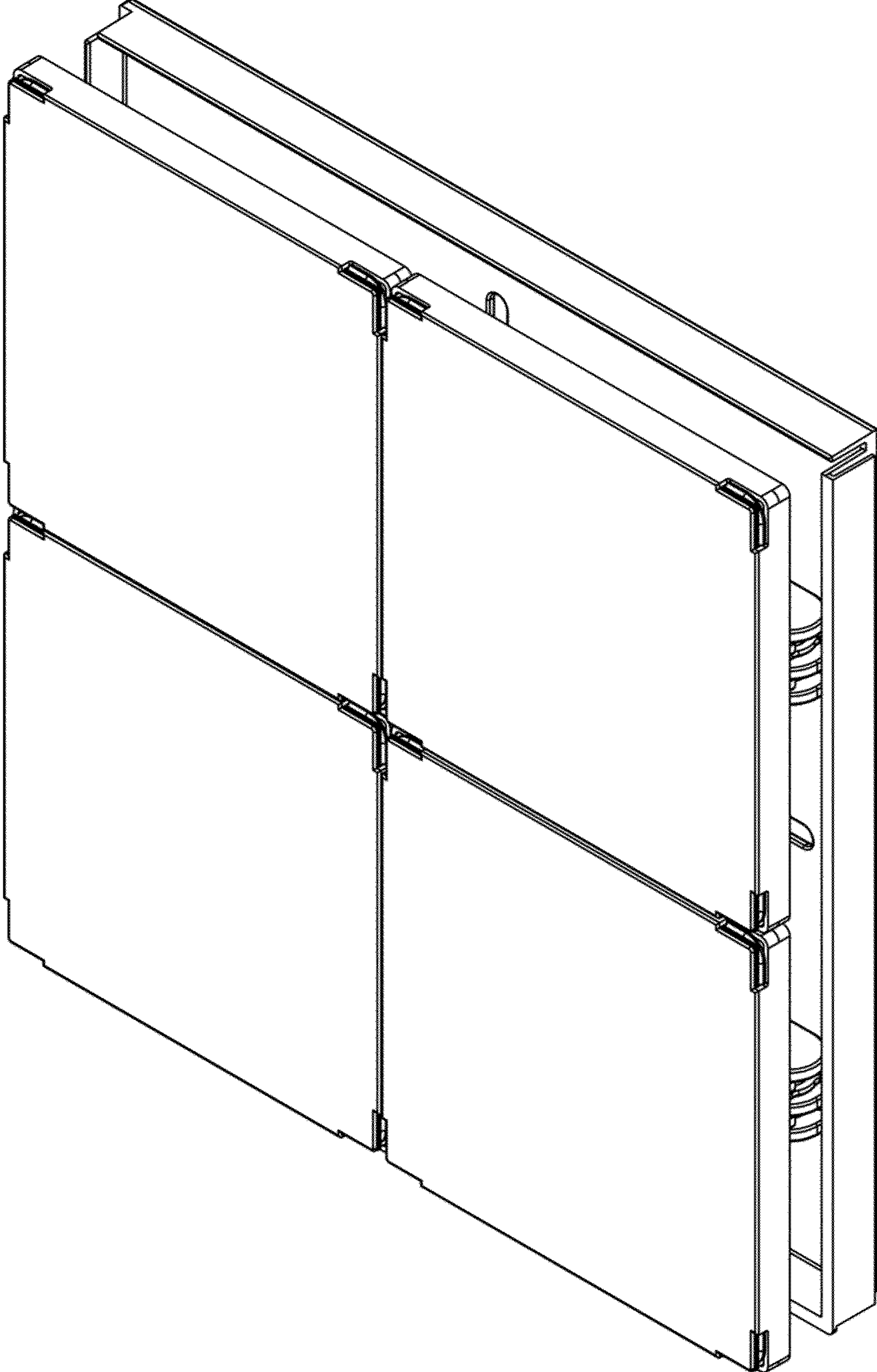


FIG. 8

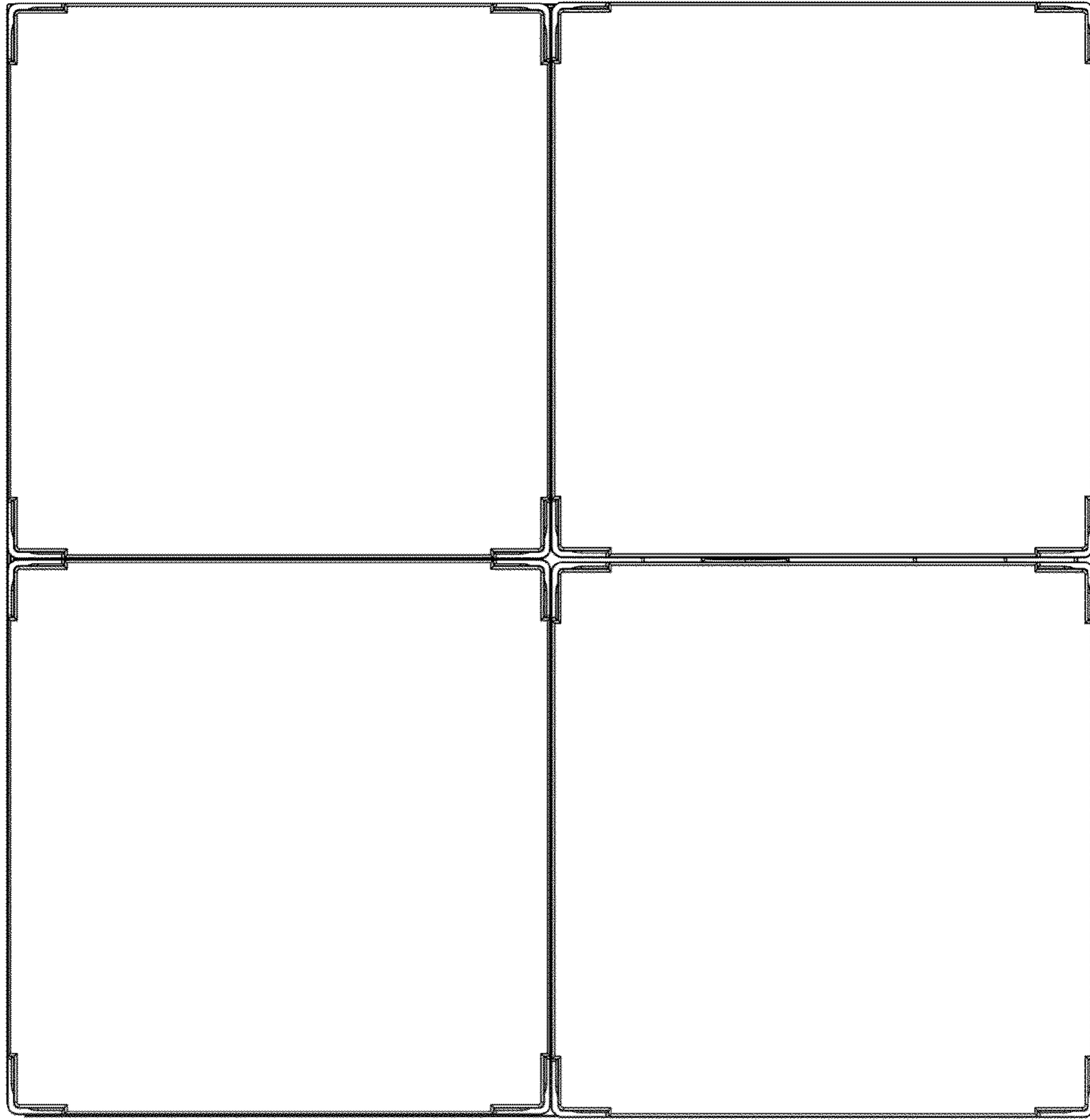


FIG. 9

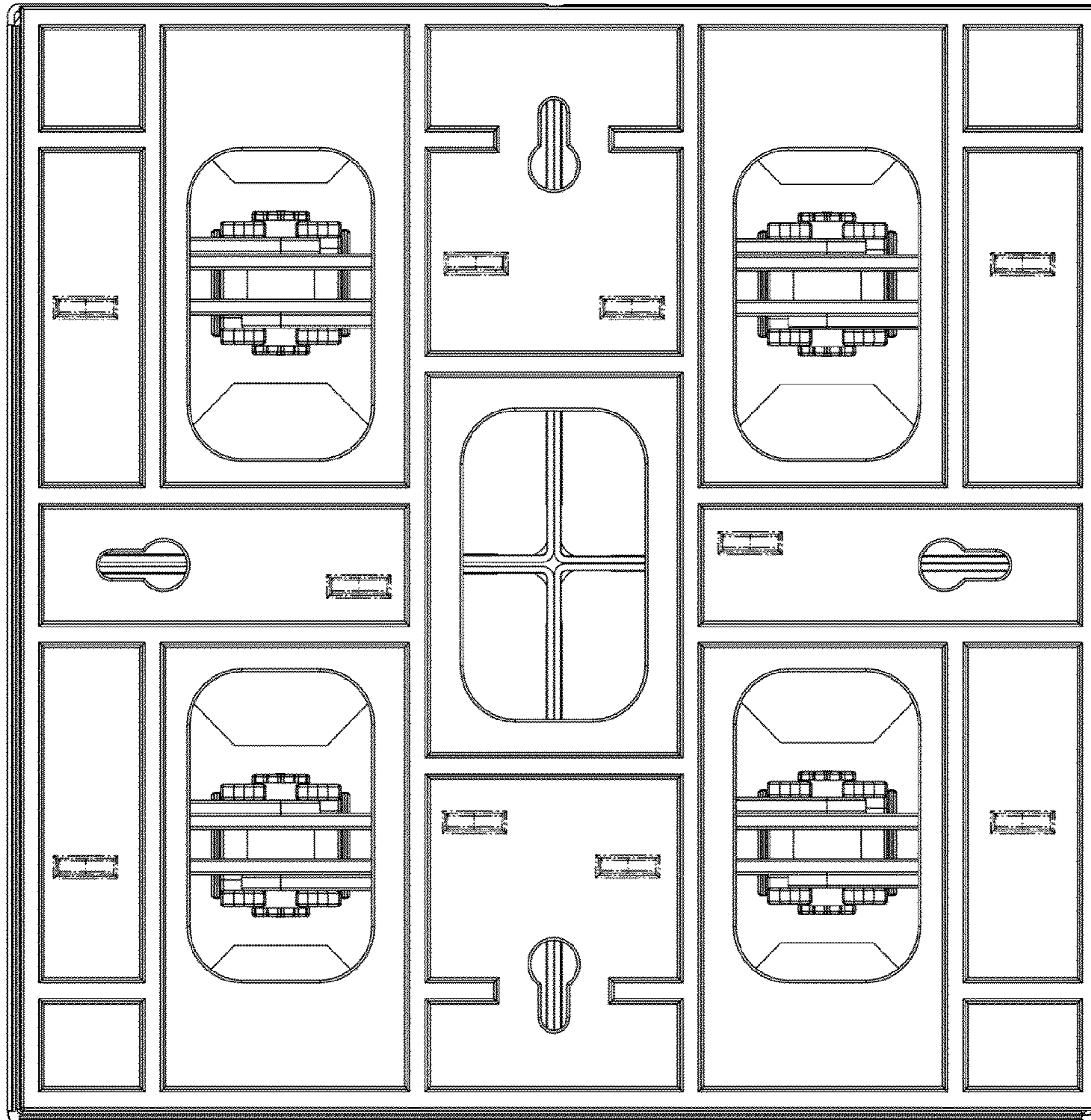


FIG. 10

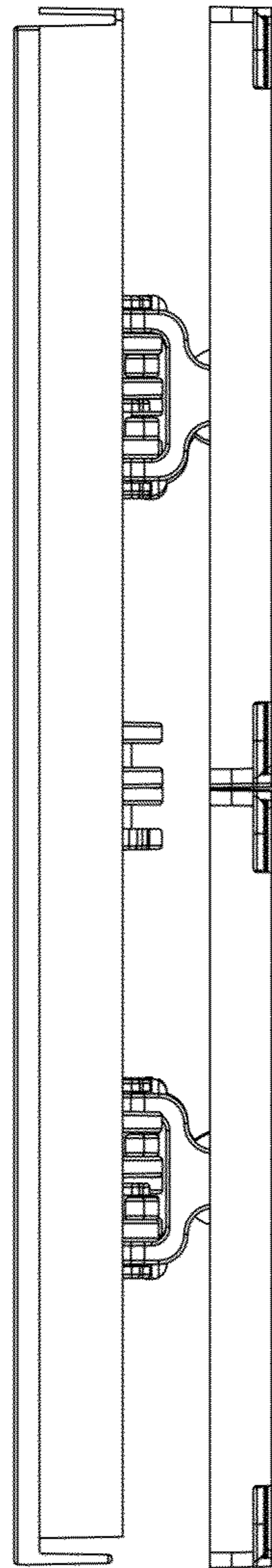


FIG. 11

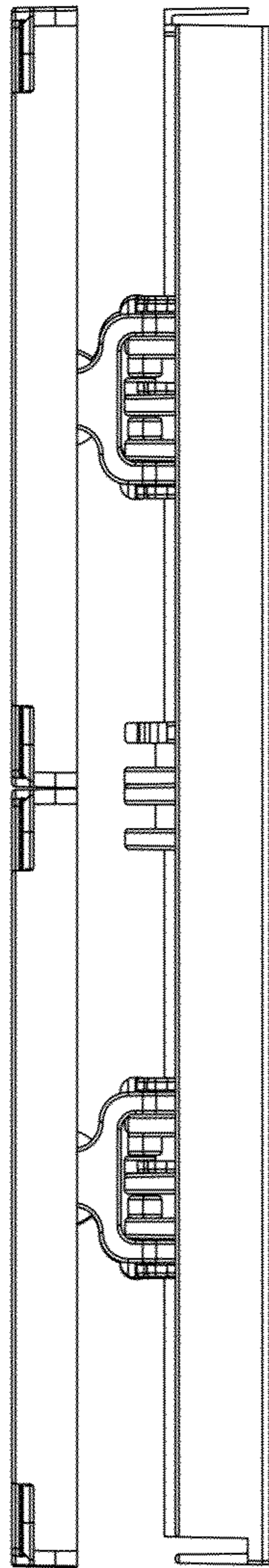


FIG. 12

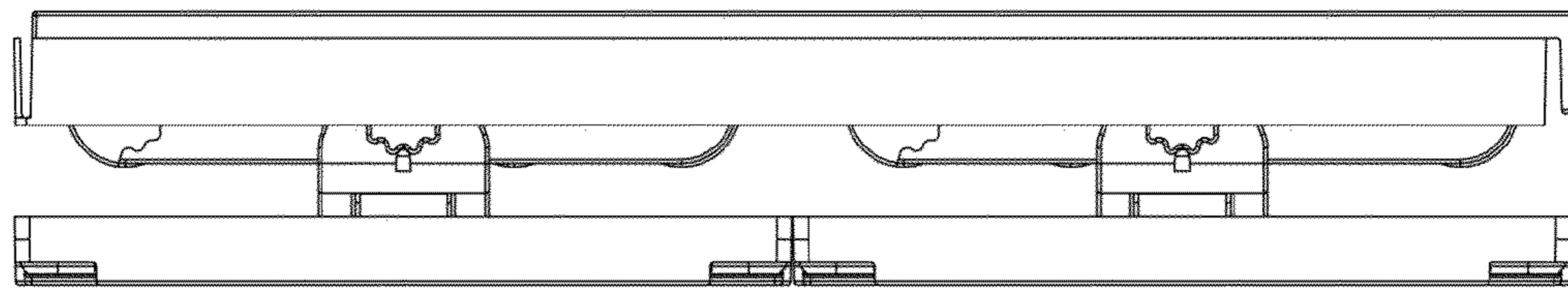


FIG. 13

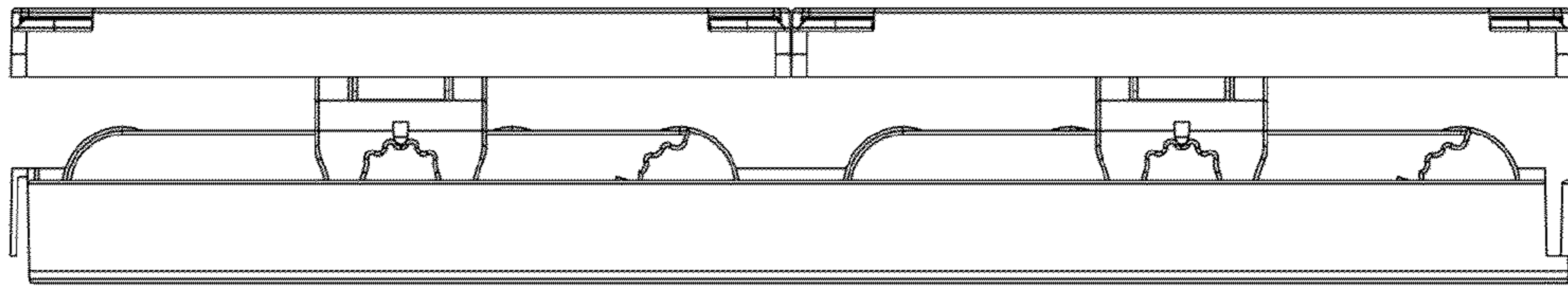


FIG. 14

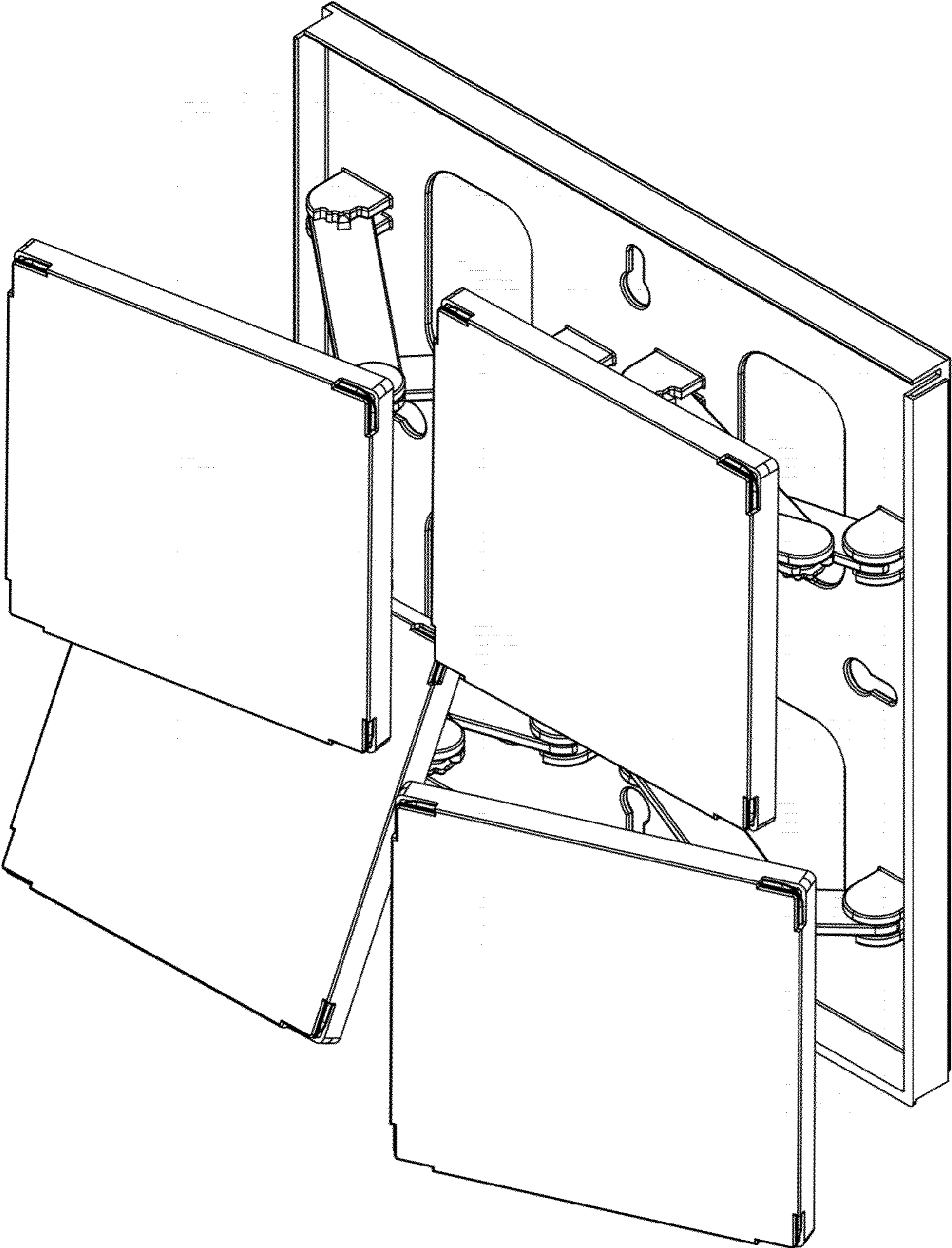


FIG. 15

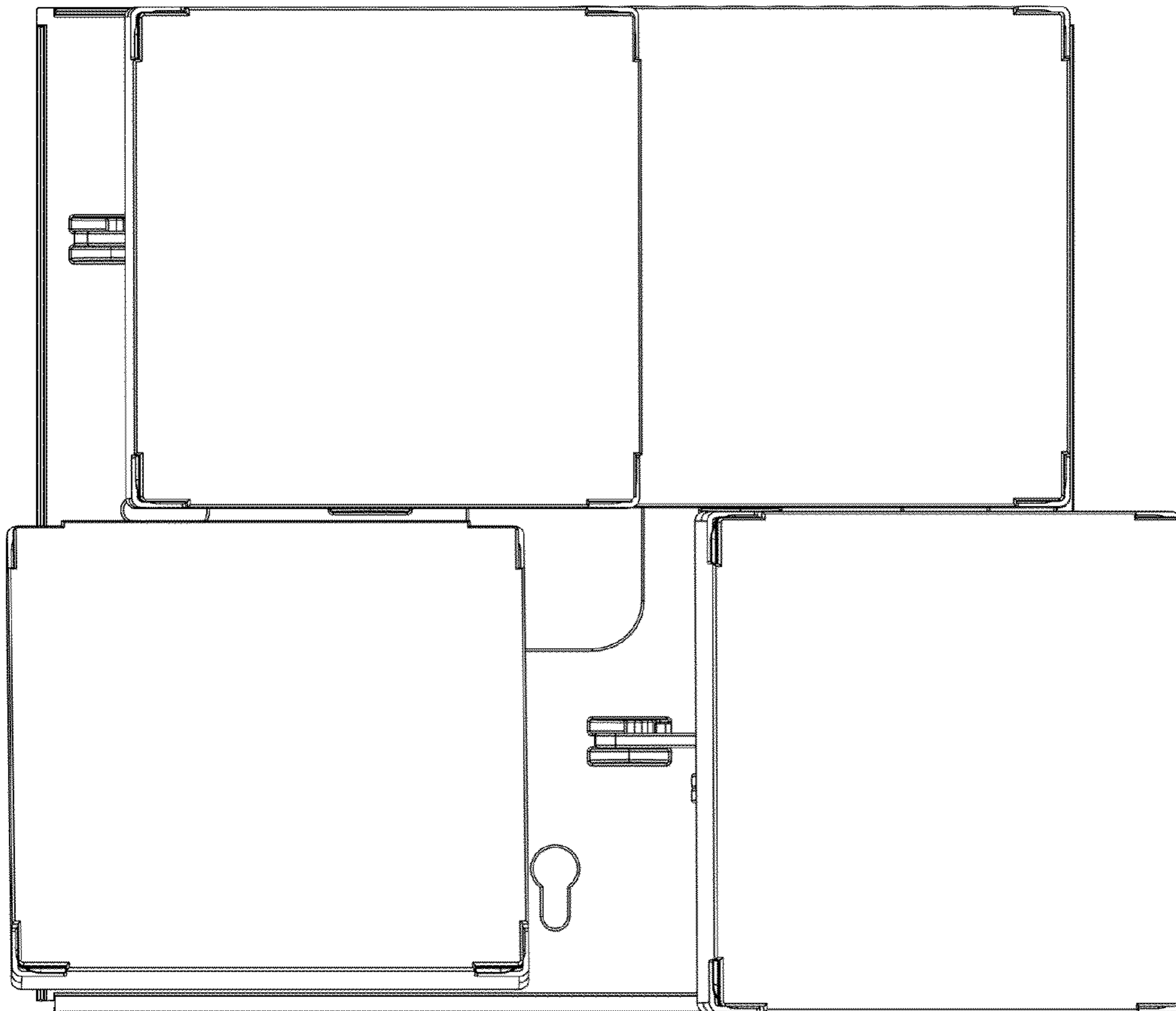


FIG. 16

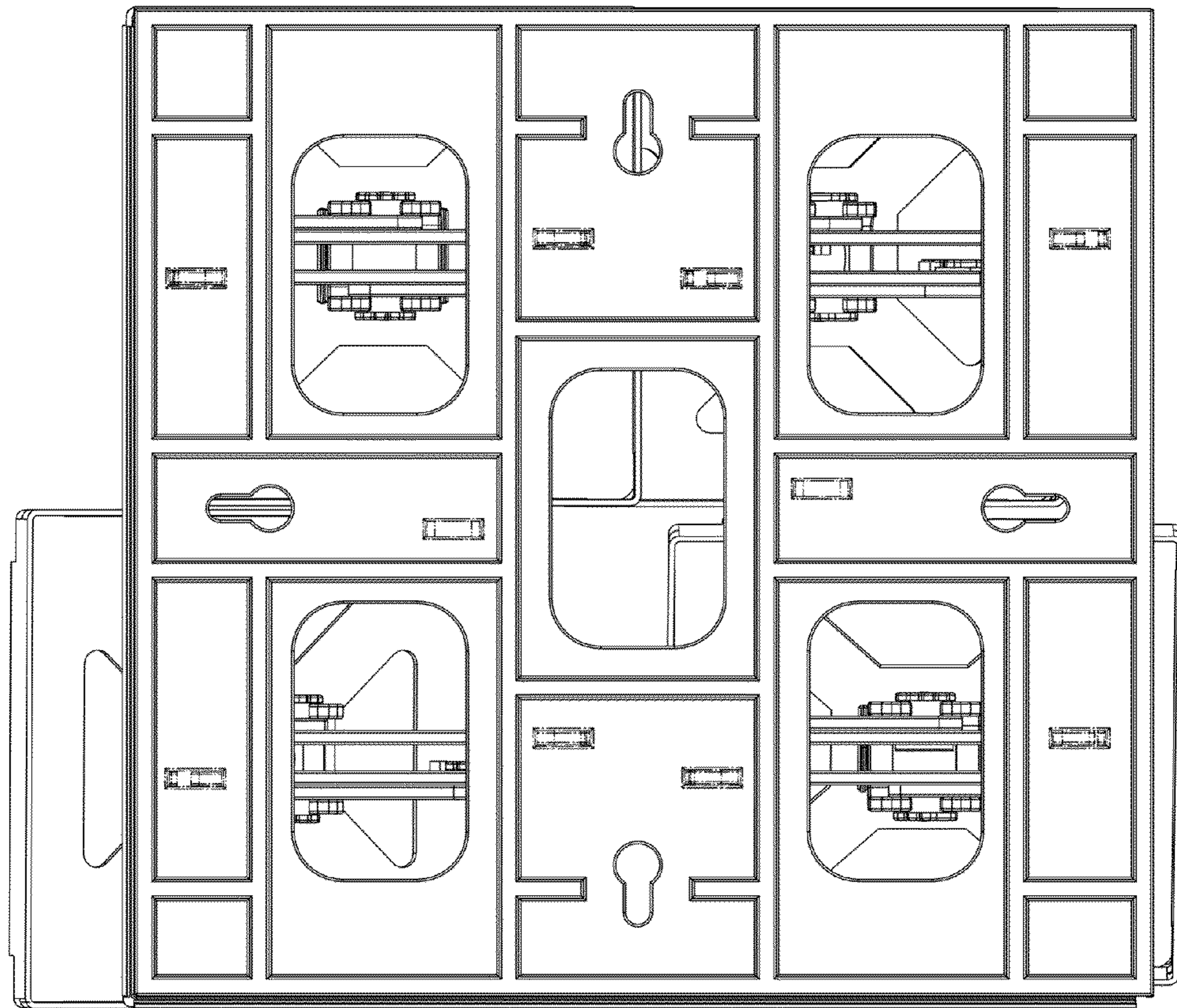


FIG. 17

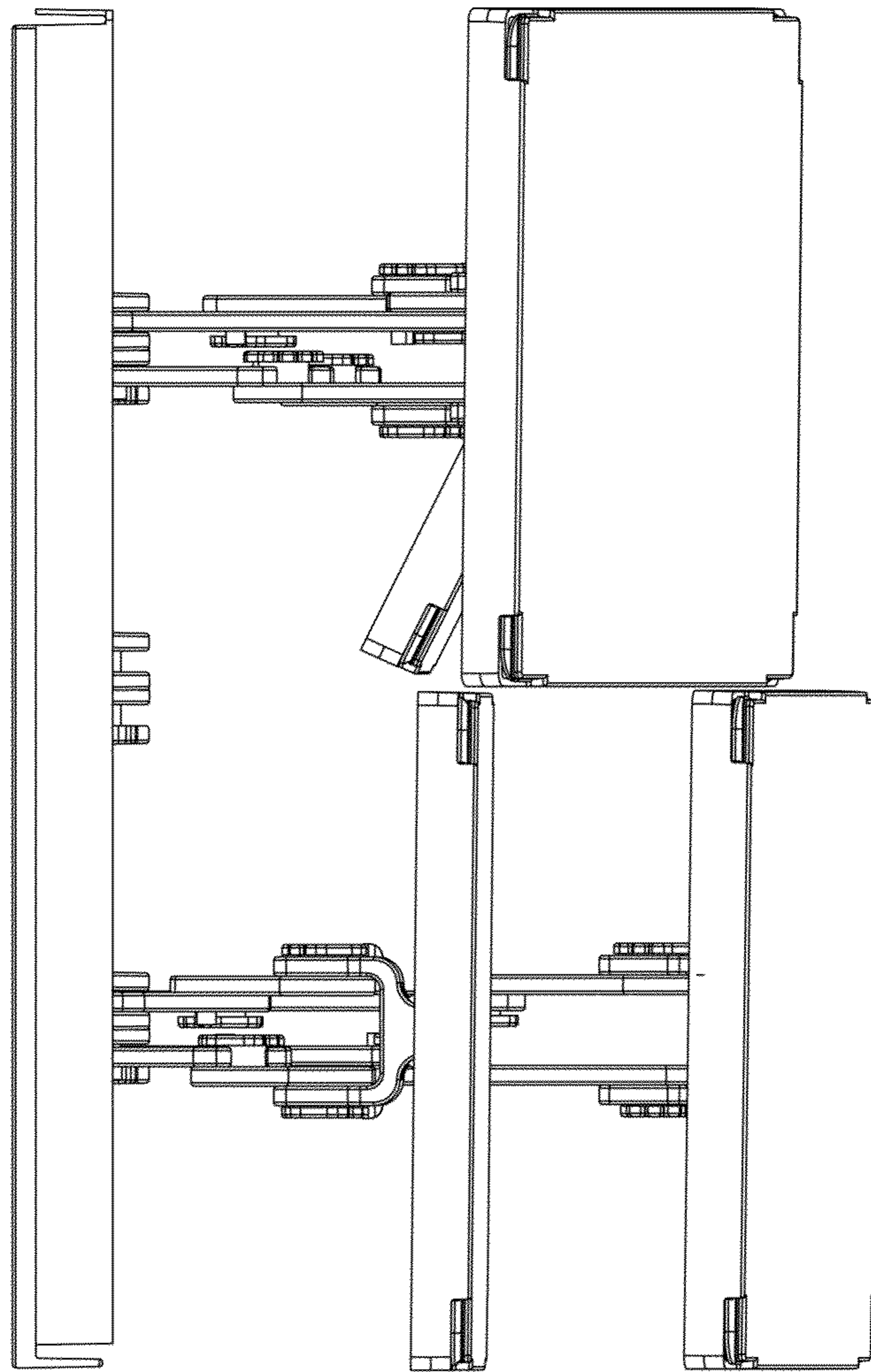


FIG. 18

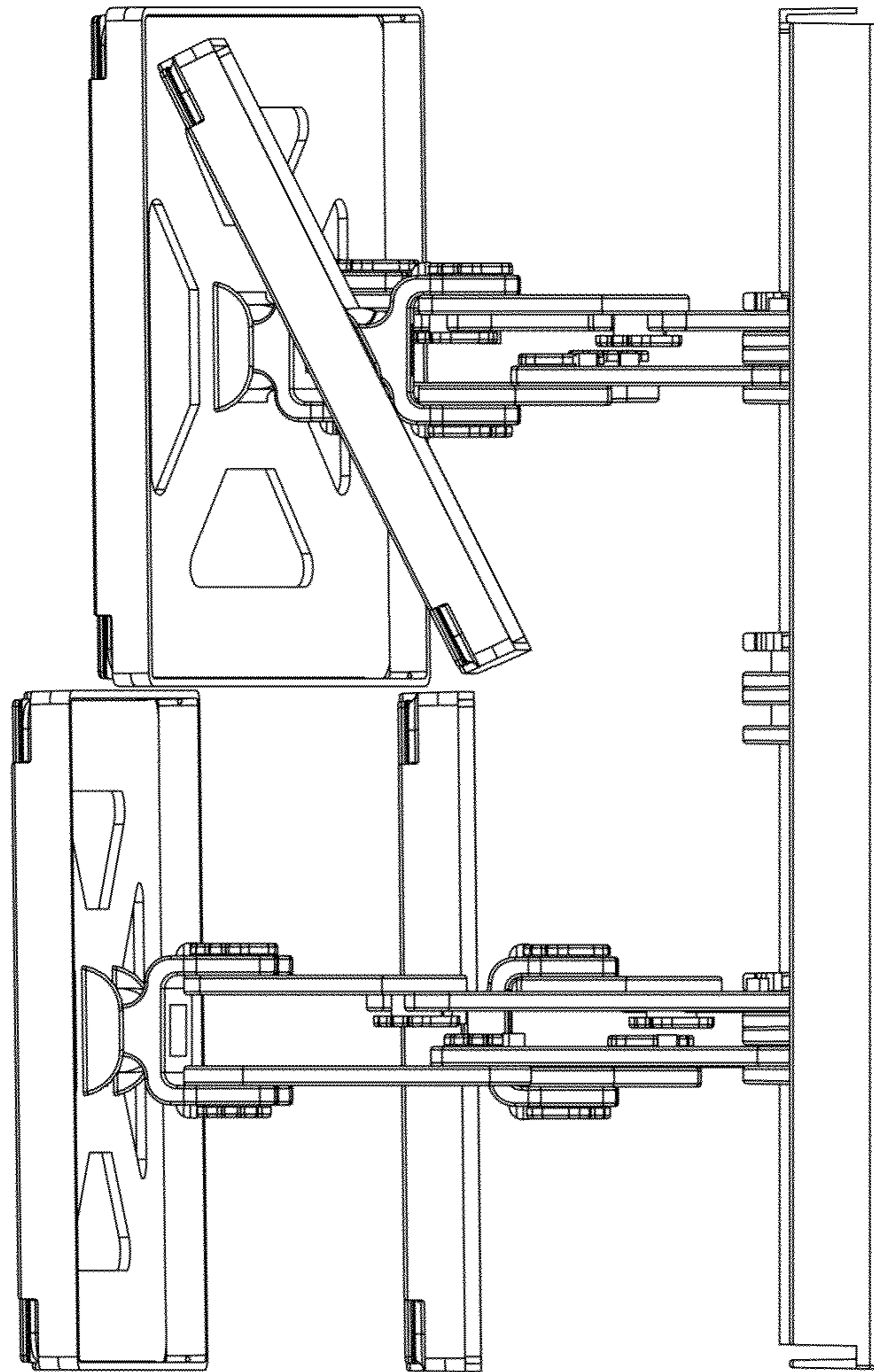


FIG. 19

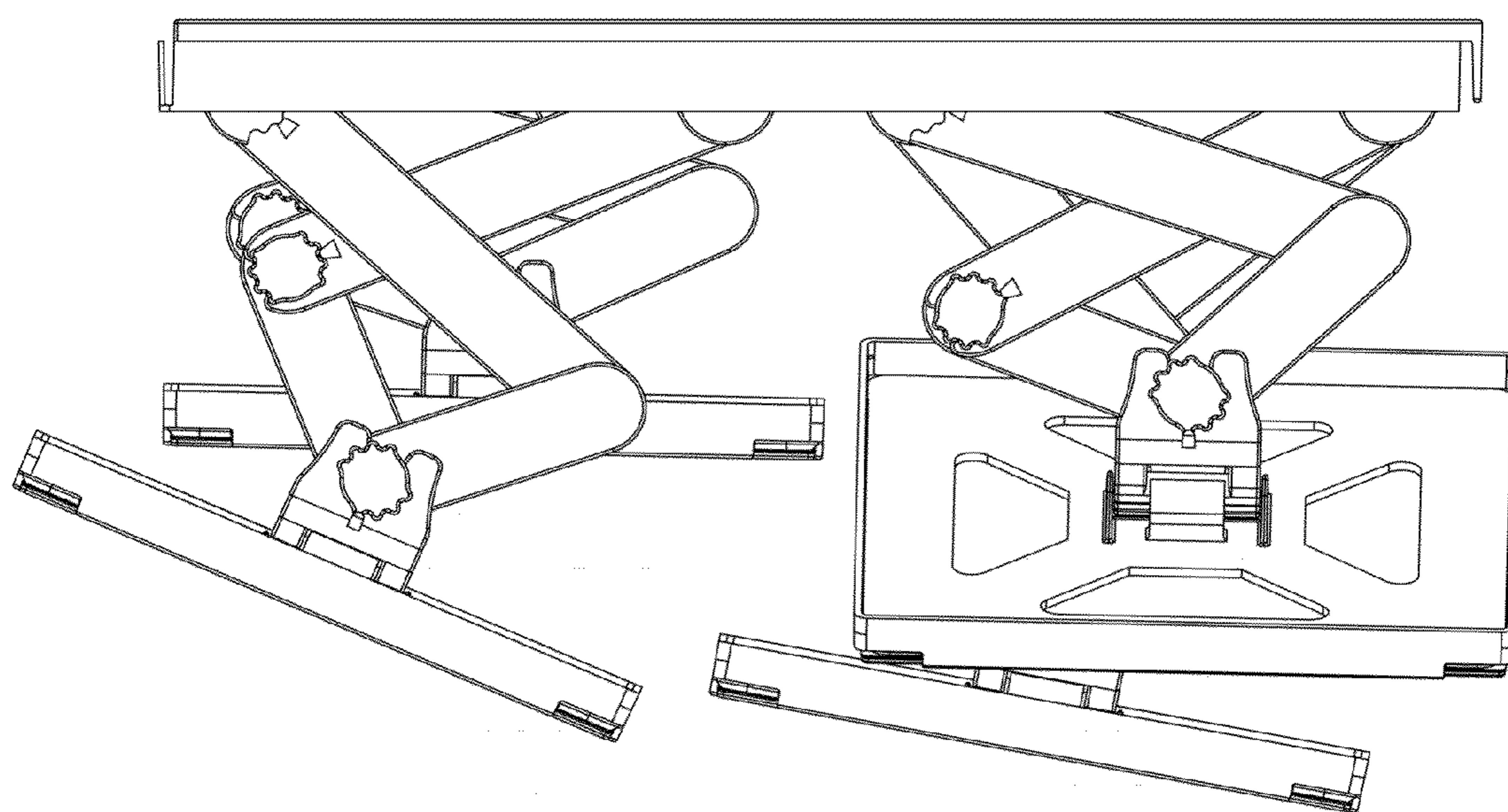


FIG. 20

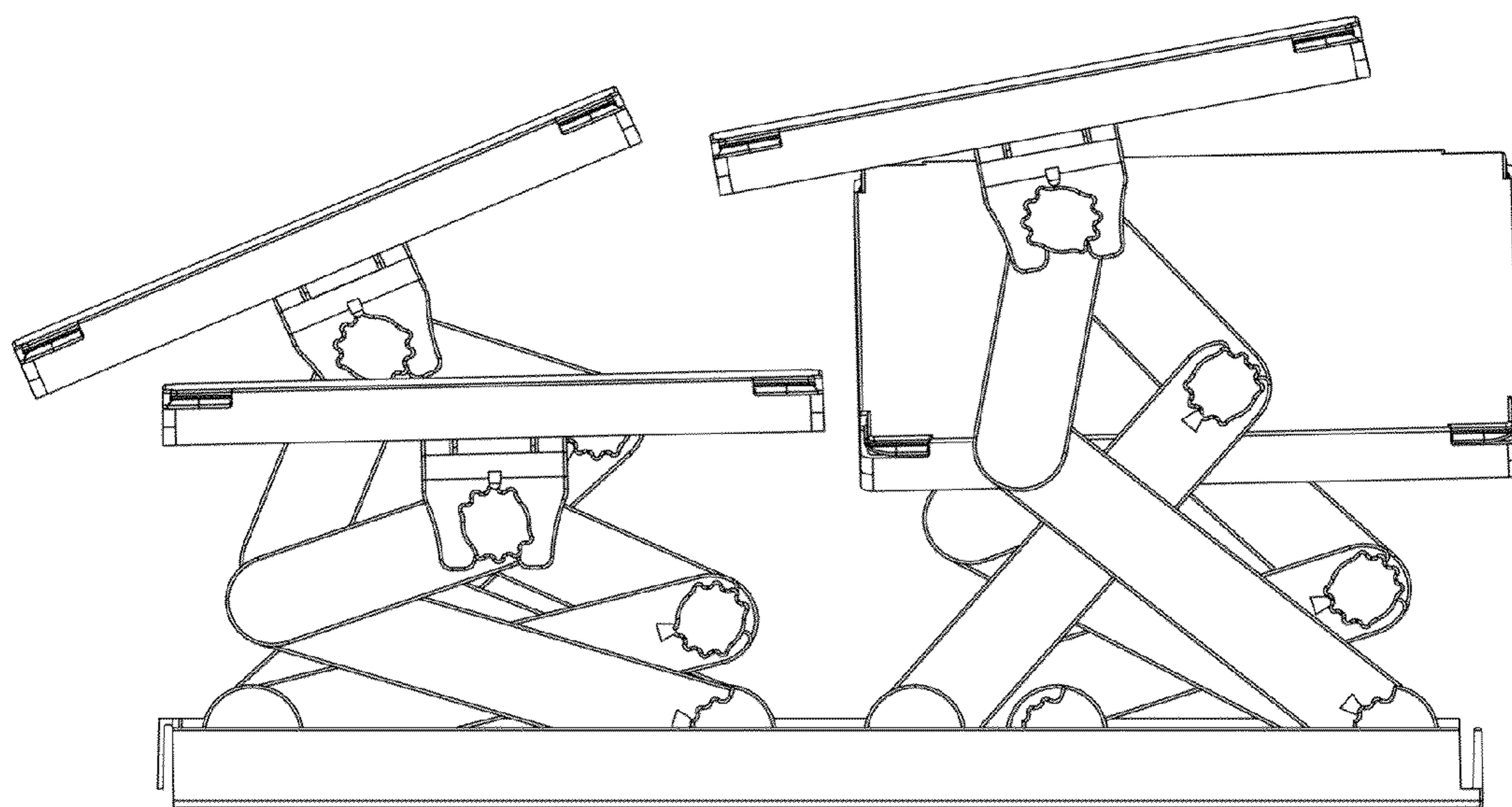


FIG. 21