



US00D747109S

(12) **United States Design Patent**
Shay-Puetzer et al.

(10) **Patent No.:** **US D747,109 S**
(45) **Date of Patent:** **** *Jan. 12, 2016**

(54) **FRAME FOR DISPLAYING AN OBJECT**

(71) Applicants: **Tricia L. Shay-Puetzer**, Oconomowoc, WI (US); **Steven J. Puetzer**, Oconomowoc, WI (US)

(72) Inventors: **Tricia L. Shay-Puetzer**, Oconomowoc, WI (US); **Steven J. Puetzer**, Oconomowoc, WI (US)

(*) Notice: This patent is subject to a terminal disclaimer.

(**) Term: **14 Years**

(21) Appl. No.: **29/488,884**

(22) Filed: **Apr. 24, 2014**

(51) **LOC (10) Cl.** **06-07**

(52) **U.S. Cl.**
USPC **D6/300**

(58) **Field of Classification Search**
USPC D6/300-314; D11/132, 133, 143; D20/10, 19, 40, 42, 43, 99; 40/27, 380, 40/757, 700, 732, 743, 781, 772, 769
CPC A47G 1/065; A47G 1/1626; A47G 1/17; A47G 2001/0666; A47G 2001/0672; A47G 1/142; G03B 21/64; F16M 13/022
See application file for complete search history.

(56) **References Cited**

U.S. PATENT DOCUMENTS

2,268,529	A *	12/1941	Stiles	40/702
D146,264	S	3/1945	Moonert	
3,444,638	A	5/1969	Jahn	
3,553,873	A	1/1971	Weston	
3,566,526	A	3/1971	La Violette	
D228,720	S *	10/1973	Cowan	D6/300
3,786,584	A	1/1974	Holson	
D230,238	S *	2/1974	Coda	D6/300

3,885,336	A	5/1975	Olsen	
4,192,905	A *	3/1980	Scheibal	428/80
4,261,124	A	4/1981	Carter	
D290,787	S *	7/1987	Chisholm	D6/301
4,761,902	A *	8/1988	Lansky et al.	40/760
5,230,172	A	7/1993	Hsu	
5,269,083	A	12/1993	Vampatella et al.	
D370,568	S	6/1996	Wynne	
D381,211	S *	7/1997	Aries et al.	D6/300

(Continued)

OTHER PUBLICATIONS

Frimage Image Frames, available Jun. 20, 2014, [online], [site visited Jul. 2, 2015]. Available from internet, <URL: <http://www.frimageimage.com/>>.*

(Continued)

Primary Examiner — Cathron Brooks

Assistant Examiner — Teddy Falloway

(74) *Attorney, Agent, or Firm* — Klintworth & Rozenblat IP LLC

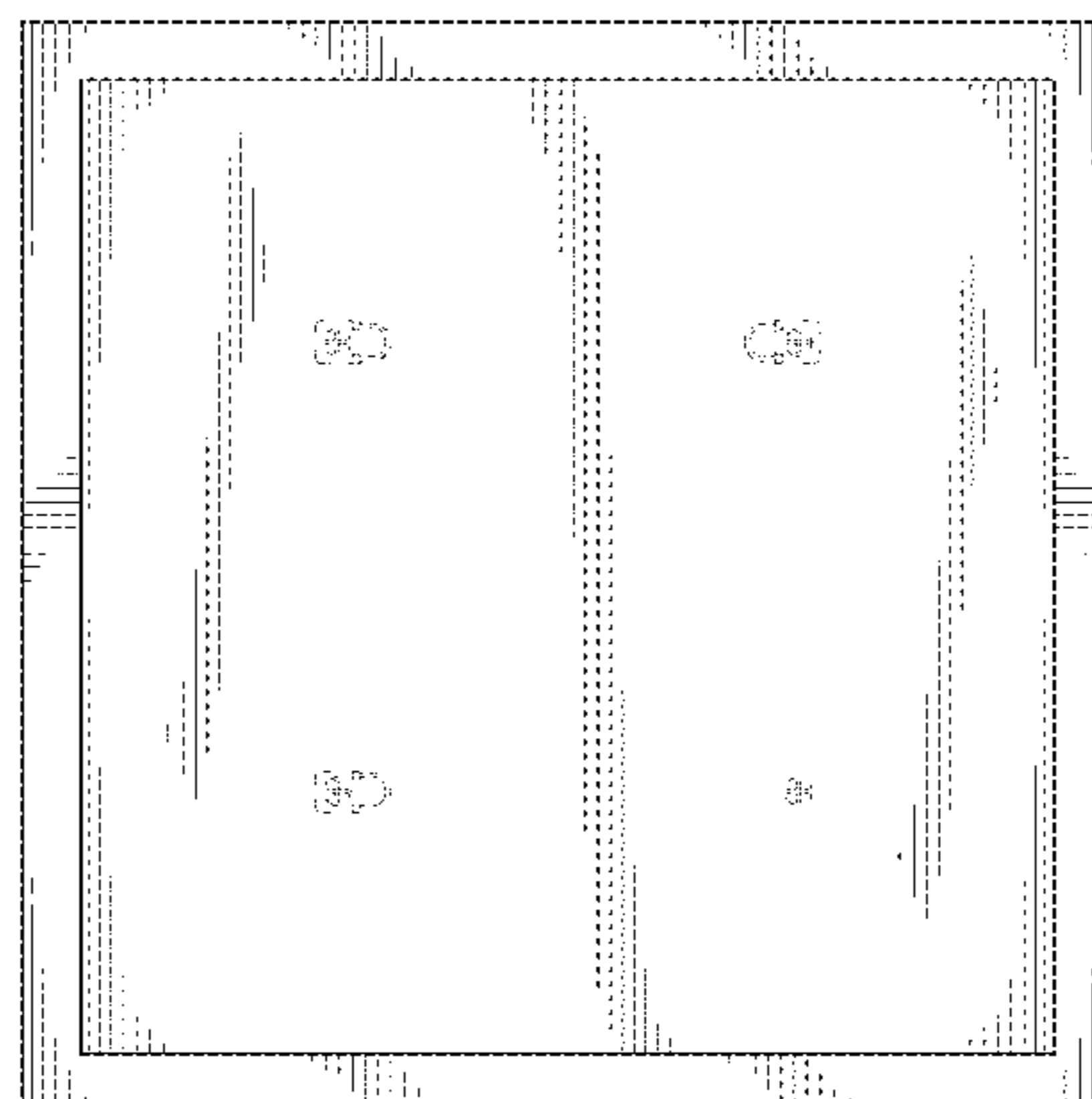
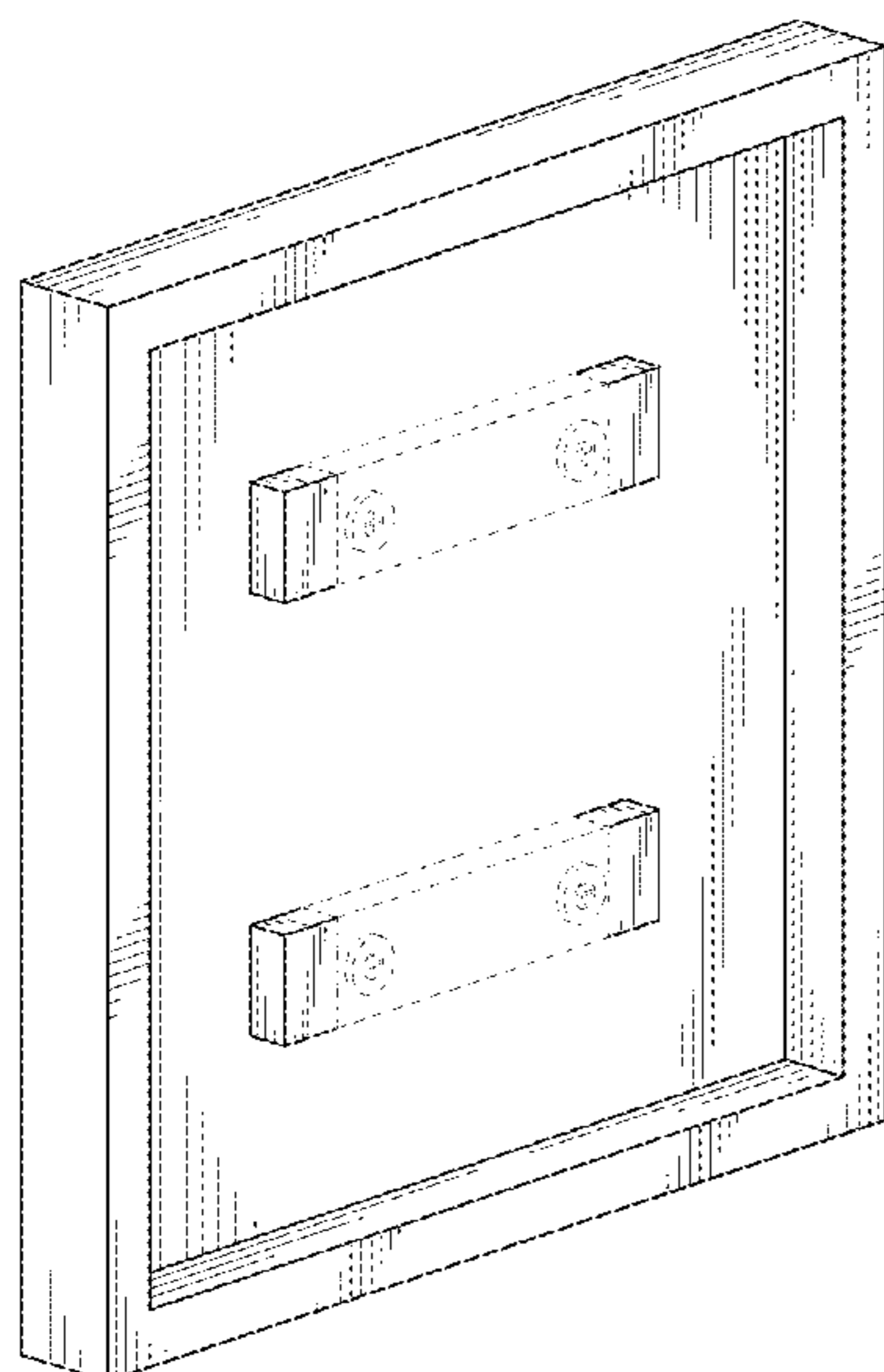
(57) **CLAIM**

We claim the ornamental design for a frame for displaying an object, as shown and described.

DESCRIPTION

FIG. 1 is a top, front perspective view of a frame for displaying an object;
FIG. 2 is a front view of the frame shown in FIG. 1;
FIG. 3 is a rear view of the frame shown in FIG. 1;
FIG. 4 is a right side view of the frame shown in FIG. 1;
FIG. 5 is a left side view of the frame shown in FIG. 1;
FIG. 6 is a top view of the frame shown in FIG. 1; and,
FIG. 7 is a bottom view of the frame shown in FIG. 1.
The broken lines shown are included for the purpose of illustrating portions of the frame for displaying an object that form no part of the claimed design.

1 Claim, 3 Drawing Sheets



(56)

References Cited

U.S. PATENT DOCUMENTS

D383,613 S * 9/1997 Handler D6/300
 D394,959 S 6/1998 Kwan
 D405,473 S * 2/1999 Tikhonski et al. D20/42
 D423,796 S 5/2000 Kwan
 D424,813 S * 5/2000 DeMary D6/301
 D438,019 S 2/2001 Carlson
 D445,262 S * 7/2001 Rowan D6/300
 D479,742 S 9/2003 Hollingsworth
 6,655,064 B1 12/2003 Dodson
 D485,993 S * 2/2004 Noble D6/300
 6,742,295 B2 6/2004 Gross
 D493,036 S * 7/2004 O'Neal D6/300
 D496,798 S 10/2004 Berg et al.
 6,868,630 B2 3/2005 Kim
 6,982,114 B2 1/2006 Crum
 D532,247 S * 11/2006 Copeland D7/354
 D536,881 S 2/2007 Mischel, Jr. et al.
 D547,072 S * 7/2007 Mischel et al. D6/300
 D564,020 S 3/2008 Brown
 D576,432 S * 9/2008 Siekmann D6/703.2
 D584,063 S 1/2009 Mirza
 D591,357 S 4/2009 Lee
 D613,953 S * 4/2010 Hammer D6/310
 7,748,152 B2 7/2010 Reinold et al.
 D642,384 S * 8/2011 Seckinger D6/302
 D669,691 S * 10/2012 Blaser D6/300
 8,484,873 B2 7/2013 Splittgerber
 8,495,830 B2 7/2013 Price
 8,572,873 B2 11/2013 Van Bortel
 8,584,387 B2 11/2013 Pénisson

8,595,968 B2 * 12/2013 Byfield 40/732
 D727,629 S * 4/2015 Gordon et al. D6/300
 2003/0196364 A1 * 10/2003 Chang 40/732
 2005/0193614 A1 * 9/2005 Conrad 40/757

OTHER PUBLICATIONS

Plywerk "Maggie" Frame, available Dec. 3, 2013, [online], [site visited Jul. 2, 2015]. Available from internet, <URL: <http://www.plywerk.com/blog/2013/12/change-your-frame-with-maggie/>>.*
 MOS Photography Frame, available Mar. 11, 2013, [online], [site visited Jul. 2, 2015]. Available from internet, <URL: <http://www.mosphotography.com/portraits/signature-frames.html>>.*
 Float Frame (Mirror Image Photography), available Jul. 24, 2012, [online], [site visited Jul. 2, 2015]. Available from internet, <URL: <http://mirrorimagephotography.co.uk/index.php/2012/07/new-float-frame/>>.*
 Float Frame (Daily Art West, paintings by Don Gray), available Apr. 23, 2012, [online], [site visited Jul. 2, 2015]. Available from internet, <URL: http://www.dailyartwest.com/2012_04_01_archive.html>.*
 Float Frame (StillMoving Image Photography), available Jul. 9, 2012, [online], [site visited Jul. 2, 2015]. Available from internet, <URL: <http://www.stillmovingimage.com/new-float-frame/>>.*
 Washi Tape Frame (We R Memory Keepers), available Aug. 20, 2014, [online], [site visited Jul. 6, 2015]. Available from internet, <URL: <https://wermemorykeepers.wordpress.com/category/home-decor/page/4/>>.*
 Oliver Brothers Frames, available Dec. 31, 2013, [online], [site visited Jul. 2, 2015]. Available from Internet, <URL: <http://www.oliverbrothersframes.com/frame-finish/acrylic-picture-frames/>>.

* cited by examiner

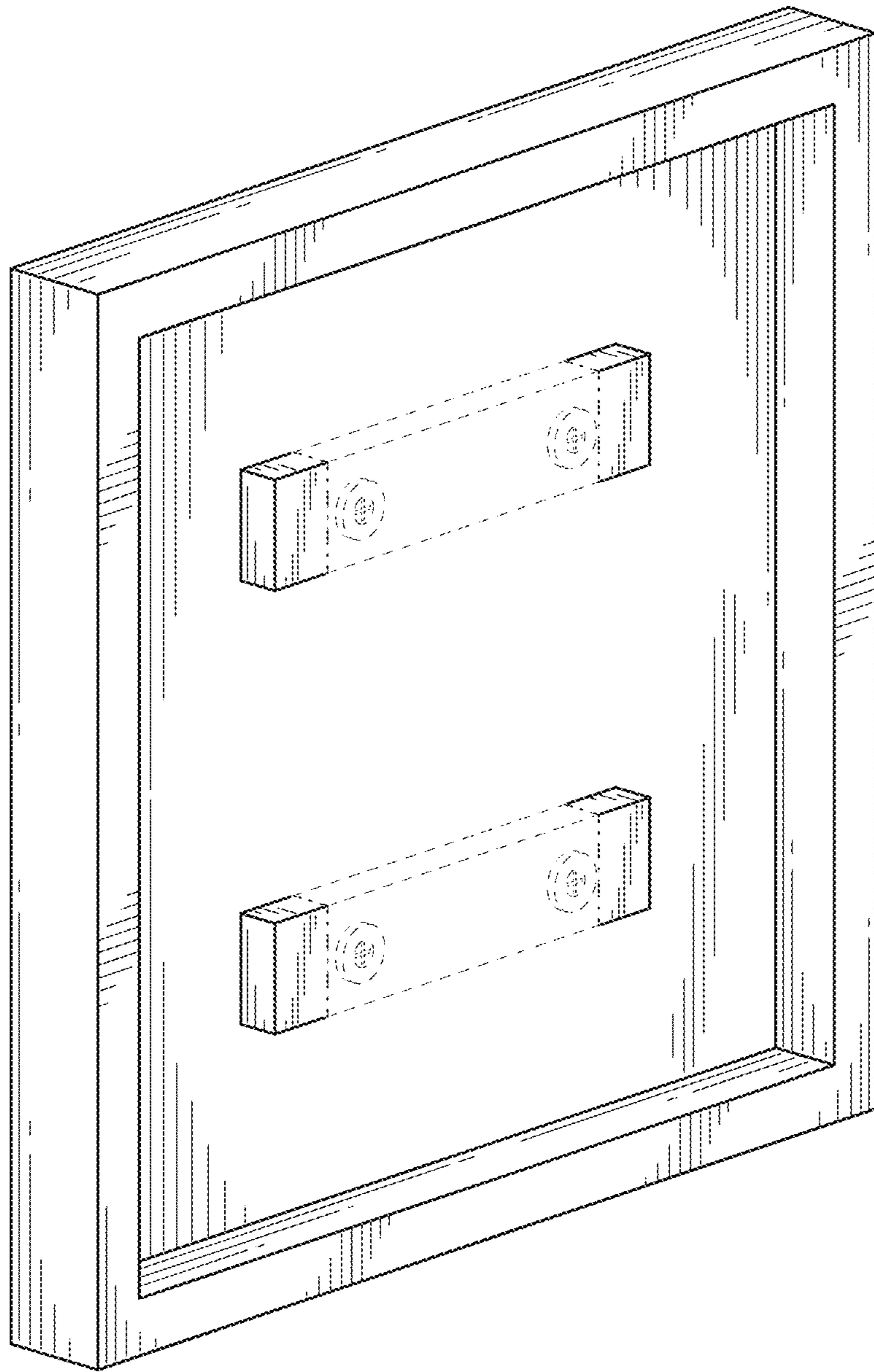


FIG. 1

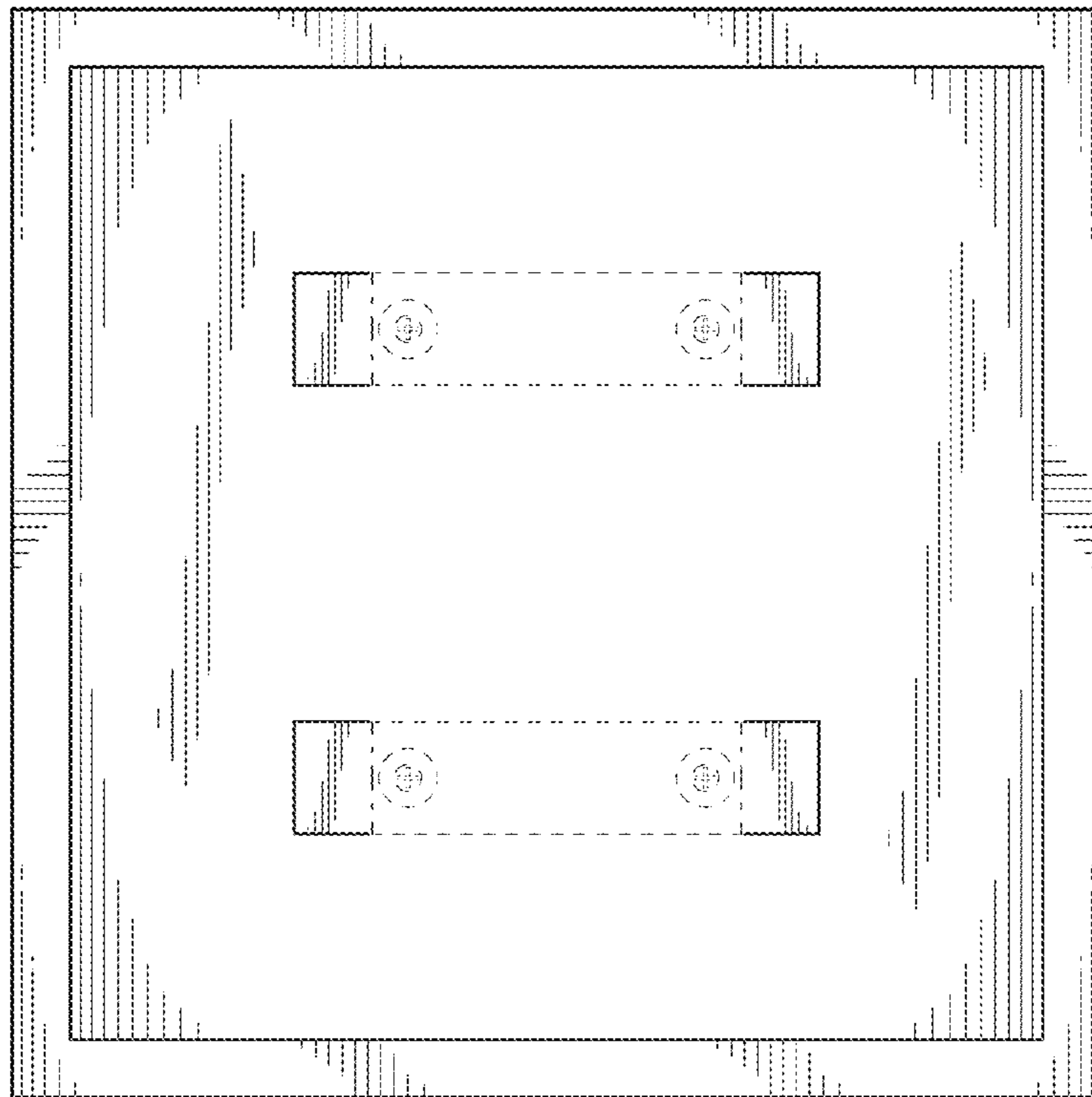


FIG. 2

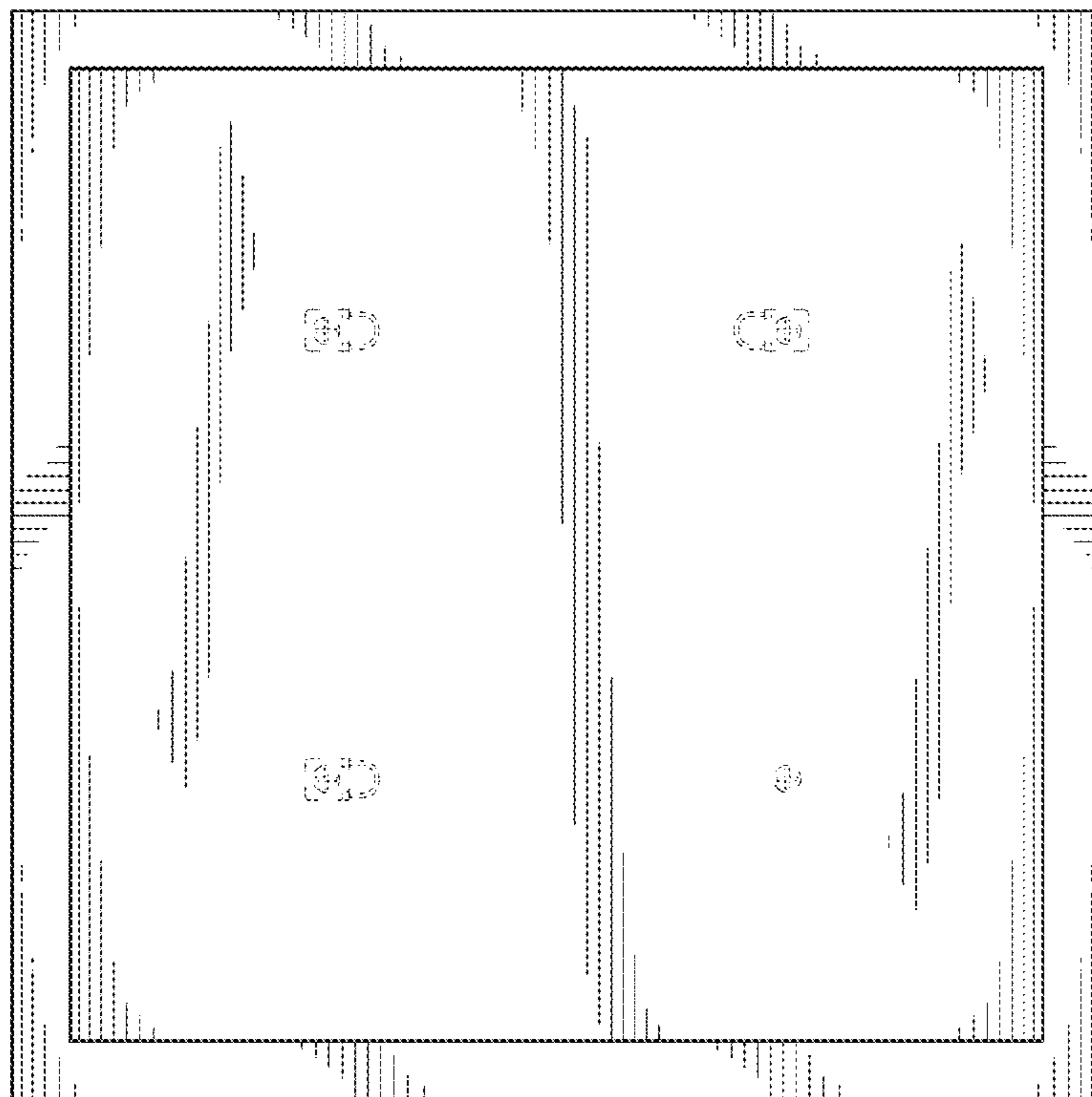


FIG. 3

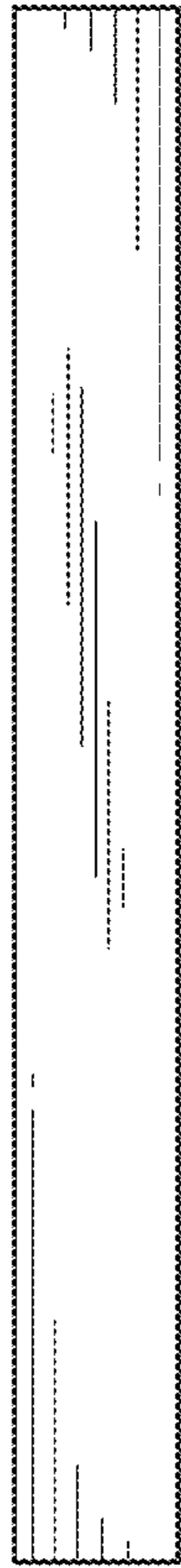


FIG. 4

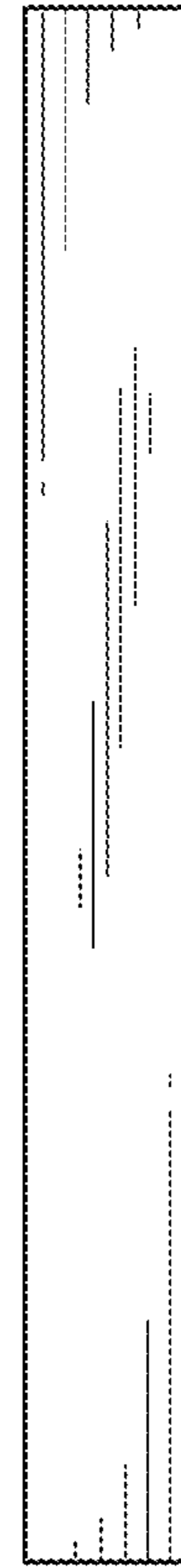


FIG. 5



FIG. 6

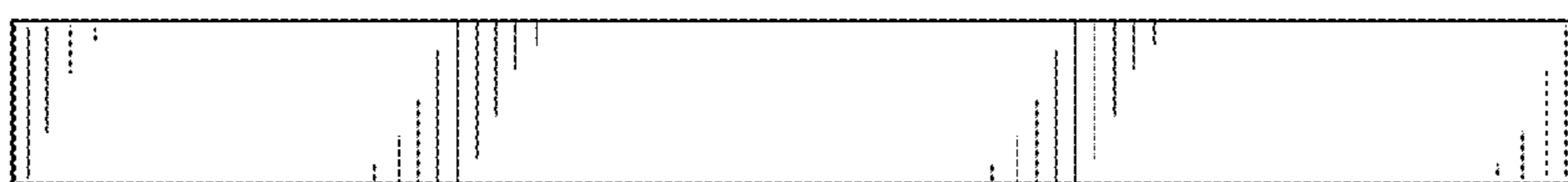


FIG. 7