



US00D747101S

(12) **United States Design Patent**  
**Goodman et al.**

(10) **Patent No.:** **US D747,101 S**  
(45) **Date of Patent:** **\*\* Jan. 12, 2016**

(54) **BASKET**

(71) Applicant: **Spectrum Diversified Designs, Inc.**,  
Streetsboro, OH (US)

(72) Inventors: **Sheldon H. Goodman**, Solon, OH (US);  
**Phaysouk Xayoiphonh**, Akron, OH  
(US)

(73) Assignee: **Spectrum Diversified Designs, LLC**,  
Streetsboro, OH (US)

(\*\*) Term: **14 Years**

(21) Appl. No.: **29/518,604**

(22) Filed: **Feb. 25, 2015**

(51) **LOC (10) Cl.** ..... **03-01**

(52) **U.S. Cl.**  
USPC ..... **D3/304**

(58) **Field of Classification Search**  
USPC ..... D3/304, 307, 308, 315; D9/425, 428,  
D9/435; D30/119, 121-133; D6/525, 553  
CPC ..... B65D 1/00; B65D 21/02; B65D 21/00  
See application file for complete search history.

(56) **References Cited**

**U.S. PATENT DOCUMENTS**

3,759,416 A \* 9/1973 Constantine ..... B65D 21/0233  
206/505

D302,620 S \* 8/1989 Quong ..... D3/314  
D402,466 S \* 12/1998 Werbesky, Jr. .... D3/304  
D435,728 S \* 1/2001 Miles ..... D3/304  
D535,821 S \* 1/2007 Chen ..... D19/85  
D651,470 S \* 1/2012 Henderson ..... D7/554.3  
D672,960 S \* 12/2012 Turner ..... D3/304  
D739,723 S \* 9/2015 Dorfman ..... D9/425  
D740,122 S \* 10/2015 Rathbone ..... D9/529  
D740,566 S \* 10/2015 Szilagyi ..... D3/315

\* cited by examiner

*Primary Examiner* — Kelley Donnelly

(74) *Attorney, Agent, or Firm* — Benesch Friedlander  
Coplan & Aronoff LLP

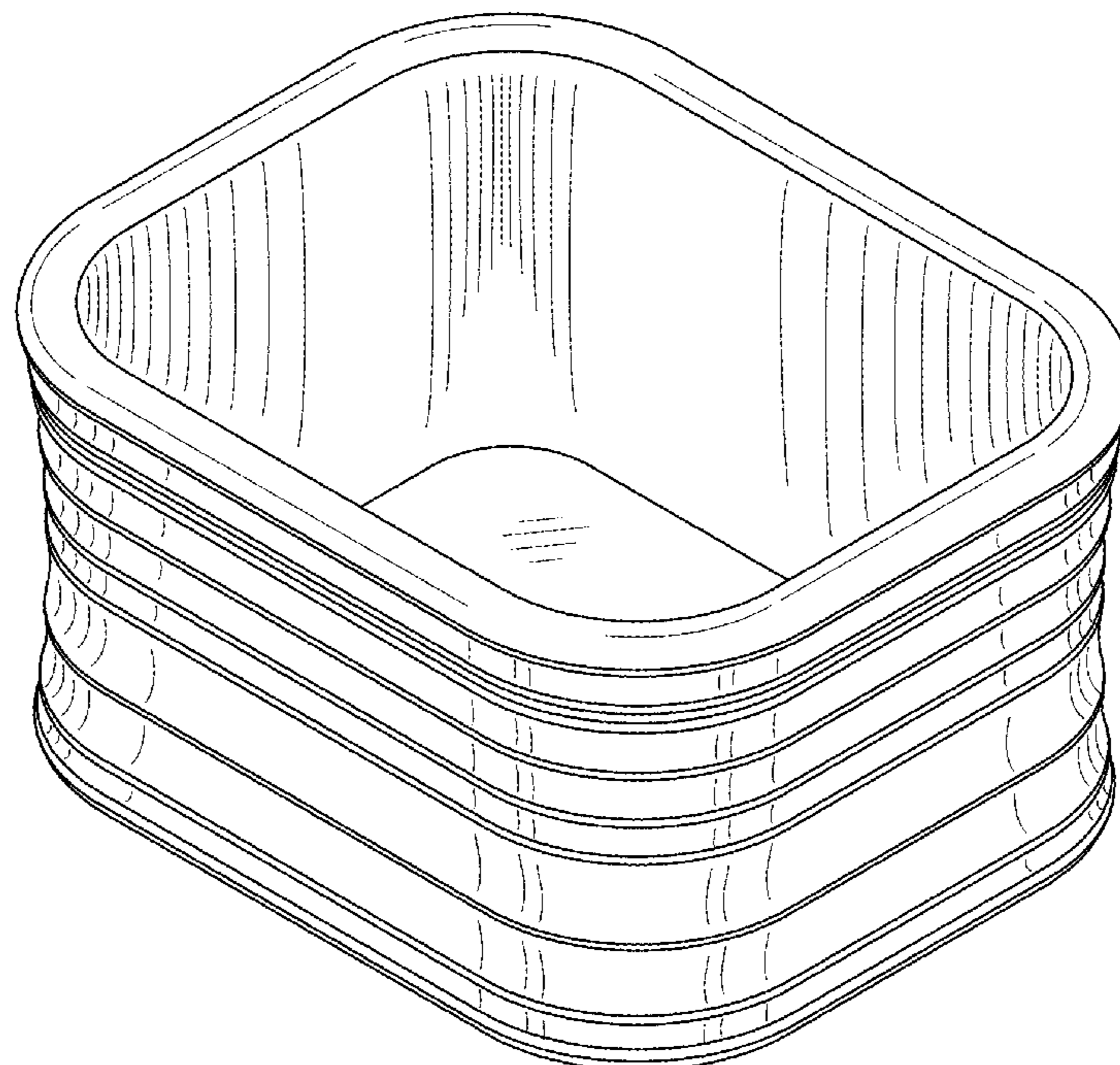
(57) **CLAIM**

What is claimed is the ornamental design for a basket, as  
shown and described.

**DESCRIPTION**

FIG. 1 is a perspective view of a basket showing a new design;  
FIG. 2 is a front view of the basket of FIG. 1;  
FIG. 3 is a side view of the basket of FIG. 1;  
FIG. 4 is a top view of the basket of FIG. 1; and,  
FIG. 5 is a bottom view of the basket of FIG. 1.  
The components of the display shown in broken lines illus-  
trate portions of the basket form no part of the claimed design.

**1 Claim, 3 Drawing Sheets**



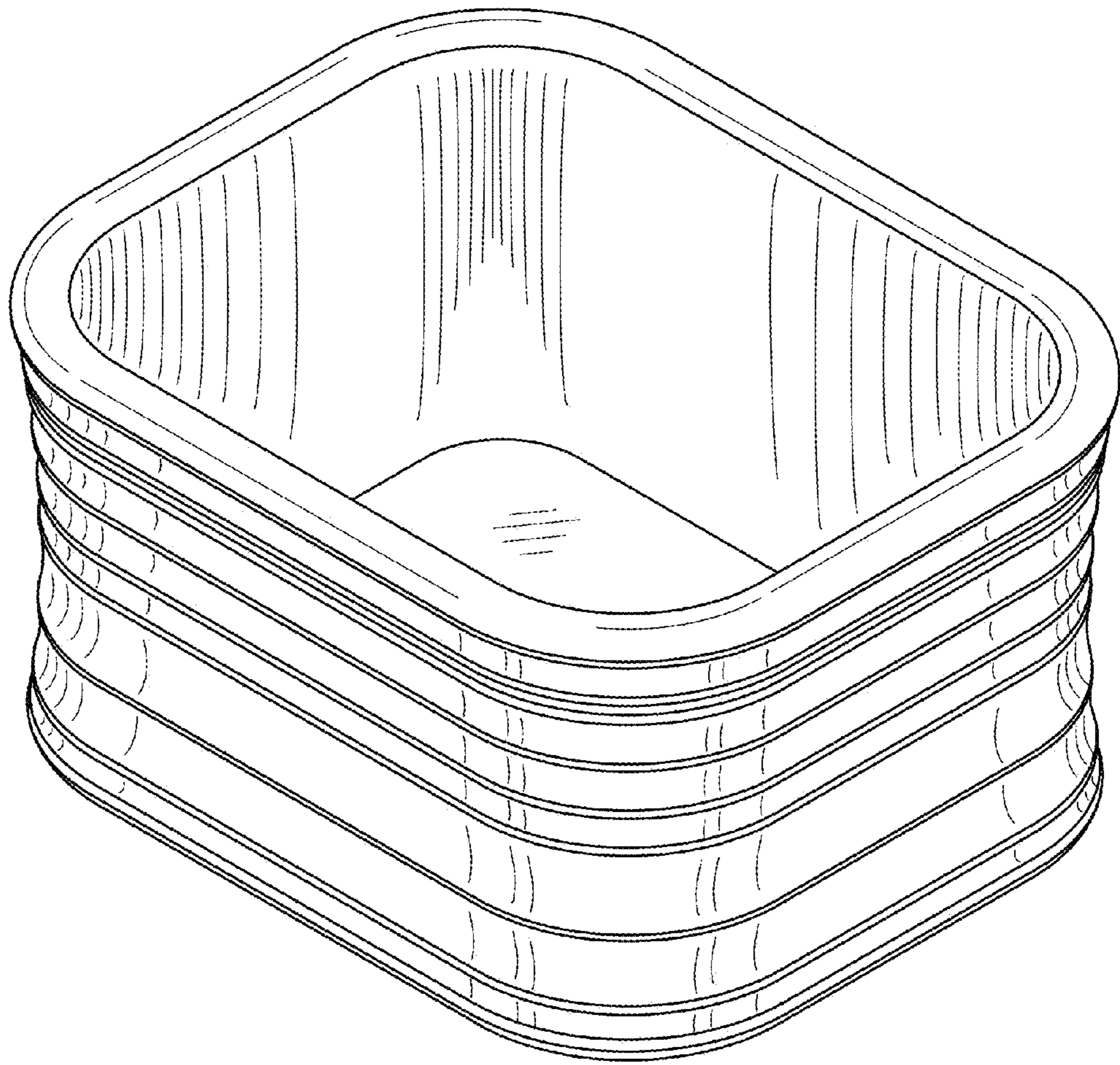


FIG. 1

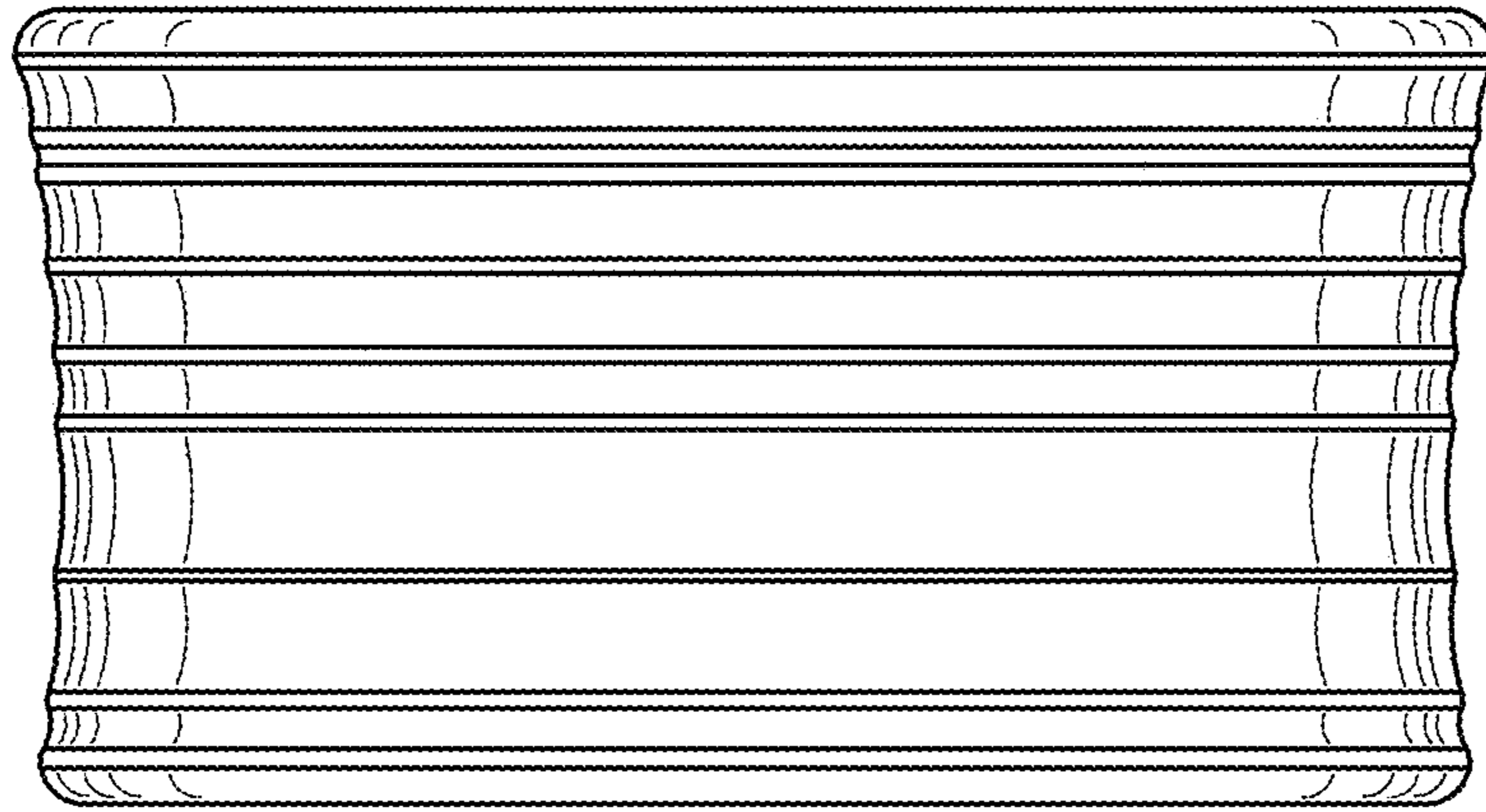


FIG. 2

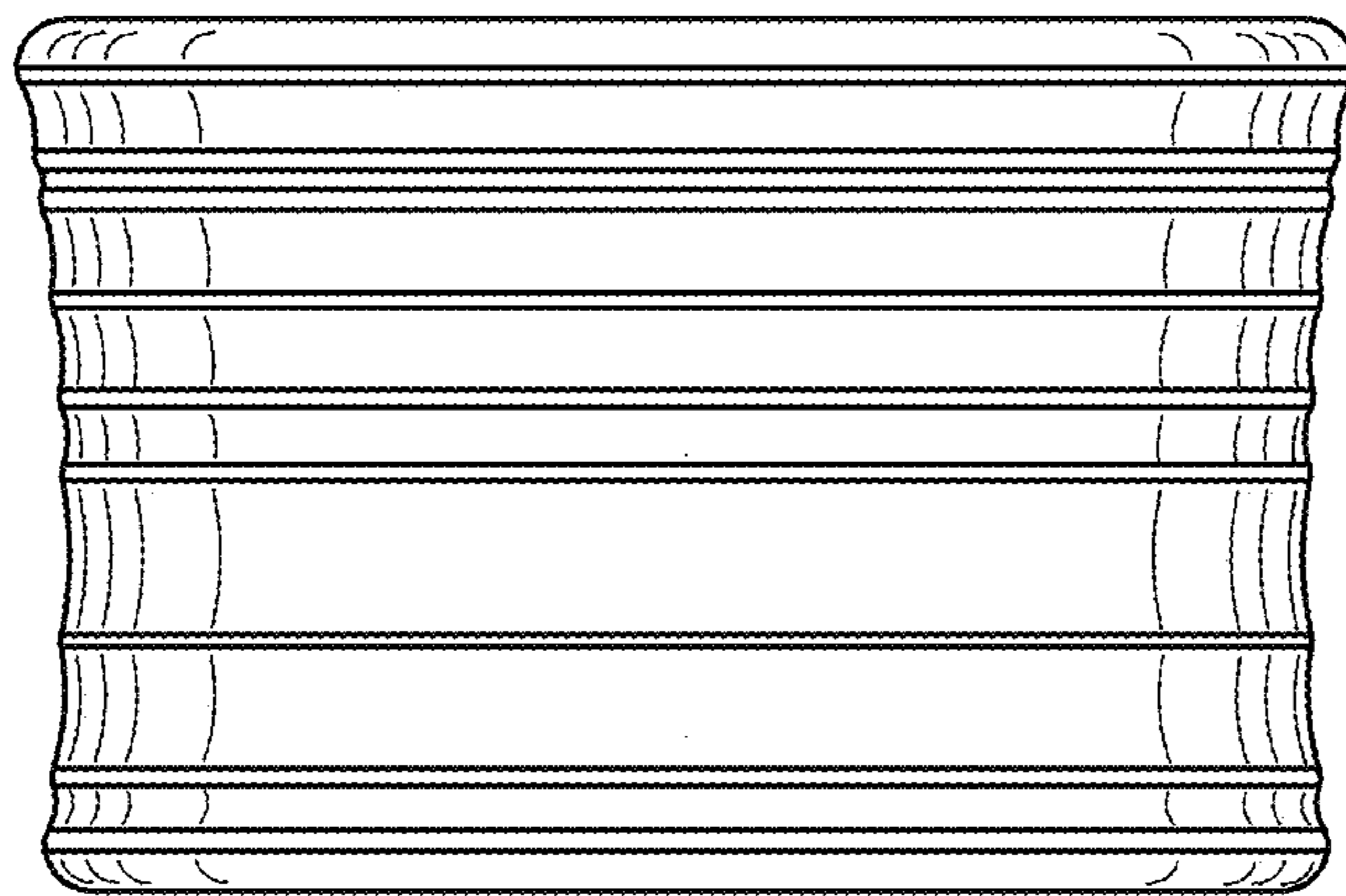


FIG. 3

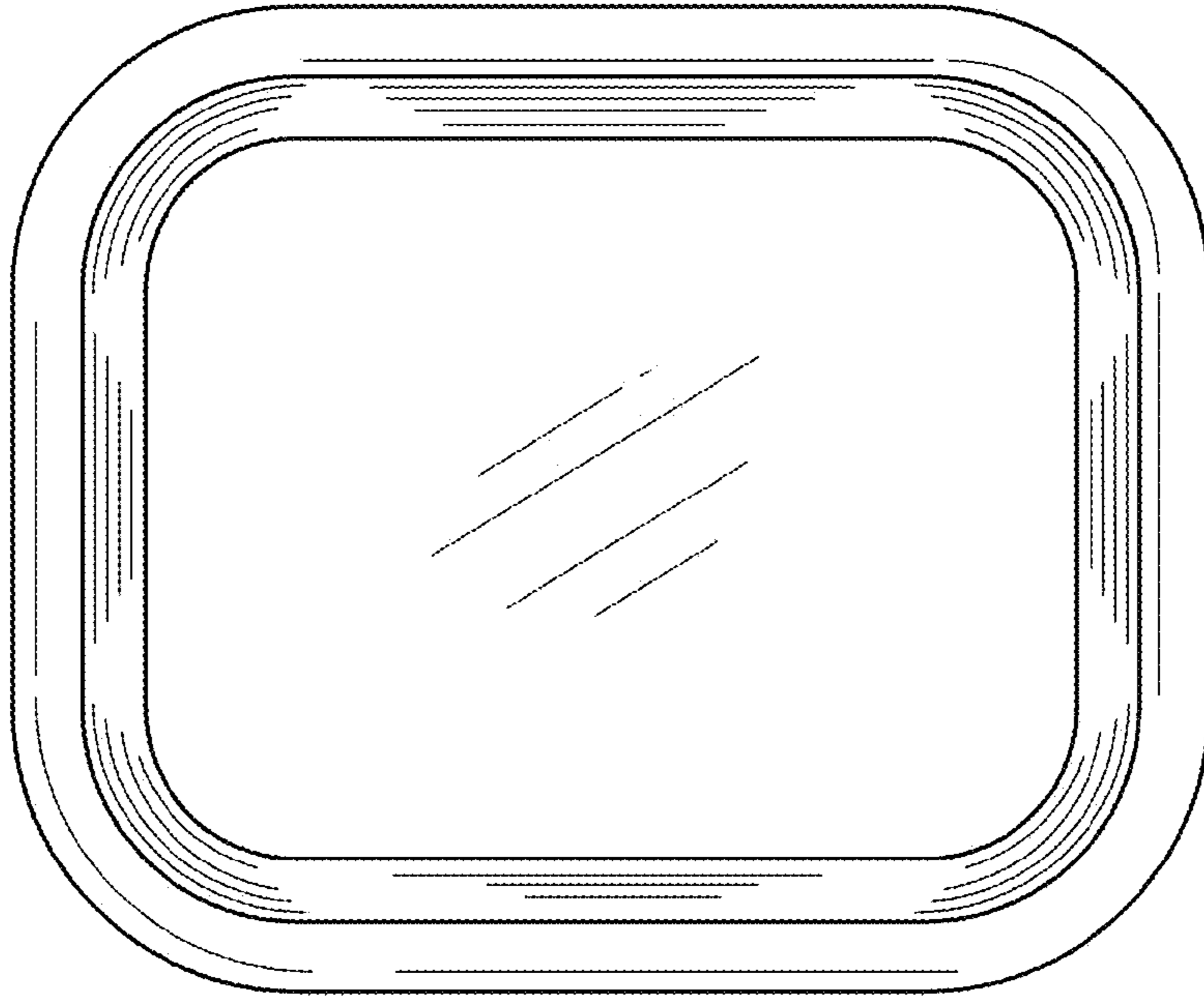


FIG. 4

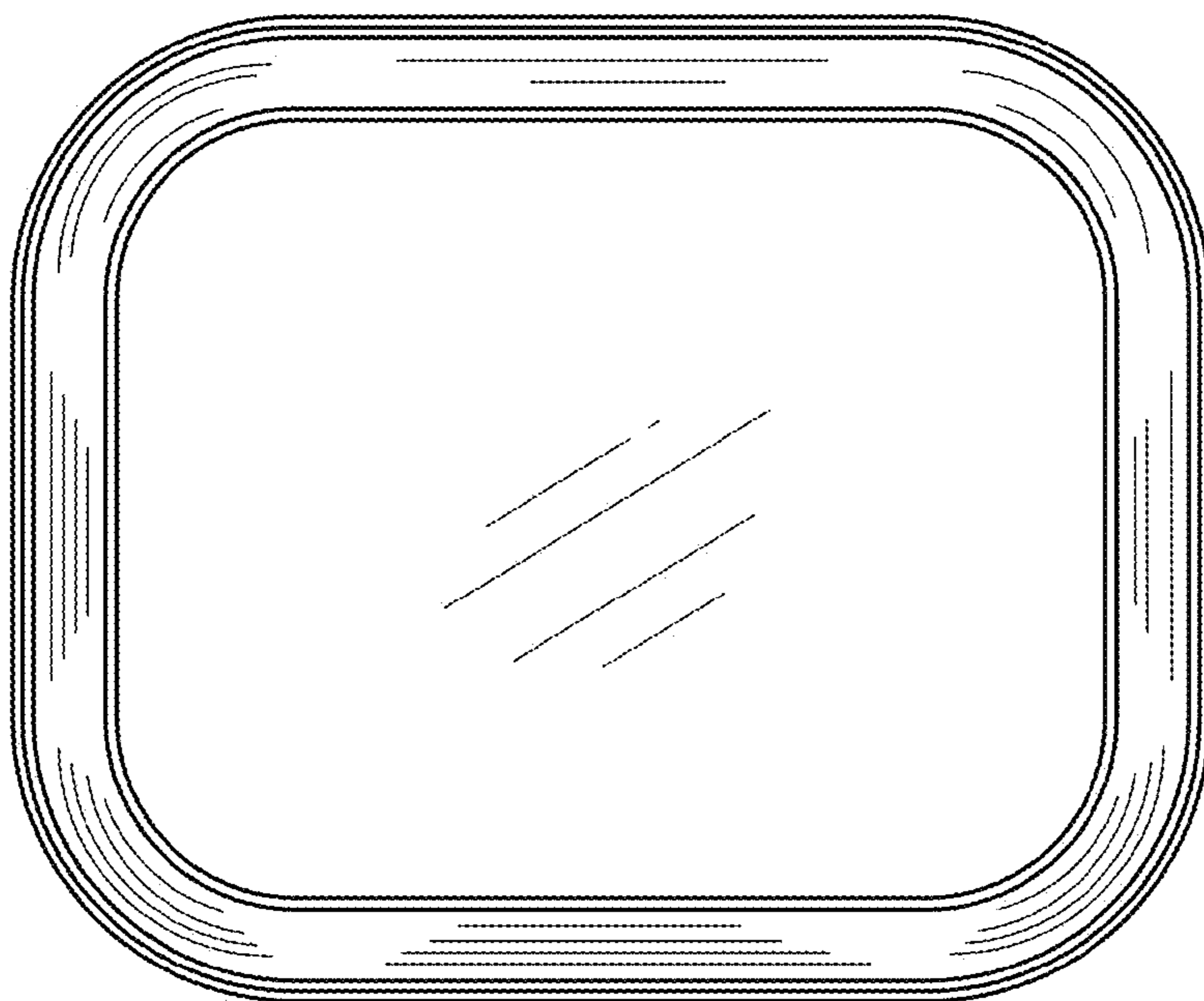


FIG. 5