



US00D747100S

(12) **United States Design Patent**
Wallbaum et al.

(10) **Patent No.:** **US D747,100 S**
(45) **Date of Patent:** **** Jan. 12, 2016**

(54) **MODULAR TOOL BOX AND COMPONENTS THEREFOR**

(71) Applicant: **Kirchhoff Witte GmbH**, Iserlohn (DE)

(72) Inventors: **Reiner Wallbaum**, Düsseldorf (DE);
Johannes Hohenhaus, Iserlohn (DE)

(73) Assignee: **KIRCHHOFF WITTE GMBH**,
Iserlohn (DE)

(**) Term: **14 Years**

(21) Appl. No.: **29/485,141**

(22) Filed: **Mar. 17, 2014**

(30) **Foreign Application Priority Data**

Sep. 17, 2013 (EM) 002311225

(51) **LOC (10) Cl.** **03-01**

(52) **U.S. Cl.**
USPC **D3/284; D3/905**

(58) **Field of Classification Search**
USPC D3/201, 273, 283–284, 286, 295, 905;
206/349, 372–375

See application file for complete search history.

(56) **References Cited**

U.S. PATENT DOCUMENTS

D370,781 S * 6/1996 Vasudeva D3/284
5,826,718 A * 10/1998 Ahern, Jr. B25H 3/021
206/372

(Continued)

Primary Examiner — Catheri Oliver-Garcia

(74) *Attorney, Agent, or Firm* — Polson Intellectual Property
Law, PC; Margaret Polson

(57) **CLAIM**

The ornamental design for a modular tool box and components therefor, as shown and described.

DESCRIPTION

FIG. 1 is a top and side perspective view of a first piece of our new design for a modular toolbox and components therefor; FIG. 2 is a front elevation view thereof; FIG. 3 is a rear elevation view thereof; FIG. 4 is a top plan view thereof; FIG. 5 is a bottom plan view thereof; FIG. 6 is a side elevation view thereof, with both sides being mirror images;

FIG. 7 is a top and side perspective view of an alternate embodiment of FIG. 1, where the only difference being the number of holding spaces, it being understood that all other surfaces are the same as the embodiment of FIG. 1;

FIG. 8 is a front and side perspective view of a second piece of our new design for a modular toolbox and components therefor;

FIG. 9 is a rear elevation view thereof;

FIG. 10 is a front elevation view thereof;

FIG. 11 is a side elevation view thereof, with both sides being mirror images;

FIG. 12 is a top plan view thereof;

FIG. 13 is a bottom plan view thereof;

FIG. 14 is a top, front and side perspective view of a third piece of our new design for a modular tool box and components therefor;

FIG. 15 is a top, front an opposite side perspective view thereof;

FIG. 16 is a front elevation view thereof;

FIG. 17 is a rear elevation view thereof;

FIG. 18 is a top plan view thereof;

FIG. 19 is a bottom plan view thereof;

FIG. 20 is a right side elevation view thereof;

FIG. 21 is a left side elevation view thereof;

FIG. 22 is a top and side perspective view of a fourth piece of our new design for a modular tool box and components therefor;

FIG. 23 is a top and front perspective view thereof;

FIG. 24 is a rear elevation view thereof;

FIG. 25 is a front elevation view thereof;

FIG. 26 is a top plan view thereof;

FIG. 27 is a bottom plan view thereof;

FIG. 28 is a side elevation view thereof, with both sides being mirror images;

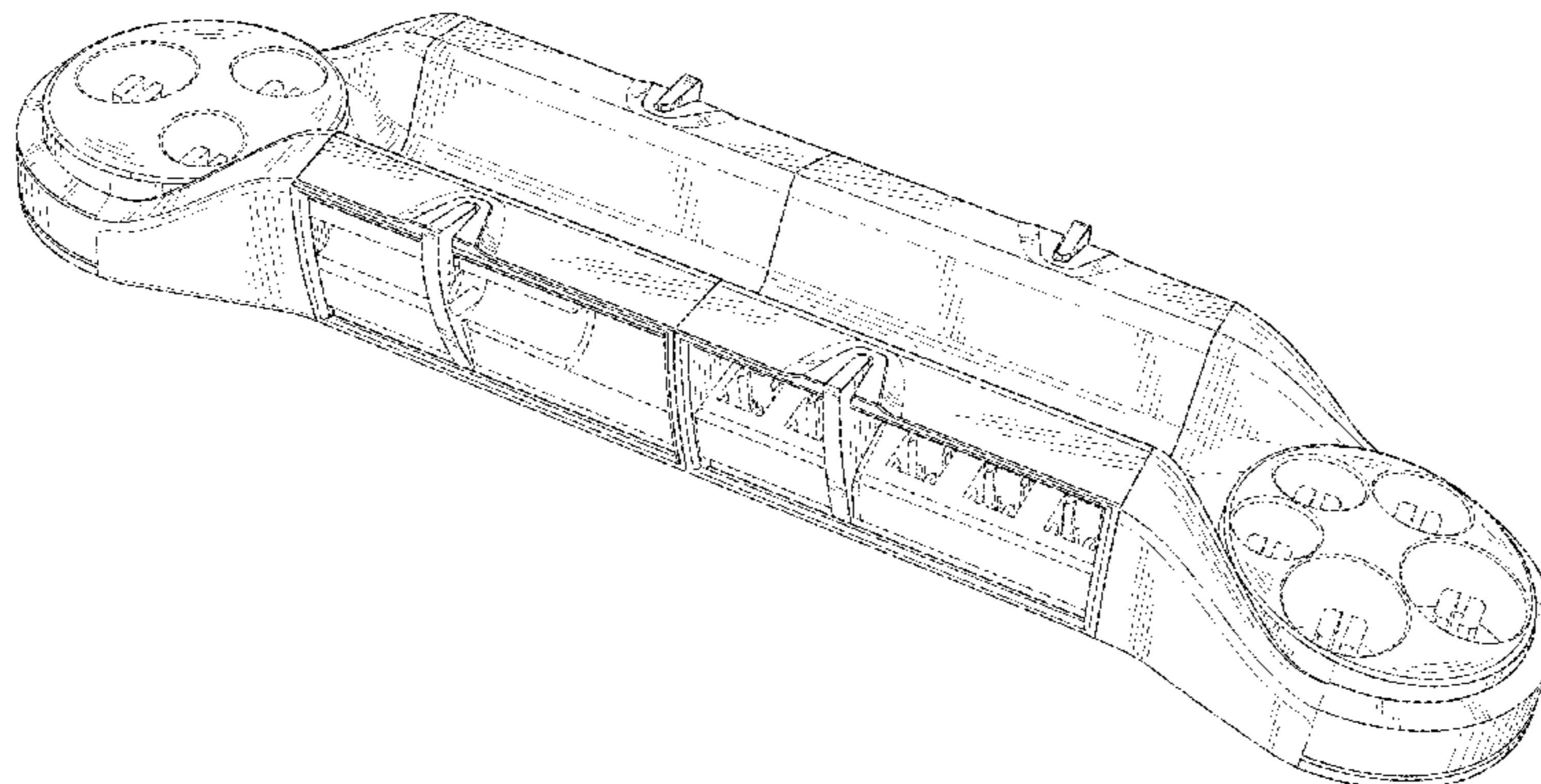
FIG. 29 is a front perspective view of one possible configuration of the modular tool box and components therefor assembled; and,

FIG. 30 is a front perspective view of another possible configuration of the modular tool box and components therefor assembled.

It is to be understood that the pieces of the tool box could be assembled in a wide variety of possible configurations, including uses multiples of a give piece in a given configuration. The design of the pieces is claimed regardless of the assembled tool box.

It is to be understood that the pieces of the tool box could be assembled in a wide variety of possible configurations, including using multiples of a given piece in a given configuration. Other than the section disclaimed by the broken lines and unclaimed borders, it is to be understood that all other surfaces are the same in all embodiments.

1 Claim, 12 Drawing Sheets



US D747,100 S

Page 2

(56)

References Cited

U.S. PATENT DOCUMENTS

D437,684 S * 2/2001 Streich D3/273
7,159,712 B1 * 1/2007 Chen B25H 3/021
206/349
7,334,680 B2 * 2/2008 Cunningham B25H 3/023
206/372

D646,057 S * 10/2011 Loaiza D3/273
D670,495 S * 11/2012 Lorek D3/284
D715,547 S * 10/2014 Chen D3/284
8,899,417 B1 * 12/2014 Chen B25H 3/003
206/372
D727,024 S * 4/2015 Robinson D3/282

* cited by examiner

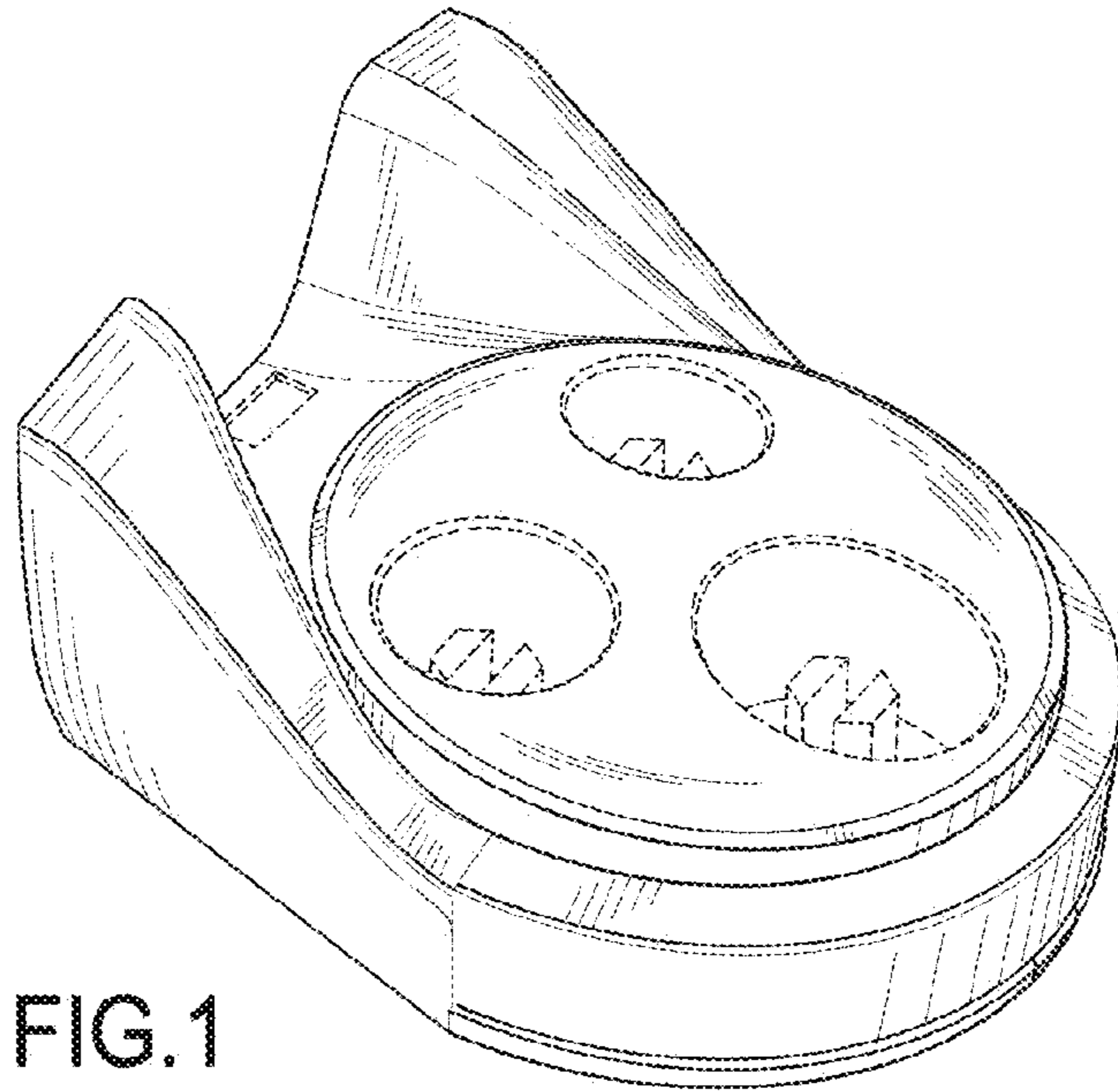


FIG. 1

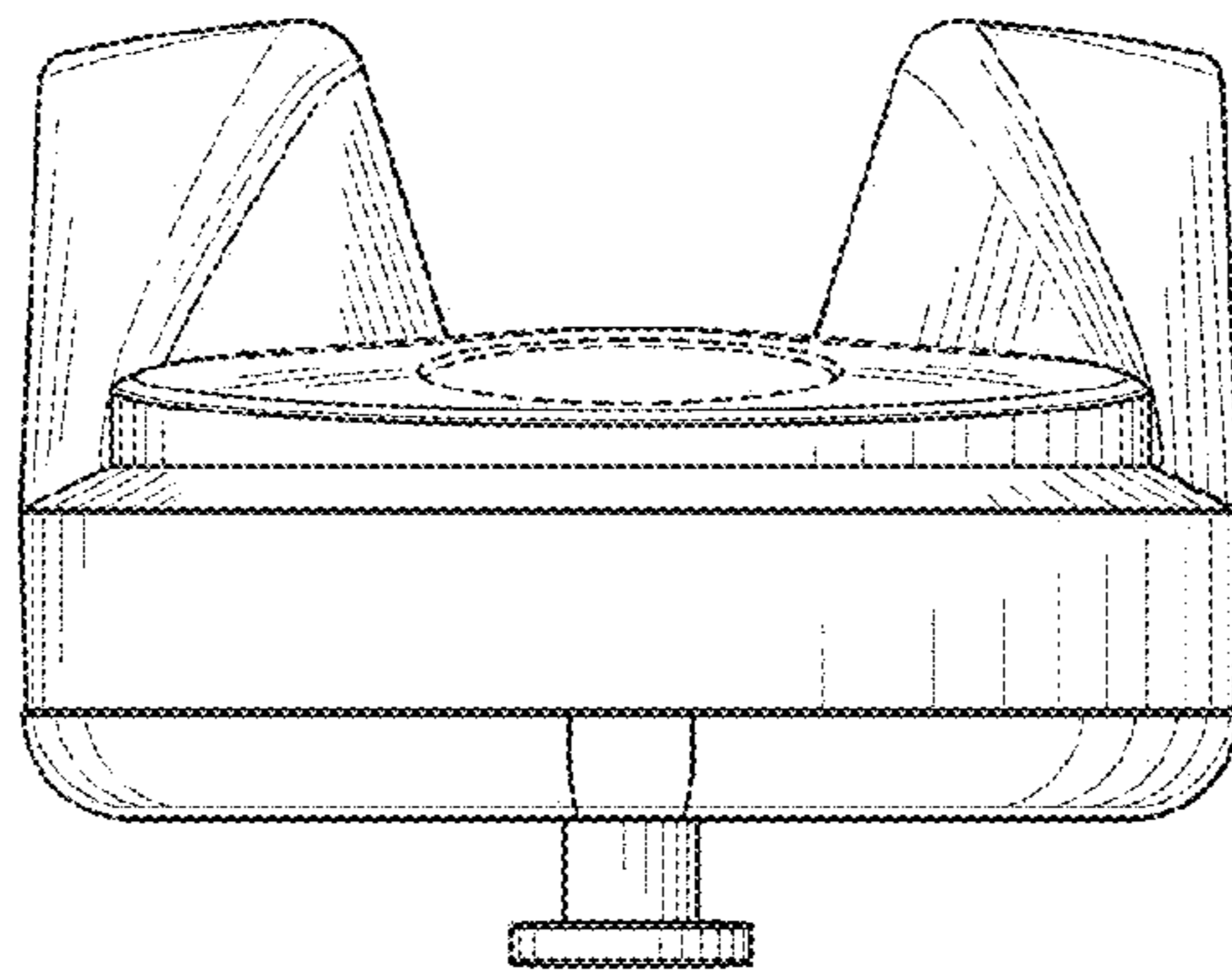


FIG. 2

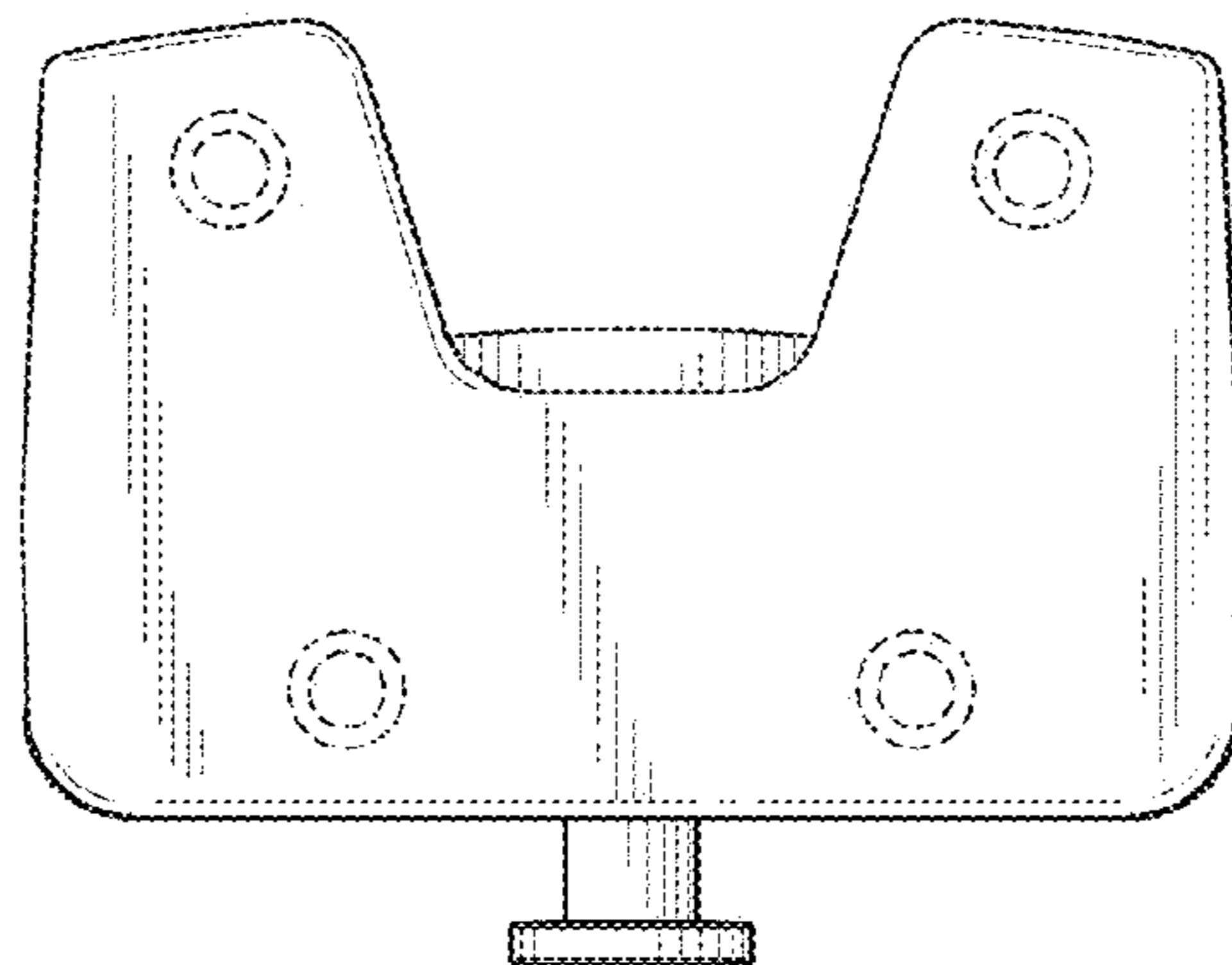


FIG. 3

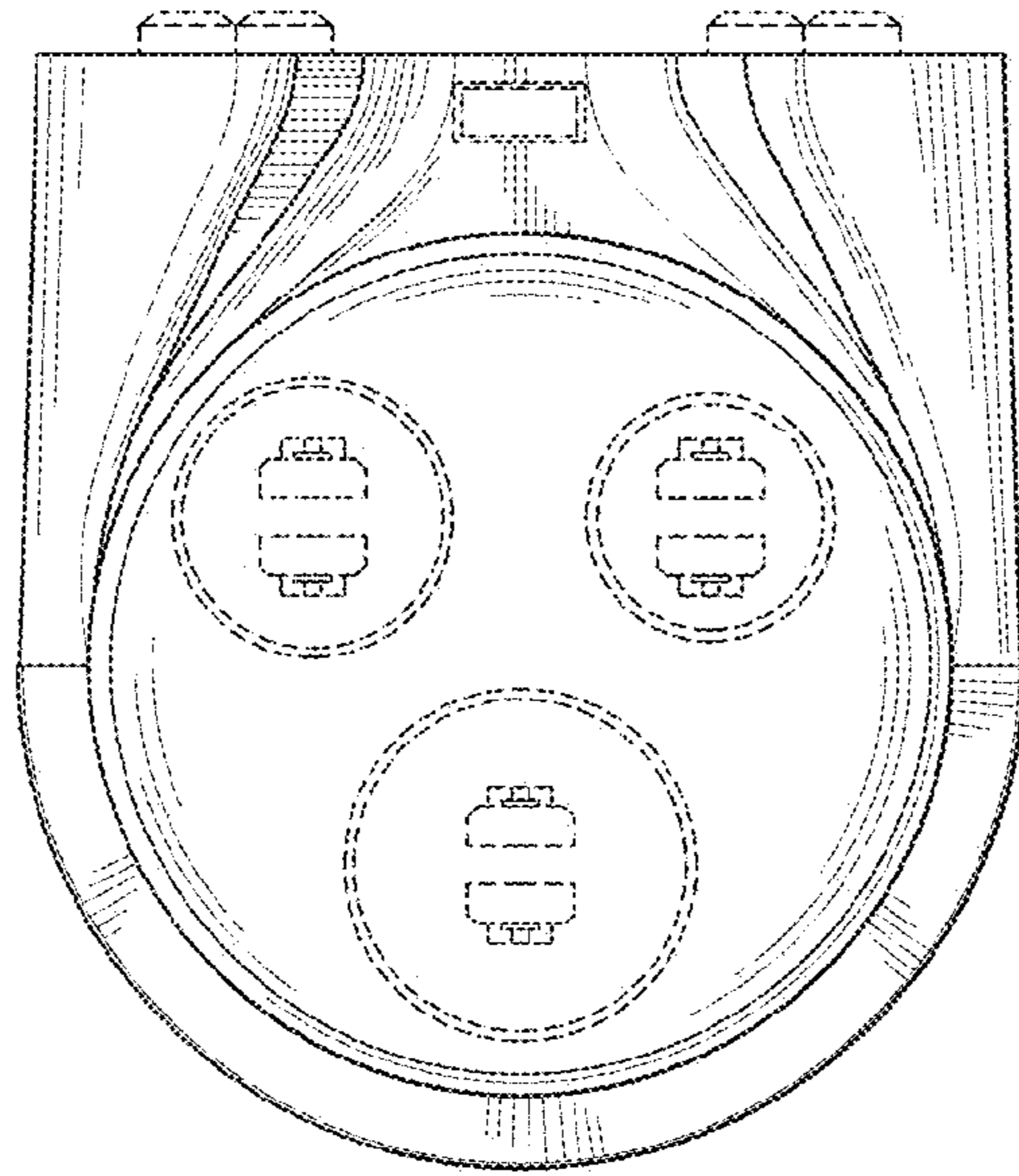


FIG. 4

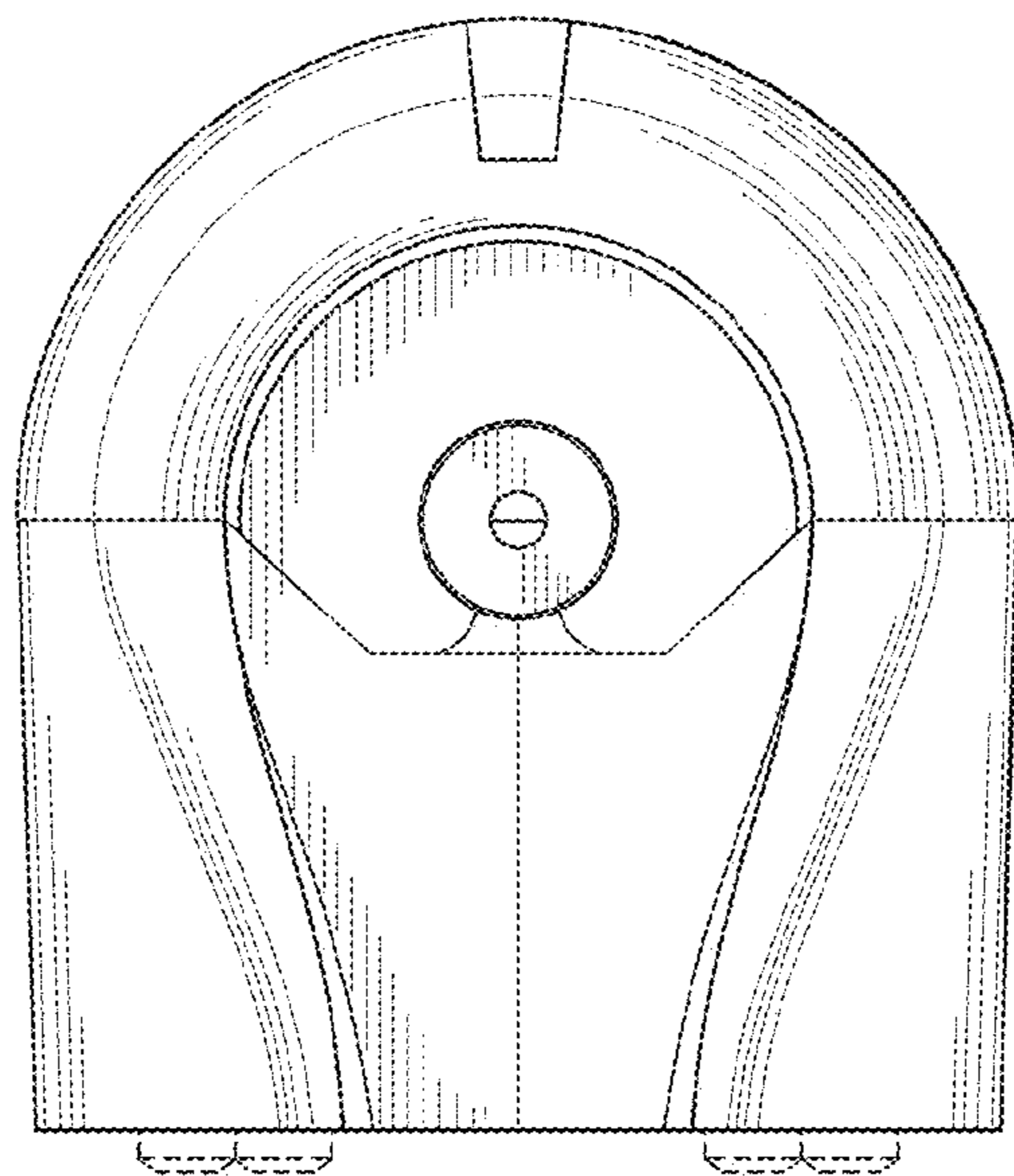


FIG. 5

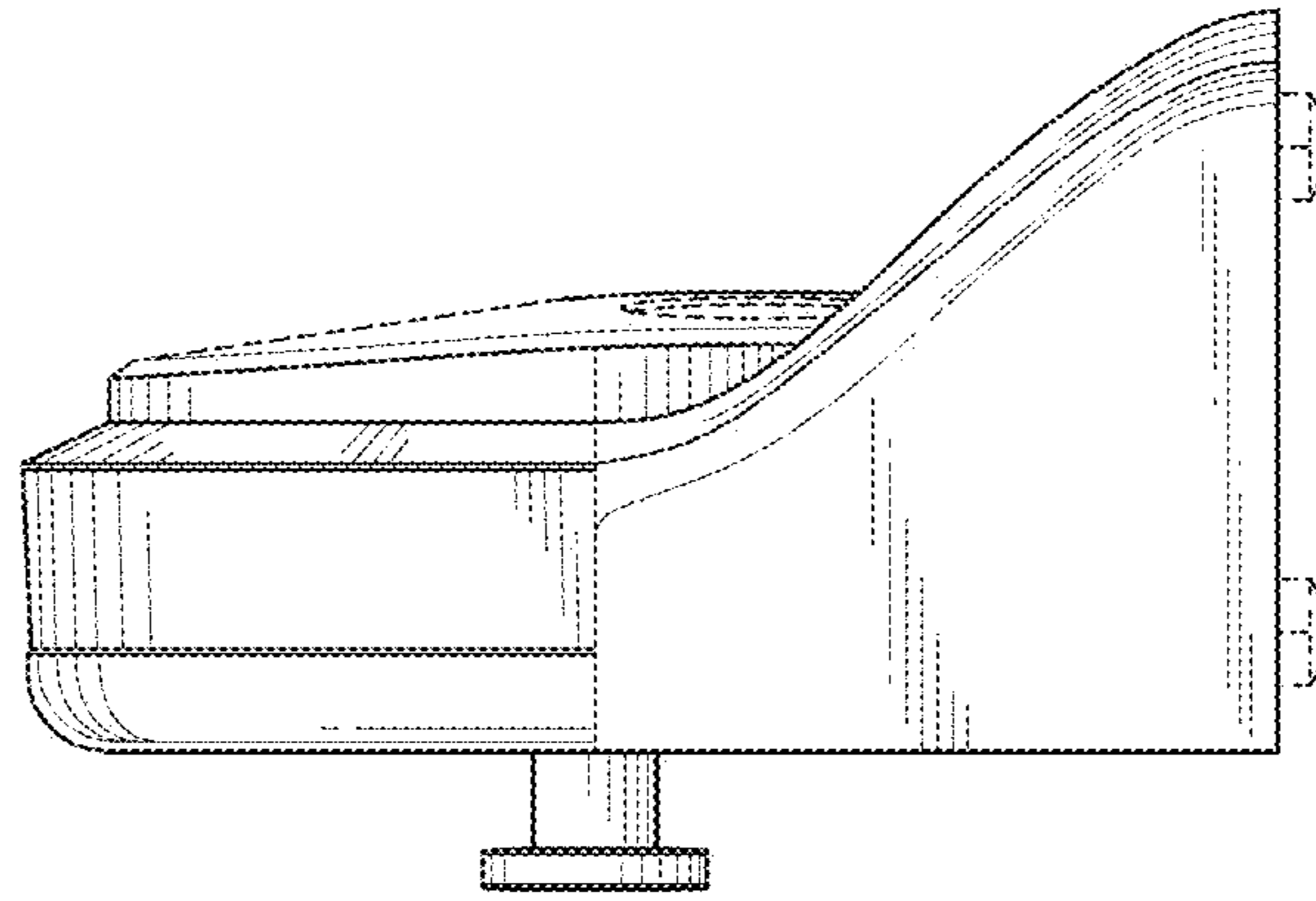


FIG. 6

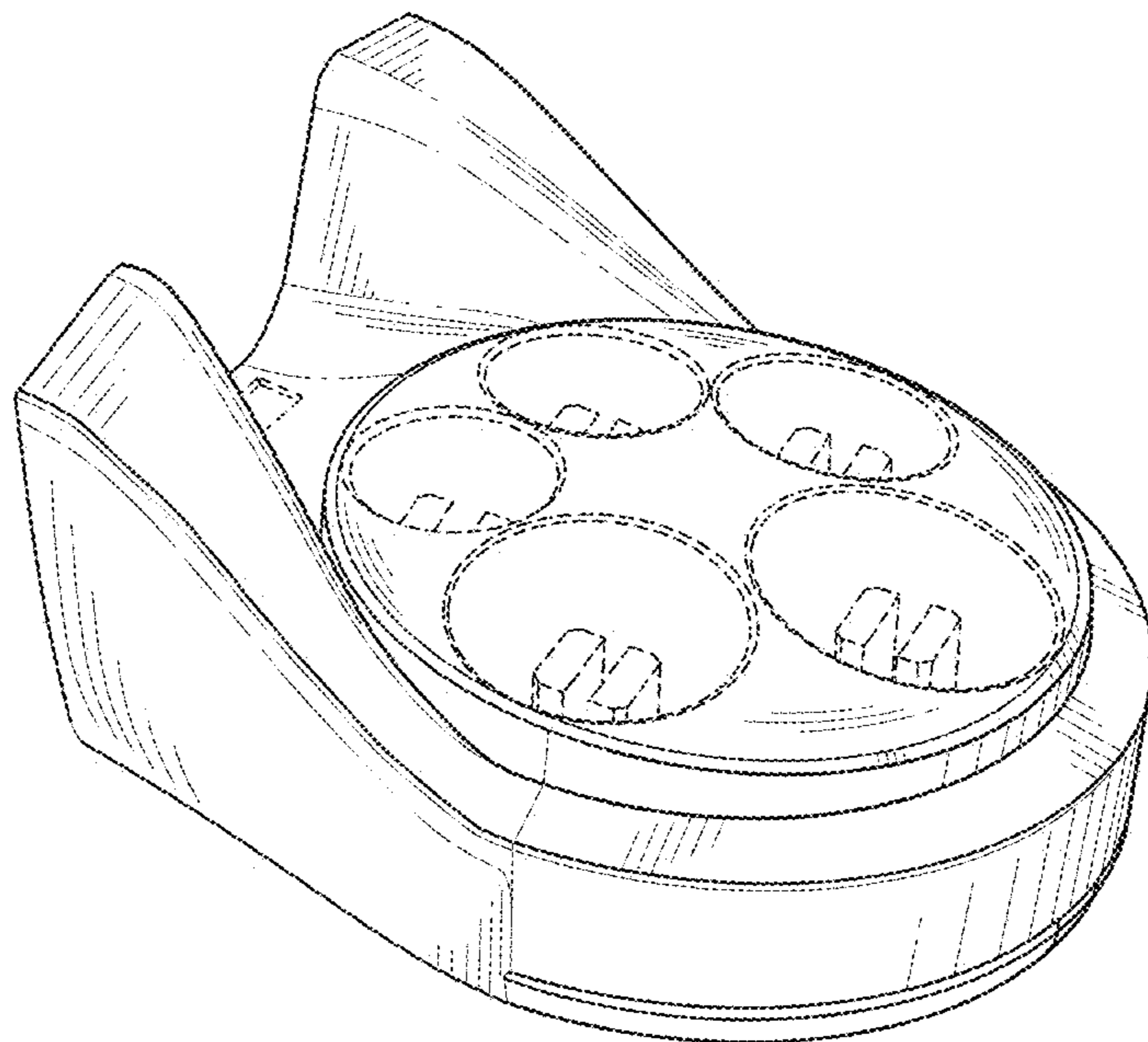


FIG. 7

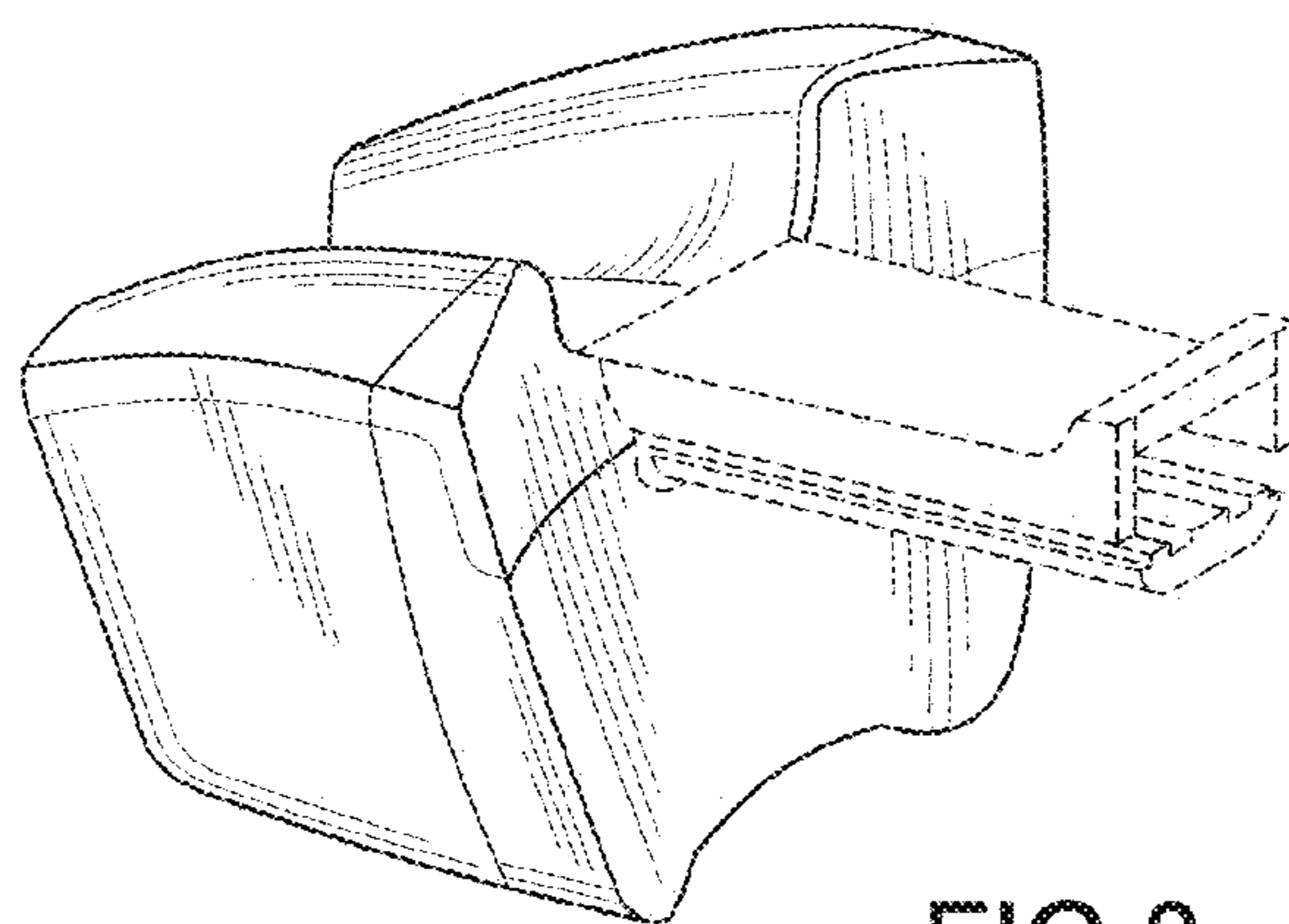


FIG. 8

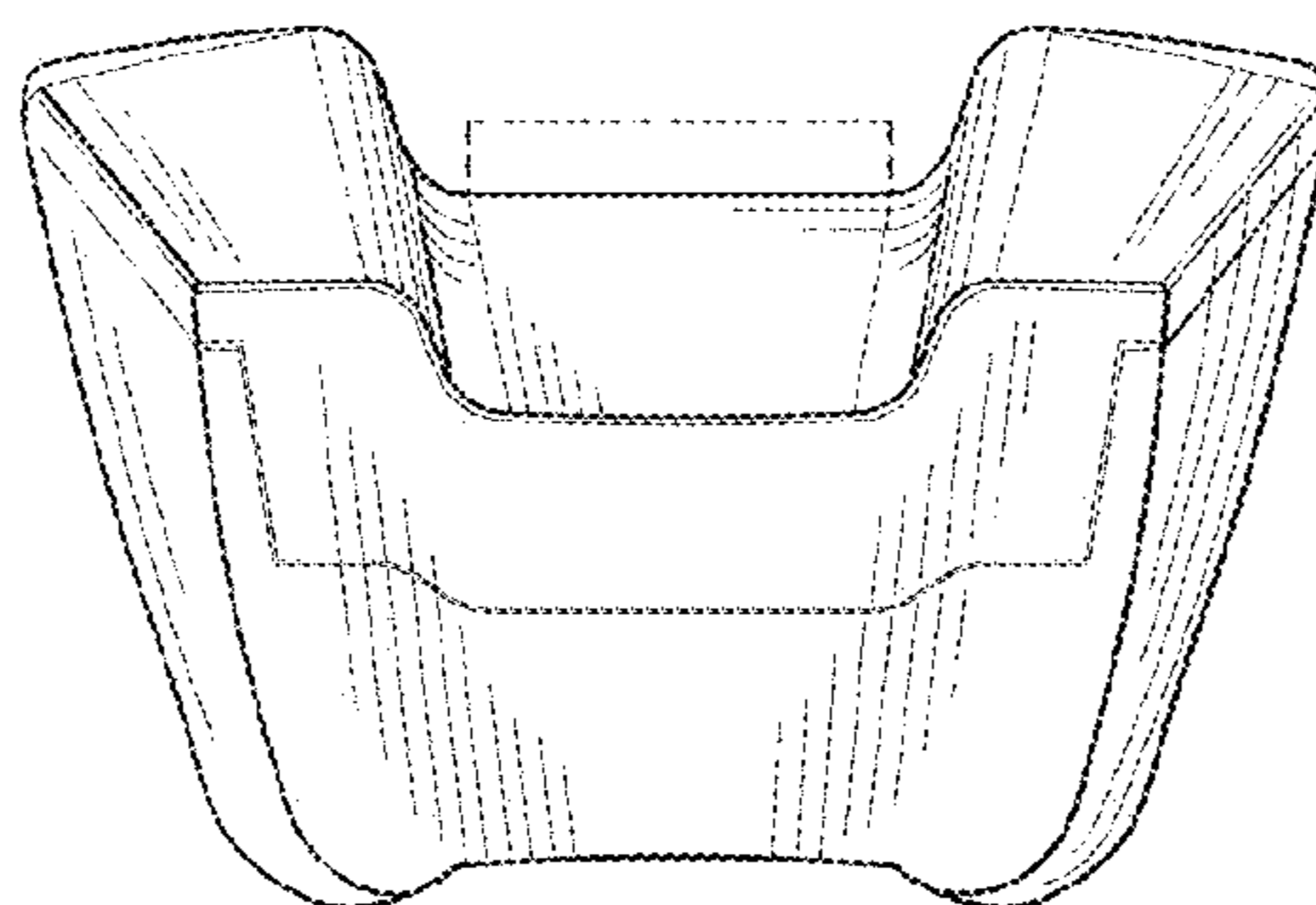


FIG. 9

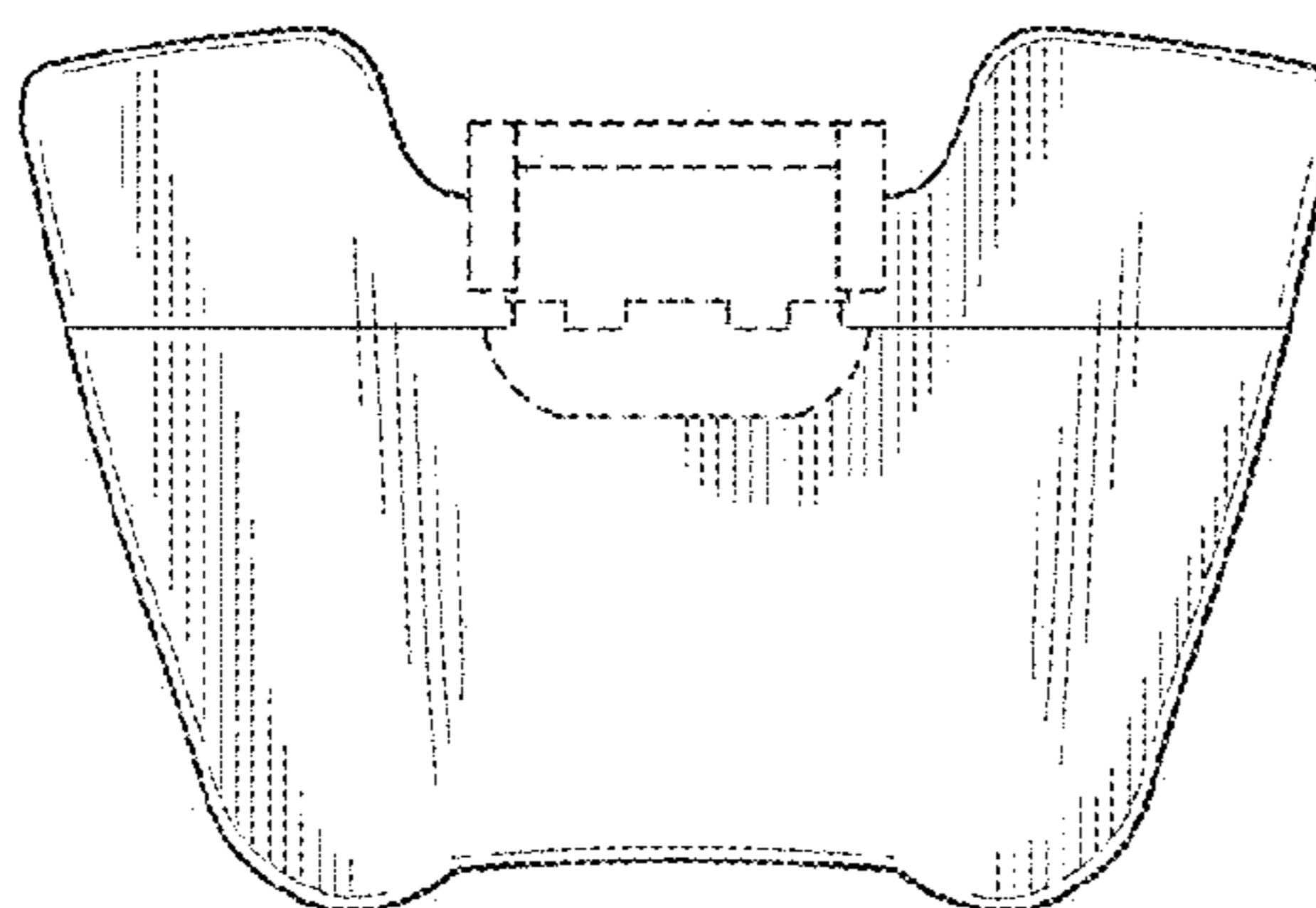


FIG. 10

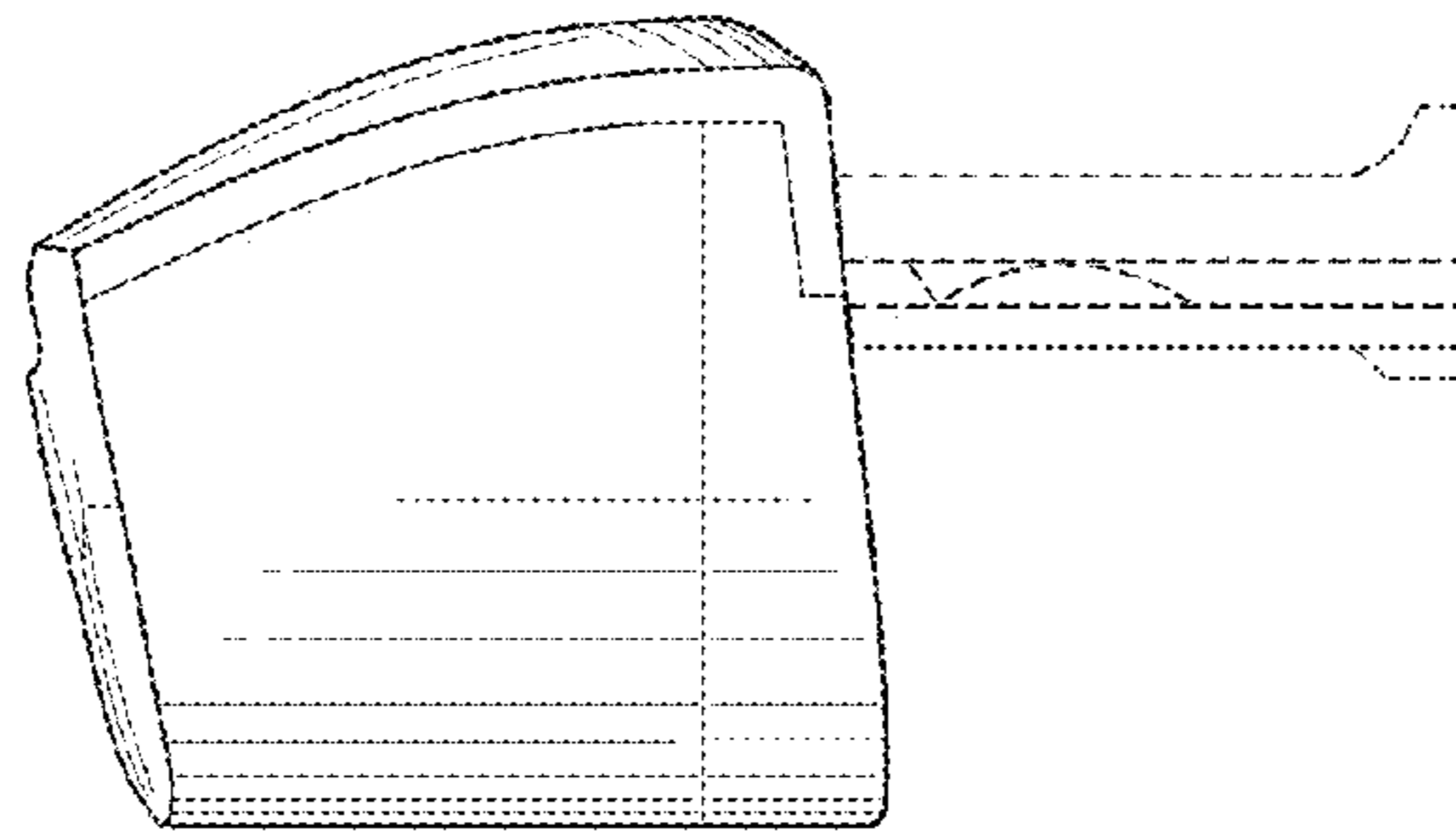


FIG. 11

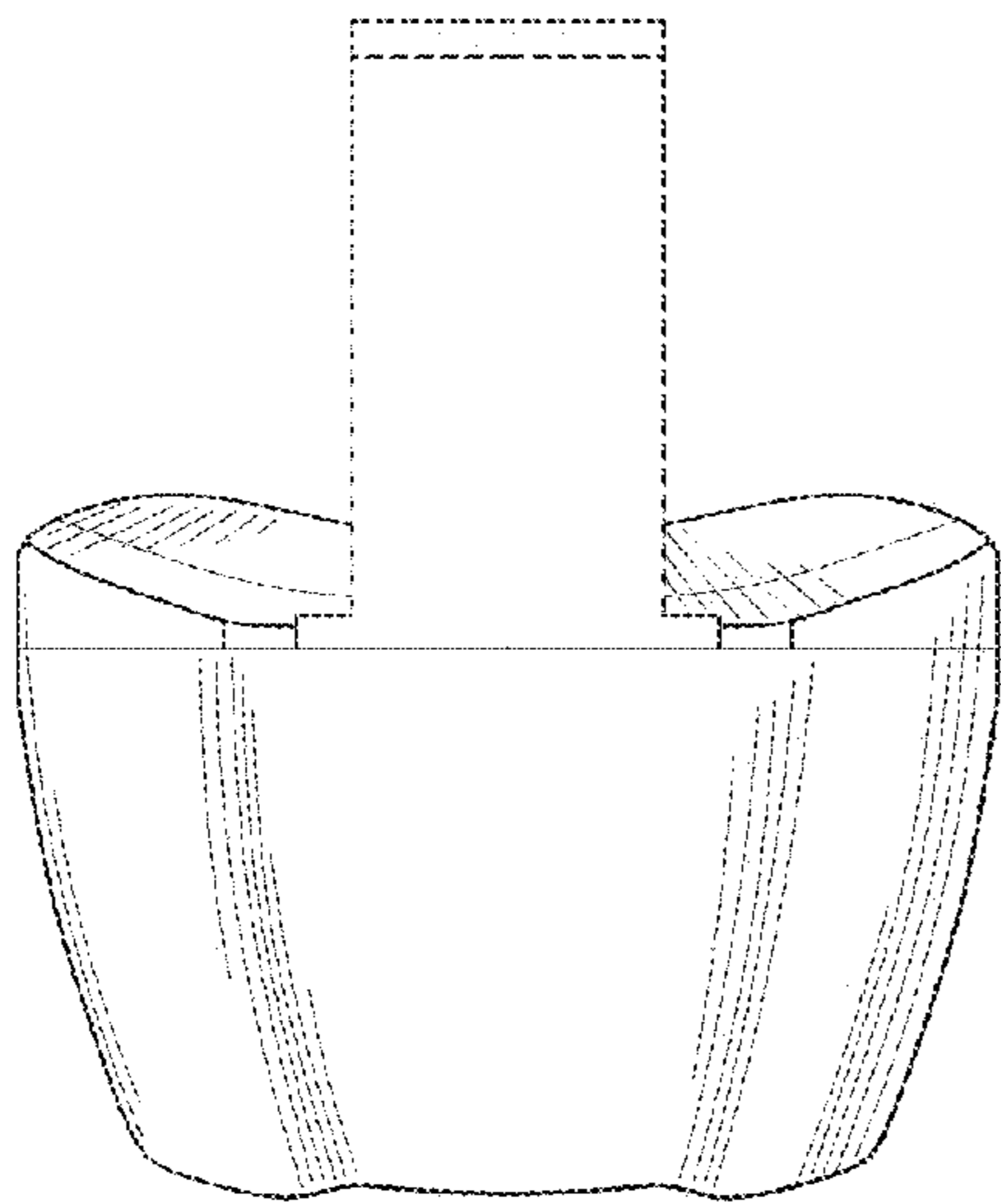


FIG. 12

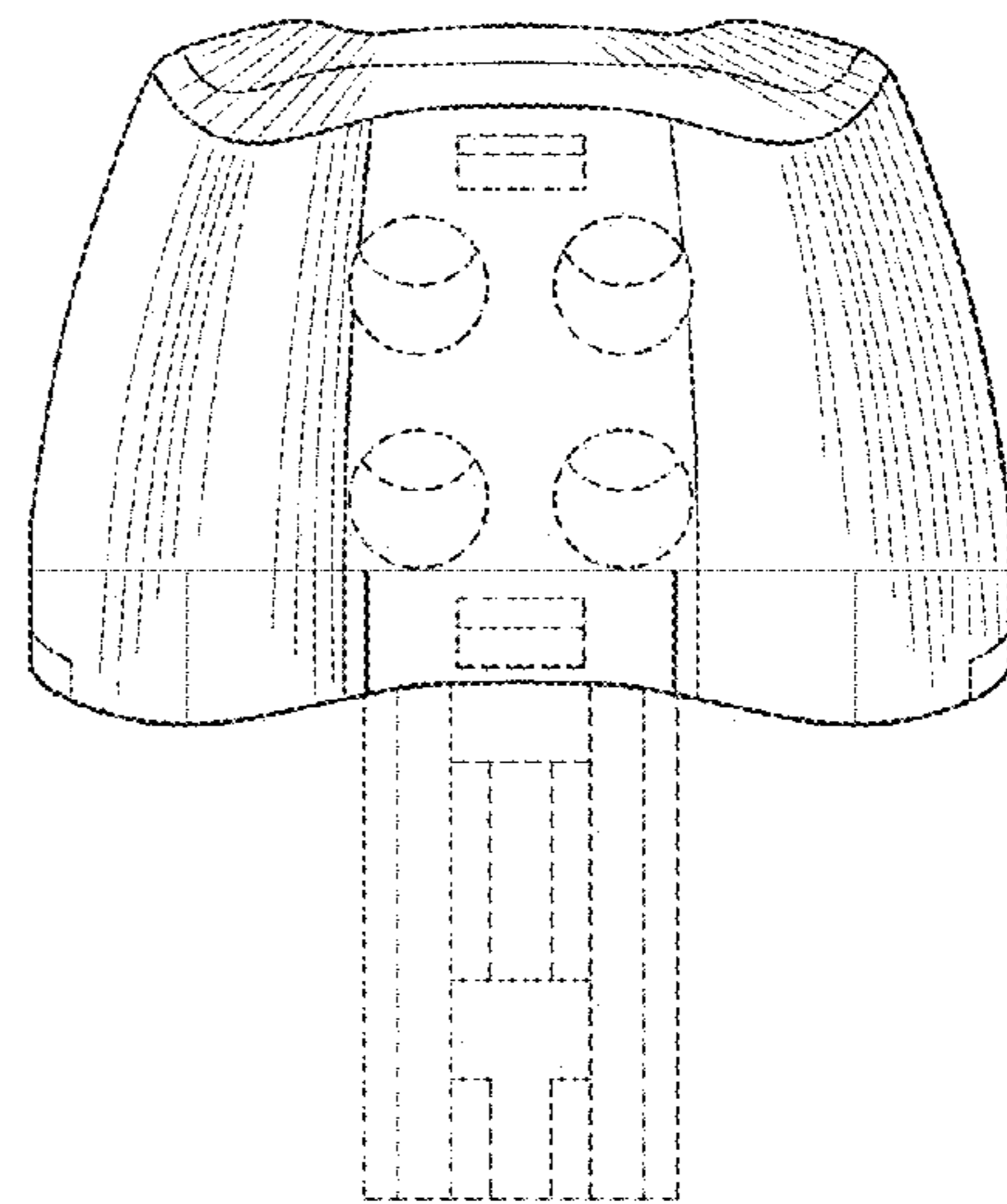


FIG. 13

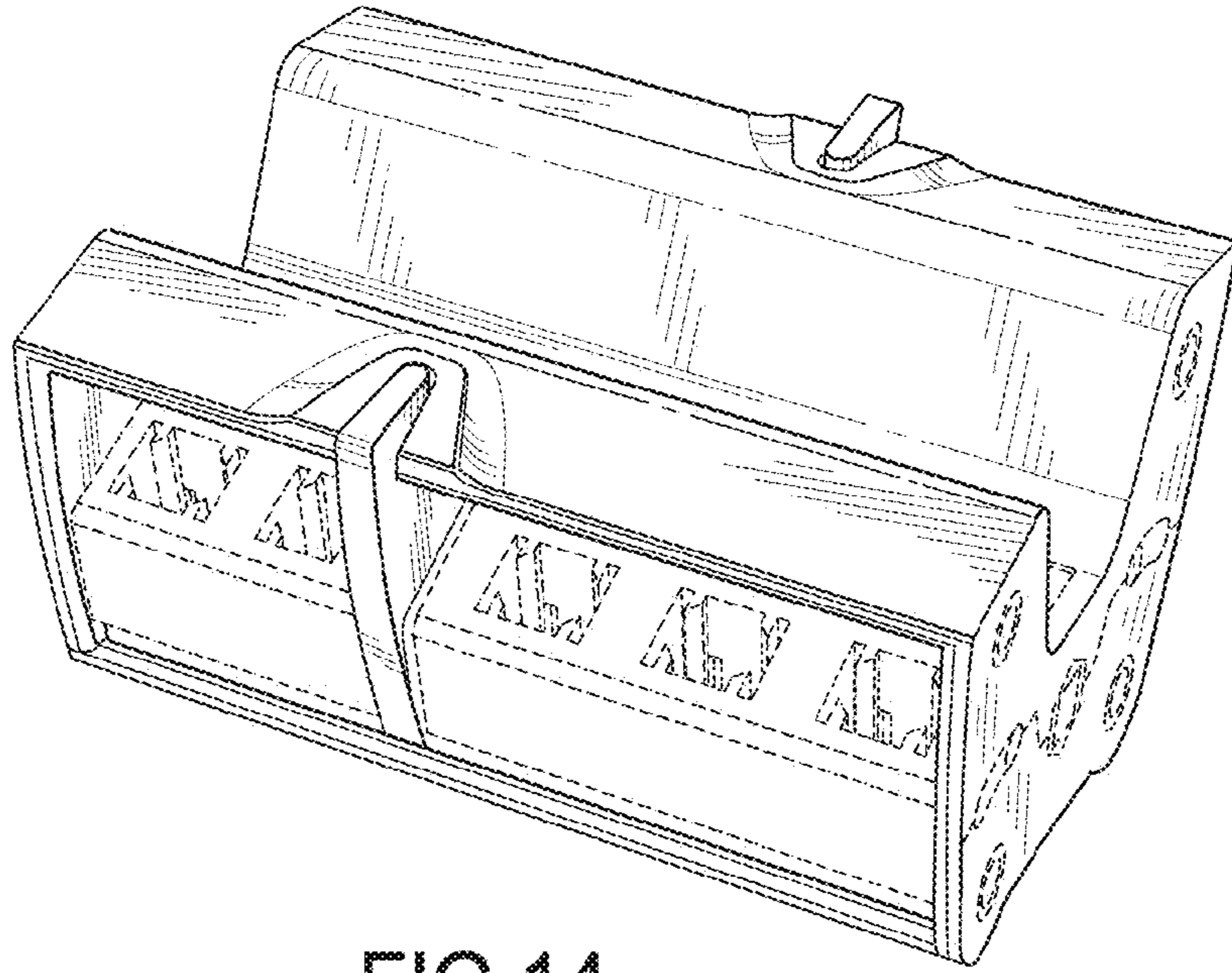


FIG. 14

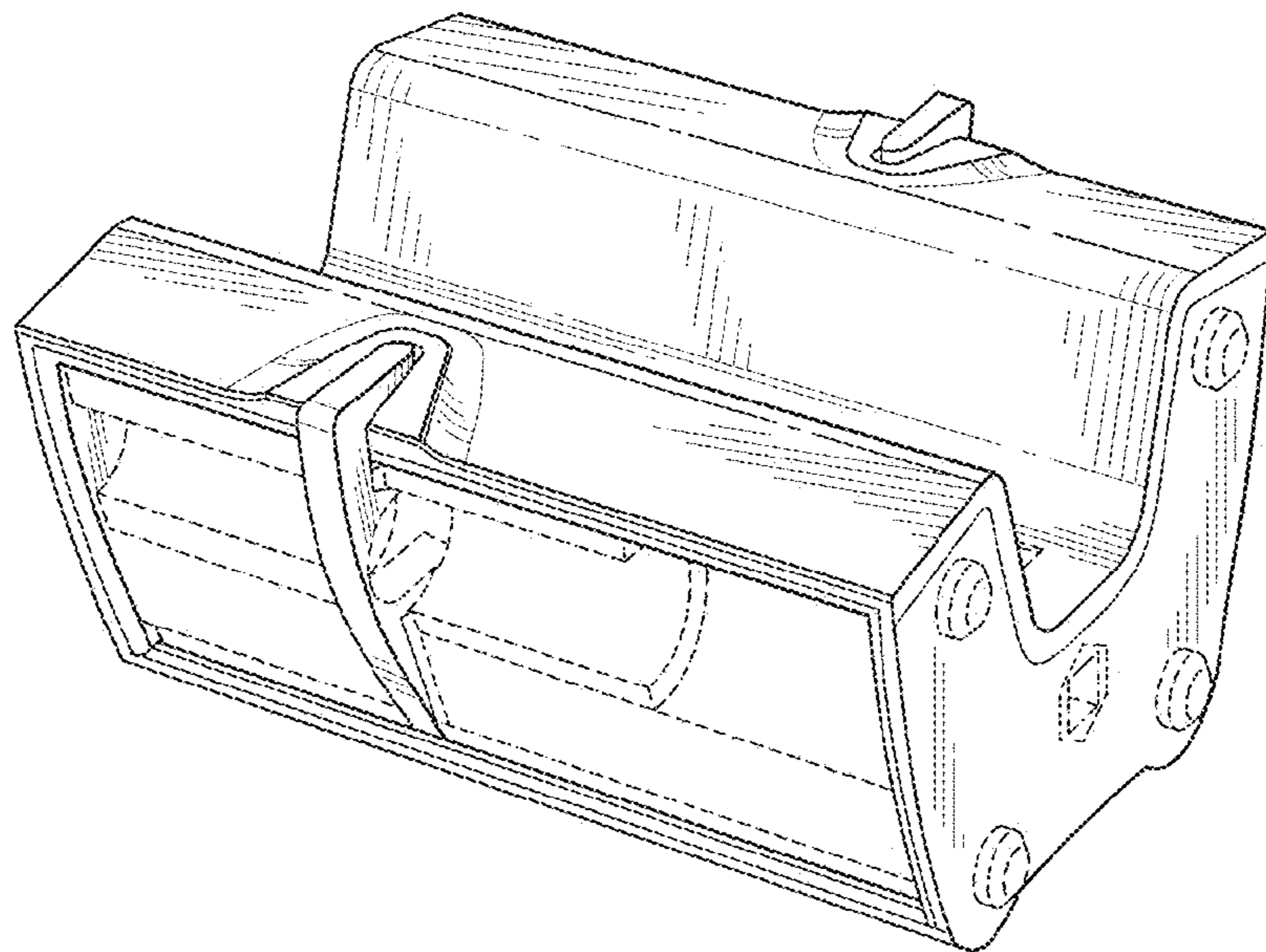


FIG. 15

FIG.16

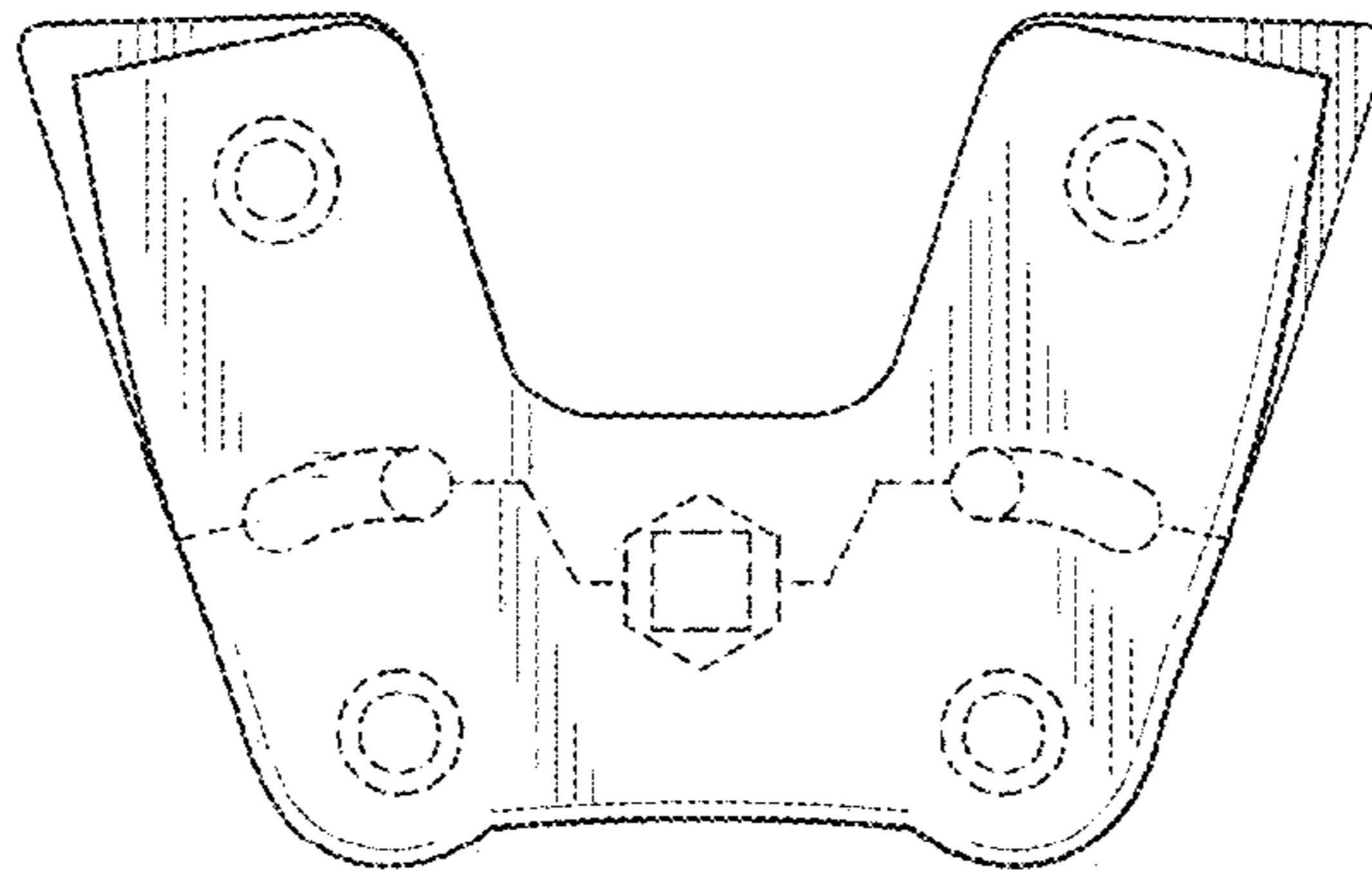


FIG.17

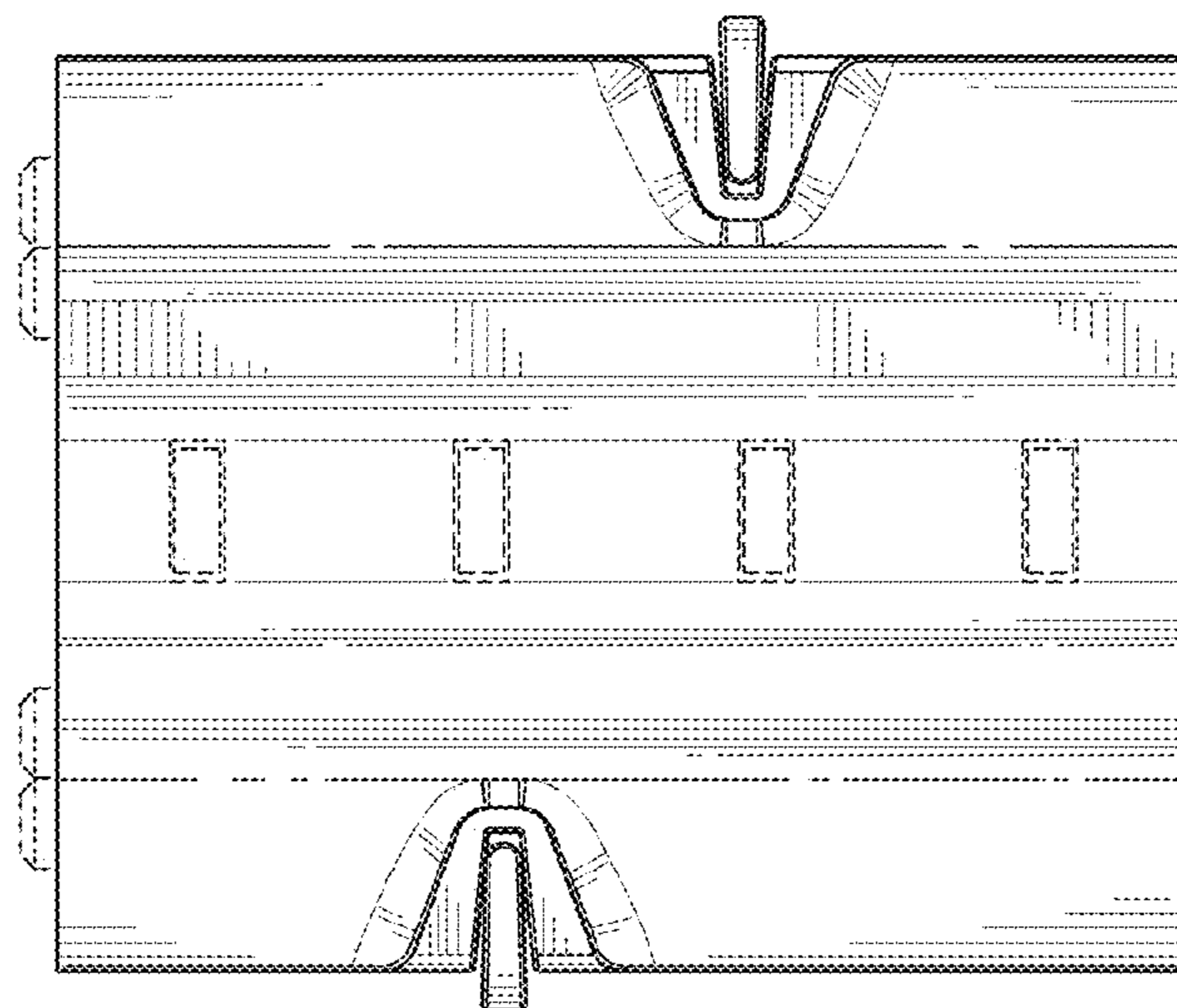
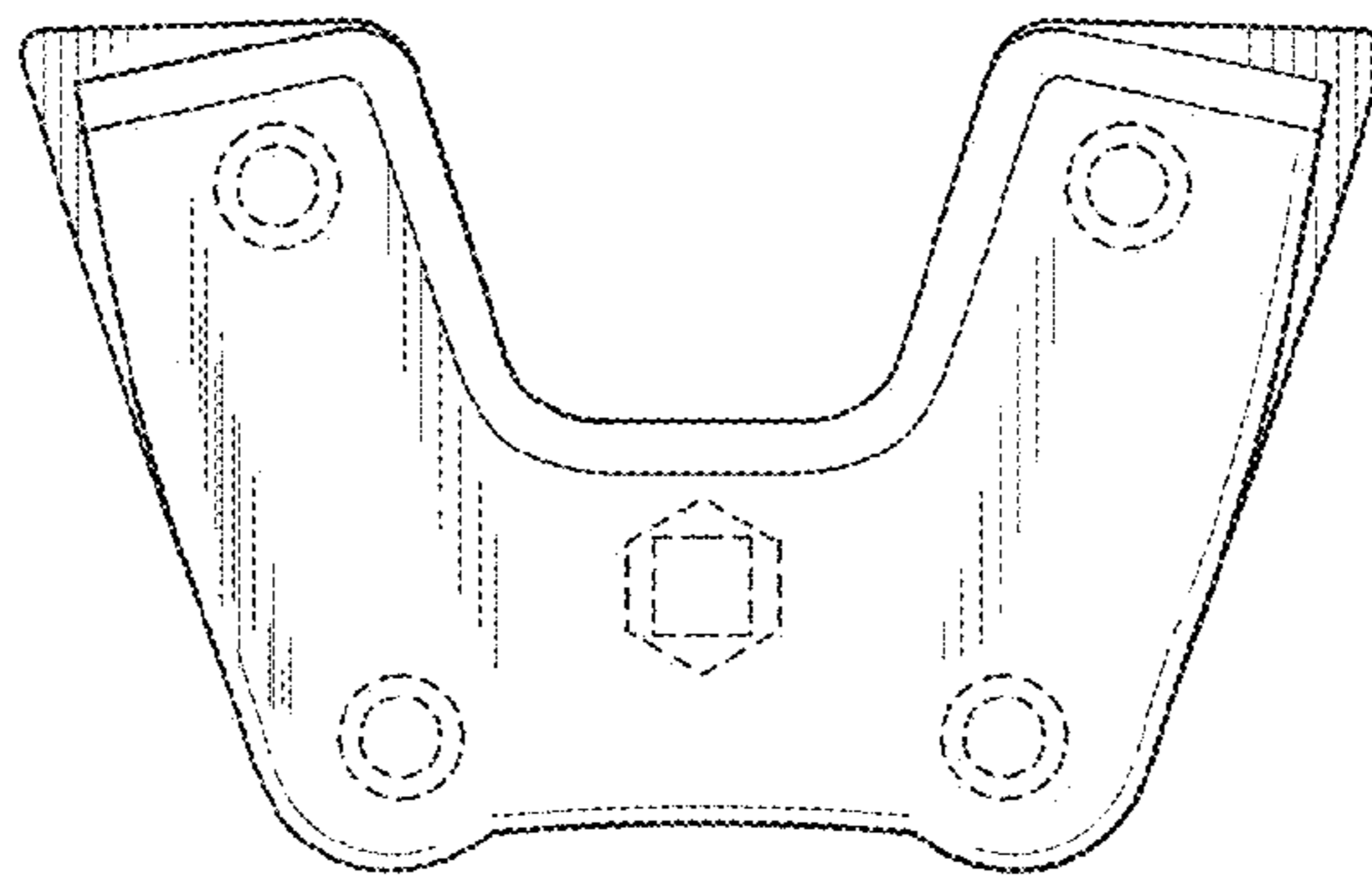


FIG.18

FIG.19

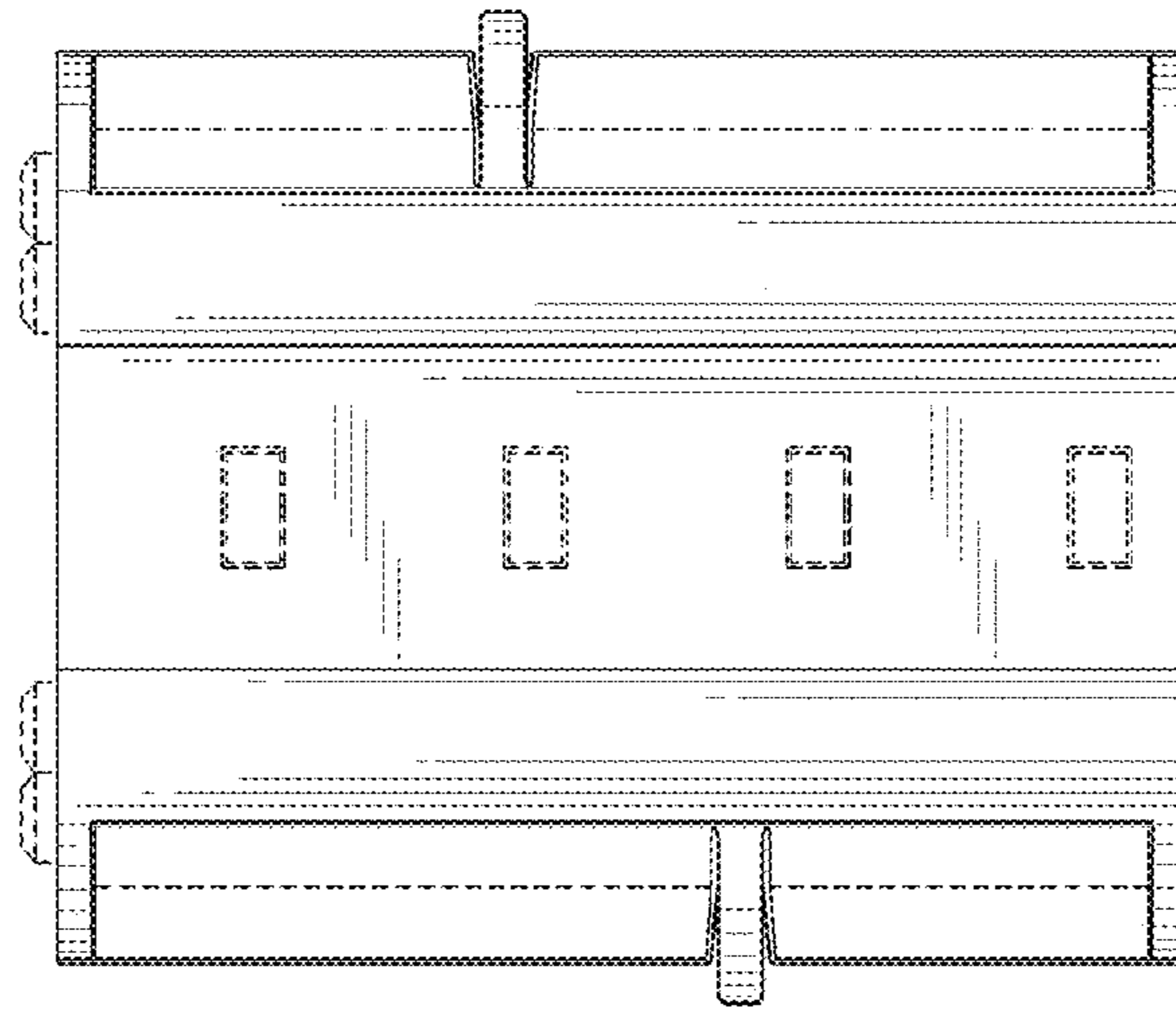


FIG.20

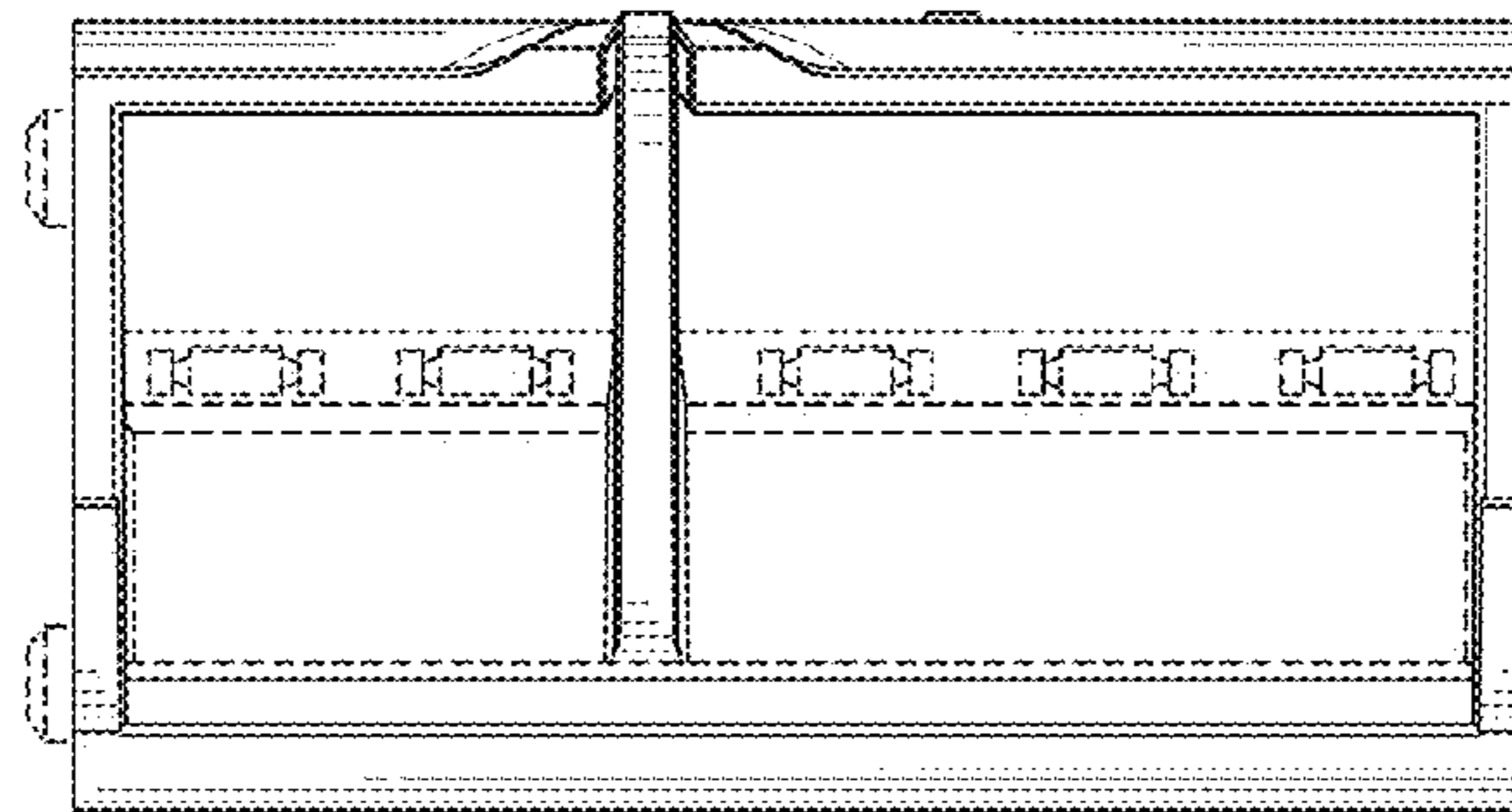
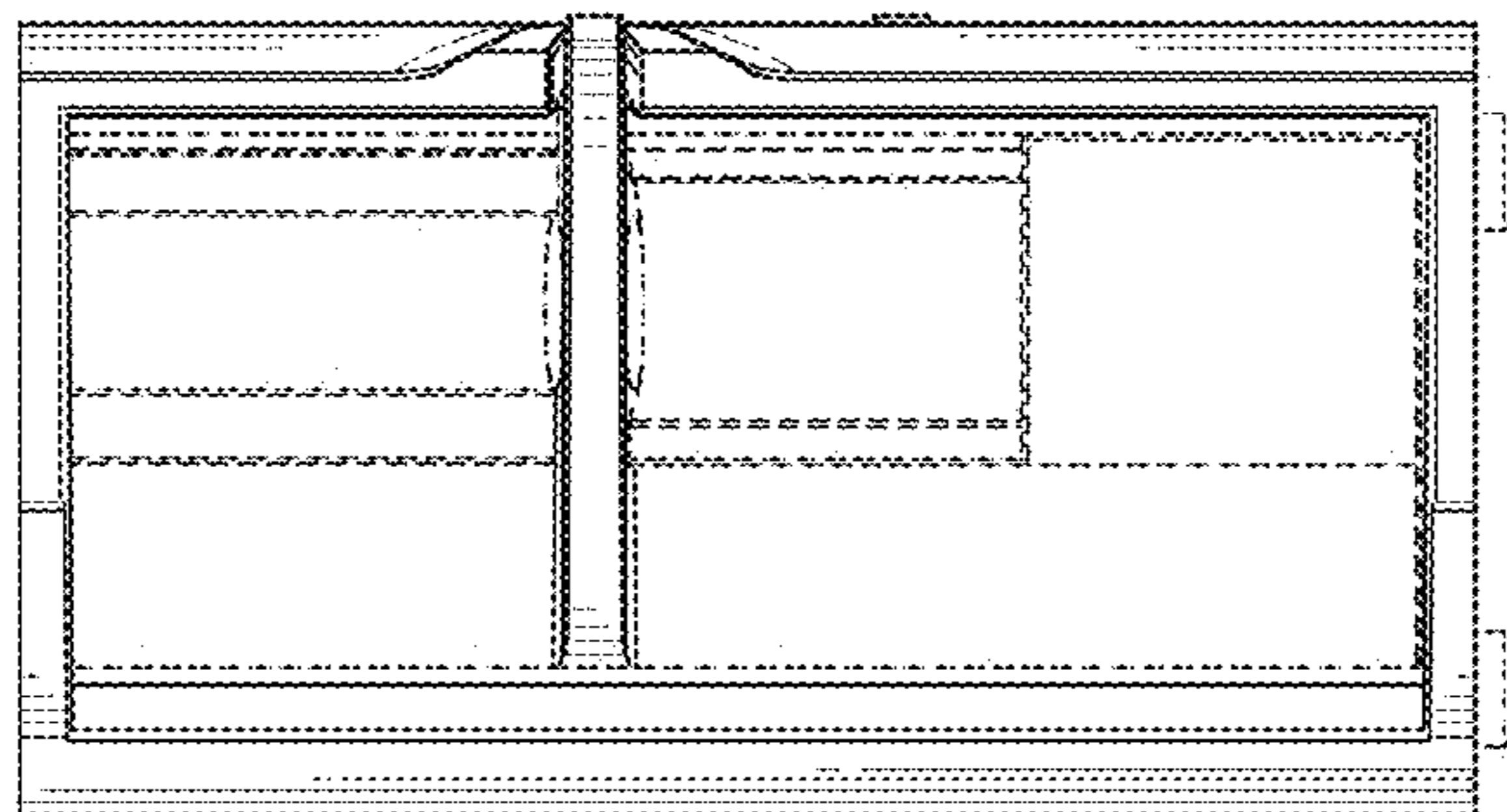


FIG.21



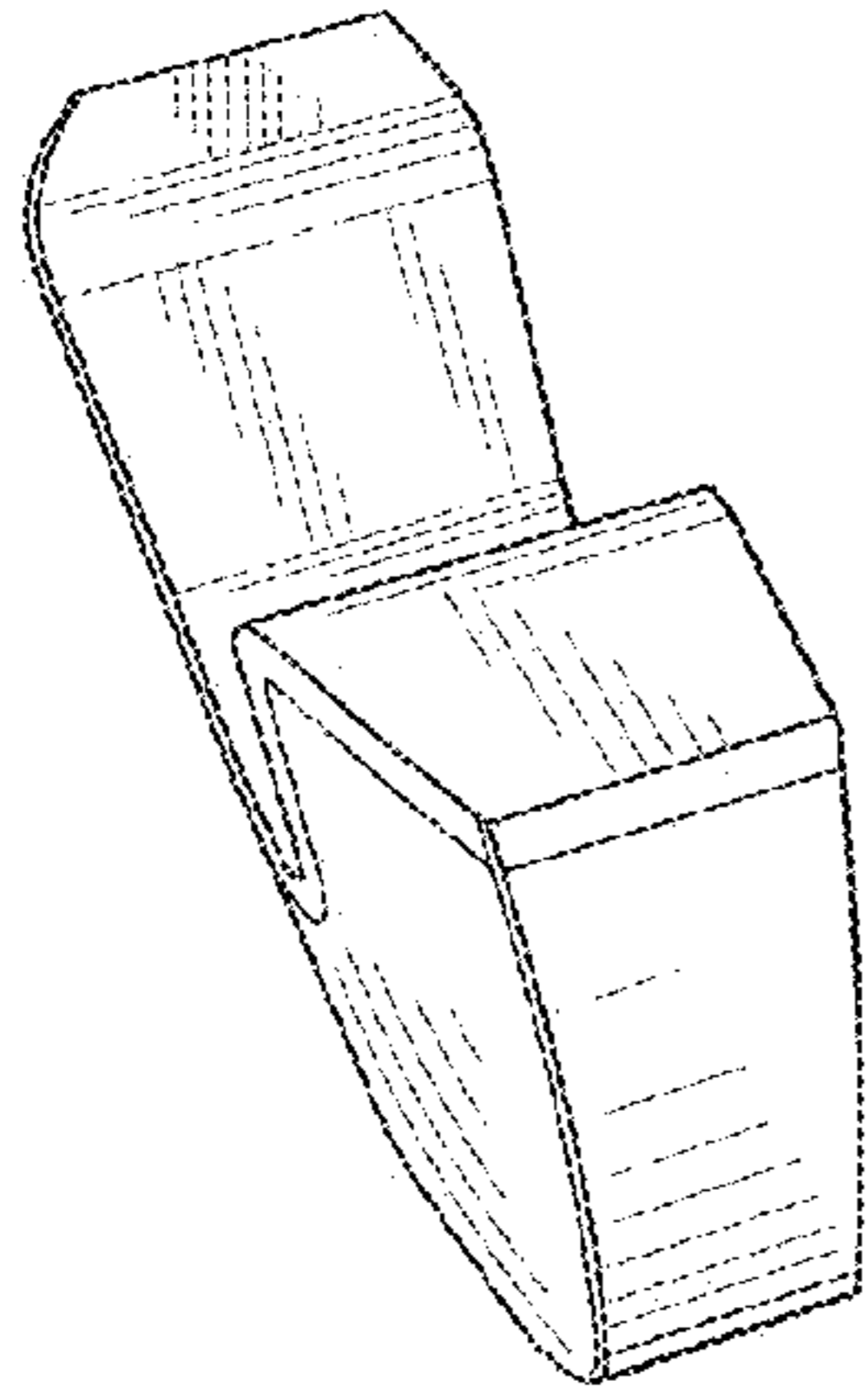


FIG. 22

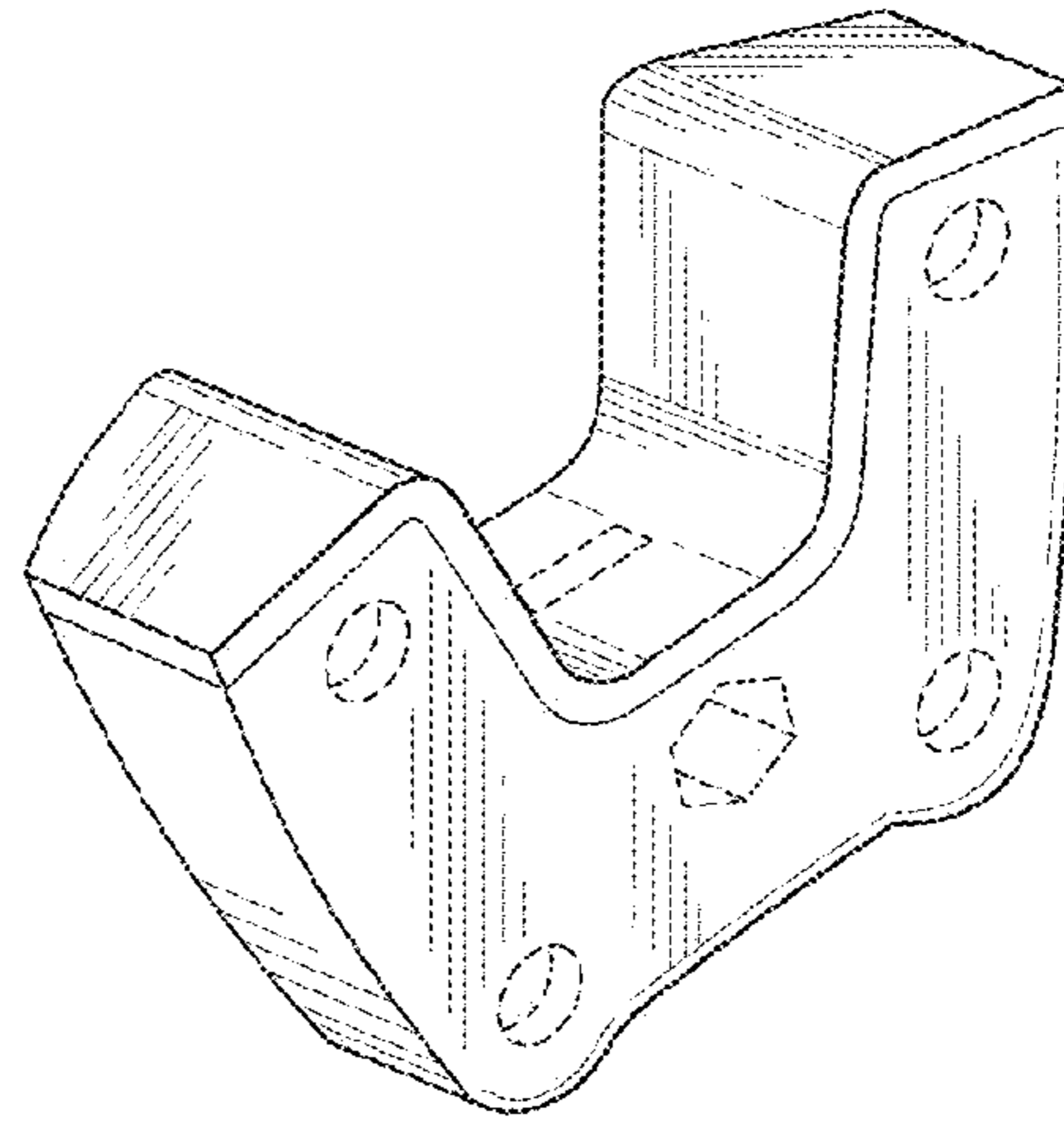


FIG. 23

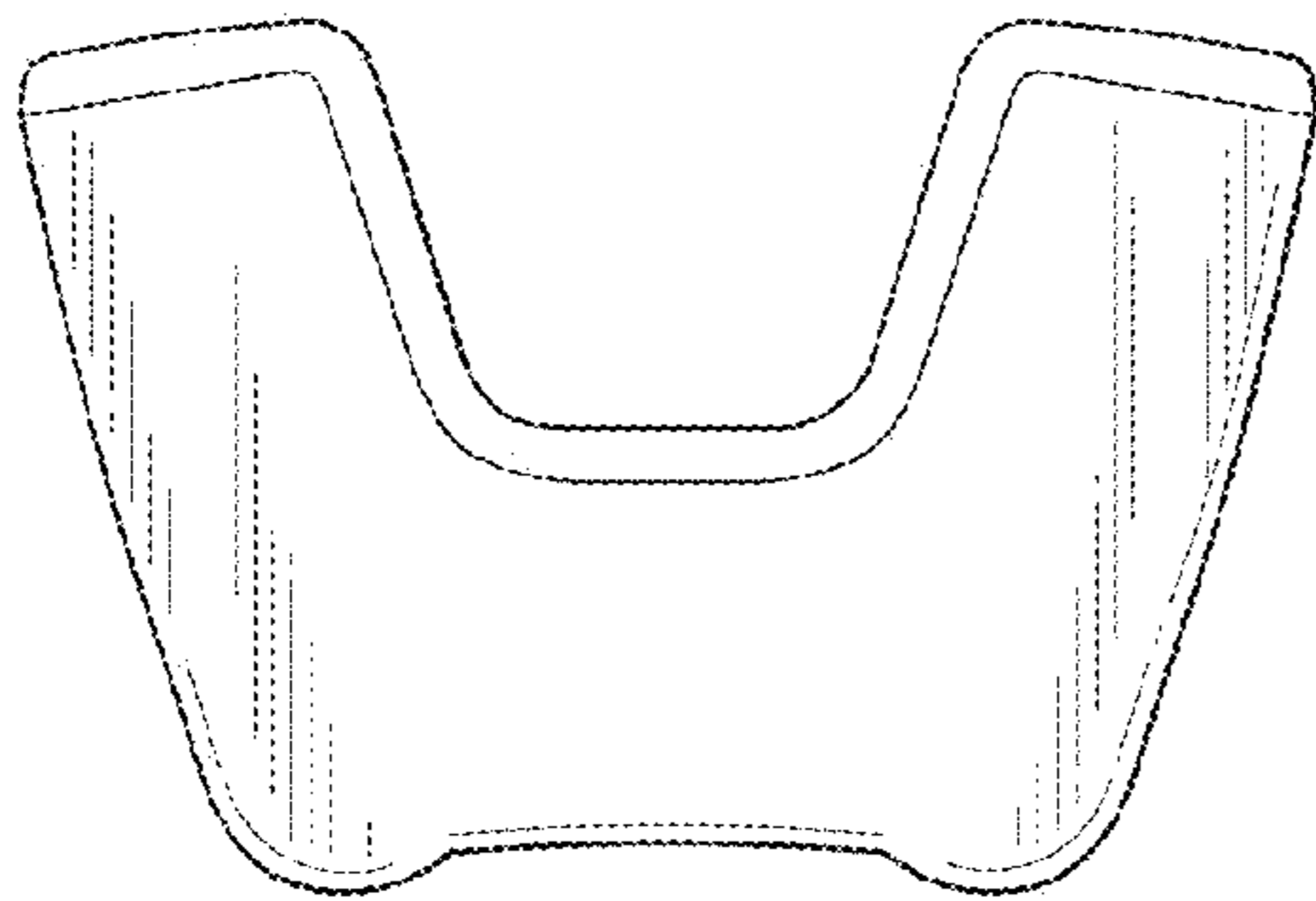


FIG. 24

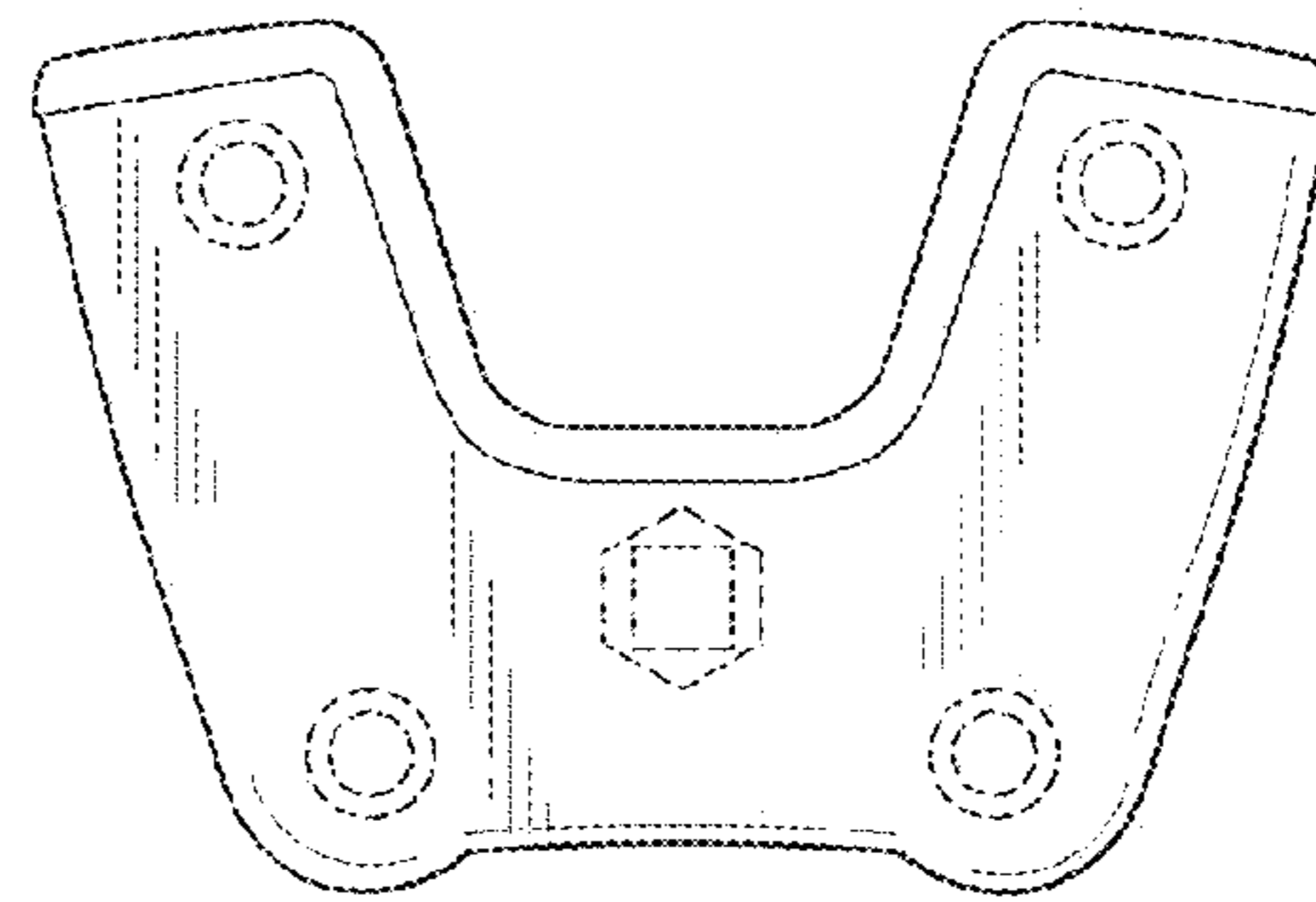


FIG. 25

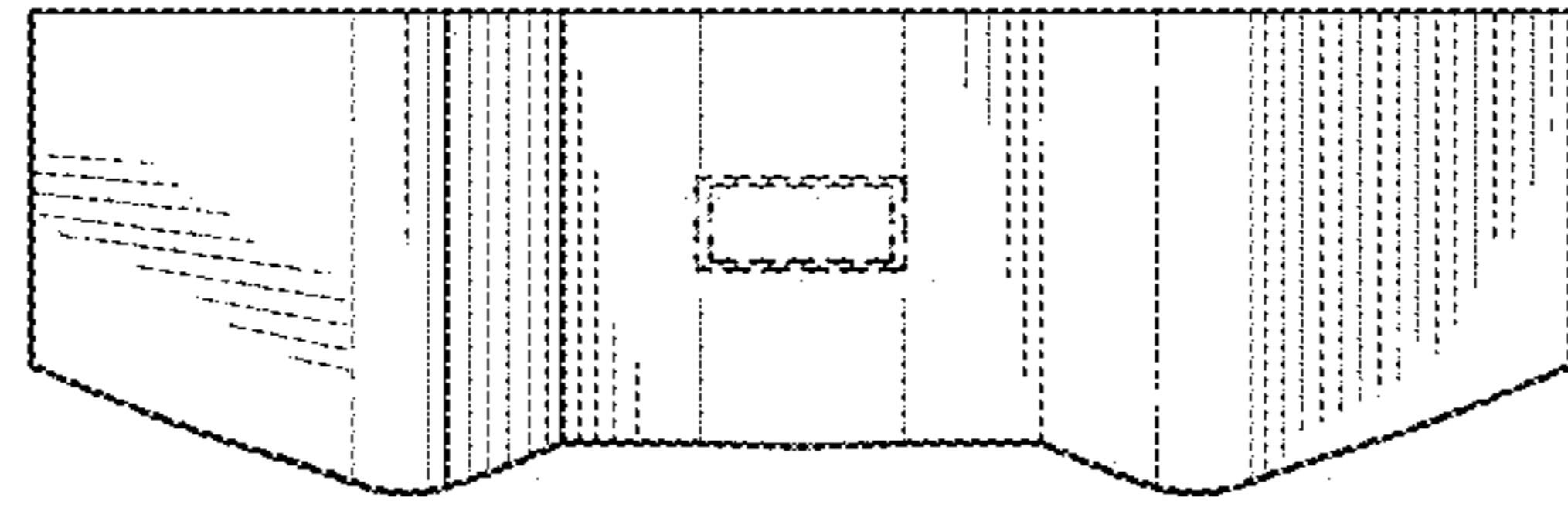


FIG. 26

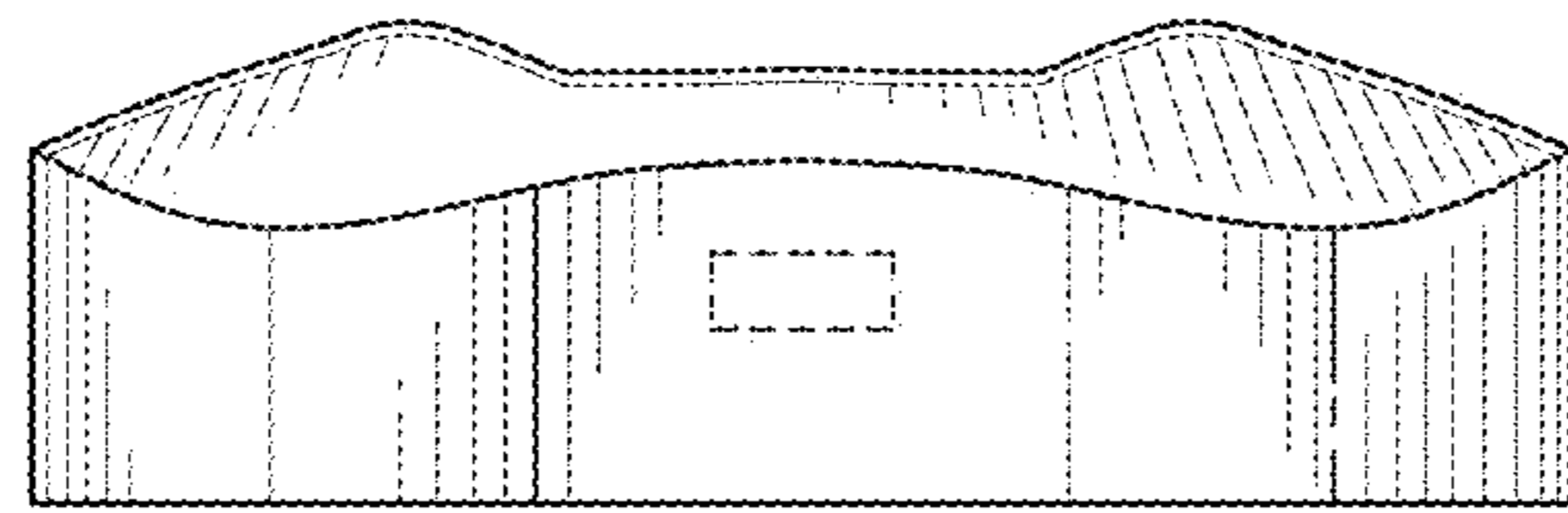


FIG. 27

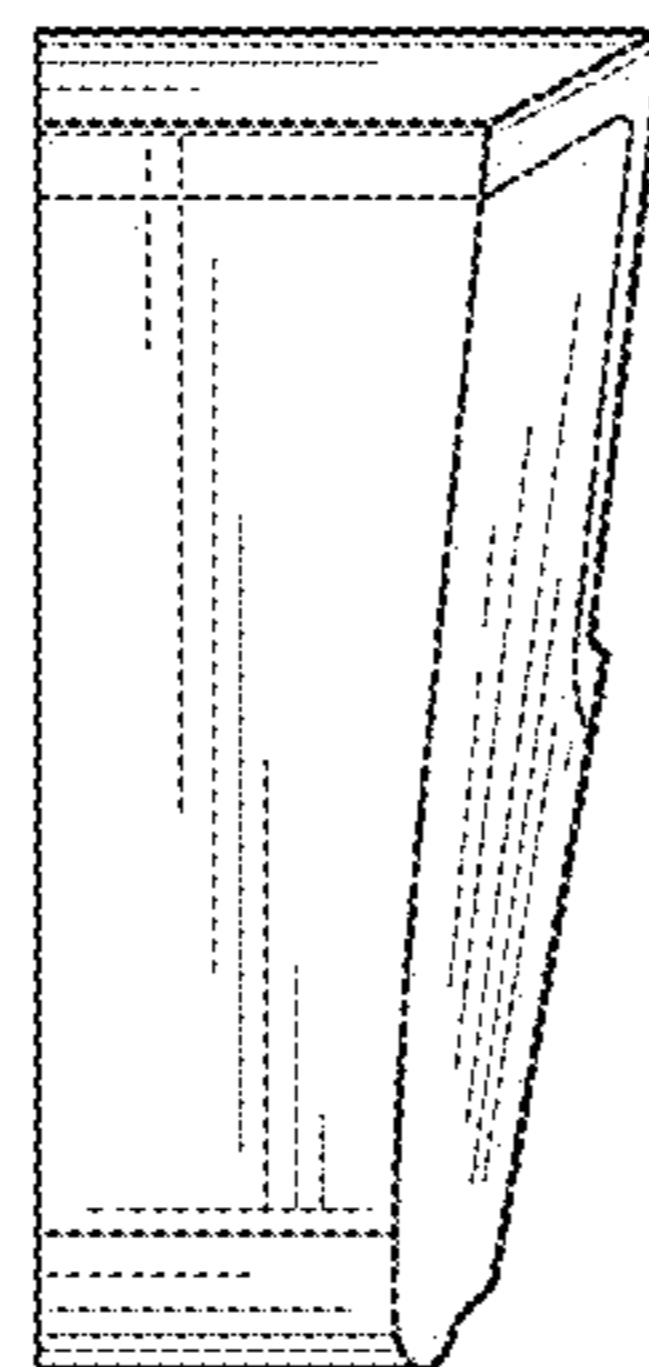


FIG. 28

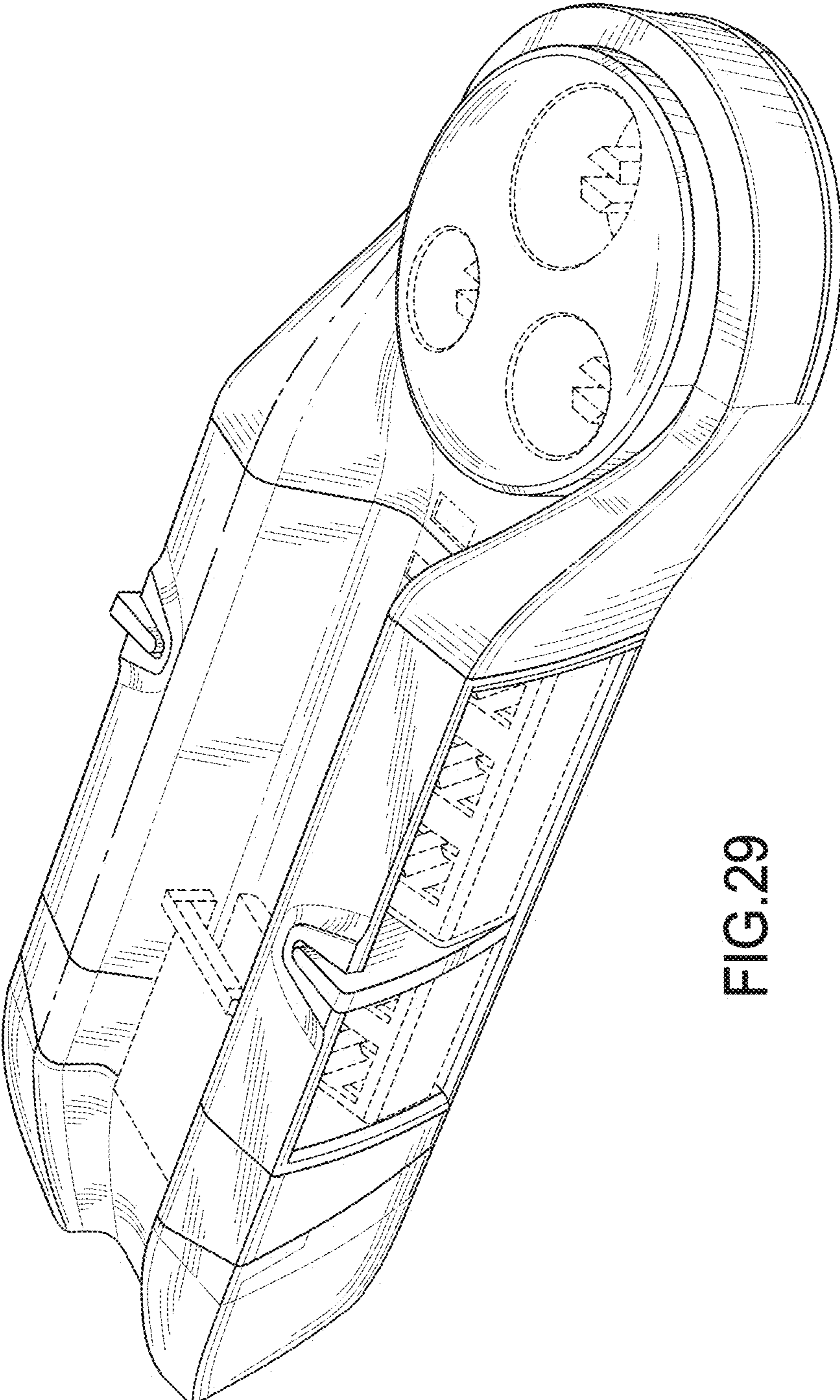


FIG.29

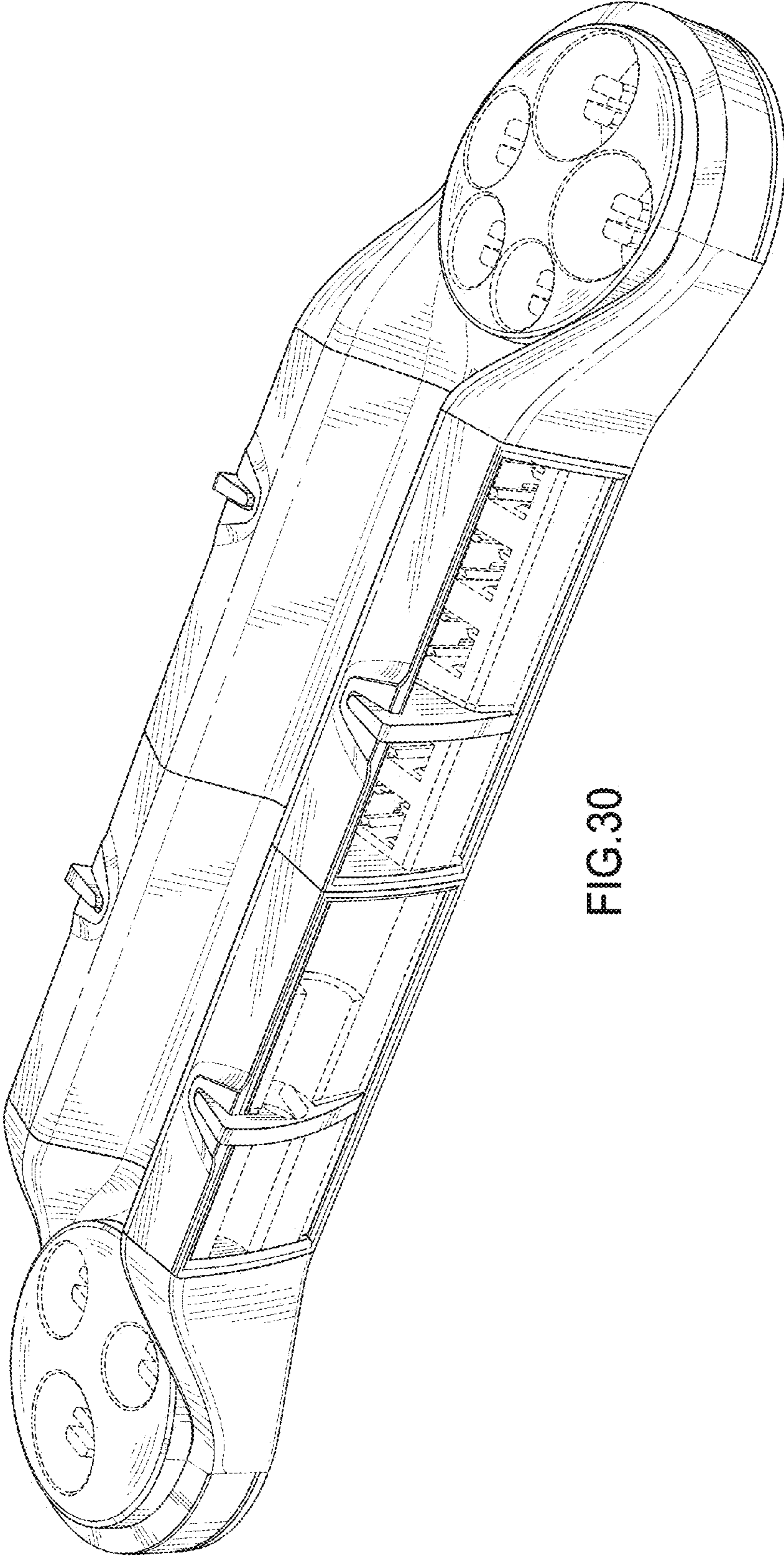


FIG.30