



US00D747079S

(12) **United States Design Patent**
Carroll et al.

(10) **Patent No.:** **US D747,079 S**
(45) **Date of Patent:** **** Jan. 12, 2016**

- (54) **CLOG WITH TWO DECORATIVE FOXING STRIPES AND TOE BUMPER**
- (75) Inventors: **Robert M. Carroll**, Lawrence, KS (US);
Joseph E. Meador, Topeka, KS (US);
David B. Grosko, Lawrence, KS (US)
- (73) Assignee: **PAYLESS SHOESOURCE**
WORLDWIDE, INC., Topeka, KS (US)
- (**) Term: **14 Years**
- (21) Appl. No.: **29/423,164**
- (22) Filed: **May 29, 2012**
- (51) **LOC (10) Cl.** **02-04**
- (52) **U.S. Cl.**
USPC **D2/923**
- (58) **Field of Classification Search**
USPC D2/896, 900, 918, 923, 946, 976, 977;
36/4, 78, 11.5
CPC A43B 15/00
See application file for complete search history.

- D571,551 S * 6/2008 McCarthy et al. D2/977
- D575,480 S 8/2008 Zimmerman
- D578,743 S 10/2008 Liow
- D578,744 S * 10/2008 Earle D2/946
- D579,182 S 10/2008 Kiavano
- D579,651 S * 11/2008 Hearn D2/972
- D610,784 S 3/2010 Del Biondi
- D613,485 S 4/2010 Meador
- D624,291 S * 9/2010 Henderson D2/946
- D624,733 S 10/2010 O'Boyle et al.
- D641,964 S * 7/2011 Schwartz et al. D2/969
- D645,235 S 9/2011 Carroll et al.
- D650,157 S * 12/2011 Liow D2/923
- D650,975 S * 12/2011 Menghi D2/939

* cited by examiner

Primary Examiner — Ian Simmons
Assistant Examiner — Rashida C McCoy
(74) *Attorney, Agent, or Firm* — Proskauer Rose LLP

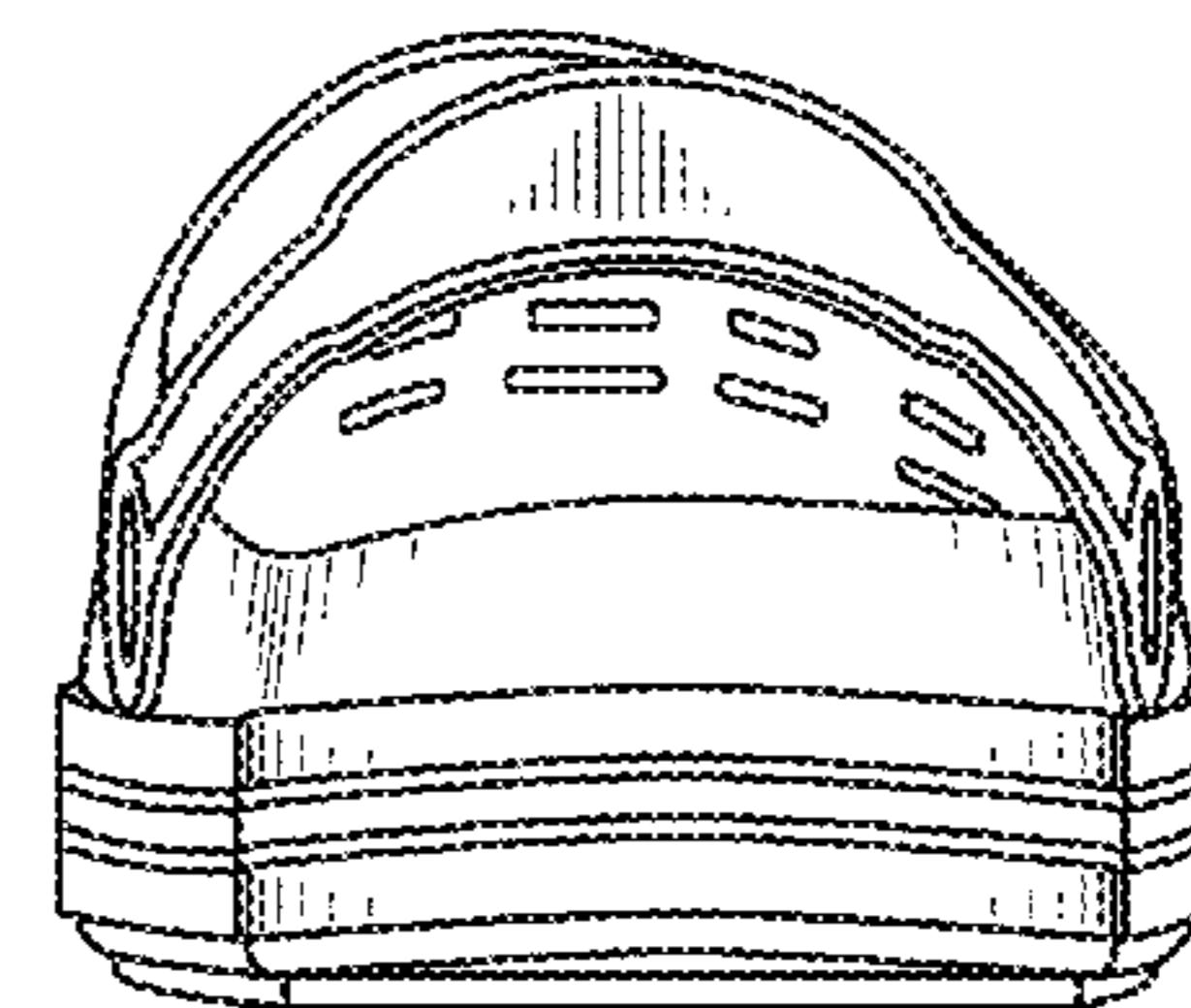
(57) **CLAIM**
The ornamental design for a clog with two decorative foxing stripes and toe bumper, as shown and described.

DESCRIPTION

FIG. 1 is a right perspective view of a clog with two decorative foxing stripes and toe bumper, showing our new design.
FIG. 2 is a top plan view thereof.
FIG. 3 is a right side elevation view thereof.
FIG. 4 is bottom plan view thereof.
FIG. 5 is left side elevation view thereof.
FIG. 6 is a front elevation view thereof.
FIG. 7 is a rear elevation view thereof.
FIG. 8 is a right perspective view of another embodiment of a clog with two decorative stripes and toe bumper, showing our new design.
FIG. 9 is a top plan view thereof.
FIG. 10 is a right side elevation view thereof.
FIG. 11 is a bottom plan view thereof.
FIG. 12 is a left side elevation view thereof.
FIG. 13 is a front elevation view thereof; and,
FIG. 14 is a rear elevation view thereof.

1 Claim, 6 Drawing Sheets

- (56) **References Cited**
U.S. PATENT DOCUMENTS
- 641,877 A * 1/1900 Merriam 36/78
- 1,169,085 A 1/1916 Davis
- D83,027 S * 1/1931 Arnold D2/977
- D200,846 S * 4/1965 Bovay D2/908
- D247,073 S * 1/1978 Kane et al. D2/926
- D350,223 S * 9/1994 Buckner D2/916
- D377,264 S * 1/1997 Wunsch D2/977
- D377,561 S * 1/1997 McClelland D2/977
- D518,284 S * 4/2006 Chen D2/977
- D529,263 S 10/2006 Wolf
- D545,032 S 6/2007 Wolf
- D545,033 S 6/2007 Wolf
- D567,483 S 4/2008 Liow
- D569,093 S * 5/2008 Morgan et al. D2/977
- D569,094 S * 5/2008 Morgan et al. D2/977



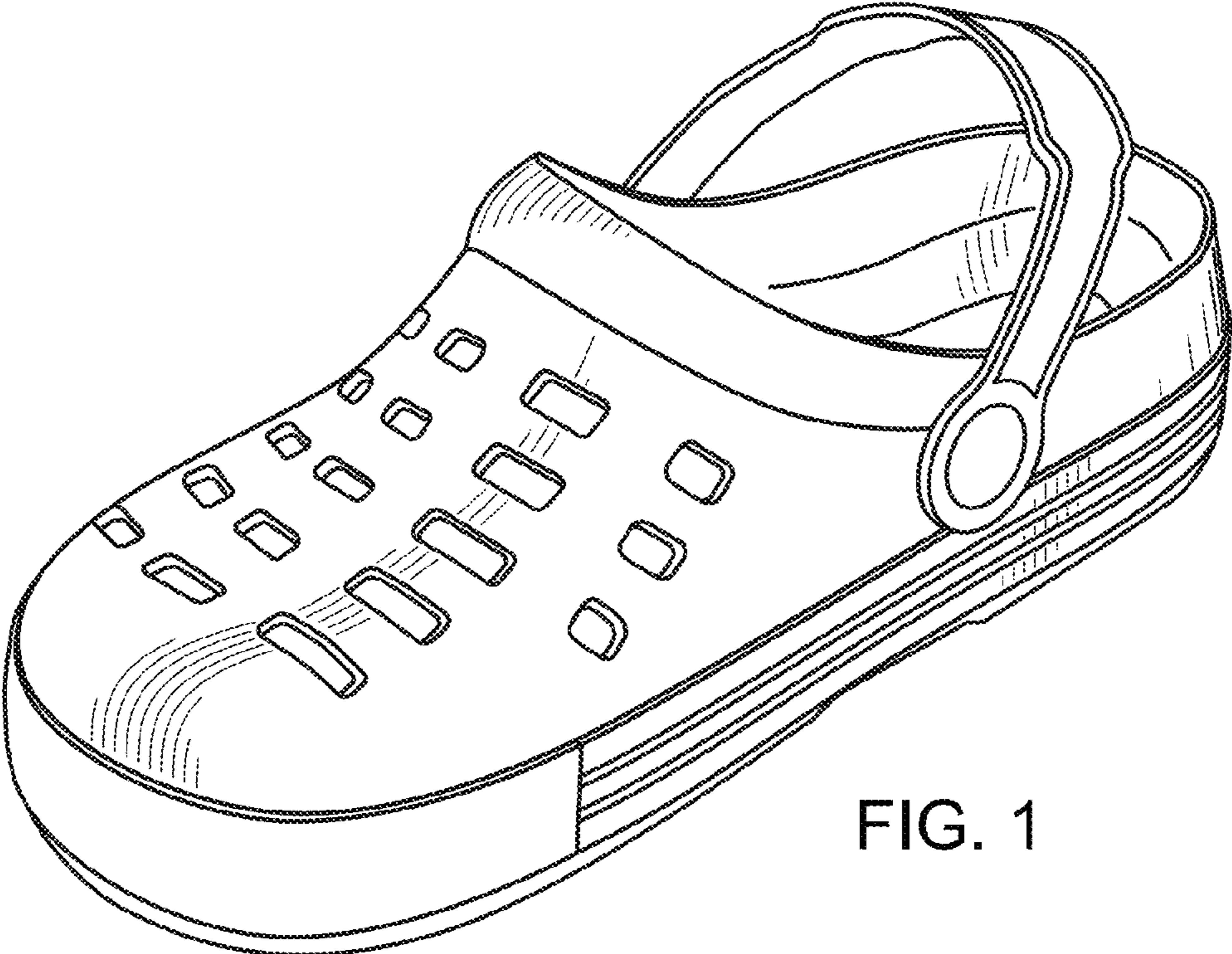


FIG. 1

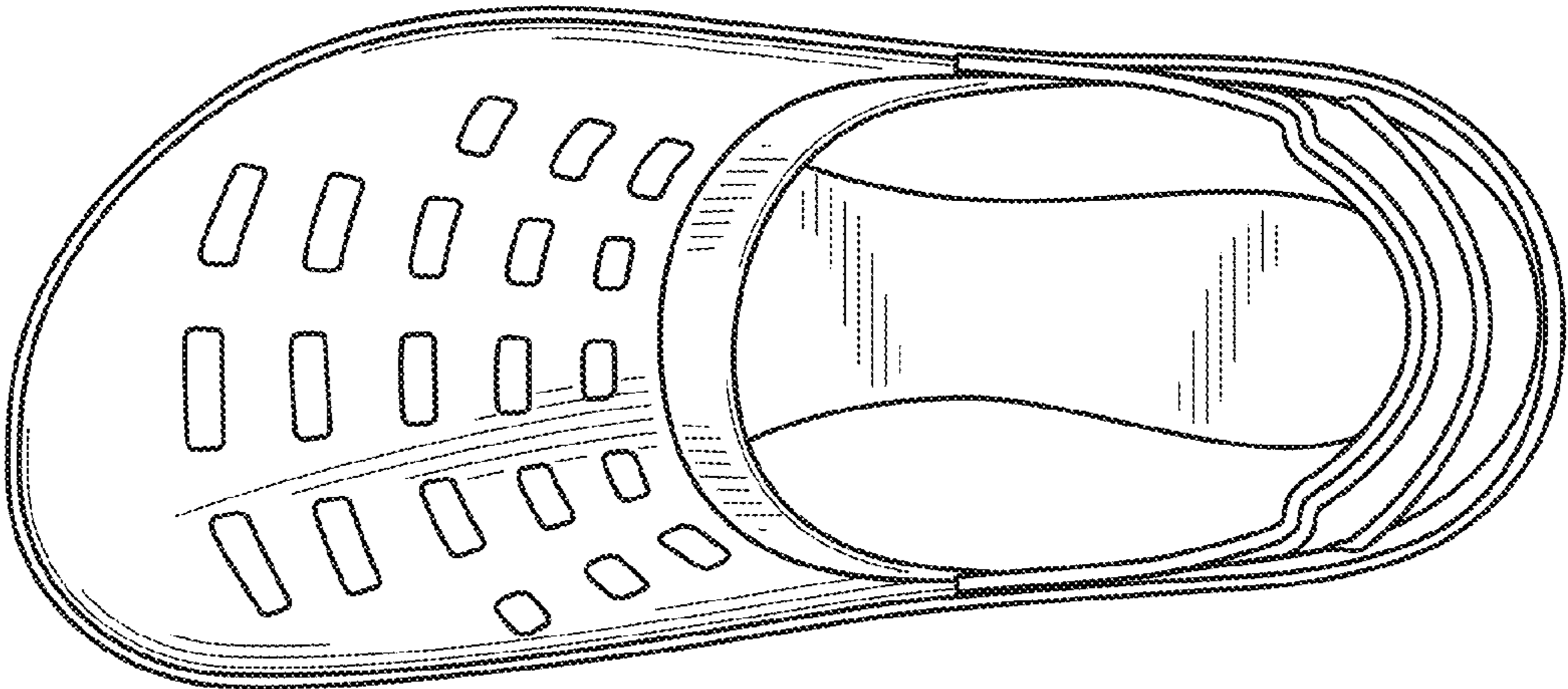


FIG. 2

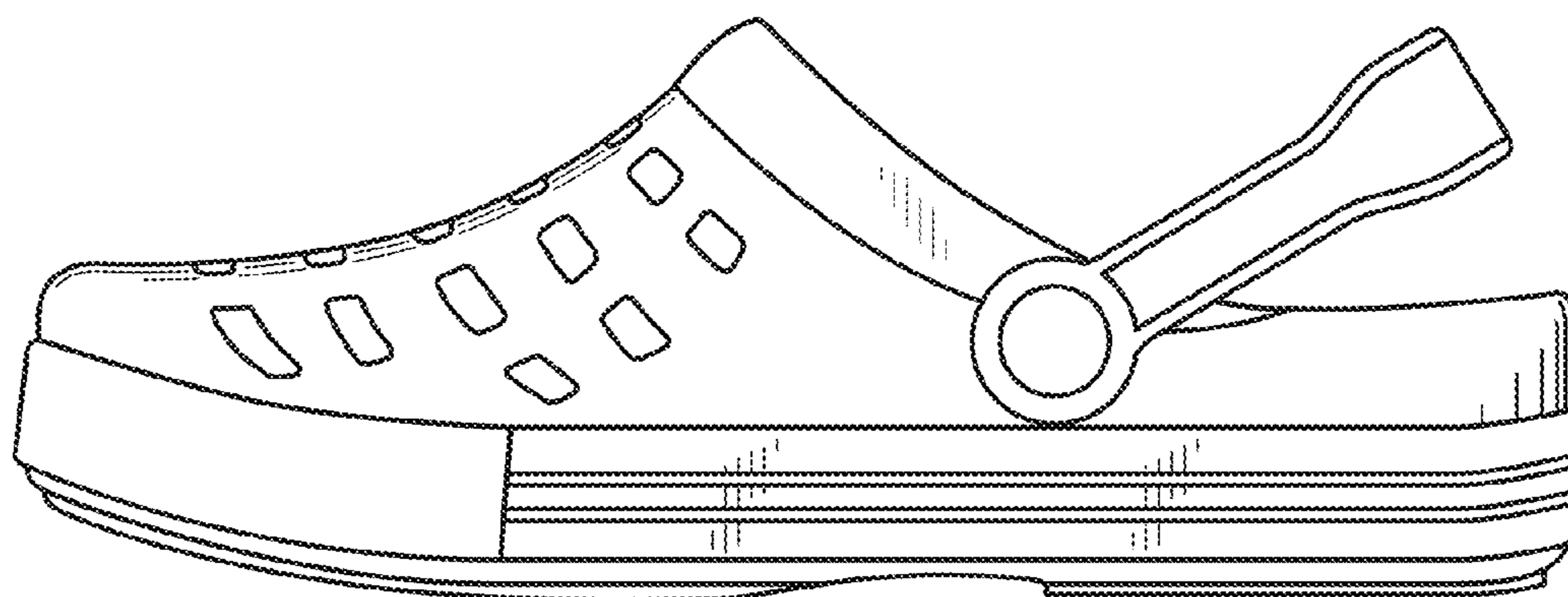


FIG. 3

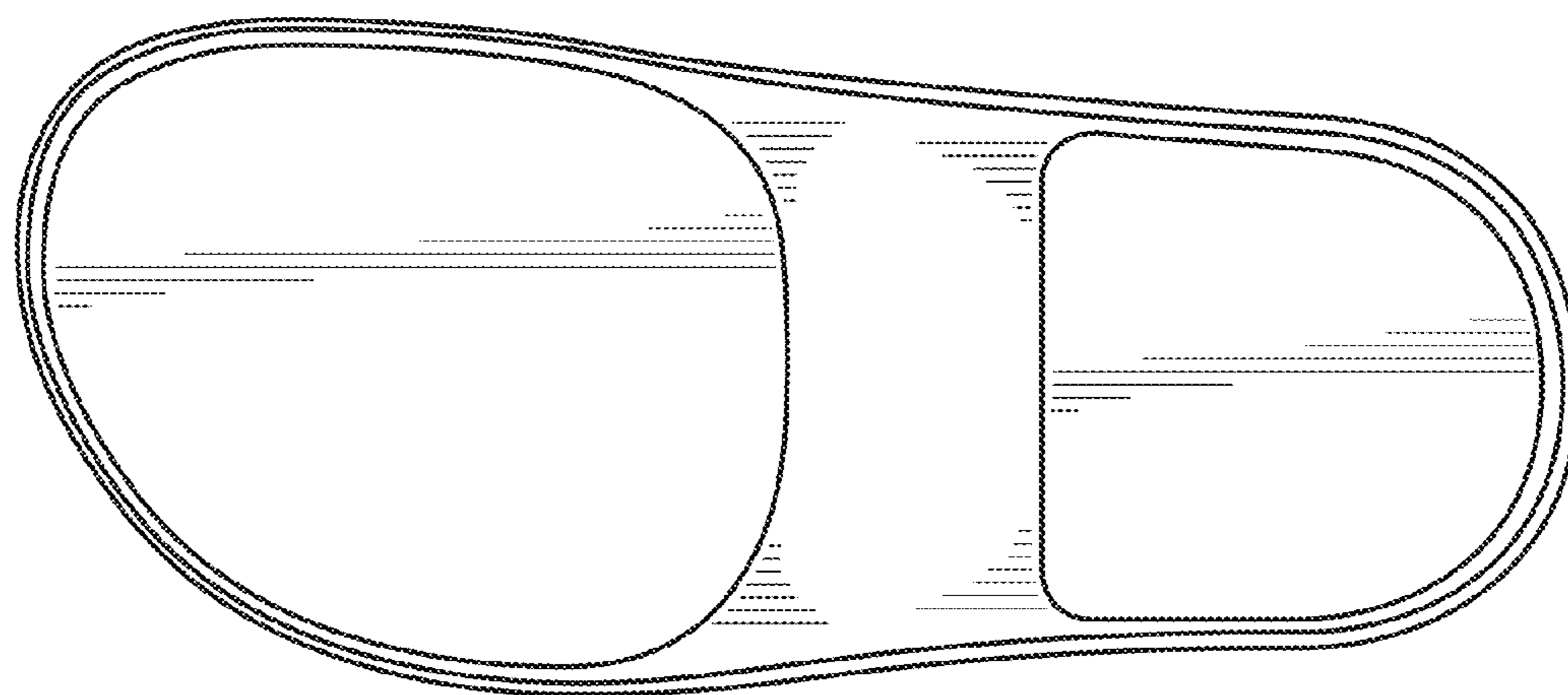


FIG. 4

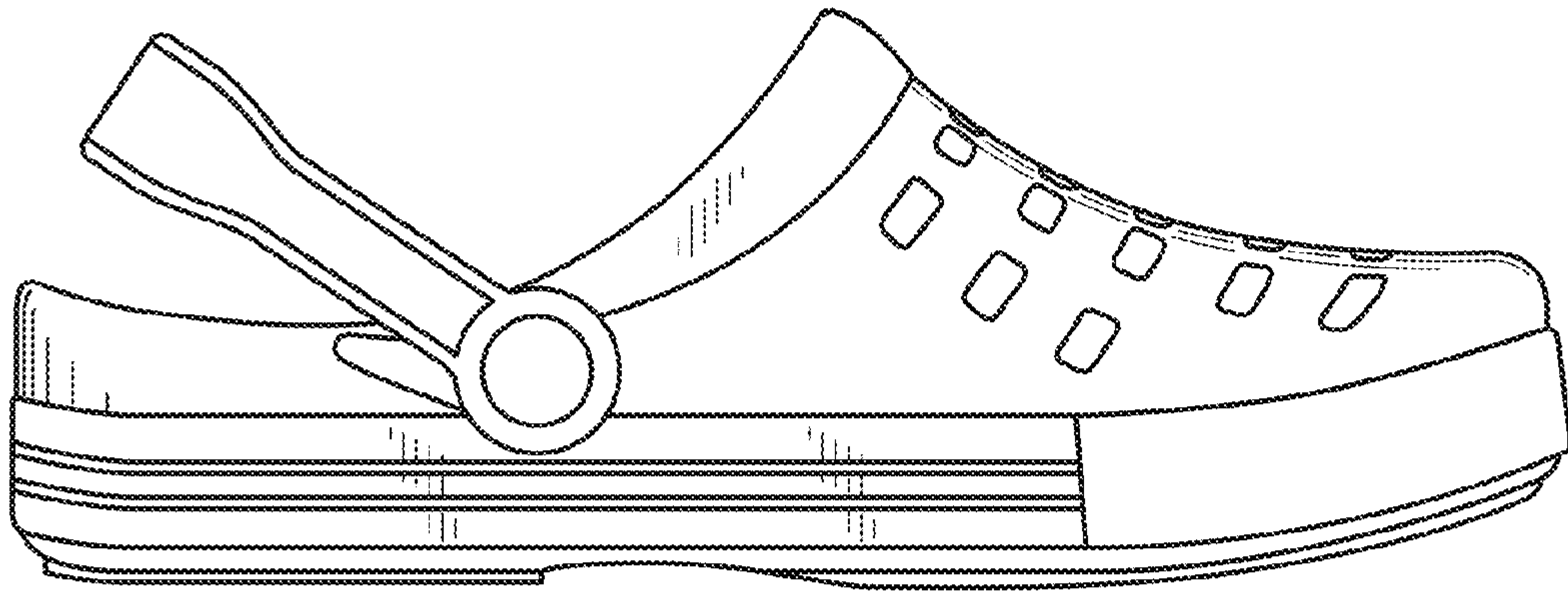


FIG. 5

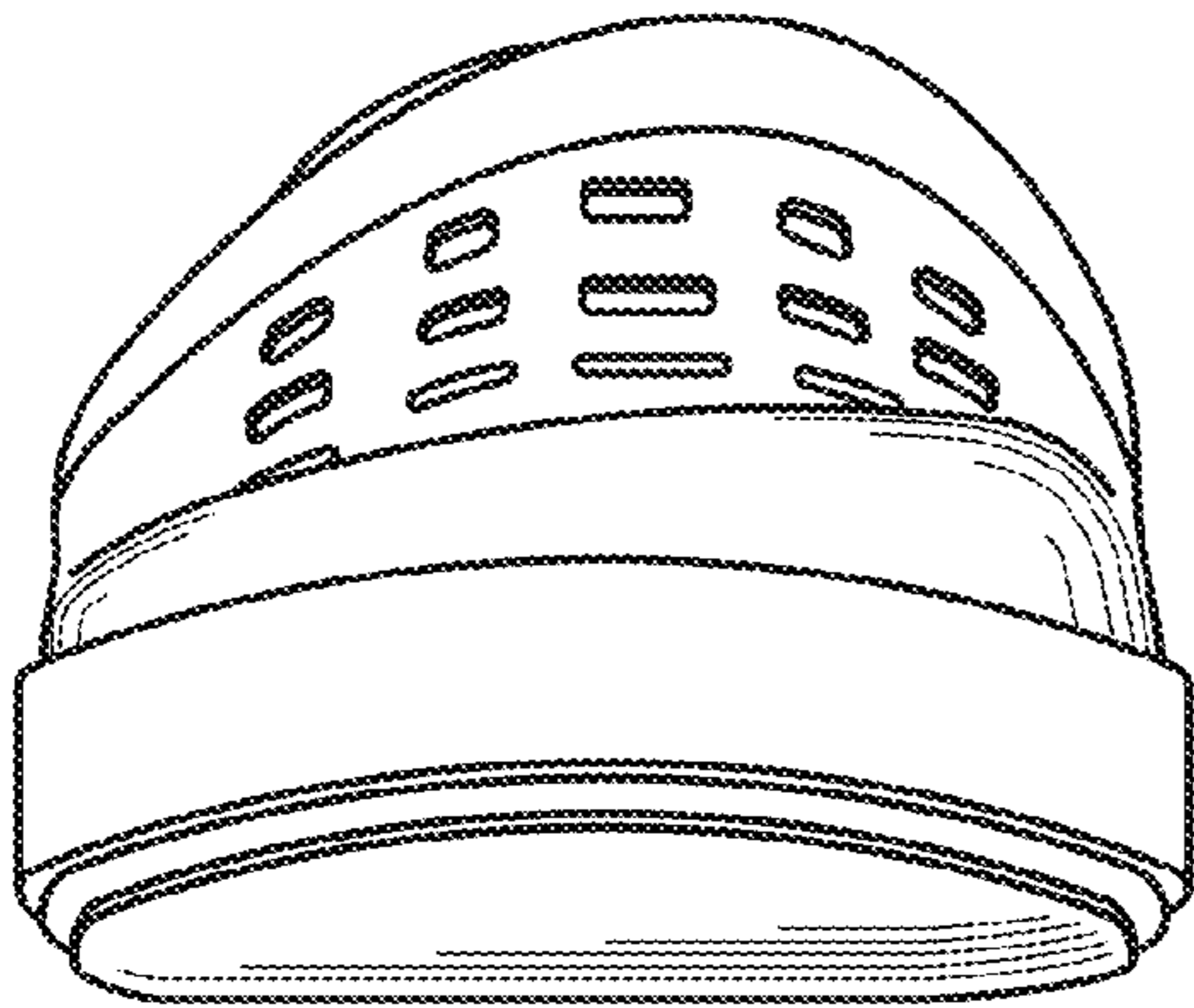


FIG. 6

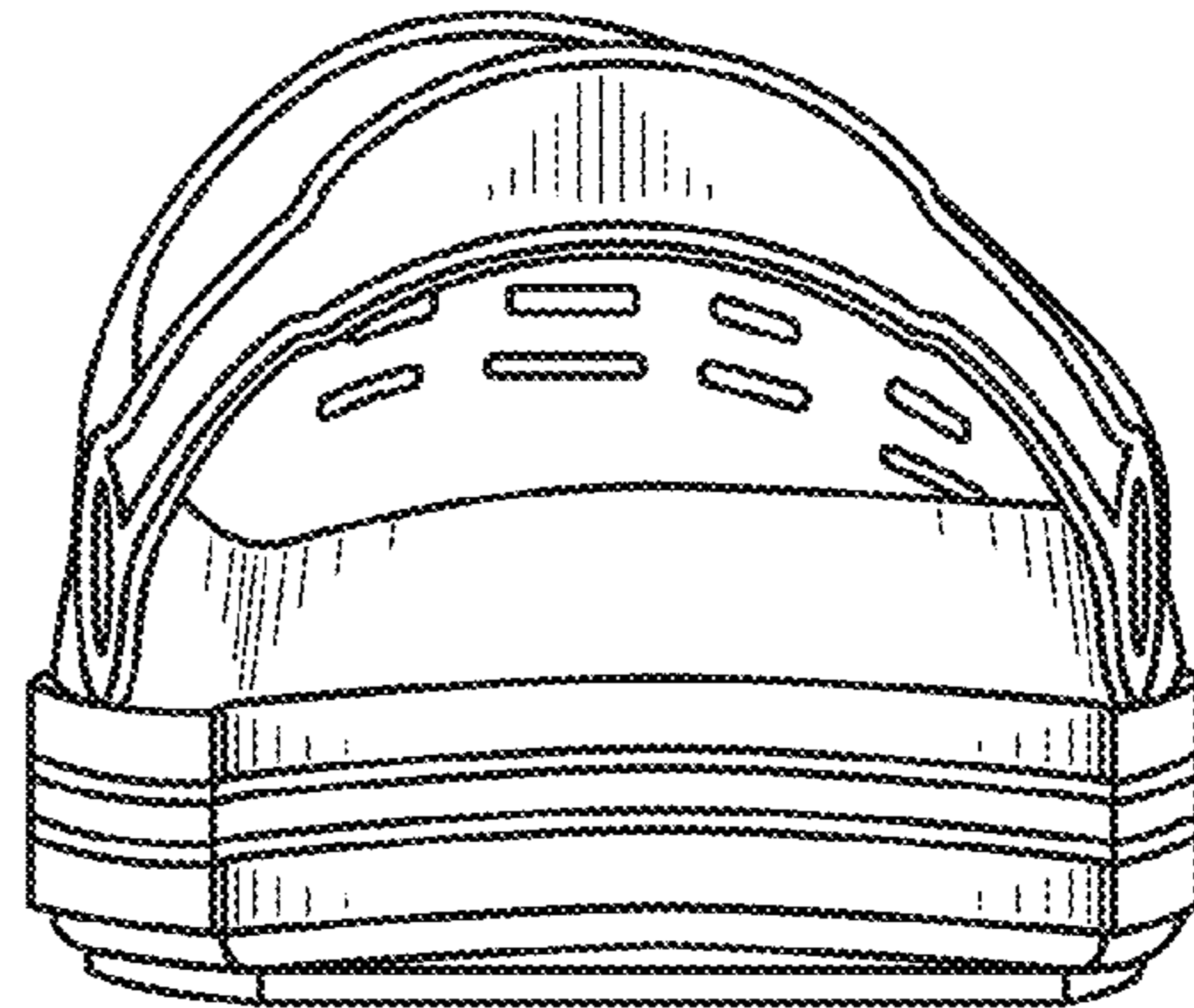


FIG. 7

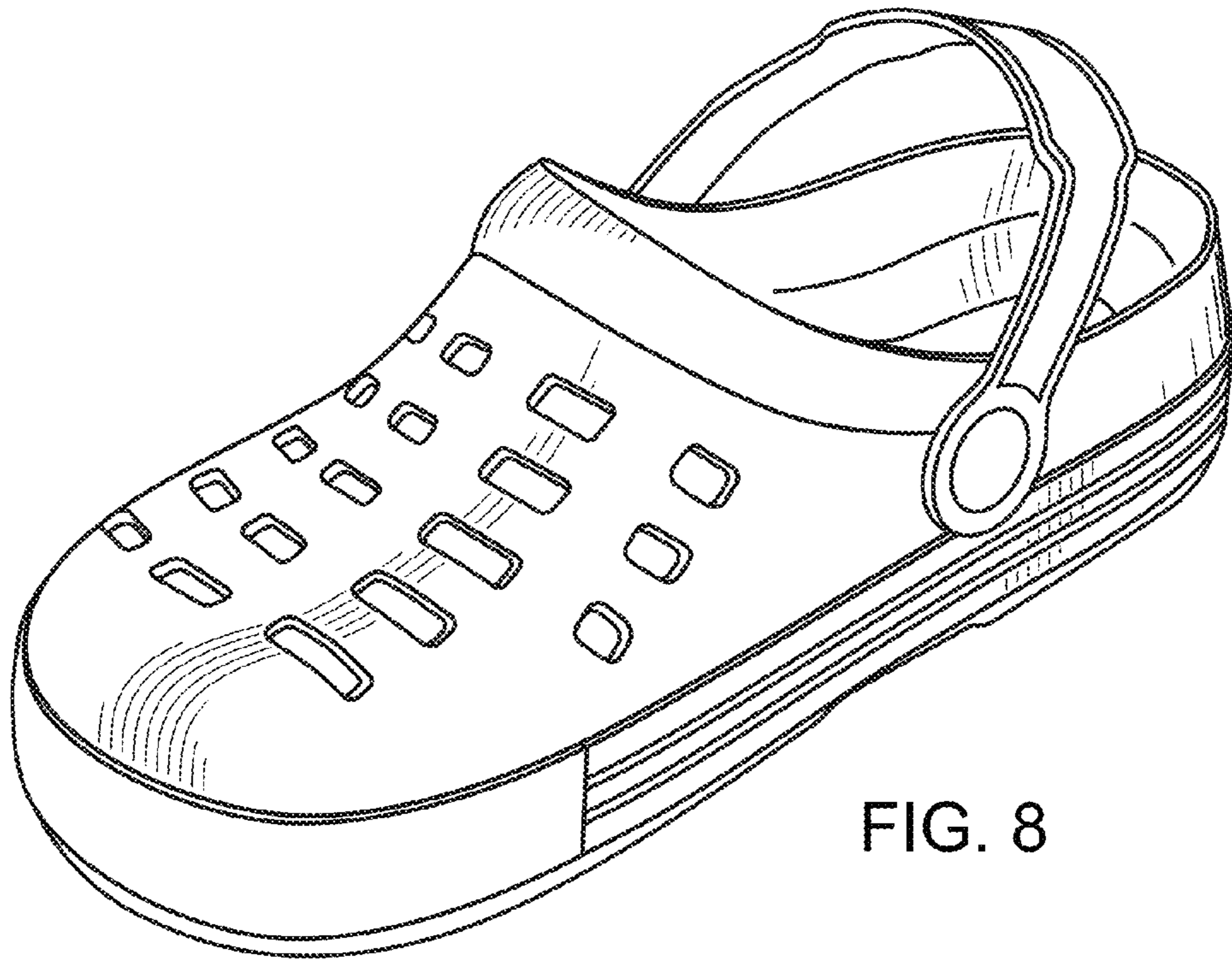


FIG. 8

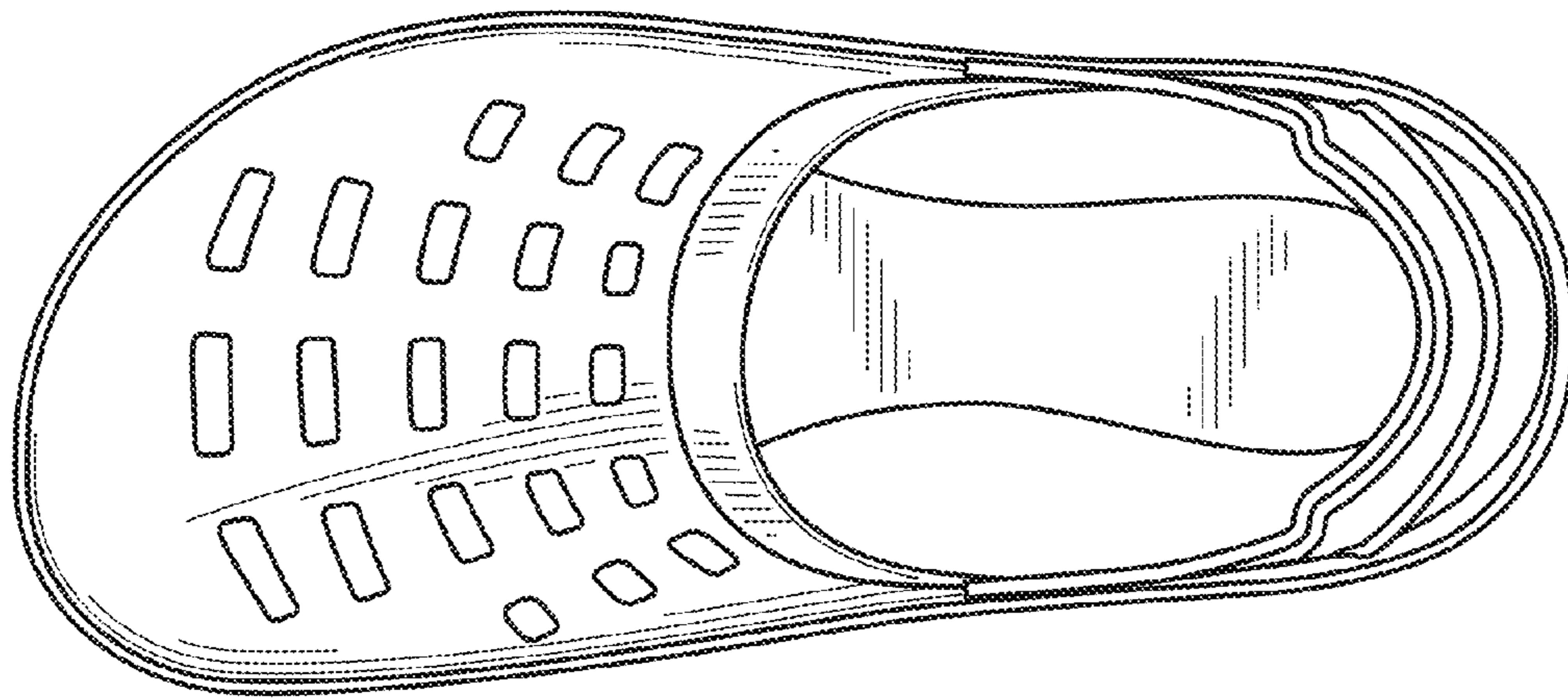


FIG. 9

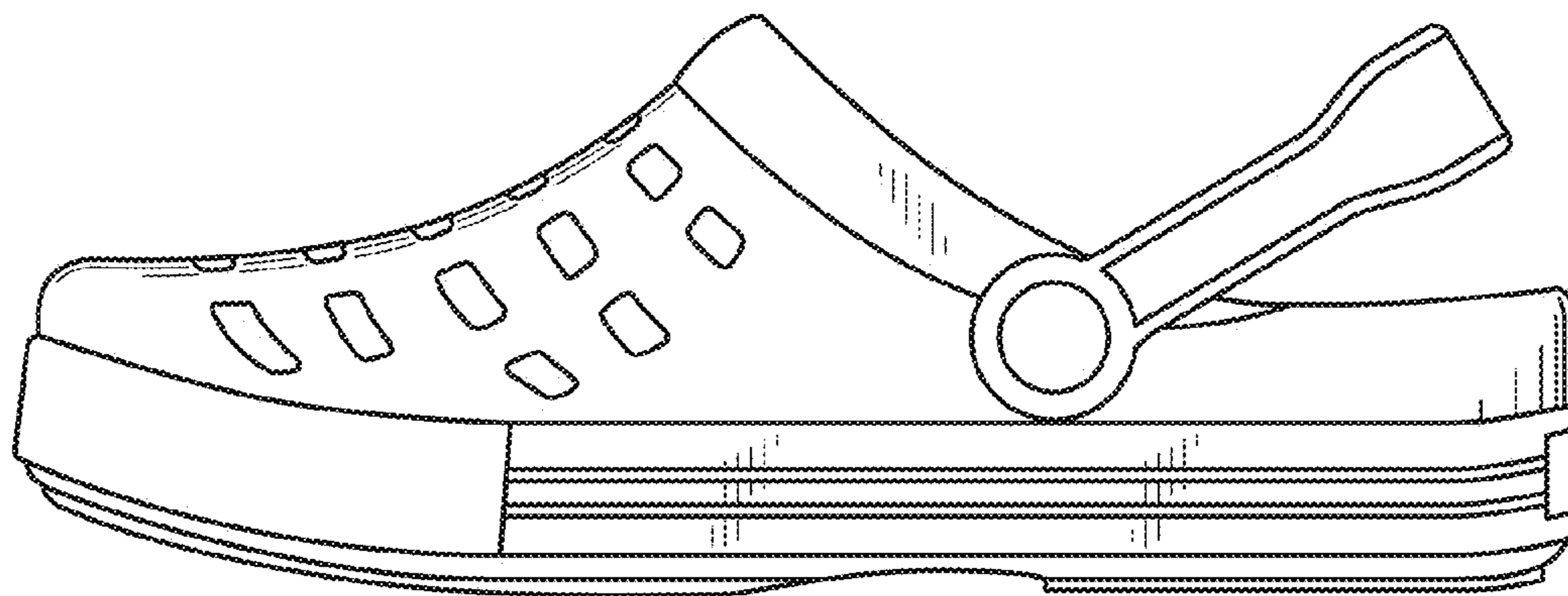


FIG. 10

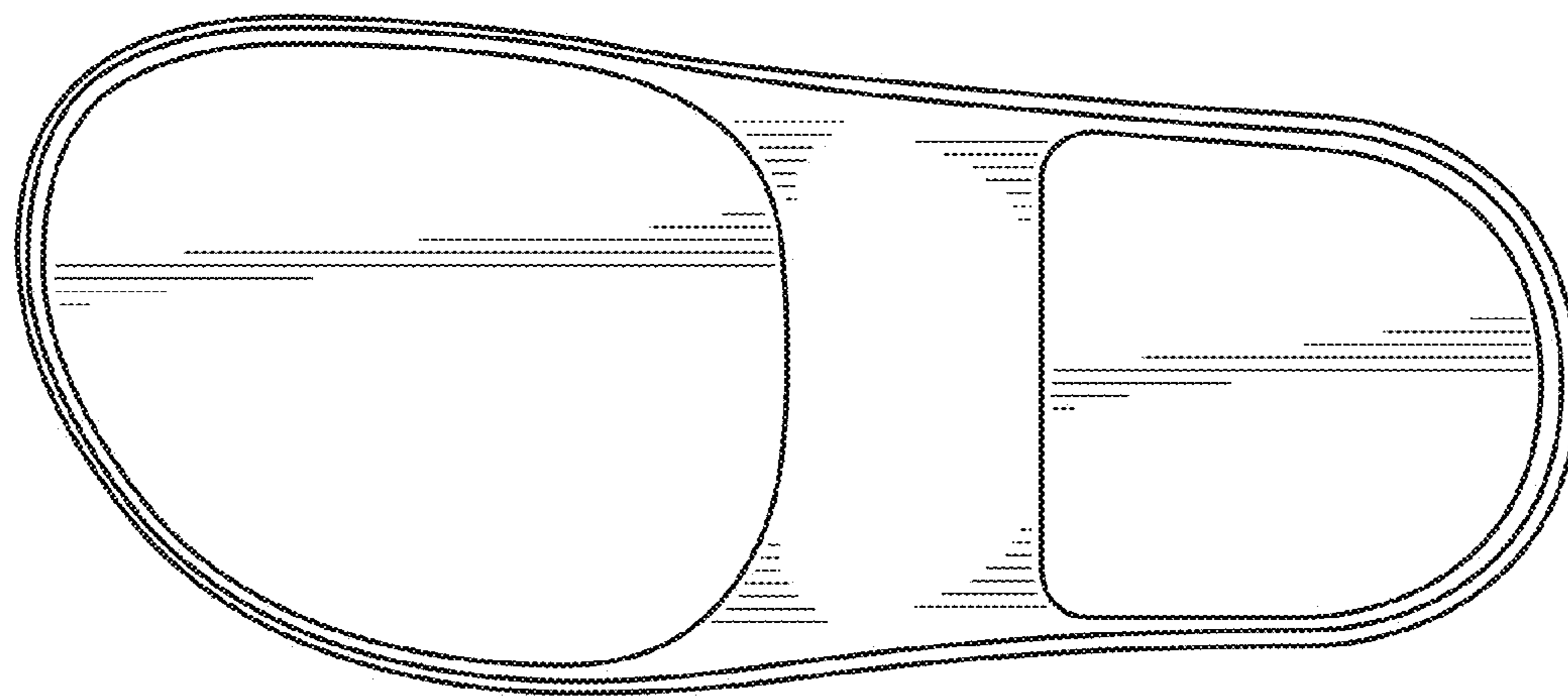


FIG. 11

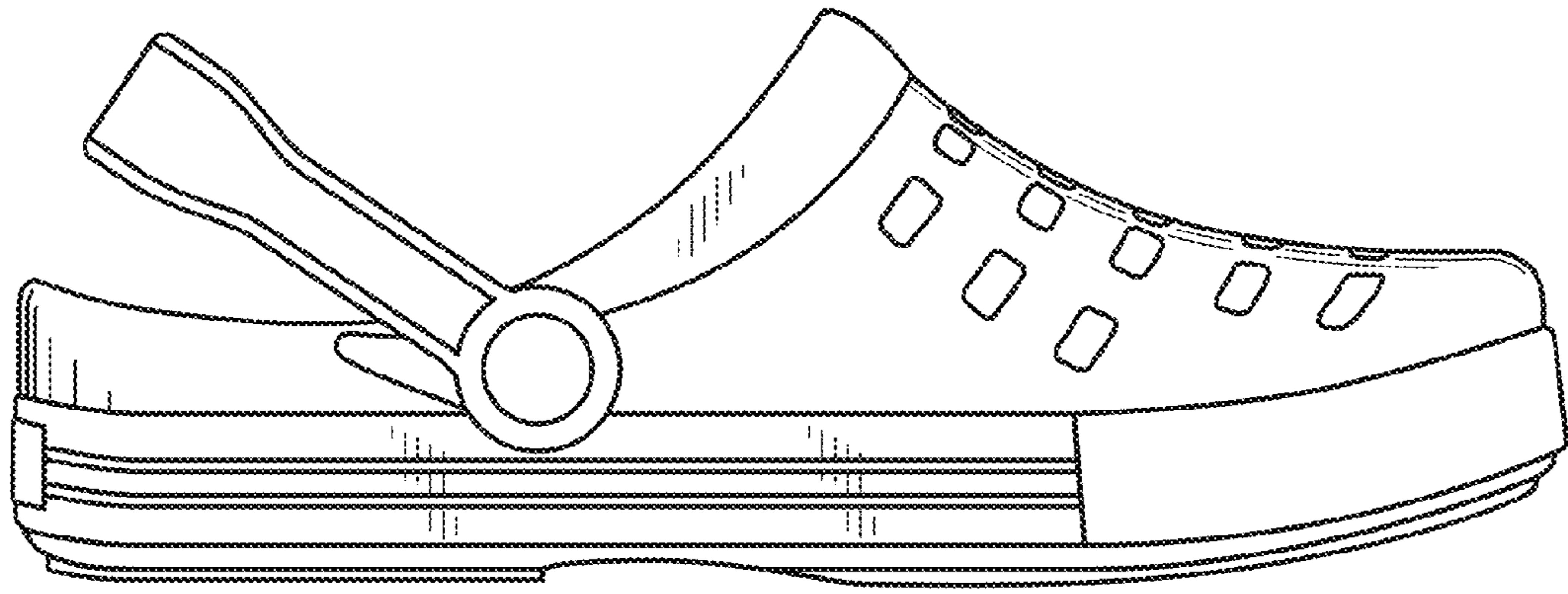


FIG. 12

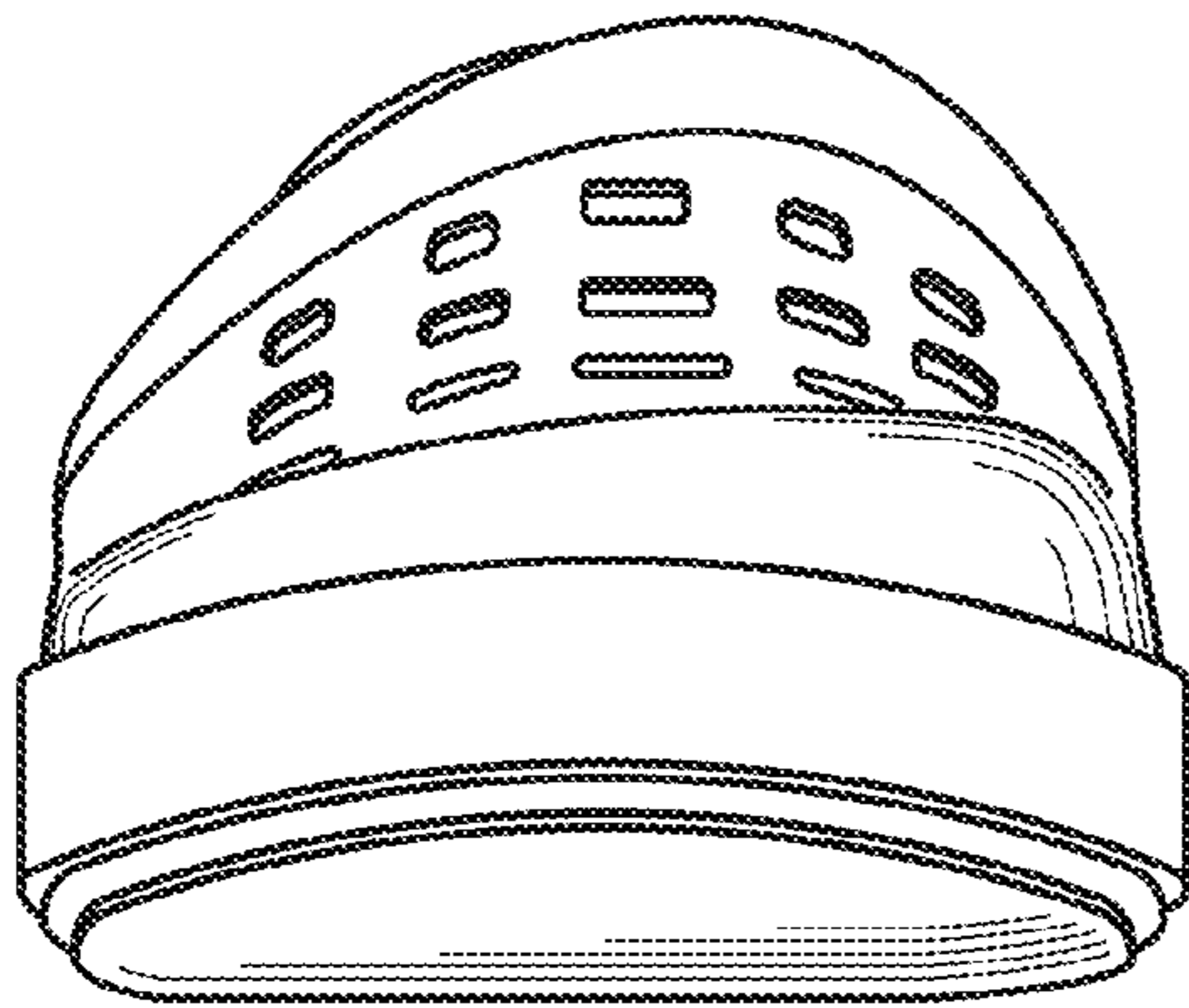


FIG. 13

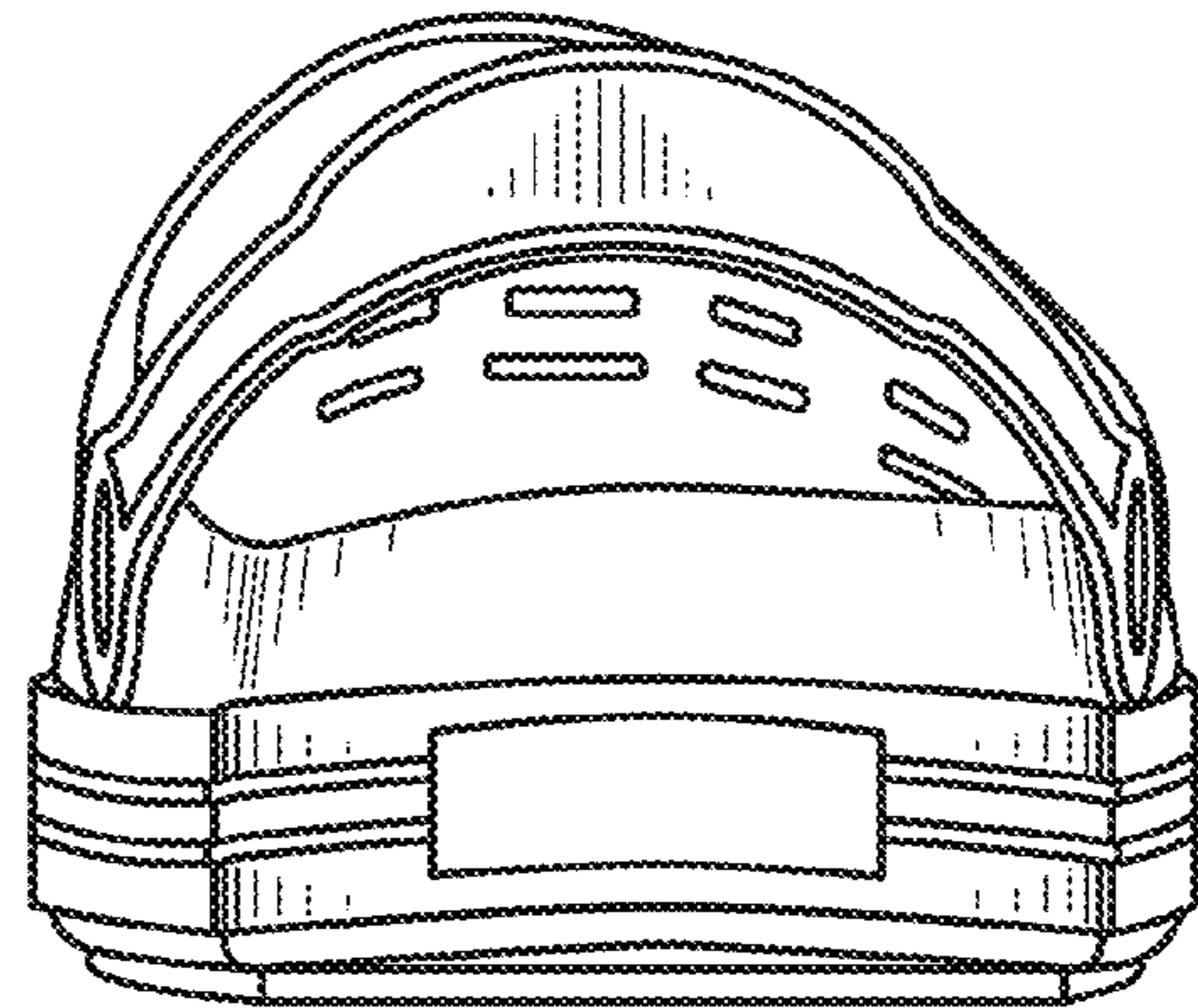


FIG. 14