



US00D747076S

(12) **United States Design Patent**  
**Reisler**

(10) **Patent No.:** **US D747,076 S**  
(45) **Date of Patent:** **\*\* Jan. 12, 2016**

- (54) **LONG JACKET**
- (71) Applicant: **Yeriv Reisler**, Clonsilla (IE)
- (72) Inventor: **Yeriv Reisler**, Clonsilla (IE)
- (73) Assignee: **Yeriv Reisler**, Clonsilla (IE)
- (\*\*) Term: **14 Years**
- (21) Appl. No.: **29/473,362**
- (22) Filed: **Nov. 21, 2013**
- (51) **LOC (10) Cl.** ..... **02-02**
- (52) **U.S. Cl.**  
USPC ..... **D2/839**
- (58) **Field of Classification Search**  
USPC ..... D2/839, 724, 728, 750, 828, 830, 834,  
D2/836, 840, 847, 863, 831, 999;  
D29/100, 124, 101.1; 2/51, 69, 77, 79,  
2/81, 85, 93, 96, 108, 125, 95, DIG. 1,  
2/102  
CPC ..... A41D 1/02; A41D 1/00; A41D 1/04;  
A41D 1/22; A41D 27/00; A41D 27/28;  
A41D 3/00; Y10S 2/01; Y10S 2/03  
See application file for complete search history.

(56) **References Cited**

**U.S. PATENT DOCUMENTS**

4,959,876	A	10/1990	Kalaam et al.	
5,127,106	A	7/1992	Aldridge	
5,189,737	A	3/1993	Ribicic	
5,297,295	A	3/1994	Barbeau et al.	
7,146,646	B2	12/2006	Grilliot et al.	
D568,028	S	5/2008	Quinn	
D633,691	S	3/2011	Tronvold	
7,992,221	B2	8/2011	Sonner	
D683,524	S *	6/2013	Power	D2/830
D684,749	S	6/2013	Reisler	
8,490,219	B2 *	7/2013	Seguin et al.	2/247

D698,527	S *	2/2014	Roberts et al.	D2/839
D703,921	S *	5/2014	Reisler	D2/828
2006/0236442	A1 *	10/2006	Seguin et al.	2/93
2006/0248627	A1 *	11/2006	Austin et al.	2/102
2007/0002557	A1	1/2007	Golle et al.	
2008/0209611	A1	9/2008	Tyrrell	
2010/0212062	A1 *	8/2010	Seguin et al.	2/85
2015/0026862	A1 *	1/2015	Silverberg	2/69

\* cited by examiner

*Primary Examiner* — Wan Laymon

*Assistant Examiner* — Mark Booker

(74) *Attorney, Agent, or Firm* — Warner Norcross & Judd LLP

(57) **CLAIM**

The shape and configuration design for a long jacket, as shown and described.

**DESCRIPTION**

FIG. 1 is a left perspective view of the long jacket of the present invention;  
 FIG. 2 is a front view of the long jacket of FIG. 1;  
 FIG. 3 is a rear perspective view of the jacket of FIG. 1 with the long jacket unfolded;  
 FIG. 4 is a rear view of the long jacket of FIG. 2, which has at least one region with a different color to a region on the front of the long jacket;  
 FIG. 5 is a right side view of the long jacket of FIG. 2, which is a mirror image to the left side elevation view of the long jacket of FIG. 2;  
 FIG. 6 is a top plan view of the long jacket of FIG. 2; and,  
 FIG. 7 is a bottom plan view of the long jacket of FIG. 2.  
 The dash-dot dash lines in the drawings represent the boundary of the claimed design while all other broken lines are directed to environment and represent portions of the article; the broken lines form no part of the claimed design.

**1 Claim, 7 Drawing Sheets**





Figure 1

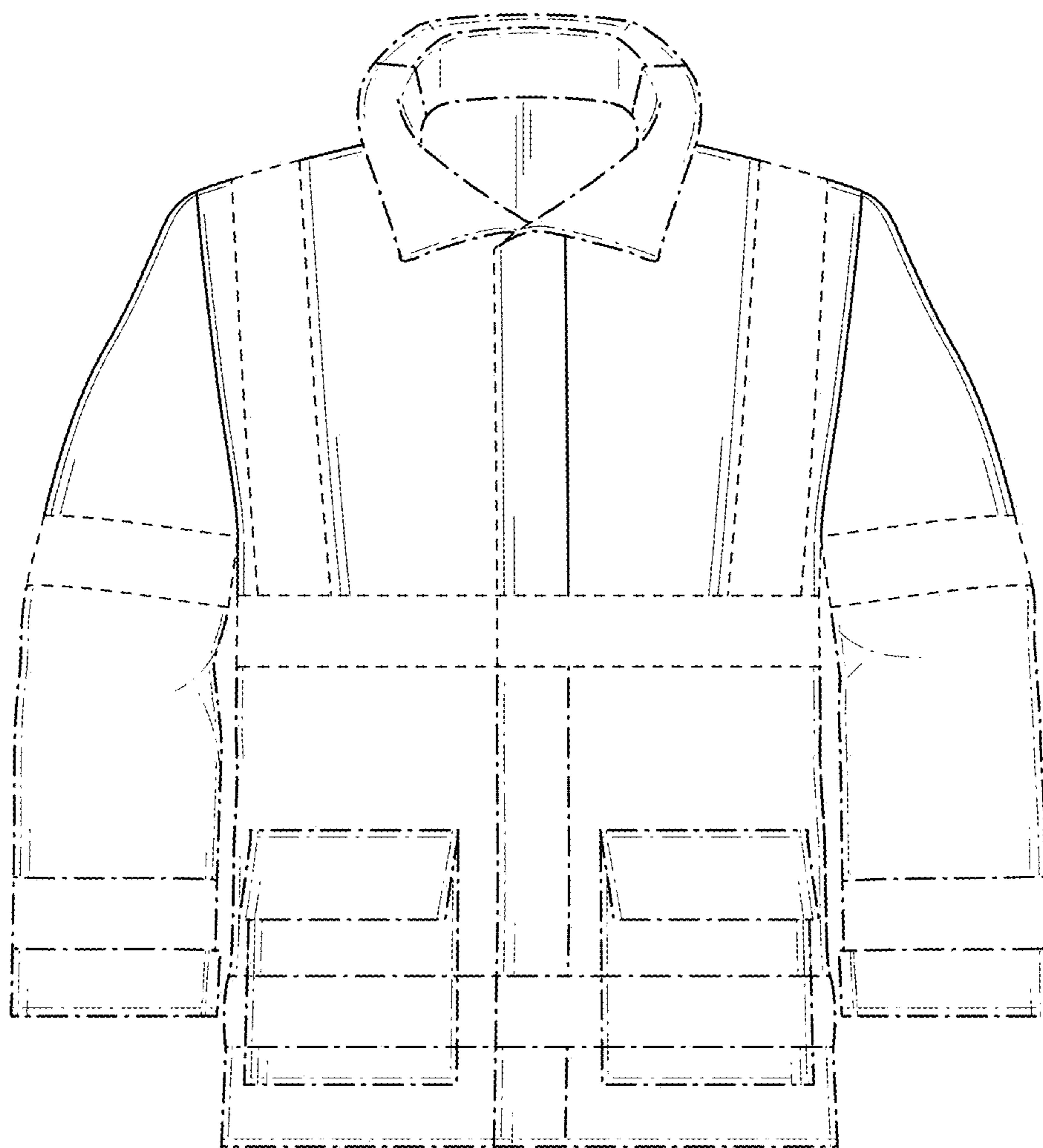


Figure 2

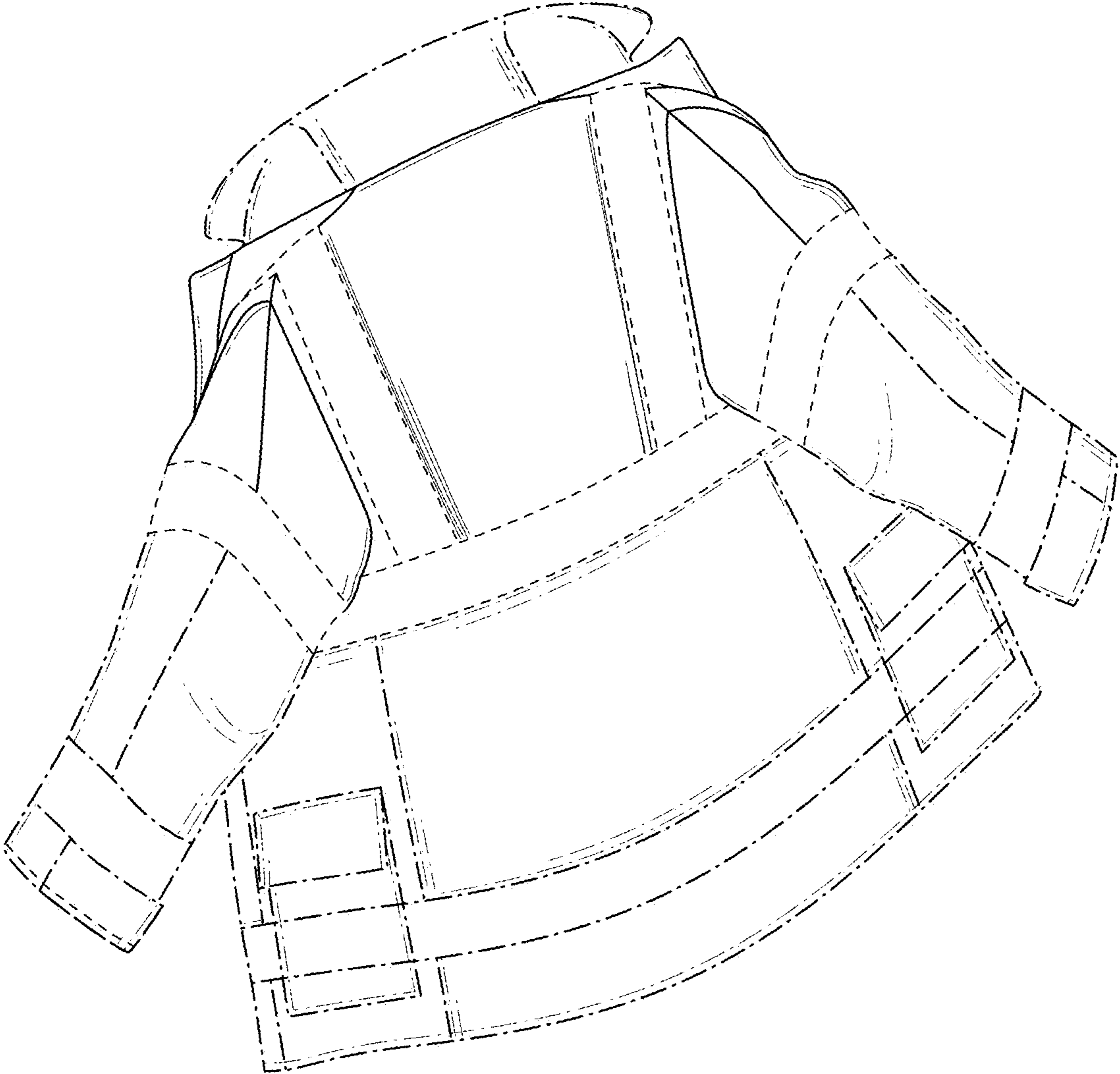


Figure 3

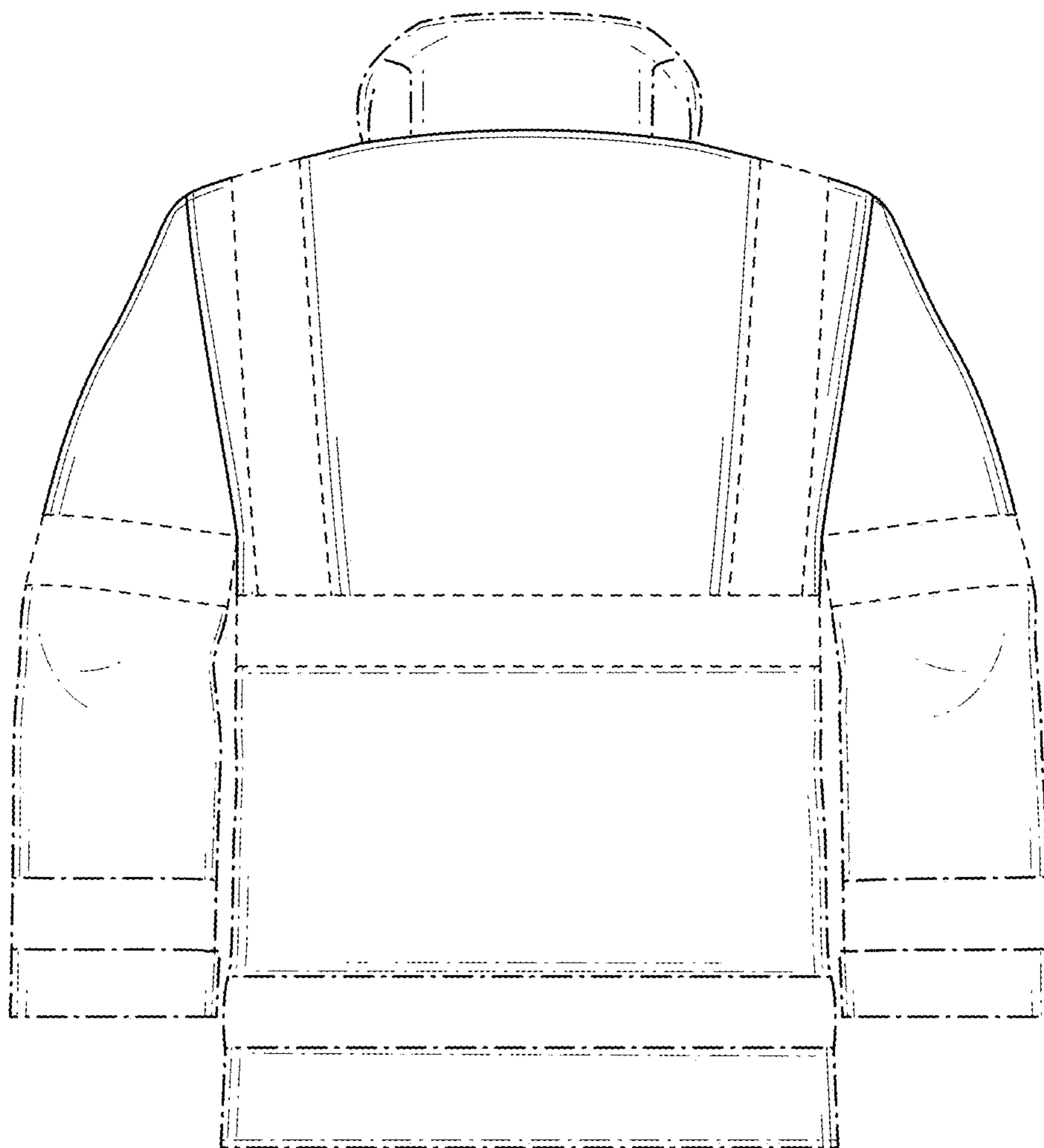


Figure 4

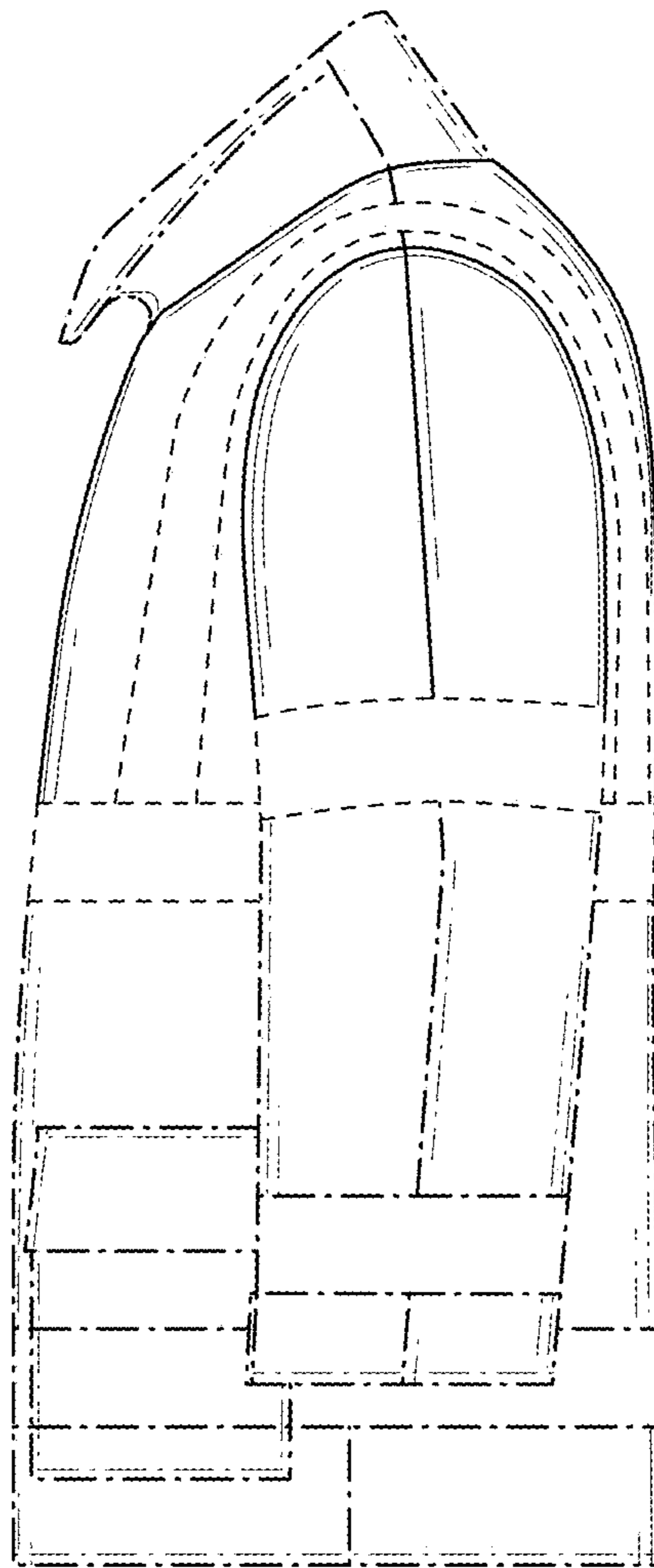


Figure 5

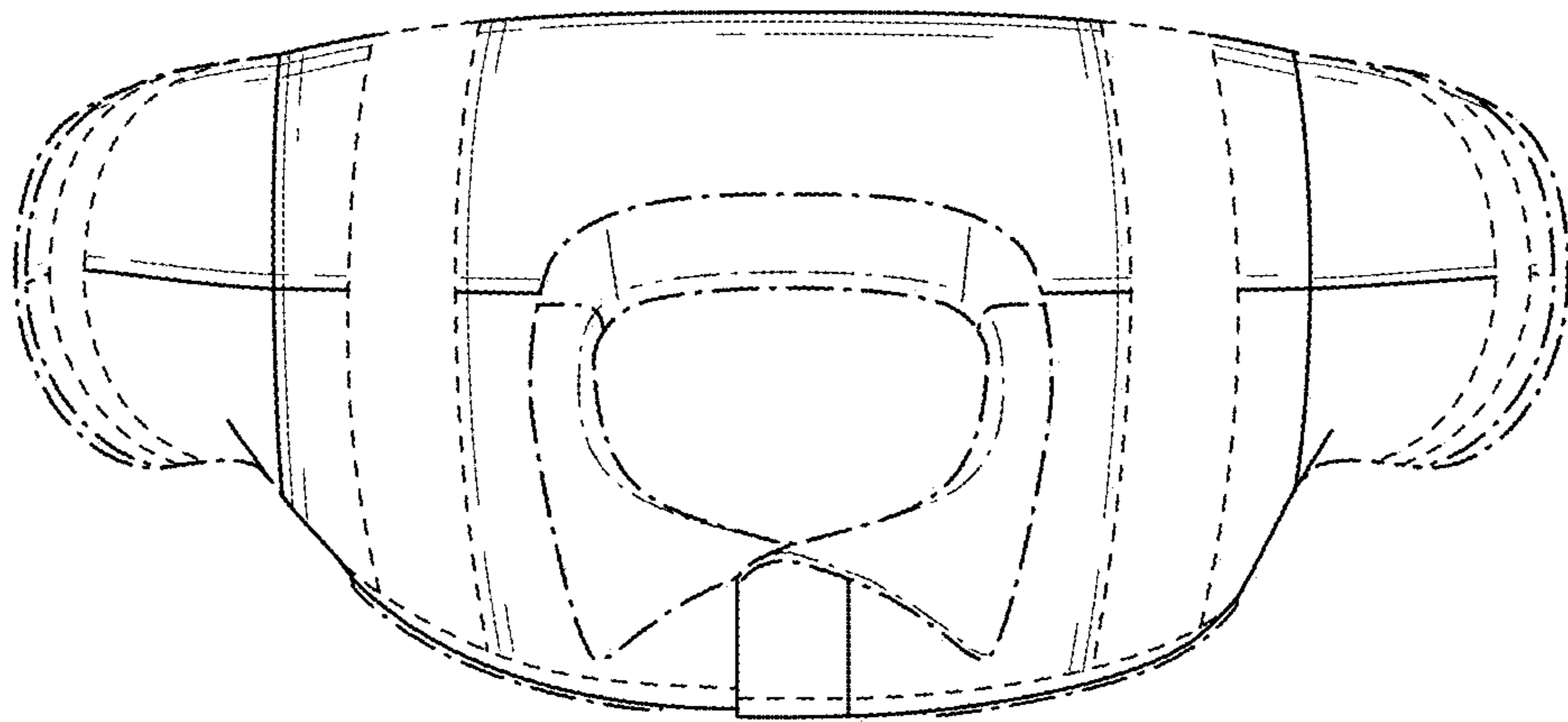


Figure 6

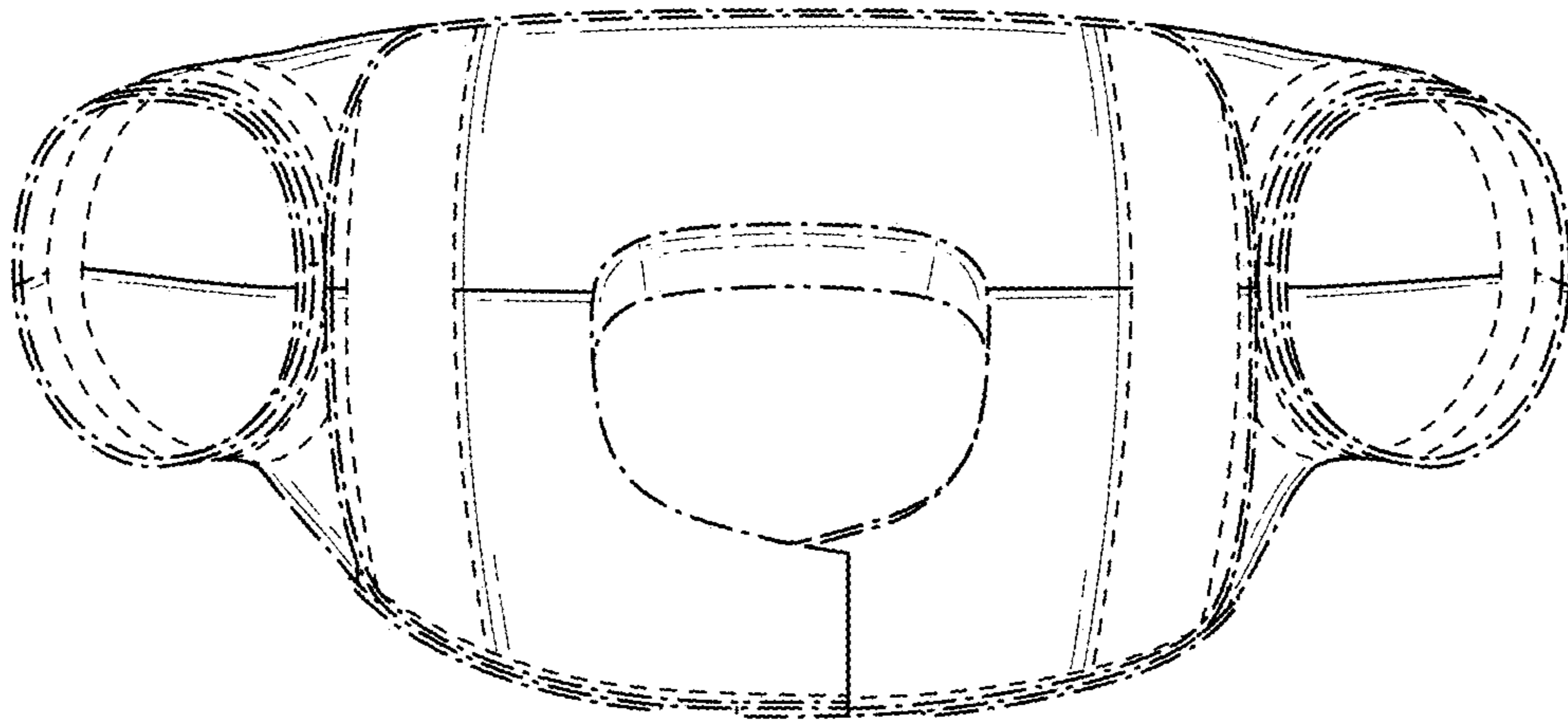


Figure 7