



US00D747075S

(12) **United States Design Patent**  
**Ingram**

(10) **Patent No.:** **US D747,075 S**  
(45) **Date of Patent:** **\*\* Jan. 12, 2016**

(54) **HOODED GARMENT**

(71) Applicant: **NIKE, Inc.**, Beaverton, OR (US)

(72) Inventor: **Jeff Ingram**, Beaverton, OR (US)

(73) Assignee: **NIKE, Inc.**, Beaverton, OR (US)

(\*\*) Term: **15 Years**

(21) Appl. No.: **29/528,454**

(22) Filed: **May 28, 2015**

(51) **LOC (10) Cl.** ..... **02-02**

(52) **U.S. Cl.**  
USPC ..... **D2/831**

(58) **Field of Classification Search**  
USPC ..... D2/717, 731, 749, 750, 755, 828-831,  
D2/833, 834, 836, 839, 840, 841  
See application file for complete search history.

(56) **References Cited**

**U.S. PATENT DOCUMENTS**

D113,203 S	1/1939	Feigenbaum	
D113,204 S	1/1939	Zucker et al.	
D385,088 S	10/1997	Handysides	
D478,708 S	8/2003	Miros et al.	
D479,902 S *	9/2003	Brown	D2/831
D588,783 S	3/2009	Olstorn	
D620,231 S	7/2010	Parker	
D621,132 S	8/2010	Crisp	
D622,032 S	8/2010	Lambertz	
D622,033 S	8/2010	Lambertz	
D622,034 S	8/2010	Lambertz	
D622,035 S	8/2010	Lambertz	
D626,725 S	11/2010	Snyder et al.	
D631,230 S	1/2011	Ruffini	
D633,690 S	3/2011	Tronvold	
D633,691 S	3/2011	Tronvold	
D636,973 S	5/2011	Smith et al.	
D675,400 S	2/2013	Mertes	
D679,072 S	4/2013	Abbevik et al.	
D685,159 S *	7/2013	Lambertz	D2/829
D687,619 S *	8/2013	Savage	D2/828

D693,095 S	11/2013	Grant
D698,528 S	2/2014	Roberts et al.
D702,419 S	4/2014	Mertes
D704,418 S	5/2014	Holmes
D704,419 S	5/2014	Holmes
D704,924 S	5/2014	Roberts et al.
D707,423 S	6/2014	Pezzimenti

(Continued)

**OTHER PUBLICATIONS**

Nike Apparel Catalog, 2010 Fall ACG, p. 15, published date unknown, but prior to the filing date of the present application, NIKE, Inc.

(Continued)

*Primary Examiner* — Rashida Johnson

(74) *Attorney, Agent, or Firm* — Banner & Witcoff, Ltd.

(57) **CLAIM**

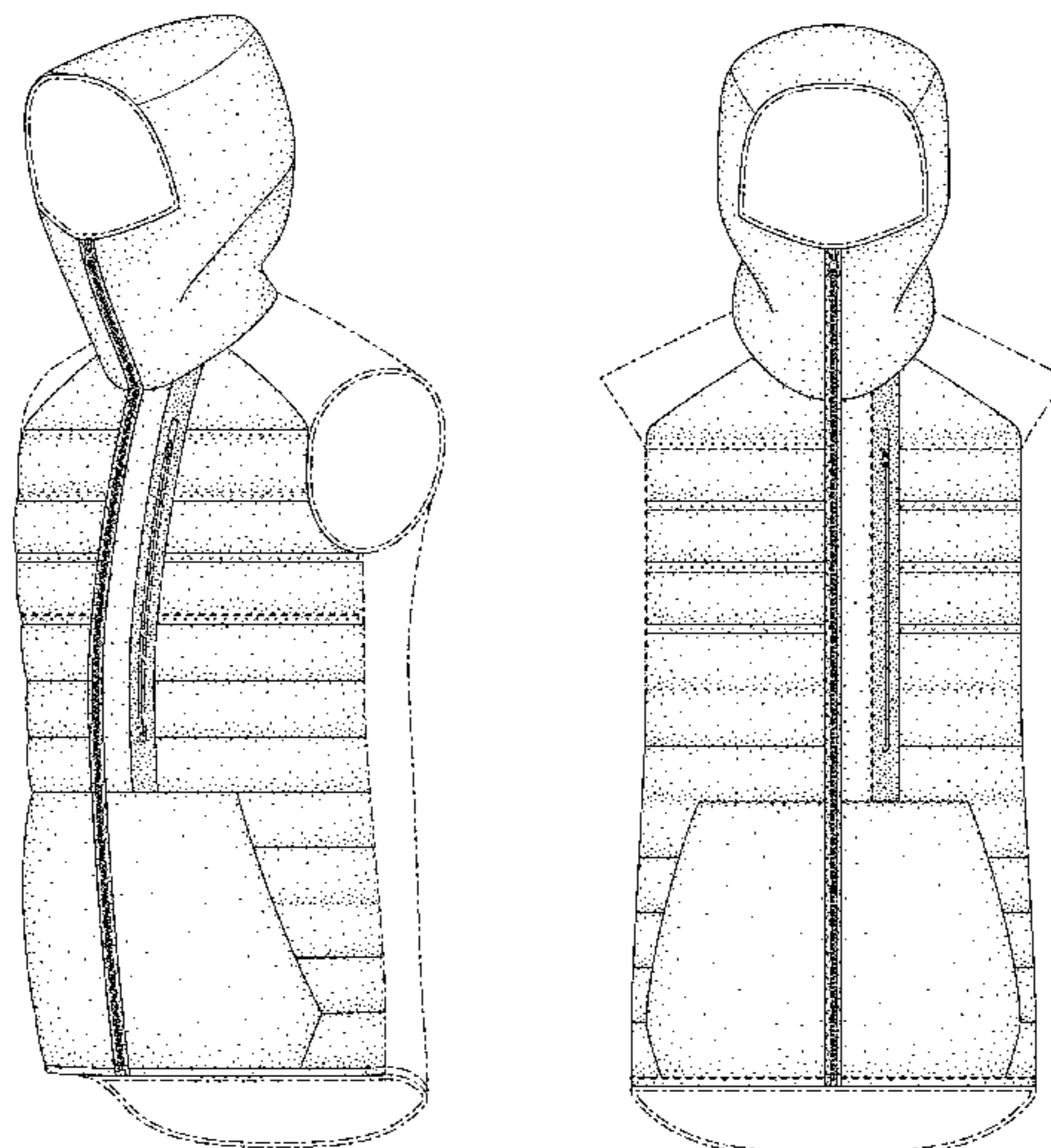
The ornamental design for a hooded garment, as shown and described.

**DESCRIPTION**

FIG. 1 is a front right perspective view of a hooded garment showing my new design in an in-use configuration; FIG. 2 is a front left perspective view thereof; FIG. 3 is a front view thereof; FIG. 4 is a rear view thereof; FIG. 5 is a right side view thereof; FIG. 6 is a left side view thereof; FIG. 7 is a top view thereof; and, FIG. 8 is a bottom view thereof.

The broken lines immediately adjacent to the shaded area represent unclaimed boundaries of the design. The unshaded regions, demarcated by broken lines, represent unclaimed portions of the hooded garment and form no part of the claimed design. The contrast in shading represents a contrast of appearance and does not represent any particular color, texture, or material.

**1 Claim, 8 Drawing Sheets**



(56)

**References Cited**

U.S. PATENT DOCUMENTS

D707,424 S	6/2014	Pezzimenti	
D710,573 S	8/2014	Pezzimenti	
D713,128 S	9/2014	Pezzimenti et al.	
D713,620 S	9/2014	Pezzimenti et al.	
D713,621 S	9/2014	Pezzimenti et al.	
D714,022 S	9/2014	Mong et al.	
D714,527 S	10/2014	Borovicka	
D716,022 S	10/2014	Judge et al.	
D719,722 S	12/2014	Bublak	
D736,497 S	* 8/2015	Harris	..... D2/831

OTHER PUBLICATIONS

Nike Apparel Catalog, 2010 Fall ACG, p. 16, published date unknown, but prior to the filing date of the present application, NIKE, Inc.  
Nike Apparel Catalog, 2010 Fall ACG, p. 4, published date unknown, but prior to the filing date of the present application, NIKE, Inc.  
Nike Apparel Catalog, 2010 Fall Apparel, p. 20, published date unknown, but prior to the filing date of the present application, NIKE, Inc.  
Nike Apparel Catalog, 2010 Holiday Women's Athletic Dept Classics, p. 9, published date unknown, but prior to the filing date of the present application, NIKE, Inc.

Nike Apparel Catalog, 2010 Holiday Young Athletes, p. 47, published date unknown, but prior to the filing date of the present application, NIKE, Inc.  
Nike Apparel Catalog, 2010 Holiday Young Athletes, p. 62, published date unknown, but prior to the filing date of the present application, NIKE, Inc.  
Nike Apparel Catalog, 2011 Fall Boys Apparel Catalog, p. 22, published date unknown, but prior to the filing date of the present application, NIKE, Inc.  
Nike Apparel Catalog, 2011 Fall Men's Athletic Dept Classics Catalog, p. 57, published date unknown, but prior to the filing date of the present application, NIKE, Inc.  
Nike Apparel Catalog, 2011 Holiday Boys, p. 25, published date unknown, but prior to the filing date of the present application, NIKE, Inc.  
Nike Apparel Catalog, 2011 Holiday Girls, p. 12, published date unknown, but prior to the filing date of the present application, NIKE, Inc.  
Nike Apparel Catalog, 2011 Holiday Men's Athletic Dept Classic, p. 1, published date unknown, but prior to the filing date of the present application, NIKE, Inc.  
Nike Apparel Catalog, 2011 Holiday Women's Performance, p. 51, published date unknown, but prior to the filing date of the present application, NIKE, Inc.

\* cited by examiner

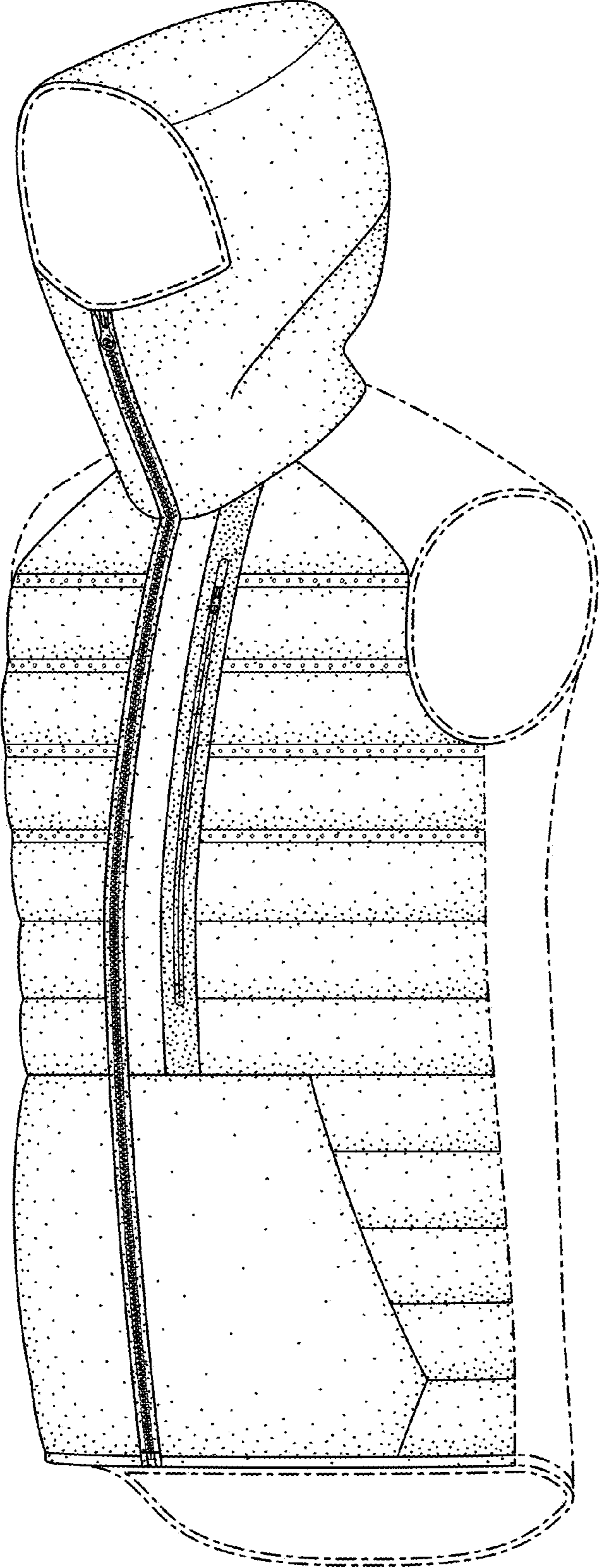


FIG. 1

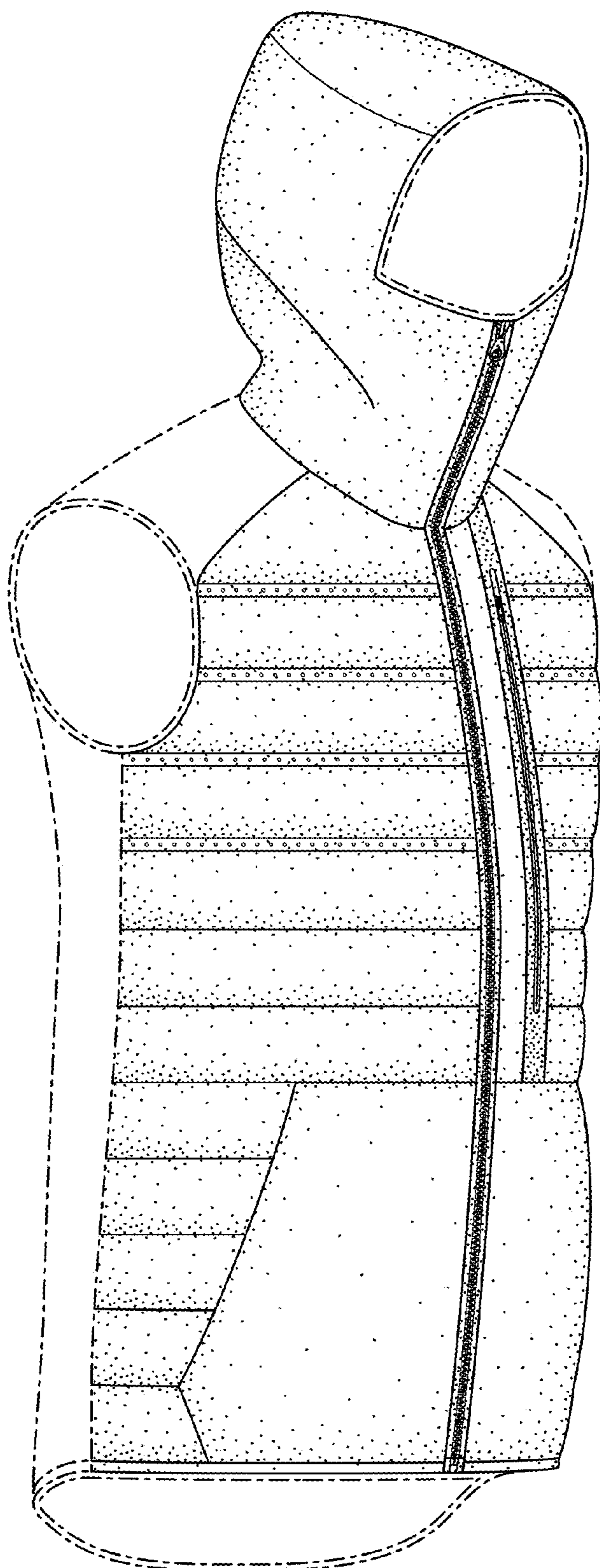


FIG. 2

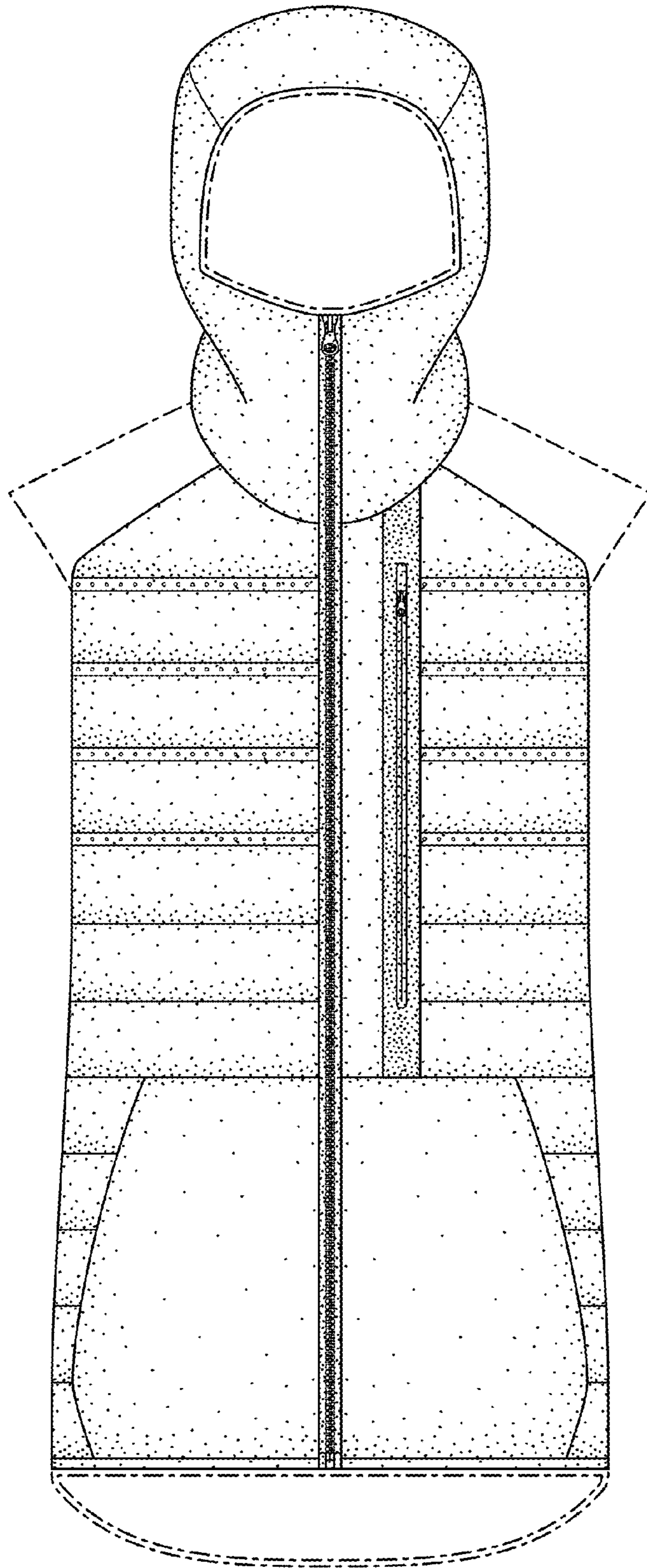


FIG. 3

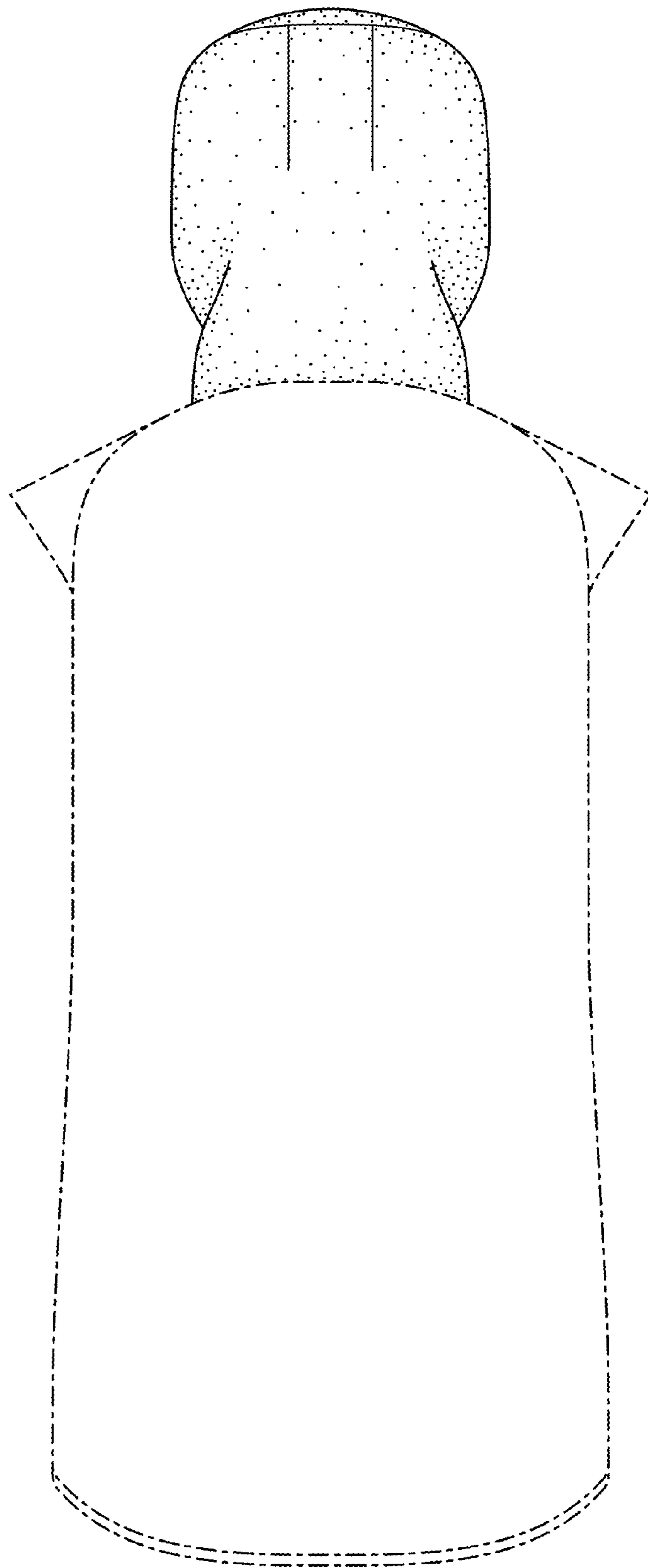


FIG. 4

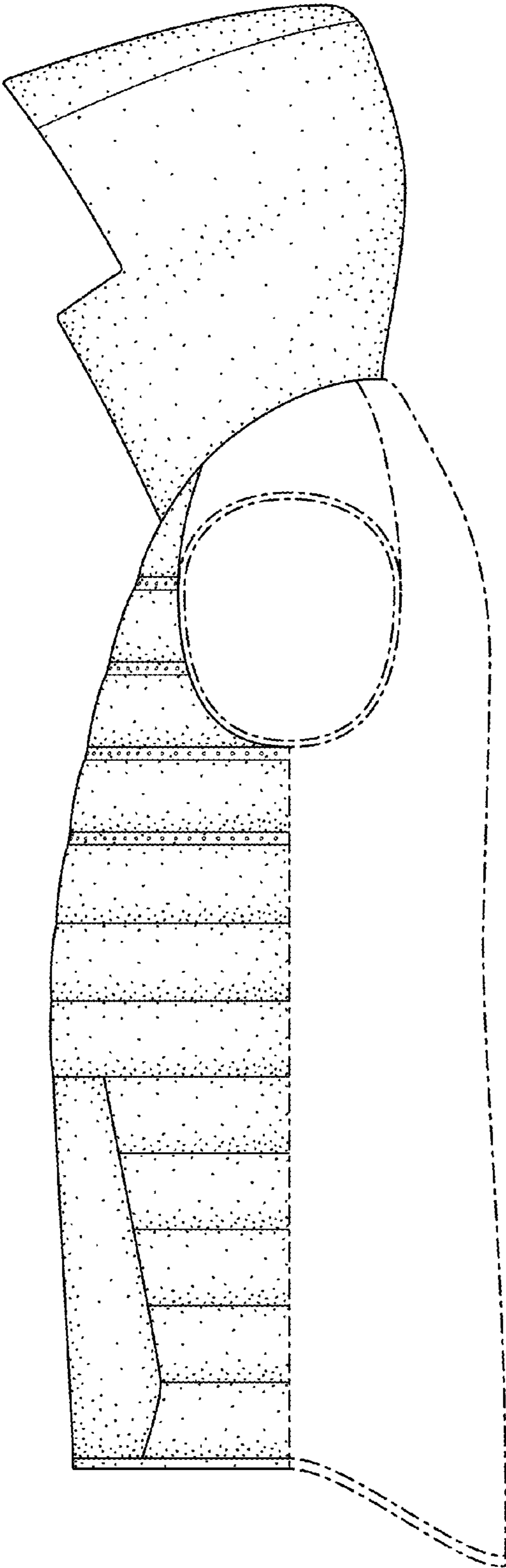


FIG. 5

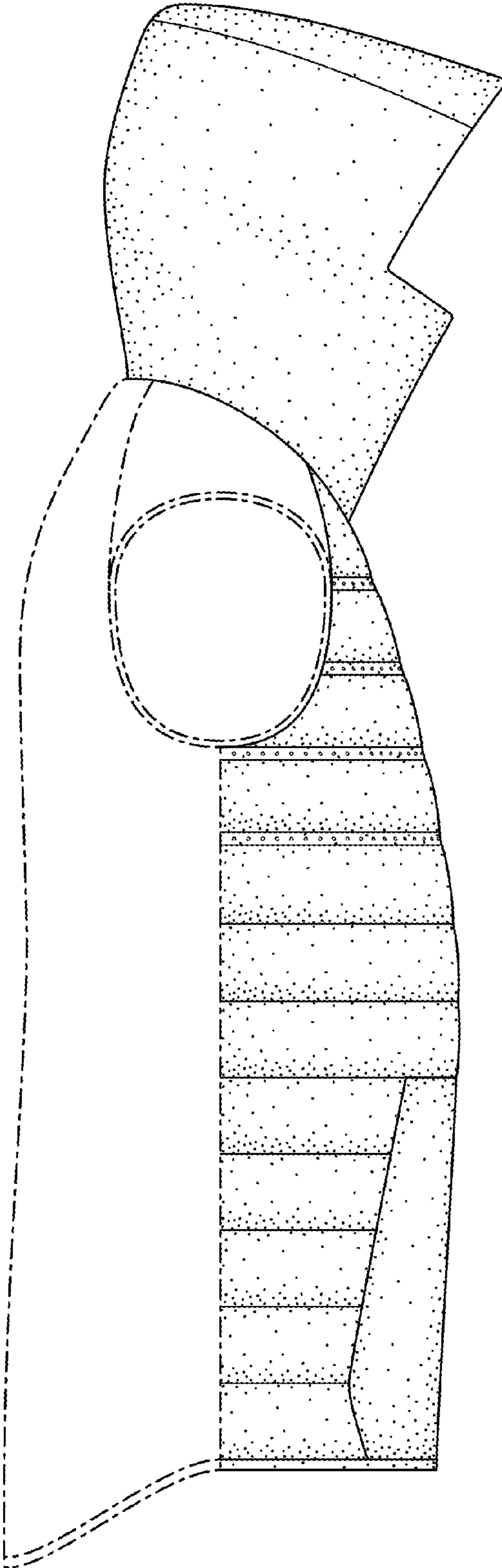


FIG. 6



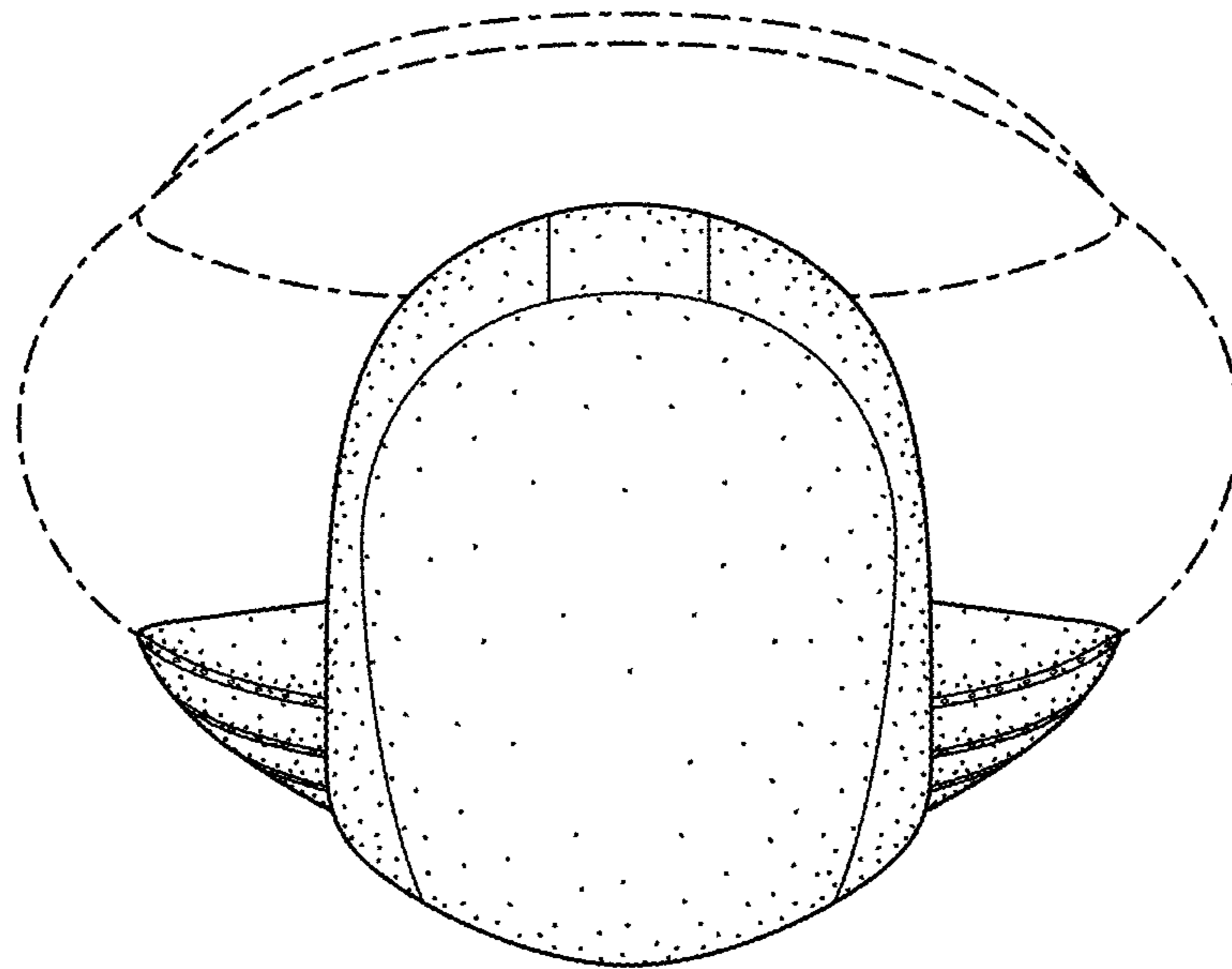


FIG. 7

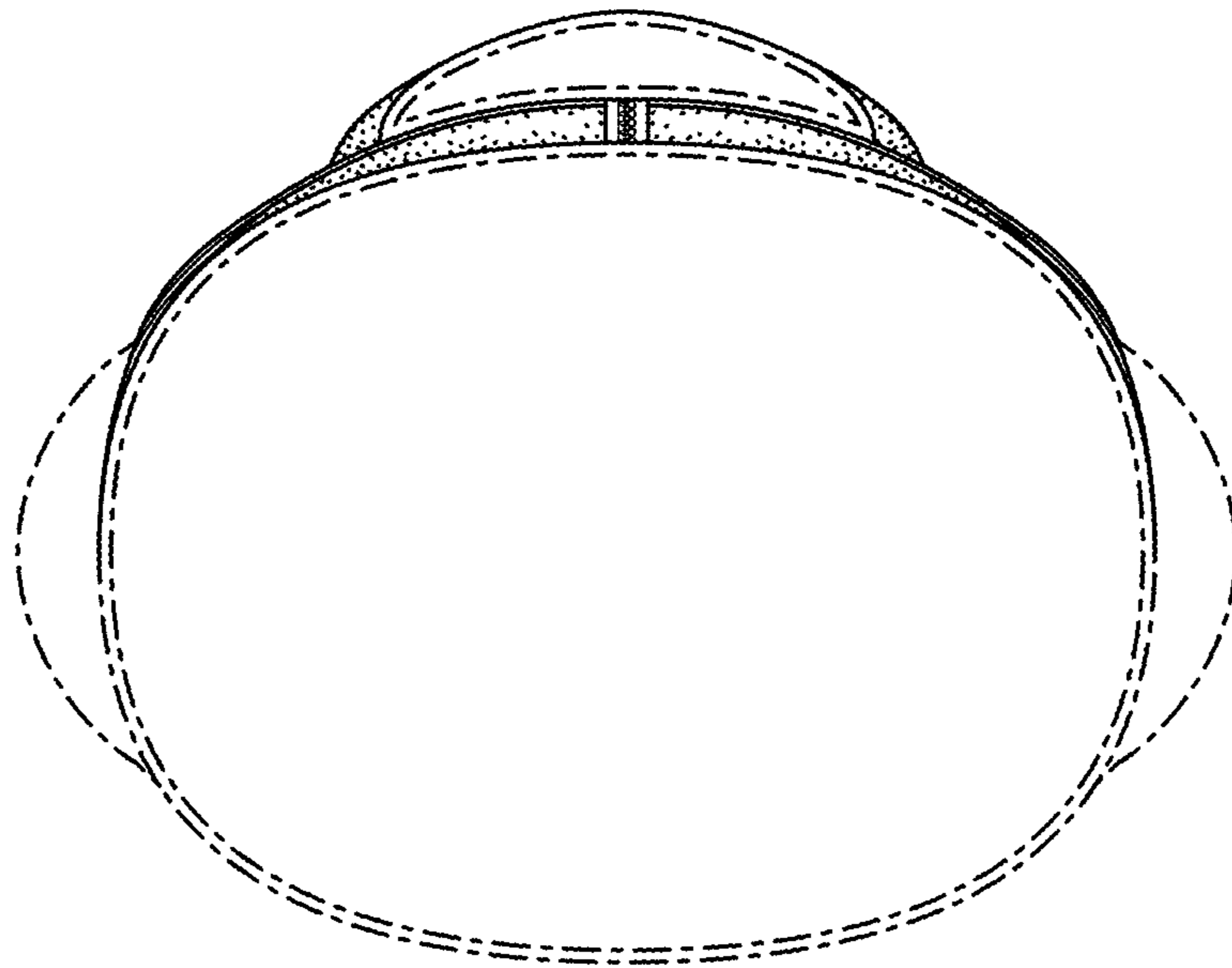


FIG. 8