



US00D747064S

(12) **United States Design Patent**  
**Brassard et al.**

(10) **Patent No.:** **US D747,064 S**  
(45) **Date of Patent:** **\*\* Jan. 5, 2016**

(54) **UTILITY CART**  
(71) Applicants: **Dustin S. Brassard**, Woburn, MA (US);  
**Amy Button**, Woburn, MA (US)  
(72) Inventors: **Dustin S. Brassard**, Woburn, MA (US);  
**Amy Button**, Woburn, MA (US)  
(\*\*) Term: **14 Years**

D509,939 S \* 9/2005 Hay et al. .... D34/20  
D517,768 S 3/2006 Arceta  
D556,416 S \* 11/2007 Zorzo ..... D34/19  
D559,496 S \* 1/2008 Zorzo ..... D34/17  
8,210,548 B1 7/2012 Agyemang  
8,286,977 B2 10/2012 Butler et al.  
8,348,301 B2 1/2013 Darling, III  
8,424,883 B1 4/2013 Ramos  
D707,912 S \* 6/2014 Koehler et al. .... D34/19  
D708,809 S \* 7/2014 Maddux et al. .... D34/19  
2003/0201697 A1 10/2003 Richardson

(21) Appl. No.: **29/499,381**  
(22) Filed: **Aug. 14, 2014**  
(51) **LOC (10) Cl.** ..... **12-02**  
(52) **U.S. Cl.**  
USPC ..... **D34/21**  
(58) **Field of Classification Search**  
USPC ..... D34/12-27; 280/79.11, 79.3, 47.35;  
312/229, 250, 350, 249.12, 351.11,  
312/116, 236, 279, 214, 218  
CPC .... B62B 1/12; B62B 1/002; B62B 2501/067;  
B62B 3/027; B62B 5/0438; B62B 2205/32;  
B60B 2200/432; B60B 37/10  
See application file for complete search history.

\* cited by examiner

*Primary Examiner* — Cynthia Ramirez  
*Assistant Examiner* — Gino Colan  
(74) *Attorney, Agent, or Firm* — Robert C. Montgomery;  
Montgomery Patent & Design, LLC

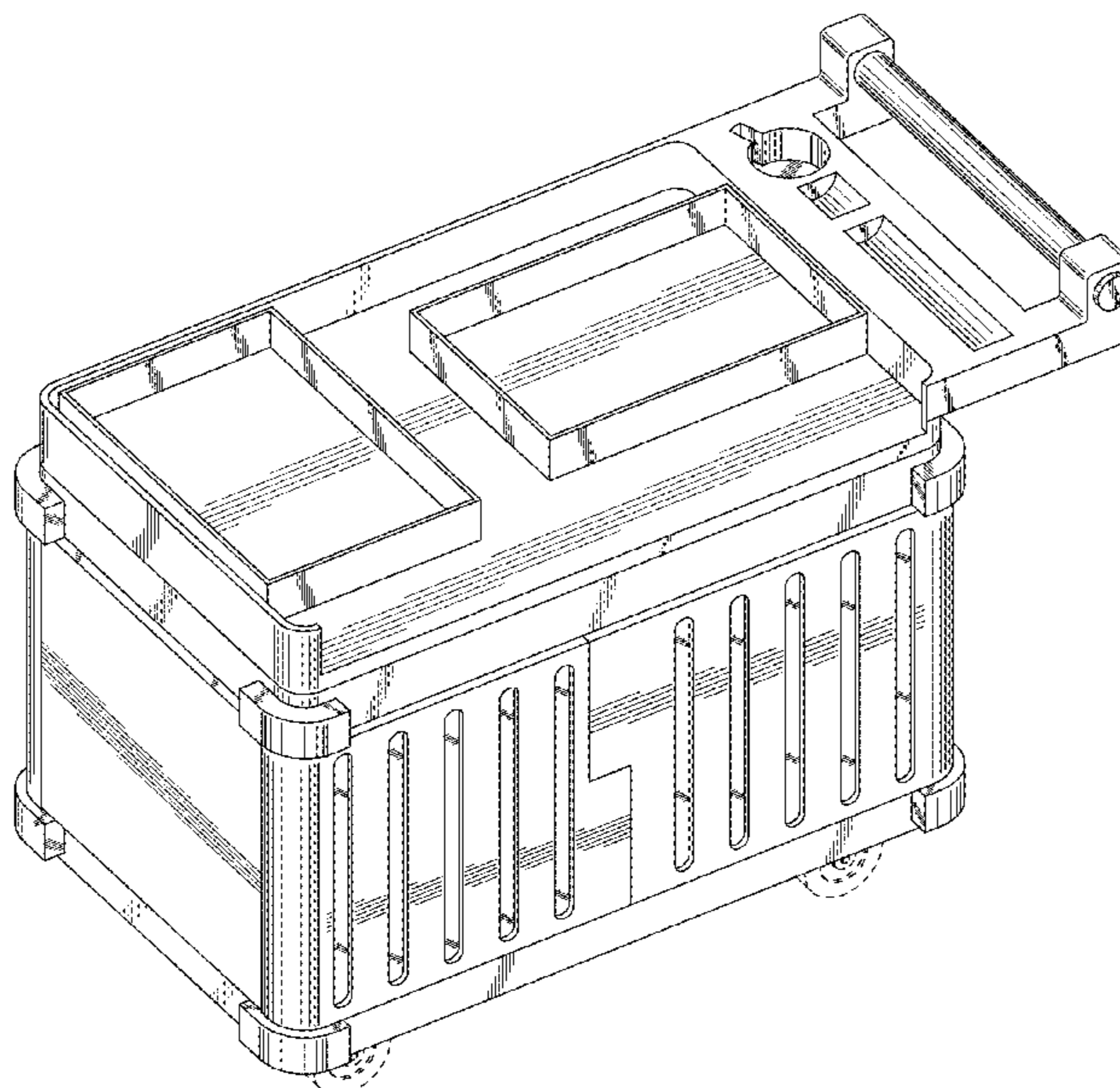
(57) **CLAIM**  
The ornamental design for a utility cart, as shown and described.

**DESCRIPTION**

FIG. 1 is a front perspective view of a utility cart showing my new design;  
FIG. 2 is another perspective view of FIG. 1;  
FIG. 3 is a front view of FIG. 1;  
FIG. 4 is a rear view of FIG. 1;  
FIG. 5 is a right elevational view of FIG. 1;  
FIG. 6 is a left elevational view of FIG. 1;  
FIG. 7 is a top view of FIG. 1; and,  
FIG. 8 is a bottom view of FIG. 1.  
The broken line showing in FIG. 1 is for the purpose of illustrating environment and forms no part of the claimed design.

(56) **References Cited**  
U.S. PATENT DOCUMENTS  
2,113,995 A 4/1938 Salvage  
2,190,498 A 2/1940 Williams  
D212,088 S 8/1968 Salsgiver  
D323,915 S \* 2/1992 Welch ..... D34/21  
5,314,243 A 5/1994 McDonald et al.  
D355,517 S \* 2/1995 Campbell et al. .... D34/20  
D370,328 S \* 5/1996 Mathews et al. .... D34/19  
D391,032 S \* 2/1998 Delmerico ..... D34/21  
D489,858 S \* 5/2004 Hay et al. .... D34/20

**1 Claim, 8 Drawing Sheets**



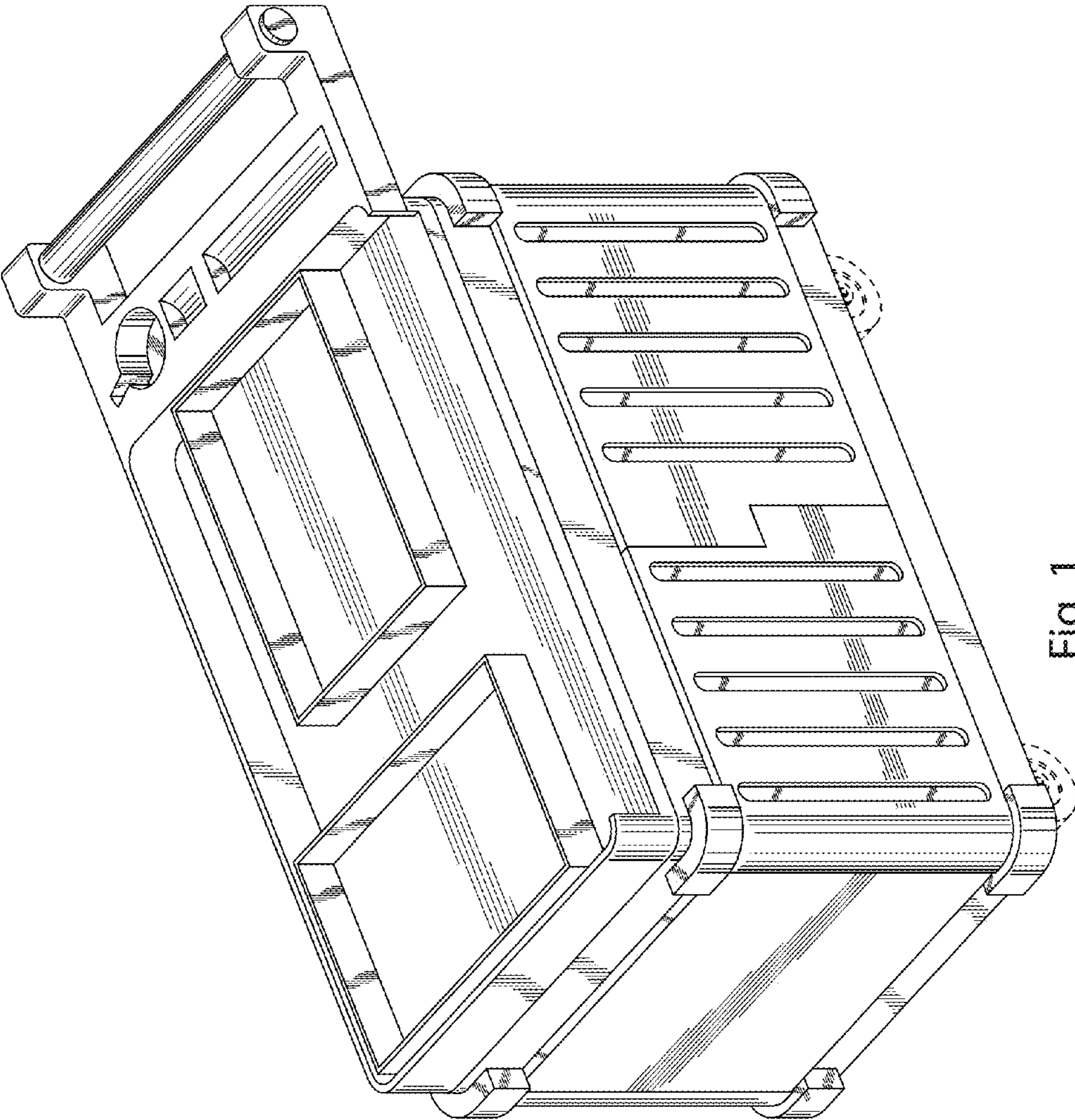


Fig. 1

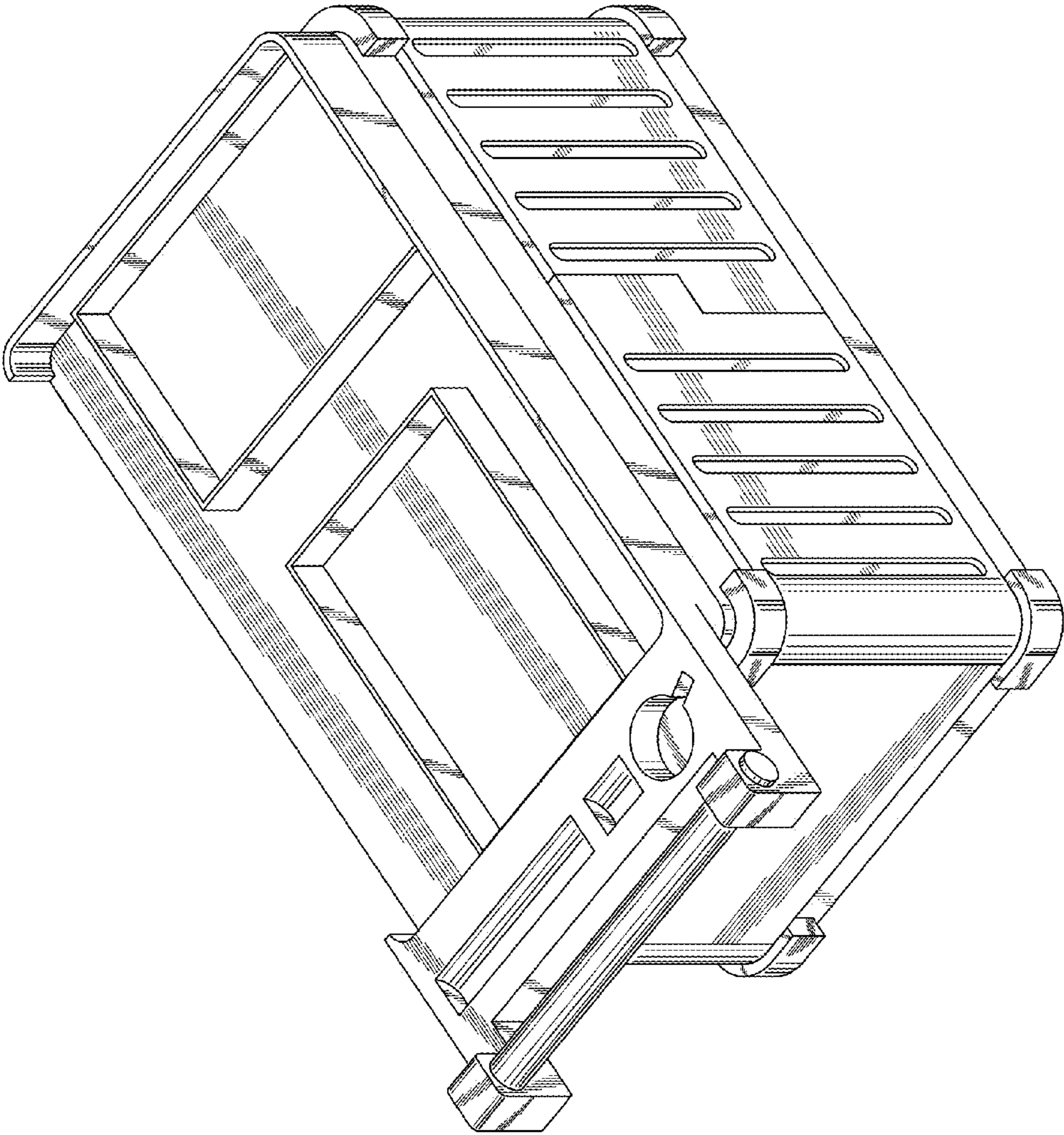


Fig. 2

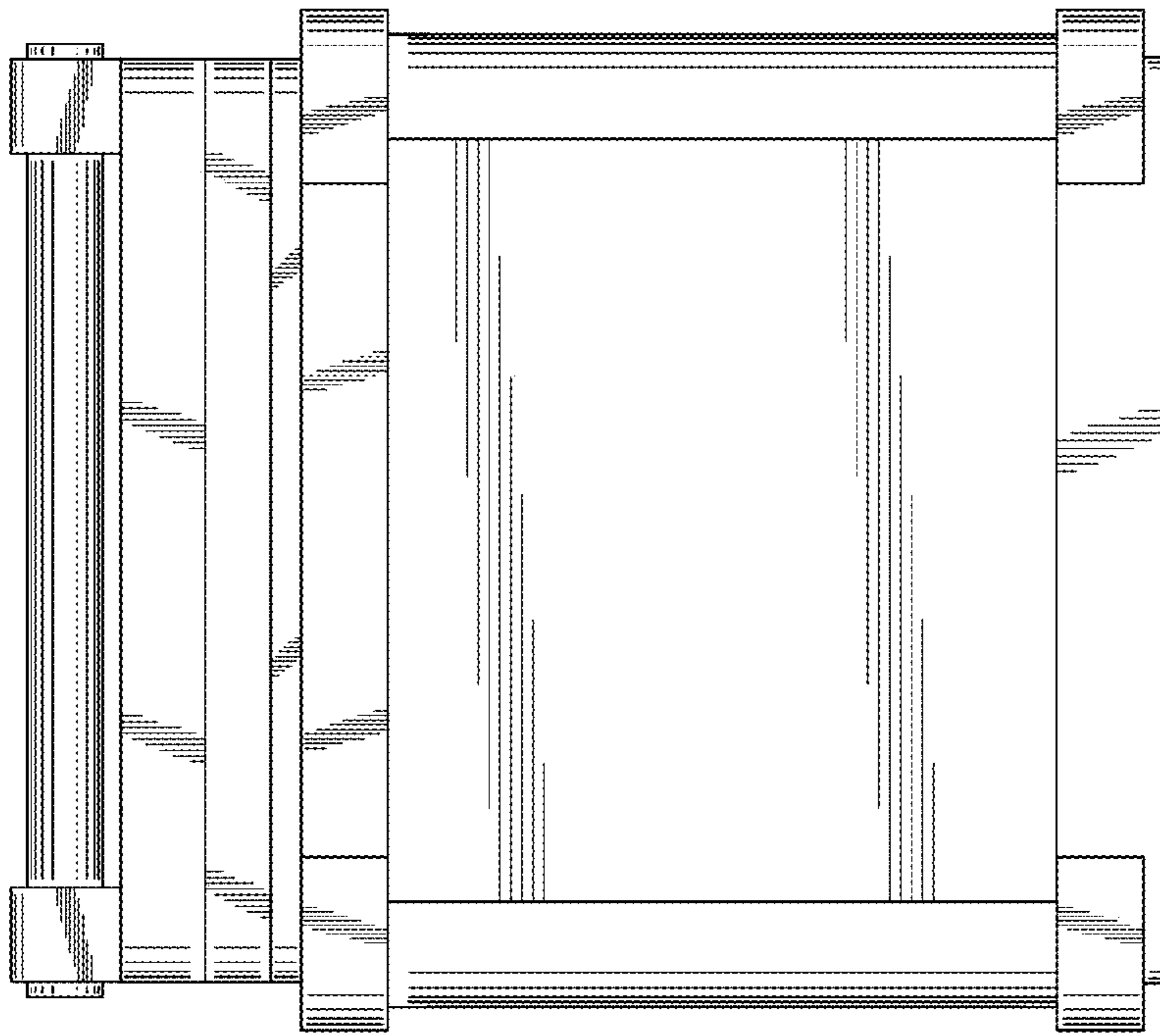


Fig. 3

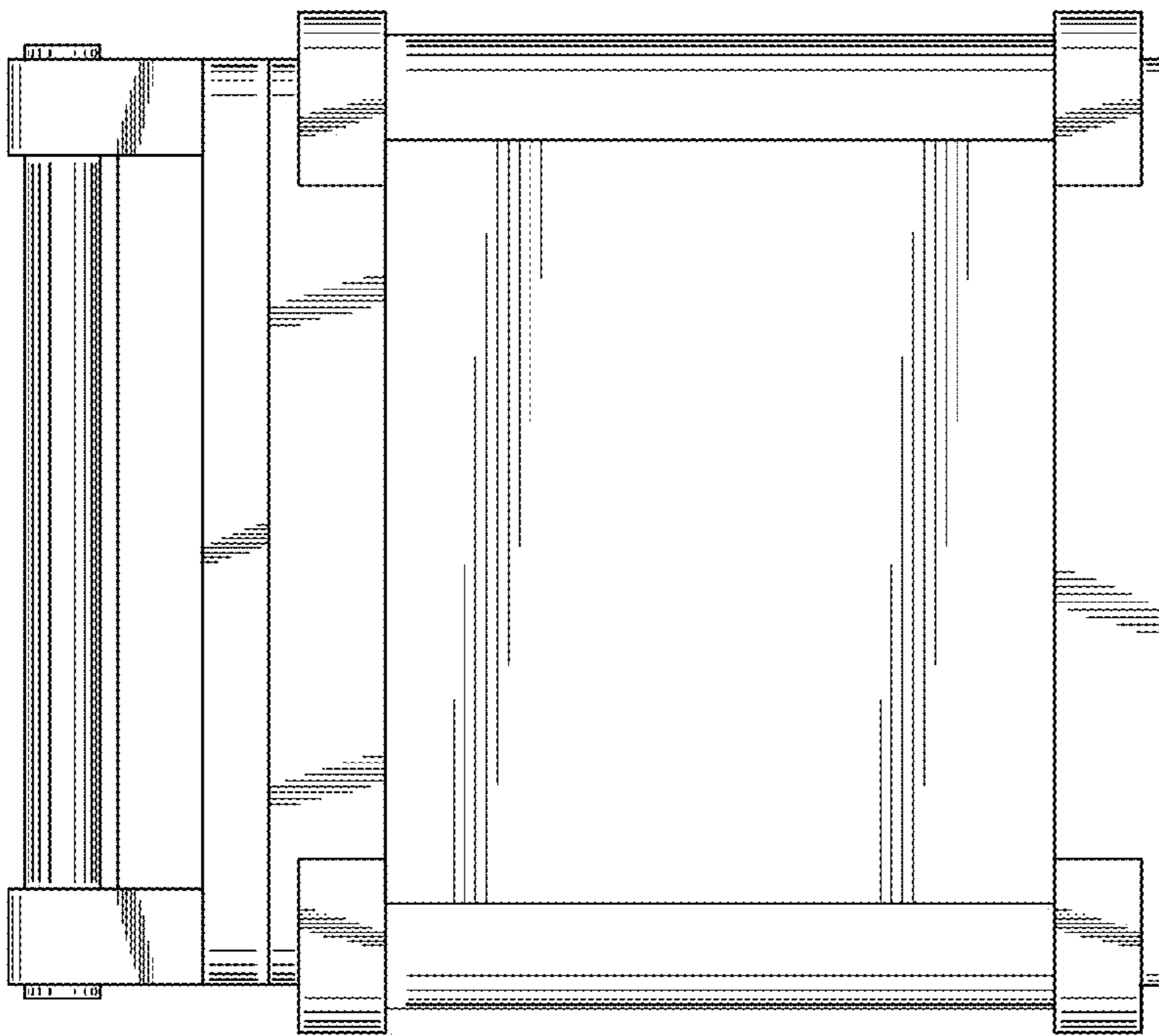


Fig. 4

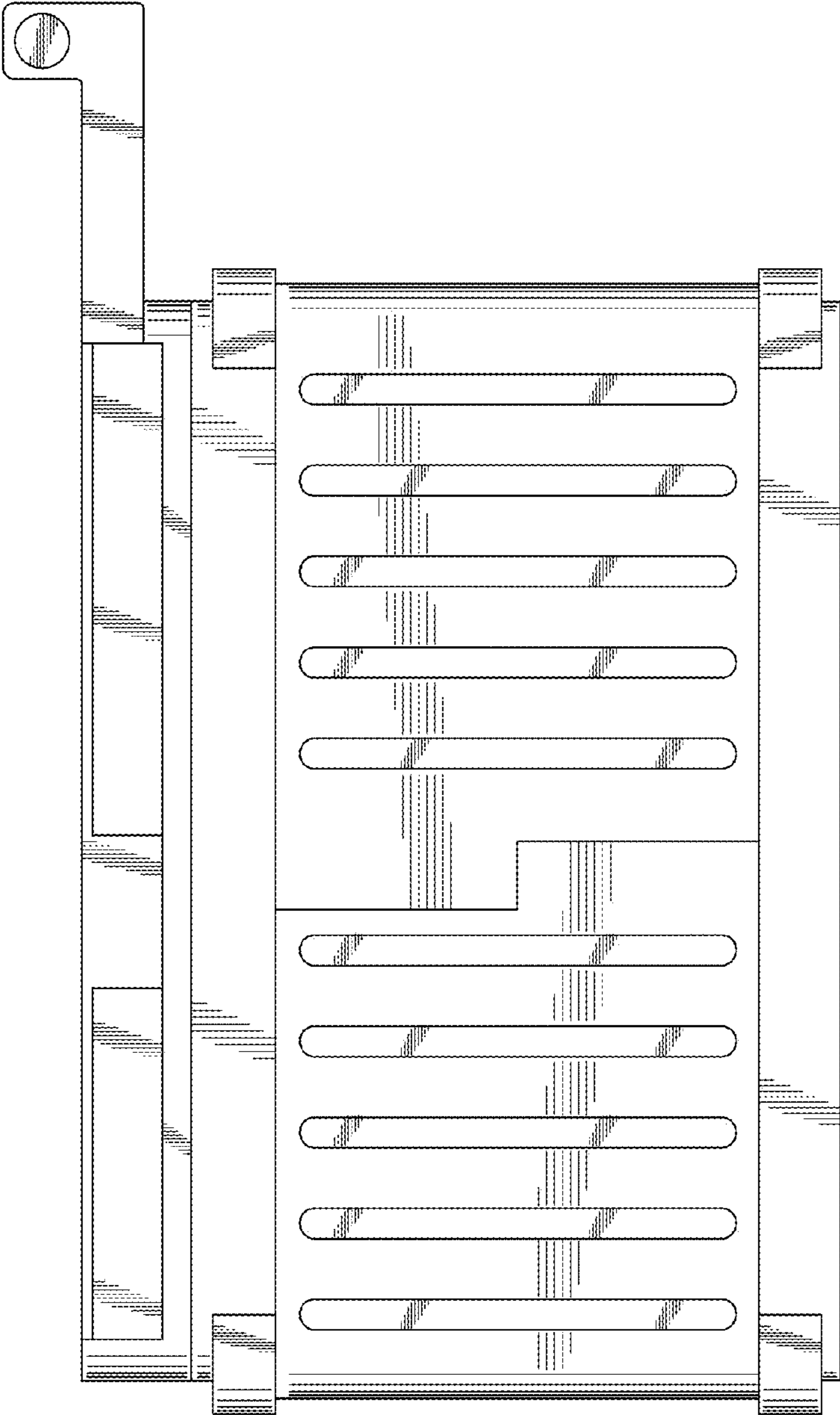


Fig. 5

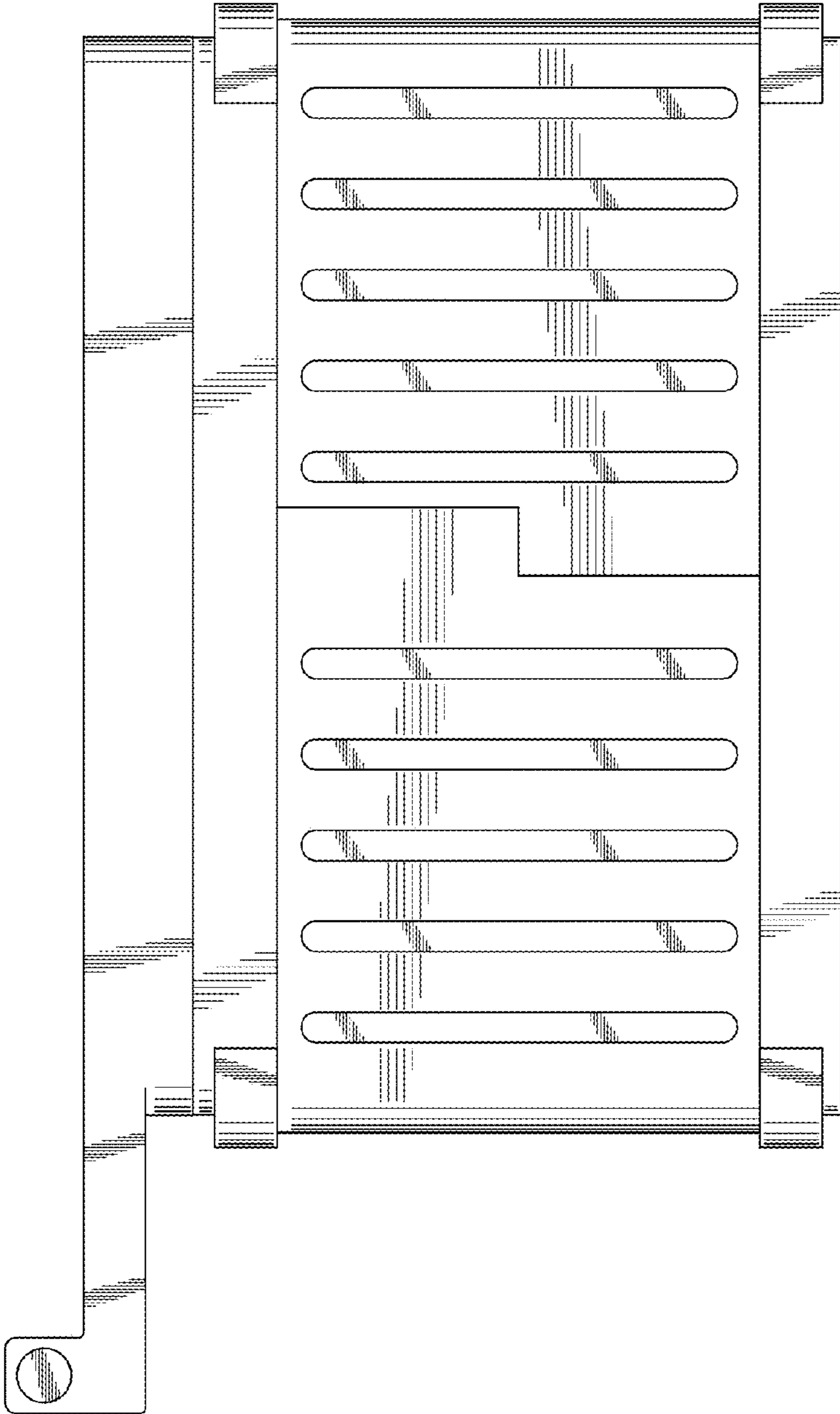


Fig. 6

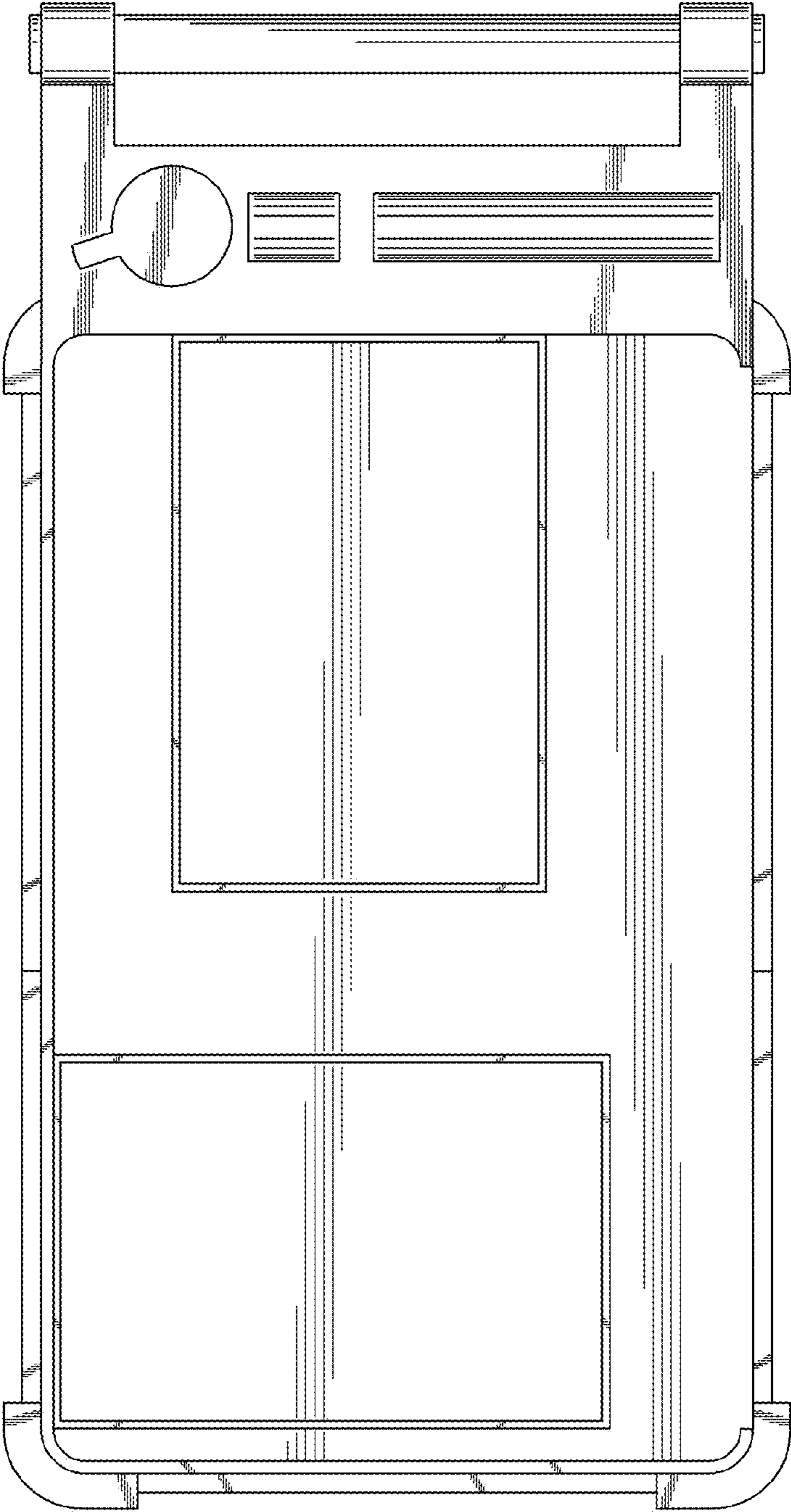


Fig. 7



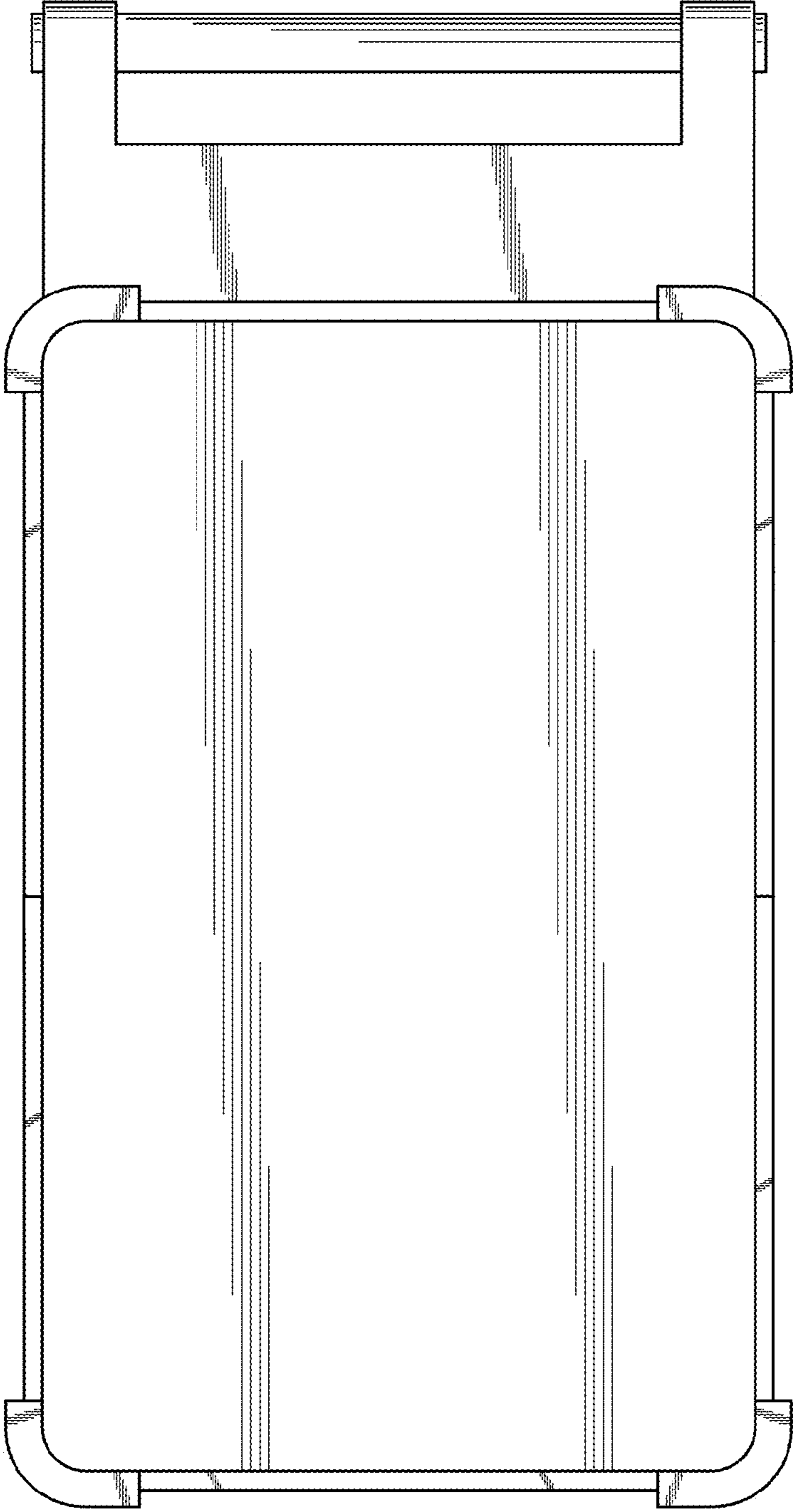


Fig. 8