



US00D747063S

(12) **United States Design Patent**  
**Hermosillo**

(10) **Patent No.:** **US D747,063 S**  
(45) **Date of Patent:** **\*\* Jan. 5, 2016**

(54) **SHOPPING CART WITH PASSENGER SEAT**

(71) Applicant: **Mary Hermosillo**, Merced, CA (US)

(72) Inventor: **Mary Hermosillo**, Merced, CA (US)

(\*\*) Term: **14 Years**

(21) Appl. No.: **29/497,560**

(22) Filed: **Jul. 25, 2014**

(51) **LOC (10) Cl.** ..... **12-02**

(52) **U.S. Cl.**  
USPC ..... **D34/14**

(58) **Field of Classification Search**  
USPC ..... D34/12-27; D12/128; 280/33.992,  
280/33.993, 33.991, 33.997, 47.34, 47.38  
CPC .... B62B 3/144; B62B 3/1448; B62B 3/1452;  
B62B 3/1444

See application file for complete search history.

(56) **References Cited**

**U.S. PATENT DOCUMENTS**

- 5,125,674 A \* 6/1992 Manuszak ..... B62B 7/12  
280/30
- D360,392 S \* 7/1995 Lewandowski ..... D12/129
- D410,312 S \* 5/1999 Liao ..... D34/15
- D452,054 S \* 12/2001 Chan ..... D34/15
- D520,705 S \* 5/2006 Bonizzato ..... D34/12
- D522,706 S \* 6/2006 Stewart ..... D34/15
- 7,311,319 B1 \* 12/2007 Ortega ..... A61H 3/04  
280/87.021
- D597,451 S \* 8/2009 Ramm ..... D12/130

- D611,394 S \* 3/2010 Santamaria ..... D12/129
- D737,534 S \* 8/2015 Kinberger ..... D34/12
- 2012/0319367 A1 \* 12/2012 Hermosillo ..... B62B 5/085  
280/33.993

\* cited by examiner

*Primary Examiner* — Cynthia Ramirez

(74) *Attorney, Agent, or Firm* — The Law Office of Jerry D. Haynes

(57) **CLAIM**

The ornamental design for a shopping cart with passenger seat, as shown.

**DESCRIPTION**

This application is a continuation in part to U.S. patent application Ser. No. 14/220,097 filed on Mar. 19, 2014, which is a continuation in part to U.S. patent application Ser. No. 12/160,926 filed on Jul. 15, 2011.

FIG. 1 depicts a perspective view of a shopping cart in accordance with the present invention.

FIG. 2 depicts a front view of the shopping cart in accordance with the present invention.

FIG. 3 depicts a rearview of the shopping cart according to the present invention.

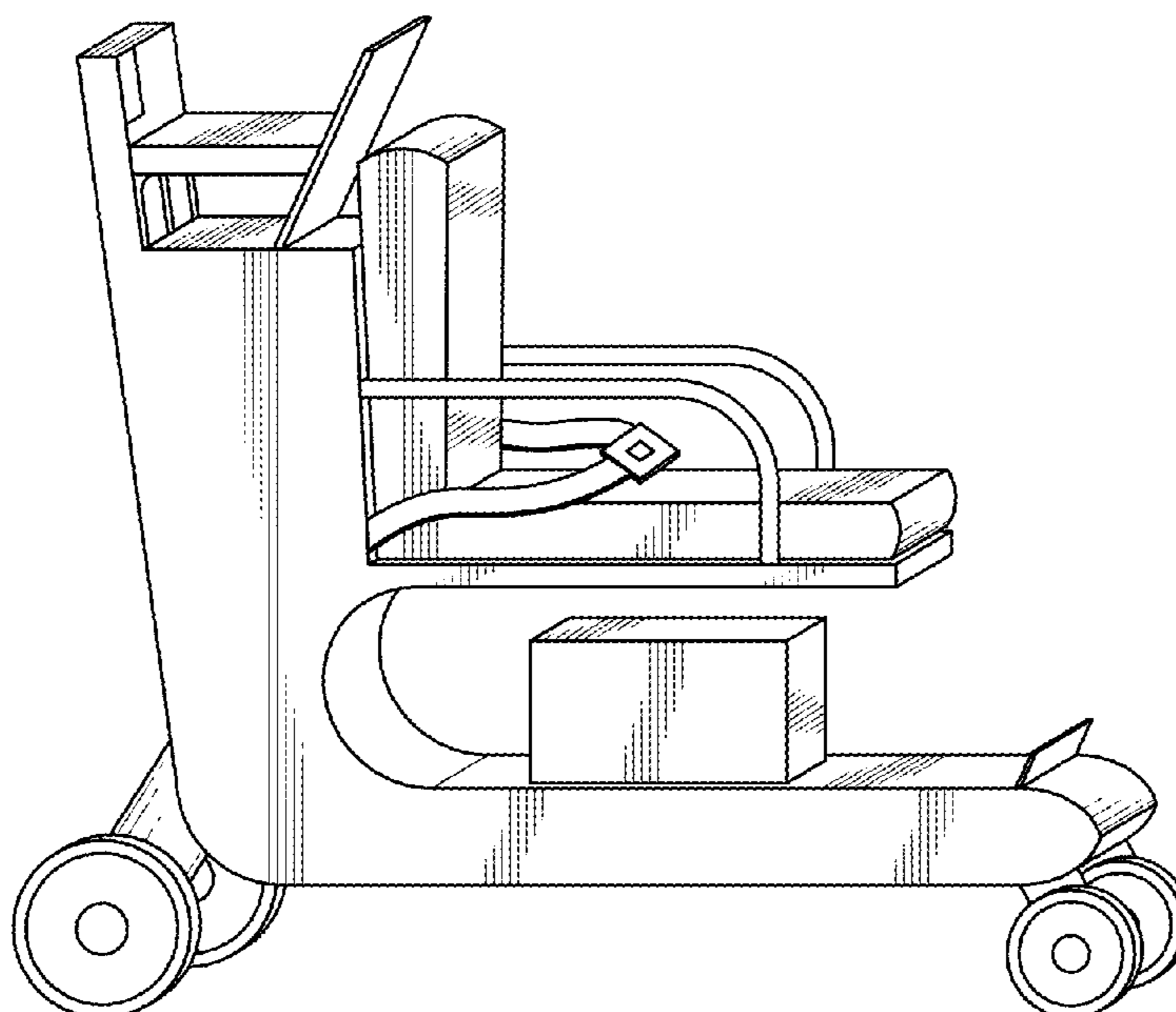
FIG. 4 depicts a first side view of the shopping cart according to the present invention.

FIG. 5 depicts a second side view of the shopping cart according to the present invention.

FIG. 6 depicts a top view of the shopping cart according to the present invention; and,

FIG. 7 depicts a bottom view of the shopping cart according to the present invention.

**1 Claim, 3 Drawing Sheets**



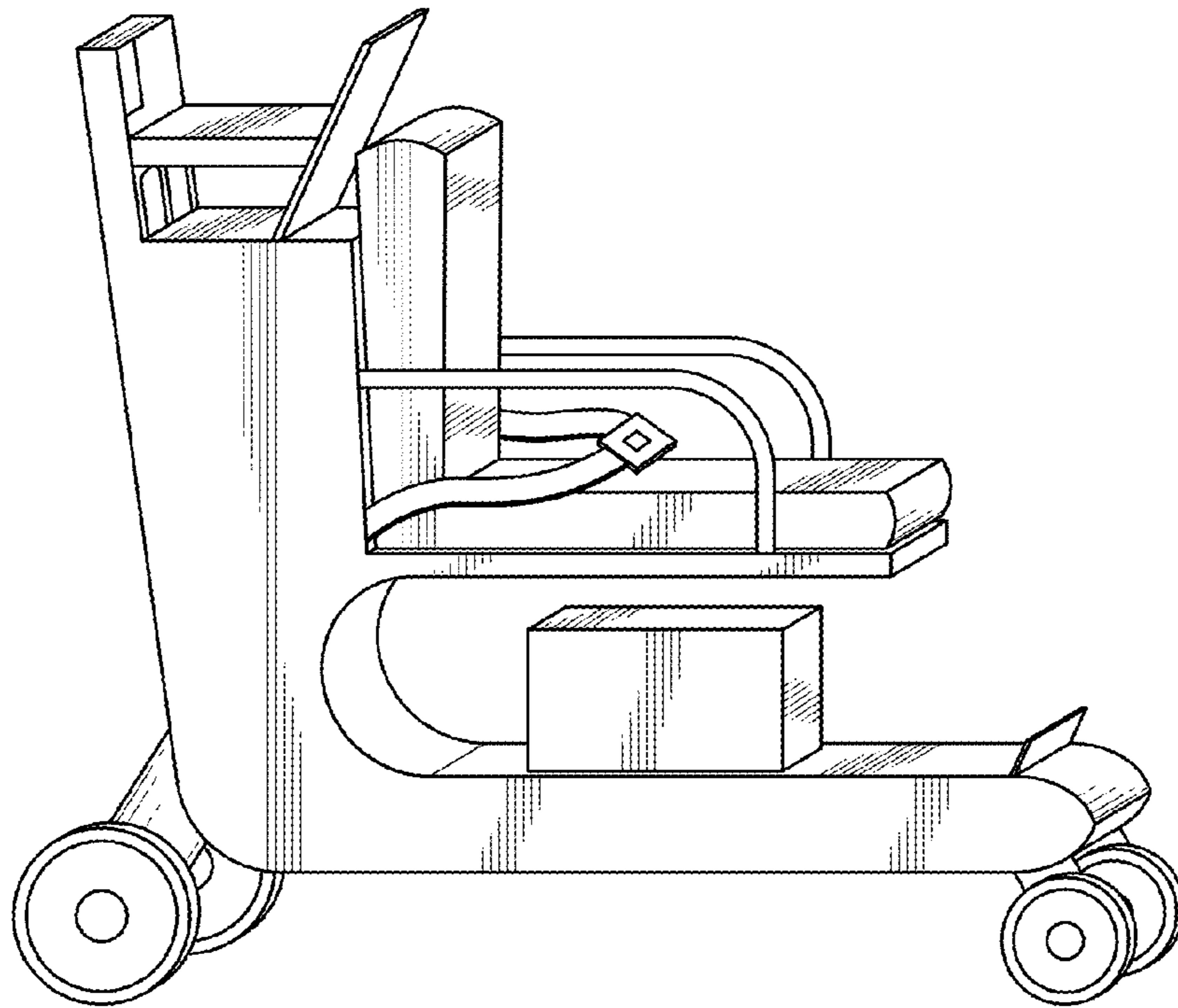


FIG. 1

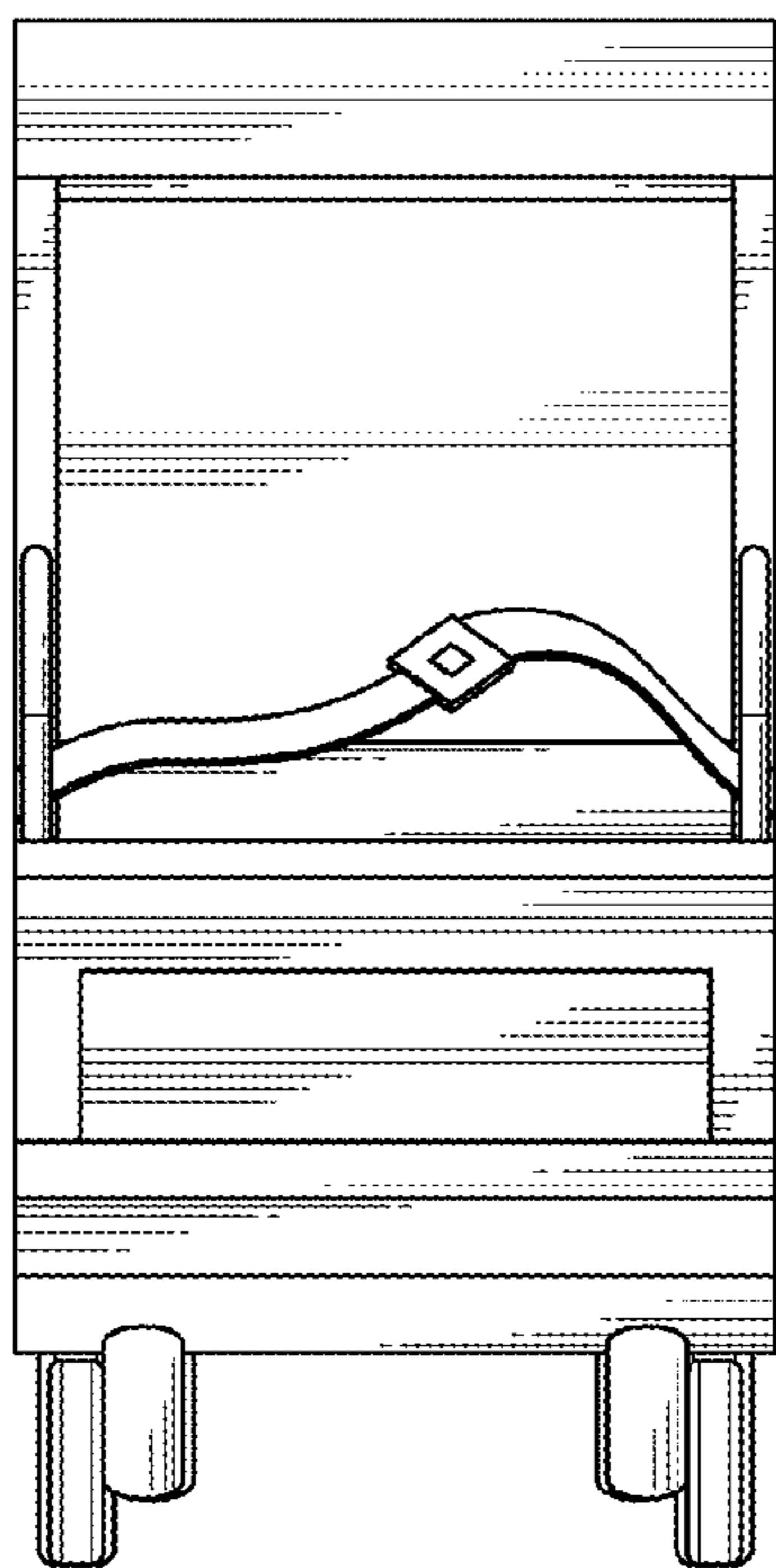


FIG. 2

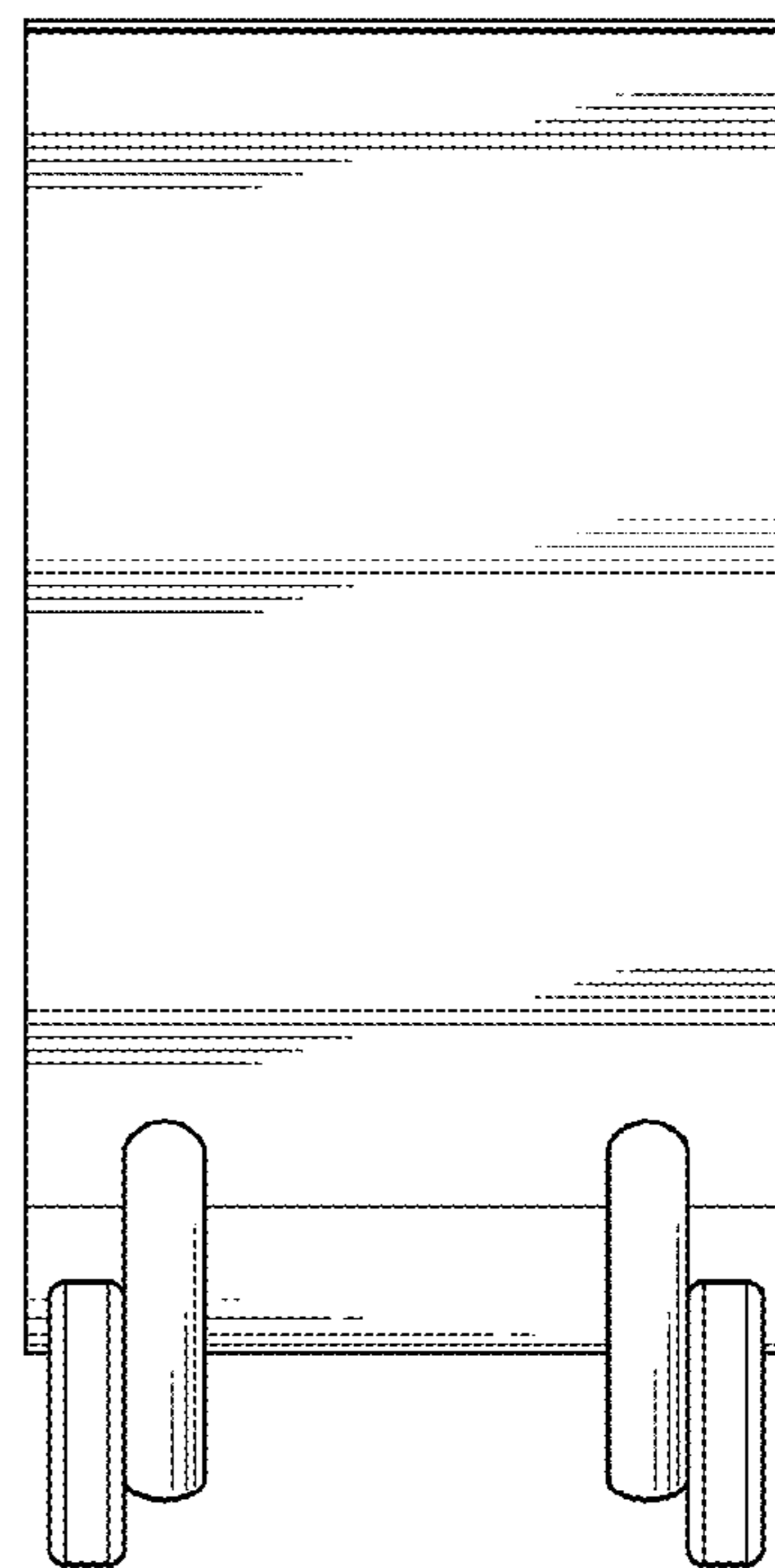


FIG. 3

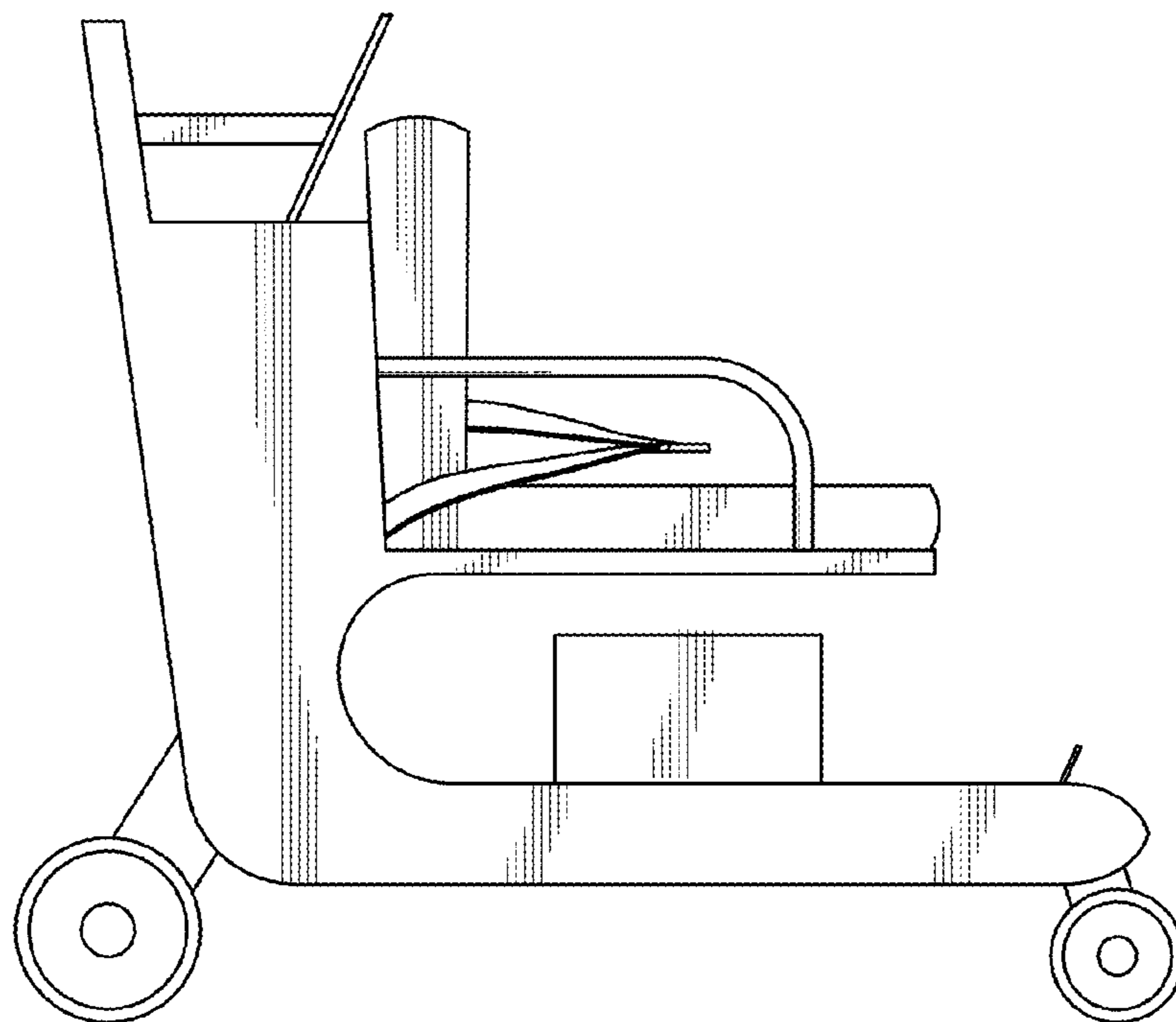


FIG. 4

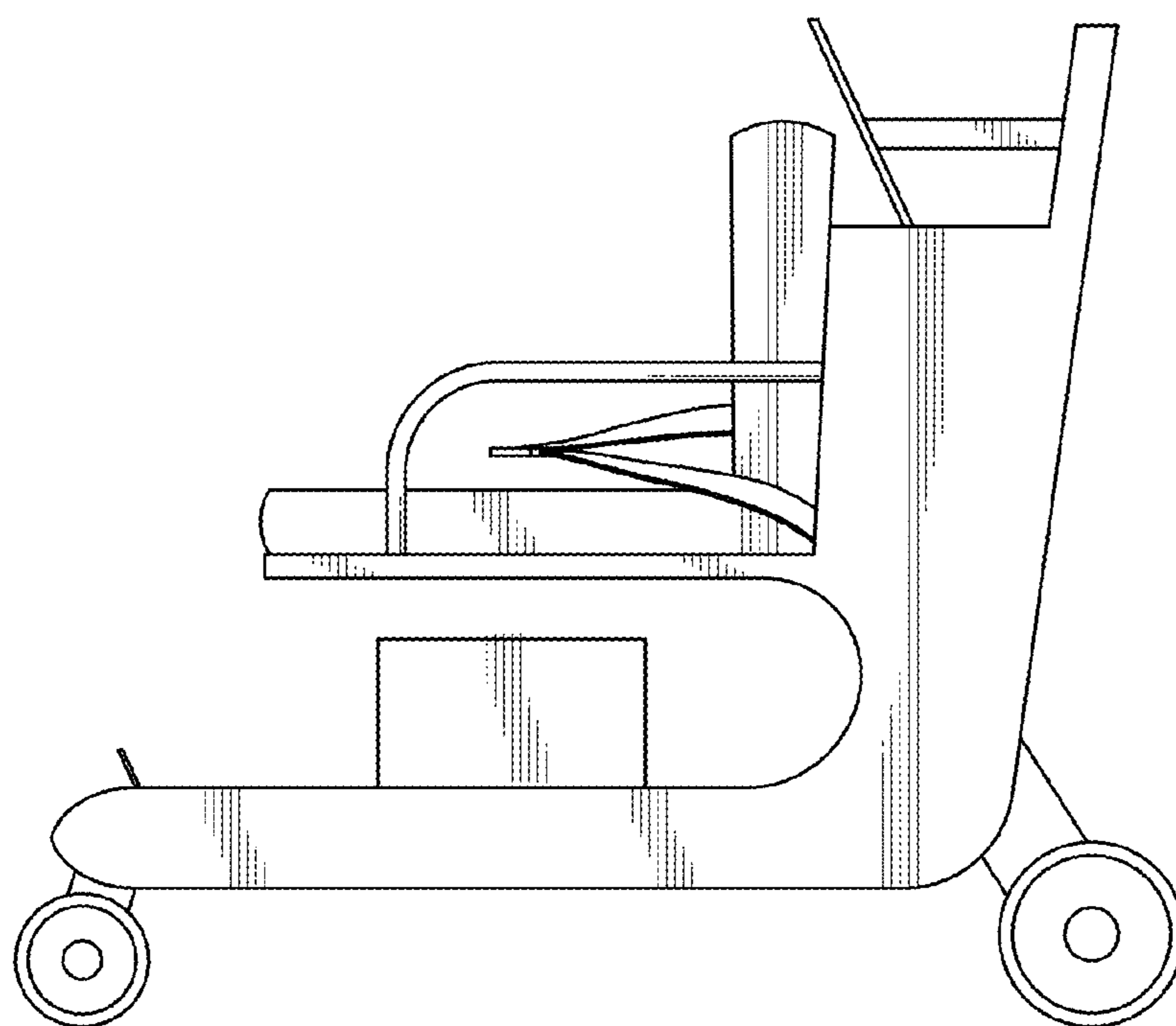


FIG. 5

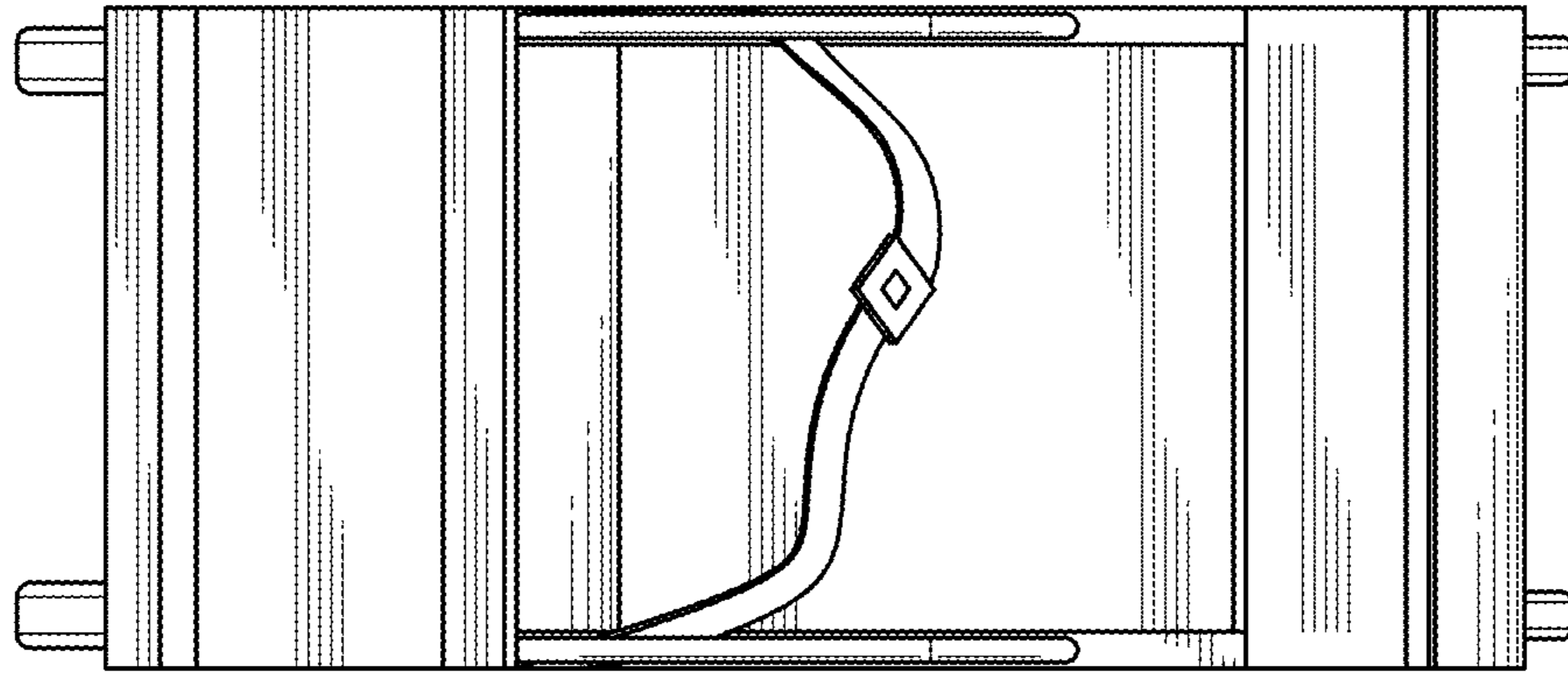


FIG. 6

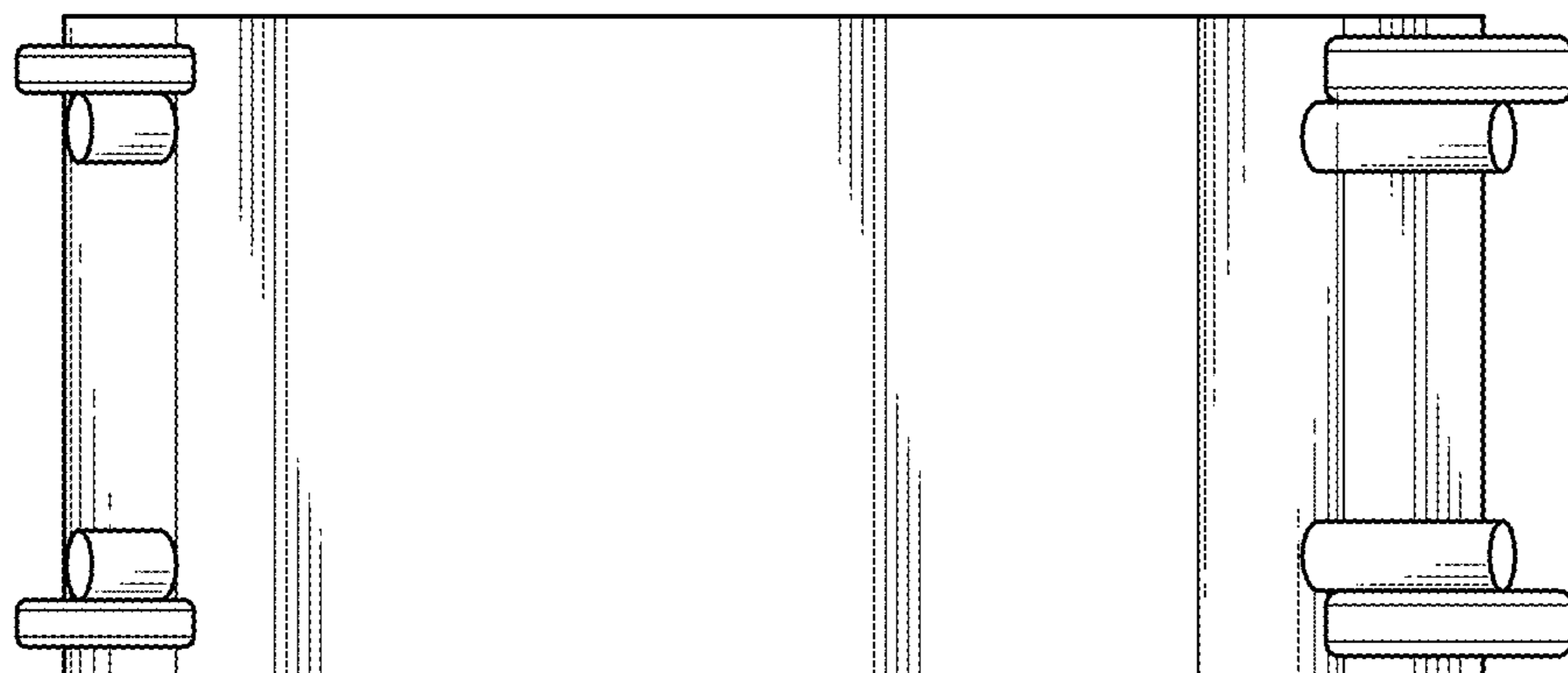


FIG. 7