



US00D747058S

(12) **United States Design Patent**
Eilmus et al.

(10) **Patent No.:** **US D747,058 S**
(45) **Date of Patent:** **** Jan. 5, 2016**

(54) **SINK ACCESSORY**

(71) Applicant: **Kohler Co.**, Kohler, WI (US)

(72) Inventors: **Niels J. Eilmus**, Sheboygan, WI (US);
Jason R. Miller, Sheboygan Falls, WI (US)

(73) Assignee: **KOHLER CO.**, Kohler, WI (US)

(**) Term: **15 Years**

(21) Appl. No.: **29/529,517**

(22) Filed: **Jun. 8, 2015**

Related U.S. Application Data

(62) Division of application No. 29/452,537, filed on Apr. 17, 2013.

(51) **LOC (10) Cl.** **07-05**

(52) **U.S. Cl.**
USPC **D32/55**

(58) **Field of Classification Search**
USPC D32/55, 276, 3, 58; D6/510, 525, 536,
D6/553, 566, 678.4, 537; D30/133;
211/41.5, 41.4, 41.3, 41.8; 361/679.4;
312/311, 333, 334.4; D7/354, 629, 631
CPC A47J 47/20; A47J 2201/00; A47J 47/00;
B65D 35/02; B65D 35/22; B65D 35/56
See application file for complete search history.

(56) **References Cited**

U.S. PATENT DOCUMENTS

477,137 A 6/1892 Mesick
D97,654 S 11/1935 Watral
D175,245 S 8/1955 Bertone
2,925,919 A 2/1960 Wilson
D194,056 S 11/1962 Chapman

D247,416 S 3/1978 Berman et al.
D268,878 S 5/1983 Taylor
D362,943 S 10/1995 Licari
5,547,087 A 8/1996 Licari

(Continued)

OTHER PUBLICATIONS

Kohler "Fixtures" Product Catalog 2011; pp. 377-383.

Primary Examiner — Austin Murphy

(74) *Attorney, Agent, or Firm* — Foley & Lardner LLP

(57) **CLAIM**

We claim the ornamental design for a sink accessory, as shown and described.

DESCRIPTION

FIG. 1 is a perspective view of an embodiment of the claimed design;

FIG. 2 is another perspective view of the design of FIG. 1;

FIG. 3 is a top plan view of the design of FIG. 1;

FIG. 4 is a bottom plan view of the design of FIG. 1;

FIG. 5 is a front plan view of the design of FIG. 1;

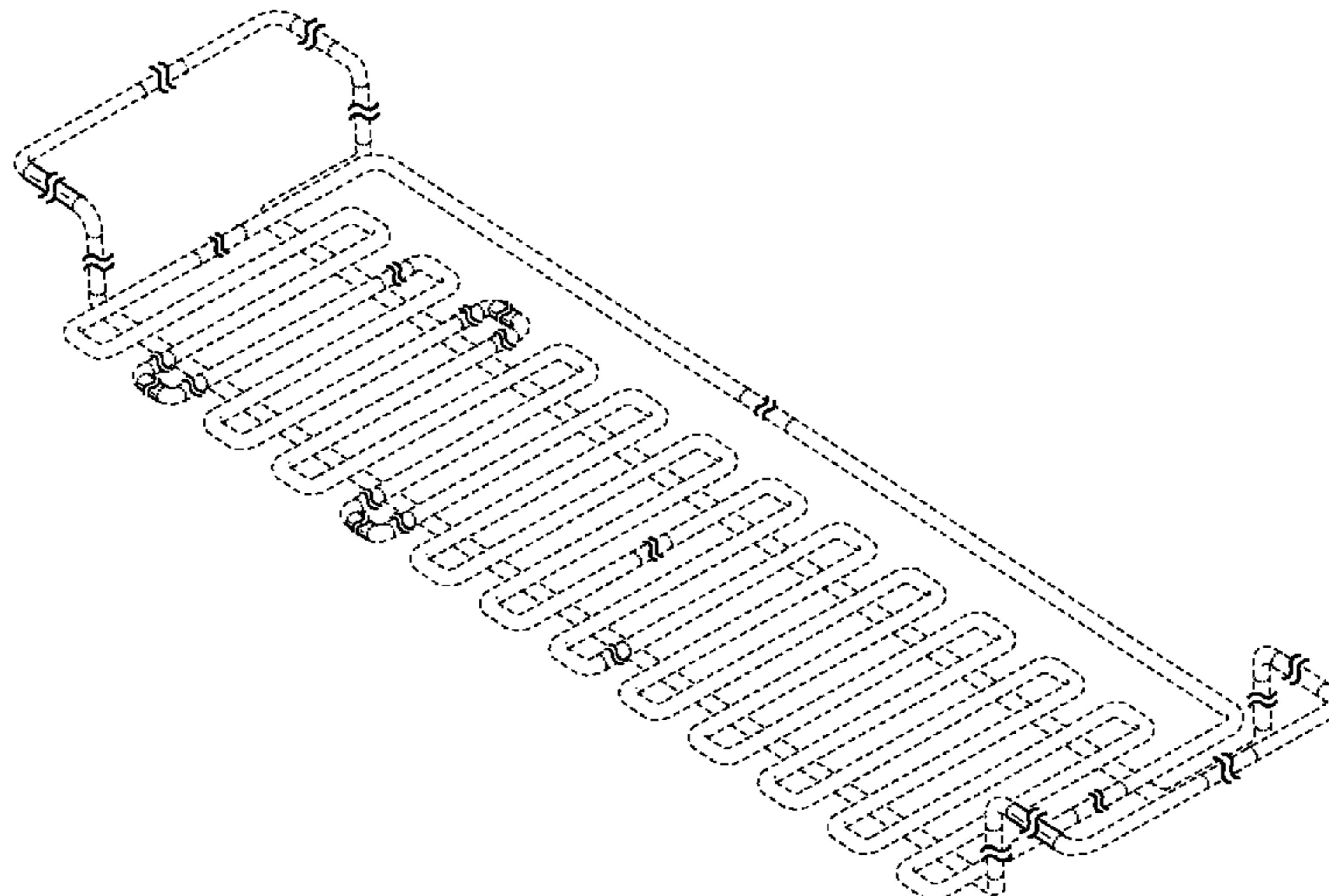
FIG. 6 is a rear plan view of the design of FIG. 1;

FIG. 7 is a right plan view of the design of FIG. 1; and,

FIG. 8 is a left plan view of the design of FIG. 1.

Portions of the sink accessory are shown with symbolic breaks in length. The appearance of any portion of the article between the break lines forms no part of the claimed design. The ornamental design which is claimed is shown in solid lines in the drawings. The broken lines in the drawings are for illustrative purposes only and form no part of the claimed design. The dash-dot lines which define the bounds of the claimed design form no part thereof. Wavy lines illustrate regions of indeterminate length.

1 Claim, 4 Drawing Sheets



(56)

References Cited

U.S. PATENT DOCUMENTS

5,865,325	A	2/1999	Comstock	D583,119	S	12/2008	Sofy et al.
D416,364	S	11/1999	Newhall	D595,914	S	7/2009	Housley
D439,716	S	3/2001	Wright	D608,112	S	1/2010	Eilmus
6,341,704	B1	1/2002	Michel	D630,396	S	1/2011	Yang et al.
D473,359	S	4/2003	Joseph	D687,610	S	8/2013	Jönsson et al.
D518,615	S	4/2006	Yang	D693,081	S	11/2013	Yang et al.
D518,936	S	4/2006	Yang	D695,982	S	12/2013	Jönsson
D520,699	S	5/2006	Yang et al.	D695,983	S	12/2013	Jönsson et al.
D554,318	S	10/2007	Yang et al.	D706,009	S	5/2014	Cooper
				2010/0275368	A1	11/2010	Miller et al.
				2011/0303626	A1	12/2011	Roenne
				2012/0266377	A1	10/2012	Eilmus

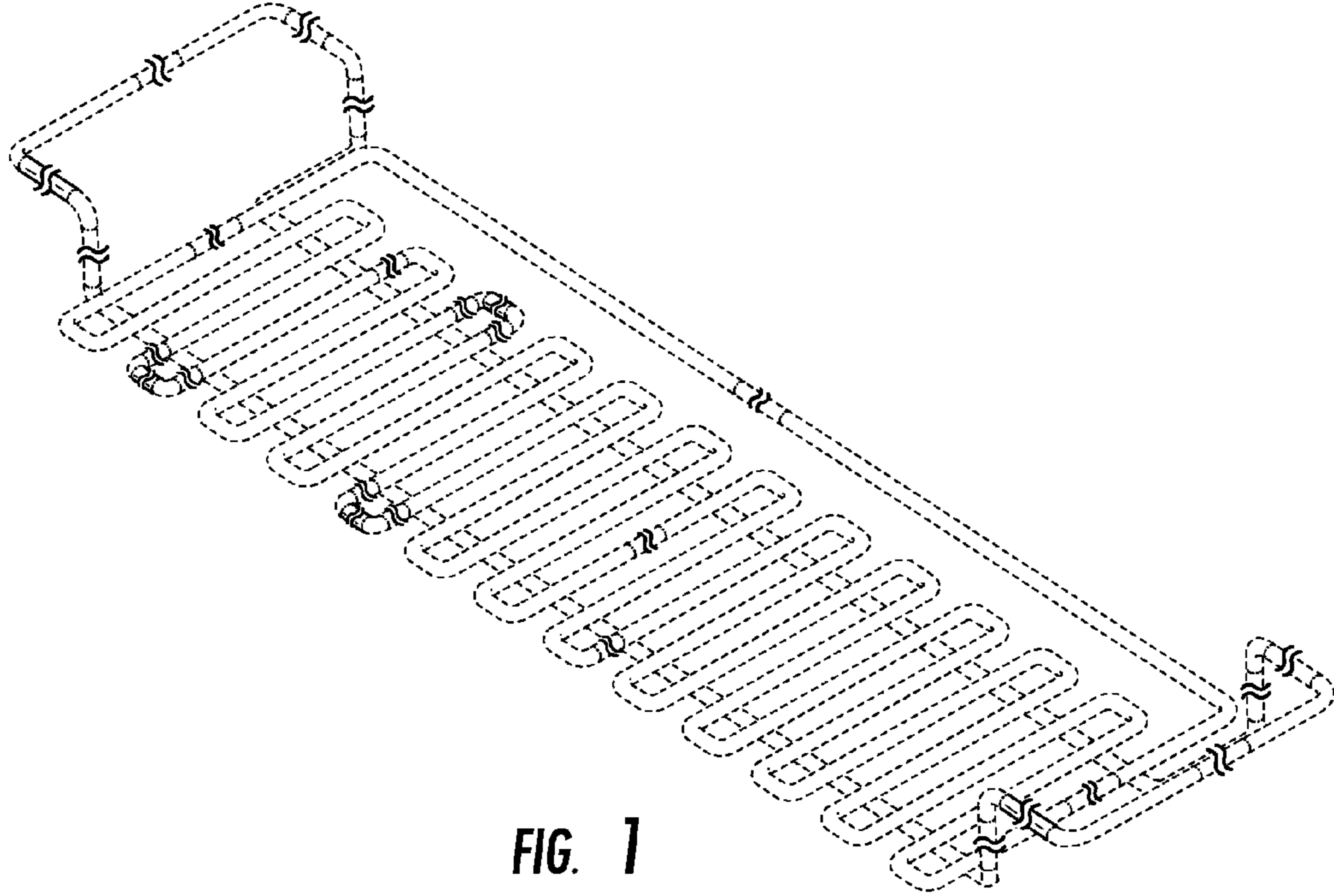


FIG. 1

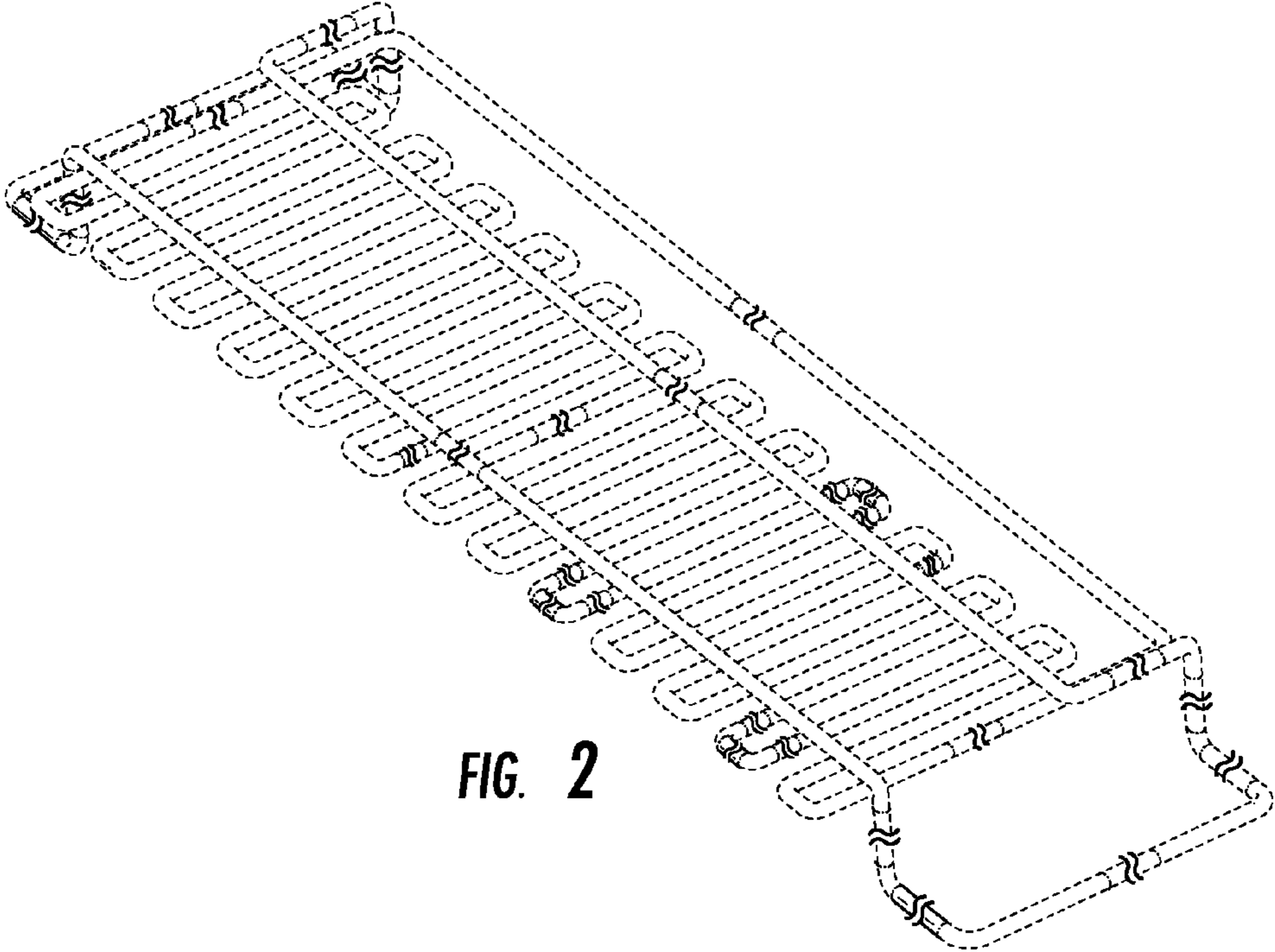


FIG. 2

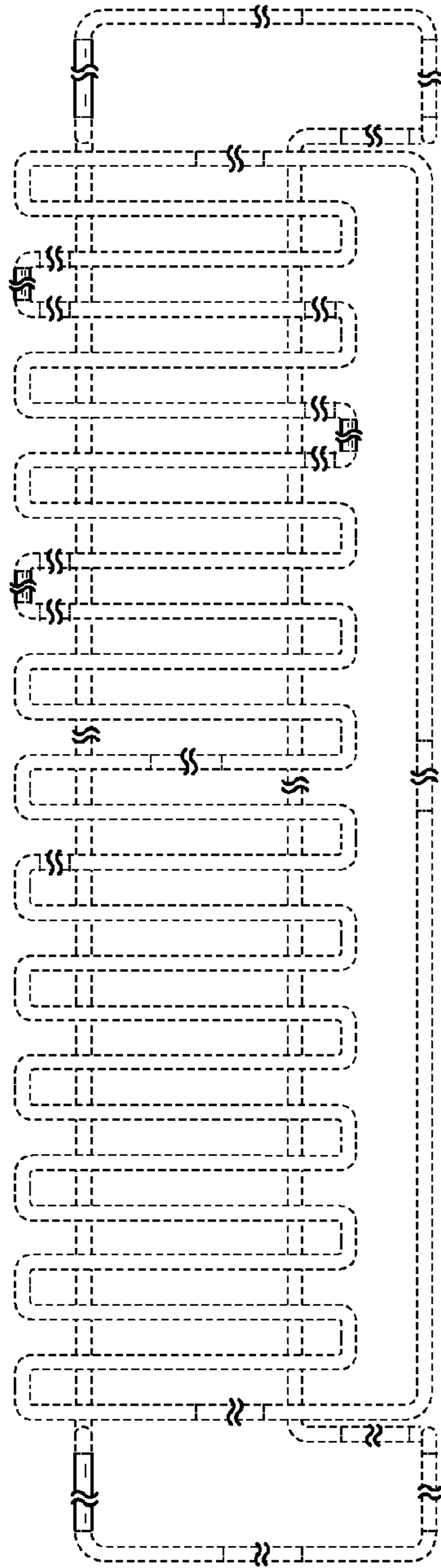


FIG. 3

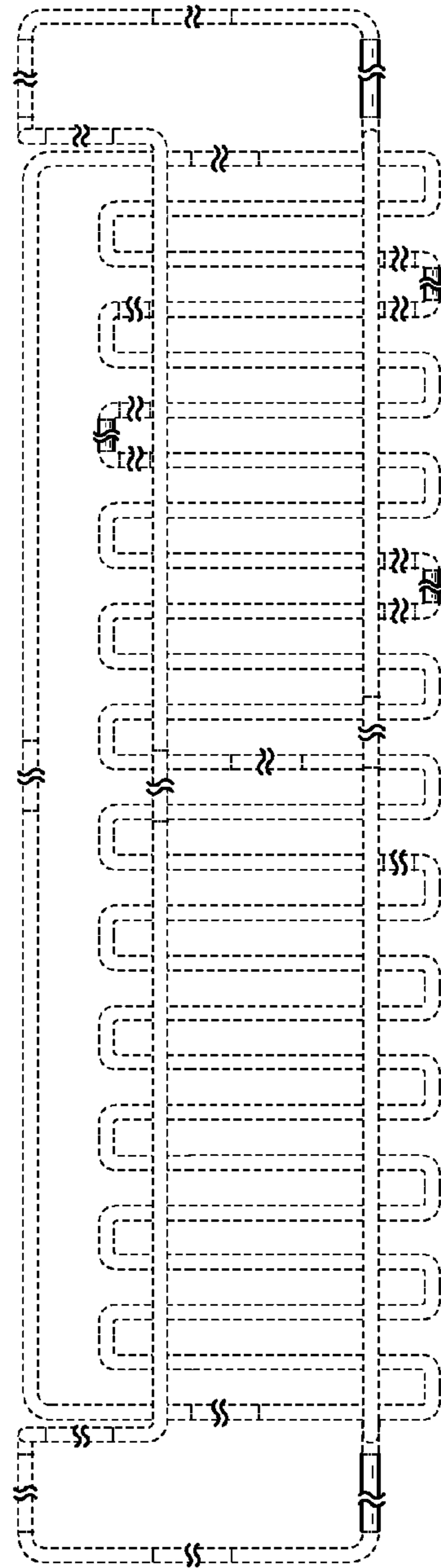


FIG. 4

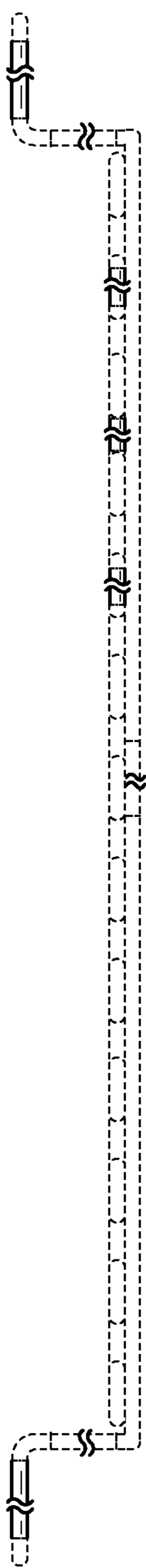


FIG. 5

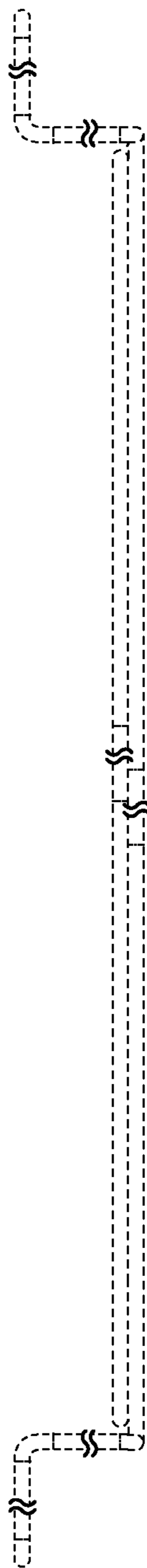


FIG. 6

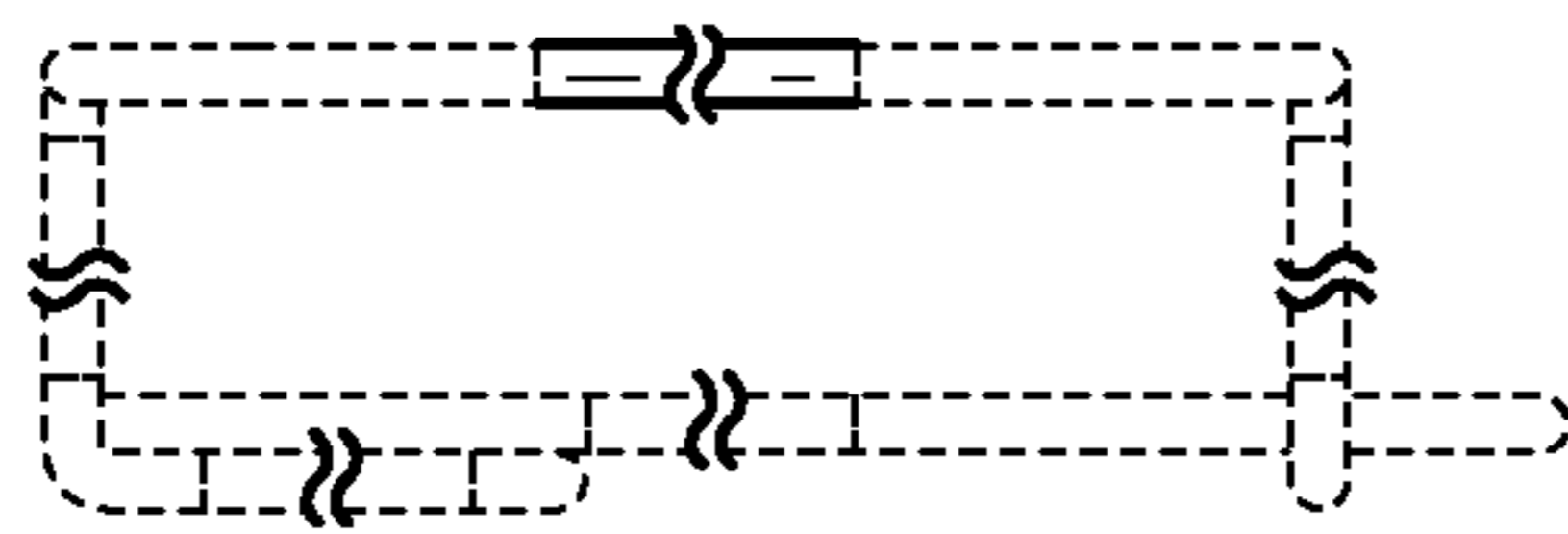


FIG. 7

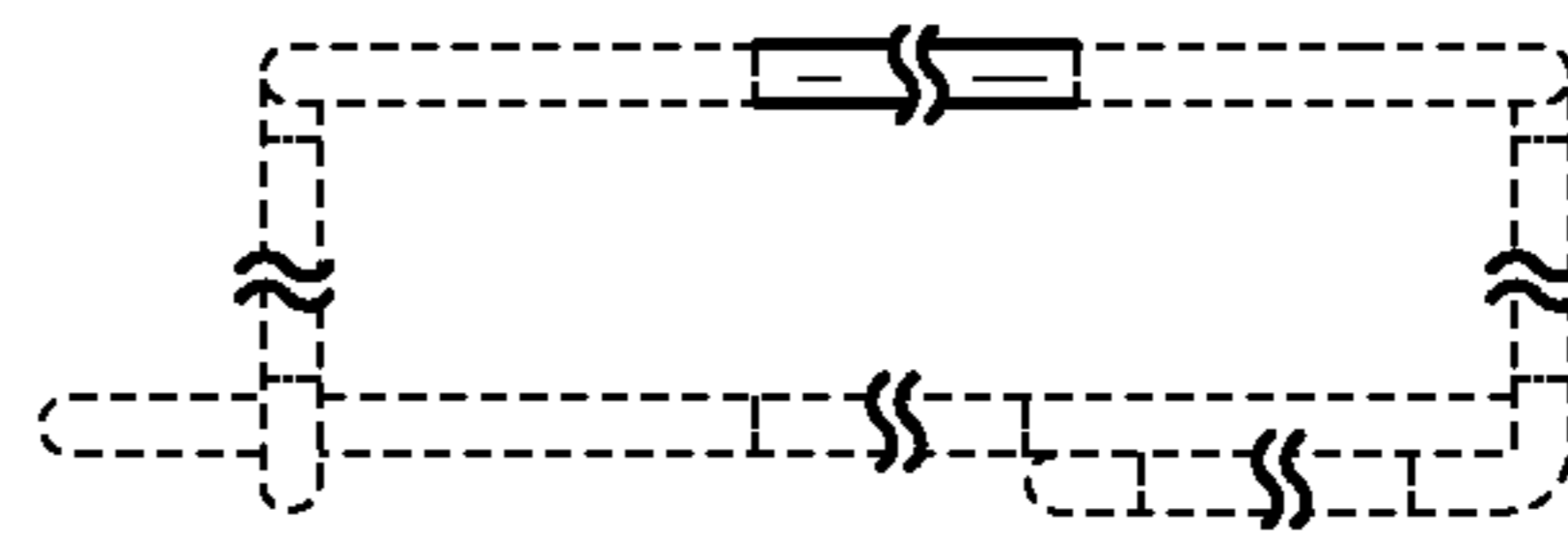


FIG. 8