



US00D747054S

(12) **United States Design Patent**
Seifts et al.

(10) **Patent No.:** **US D747,054 S**
(45) **Date of Patent:** **** Jan. 5, 2016**

(54) **SPRAY MOP**

D673,748 S * 1/2013 Snyder et al. D32/50
D685,968 S * 7/2013 Smith D32/45
8,834,053 B2 * 9/2014 Van Landingham et al. . 401/138

(71) Applicant: **Freudenberg Household Products LP**,
Aurora, IL (US)

* cited by examiner

(72) Inventors: **Joseph L. Seifts**, Naperville, IL (US);
Balaji Kandasamy, Naperville, IL (US)

Primary Examiner — Robin V Webster

(74) *Attorney, Agent, or Firm* — Leydig, Voit & Mayer, Ltd.

(73) Assignee: **Freudenberg Household Products LP**,
Aurora, IL (US)

(57) **CLAIM**

The ornamental design for a spray mop, as shown and described.

(**) Term: **14 Years**

DESCRIPTION

(21) Appl. No.: **29/496,942**

(22) Filed: **Jul. 18, 2014**

(51) **LOC (10) Cl.** **04-01**

(52) **U.S. Cl.**
USPC **D32/45**

(58) **Field of Classification Search**
USPC D32/40–45, 50; 15/119.1, 244.1, 244.4,
15/228, 210.1, 229.3, 229.4; 401/137,
401/138, 140

CPC A47L 13/24; A47L 13/20; A47L 13/22

See application file for complete search history.

(56) **References Cited**

U.S. PATENT DOCUMENTS

D515,759 S * 2/2006 Fischer D32/45
D597,717 S * 8/2009 Rosenzweig et al. D32/45
D602,218 S * 10/2009 Koenig et al. D32/40
D656,283 S * 3/2012 Lavy D32/45
D658,835 S * 5/2012 Houghton D32/45
D673,337 S * 12/2012 Chow D32/45

FIG. 1 is a perspective view taken from the front and right side of a spray mop showing a first configuration of our new design.

FIG. 2 is a right side elevation view of the spray mop of FIG. 1 in the first configuration.

FIG. 3 is a left side elevation view of the spray mop of FIG. 1 in the first configuration.

FIG. 4 is a front view of the spray mop of FIG. 1 in the first configuration.

FIG. 5 rear view of the spray mop of FIG. 1 in the first configuration.

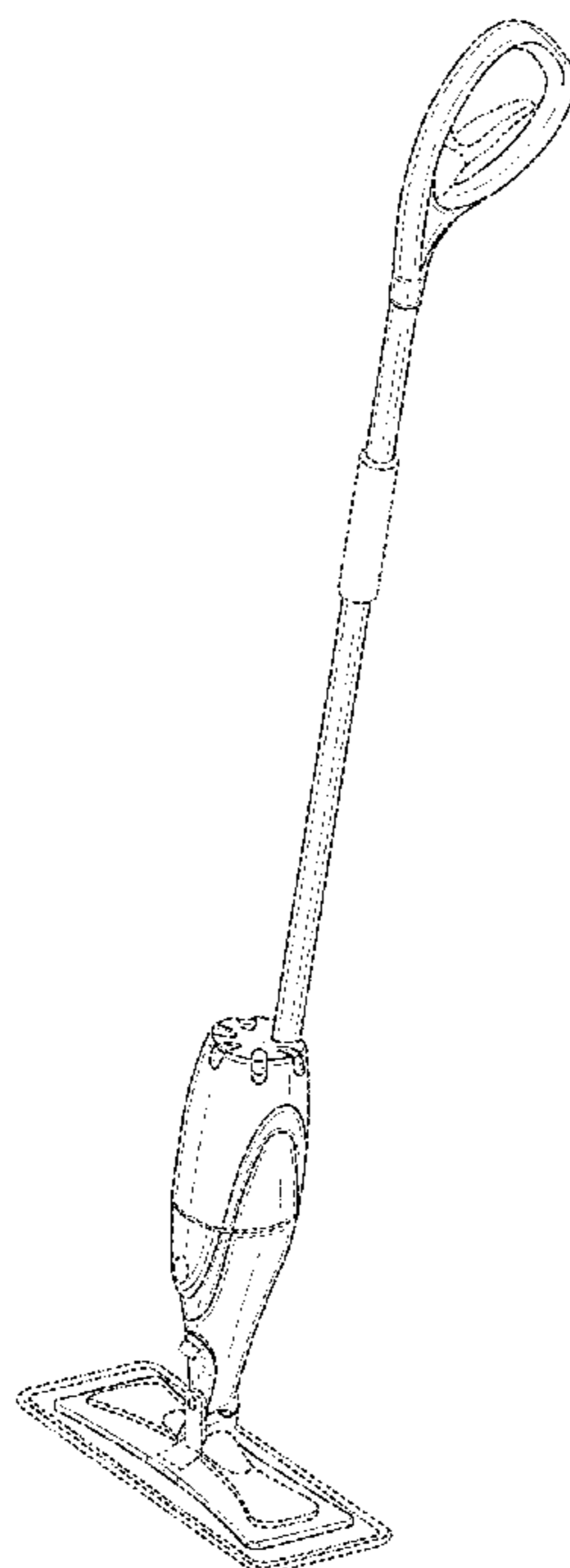
FIG. 6 is a top view of the spray mop of FIG. 1 in the first configuration.

FIG. 7 is a bottom view of the spray mop of FIG. 1 in the first configuration; and,

FIG. 8 is bottom view of the spray mop of FIG. 1 in a second configuration.

The broken lines shown represent unclaimed subject matter and form no part of the claimed design.

1 Claim, 7 Drawing Sheets



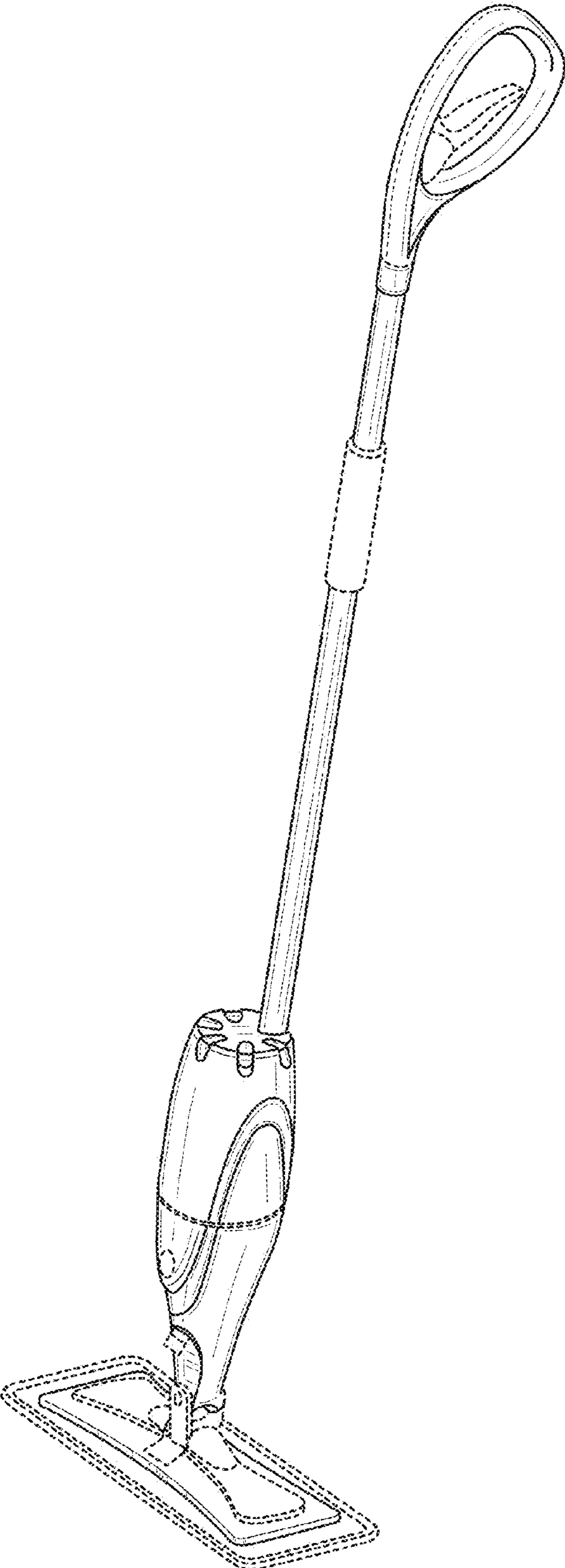


FIG. 1

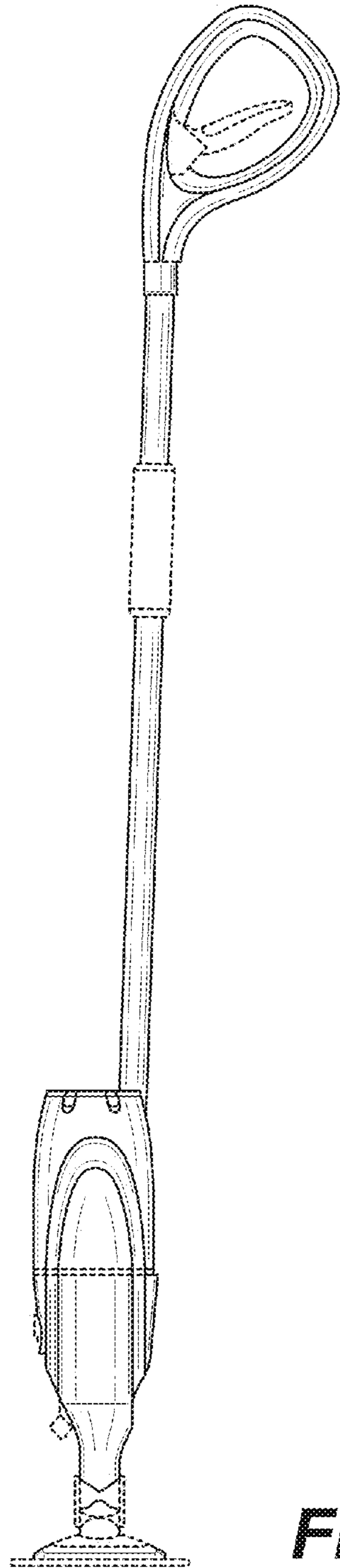


FIG. 2

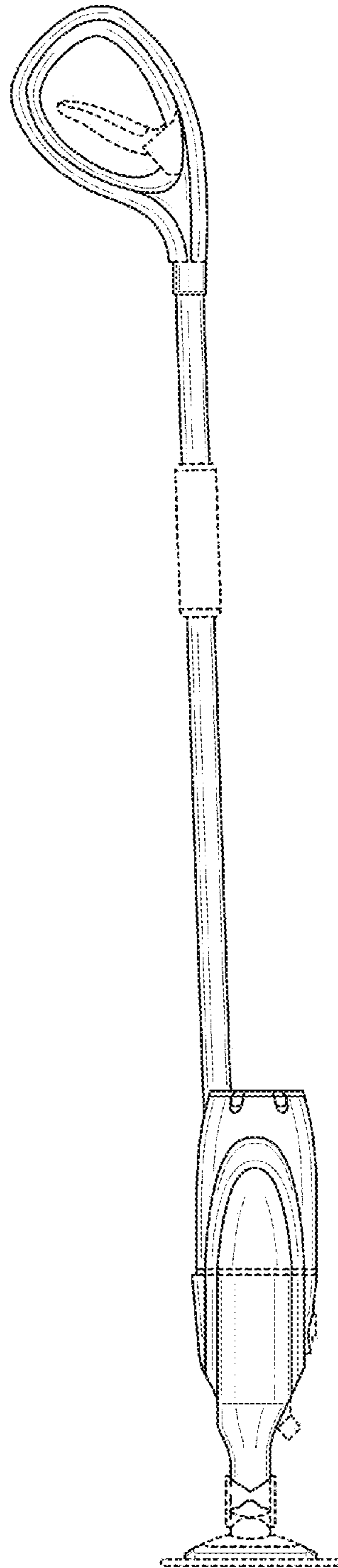


FIG. 3

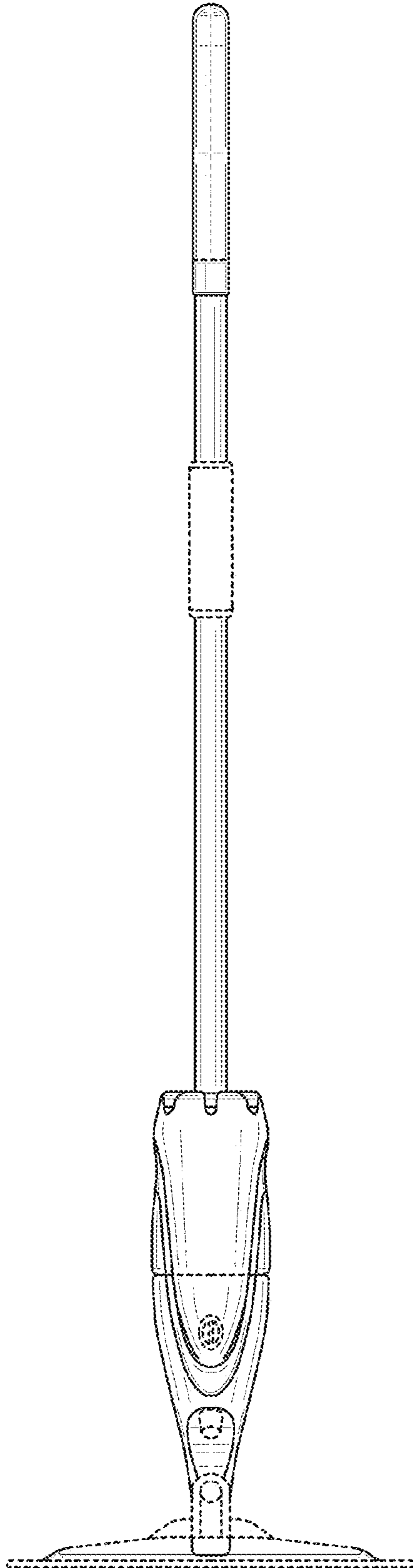


FIG. 4

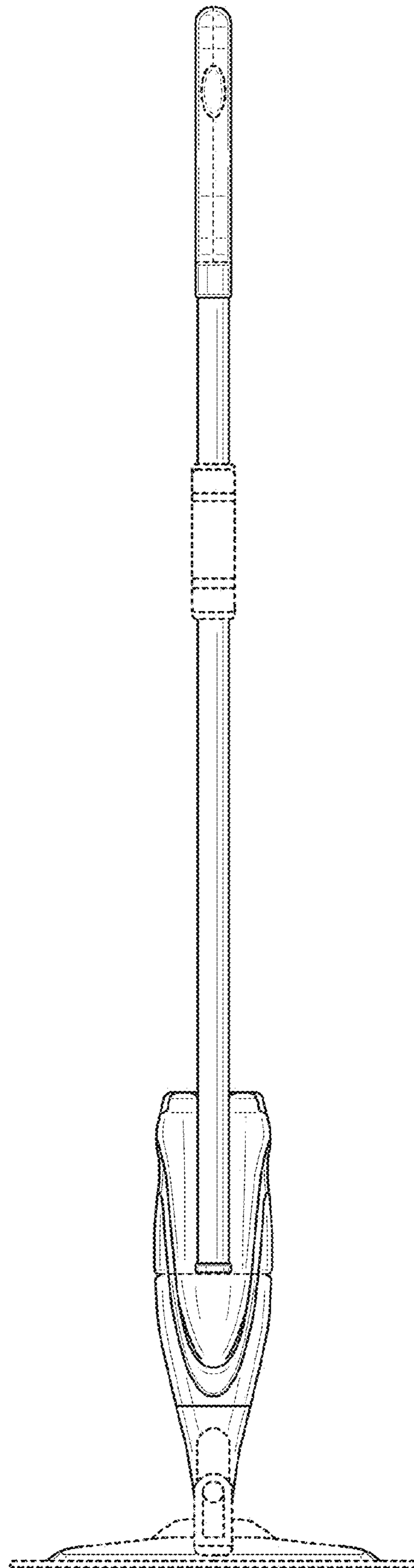


FIG. 5

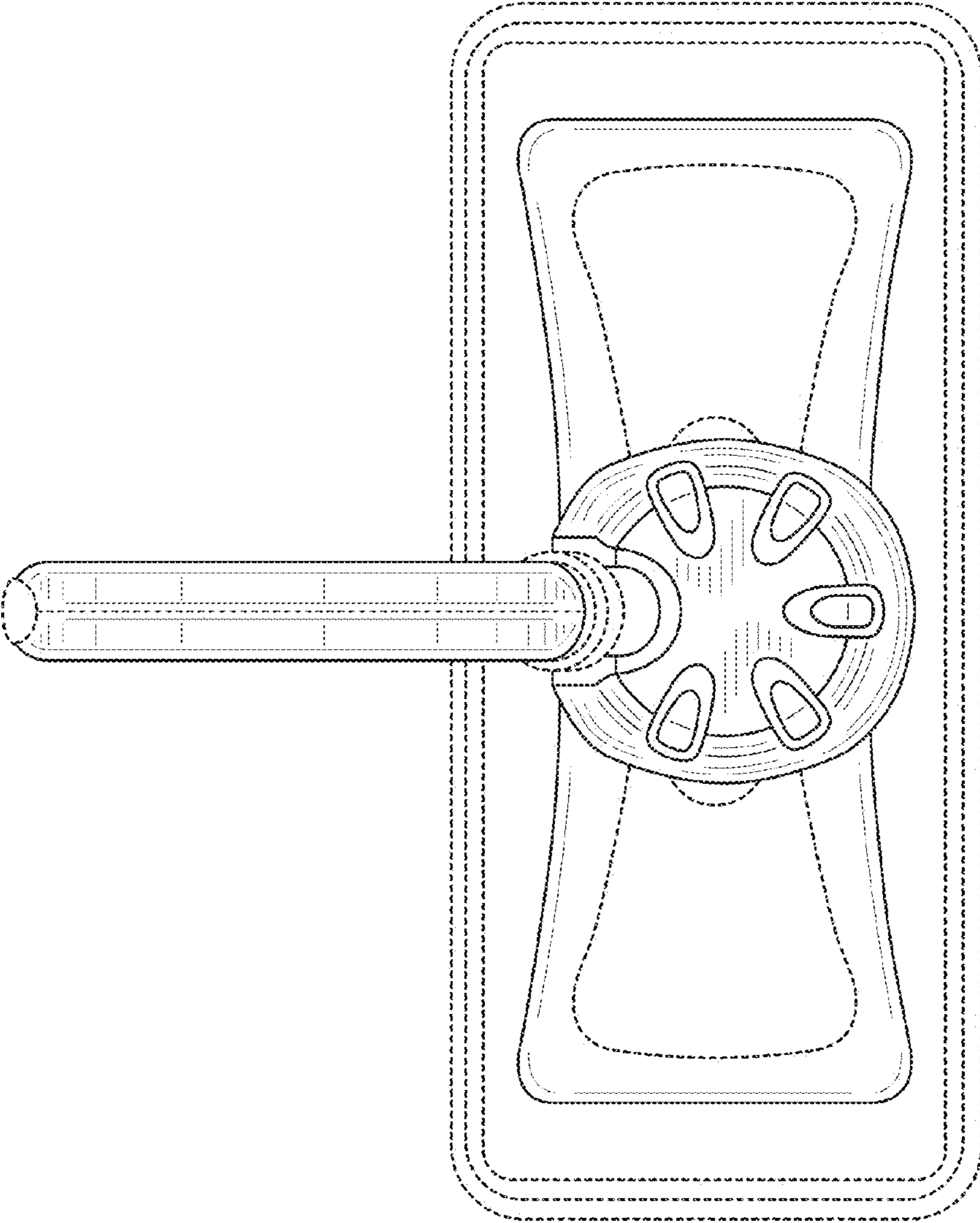


FIG. 6

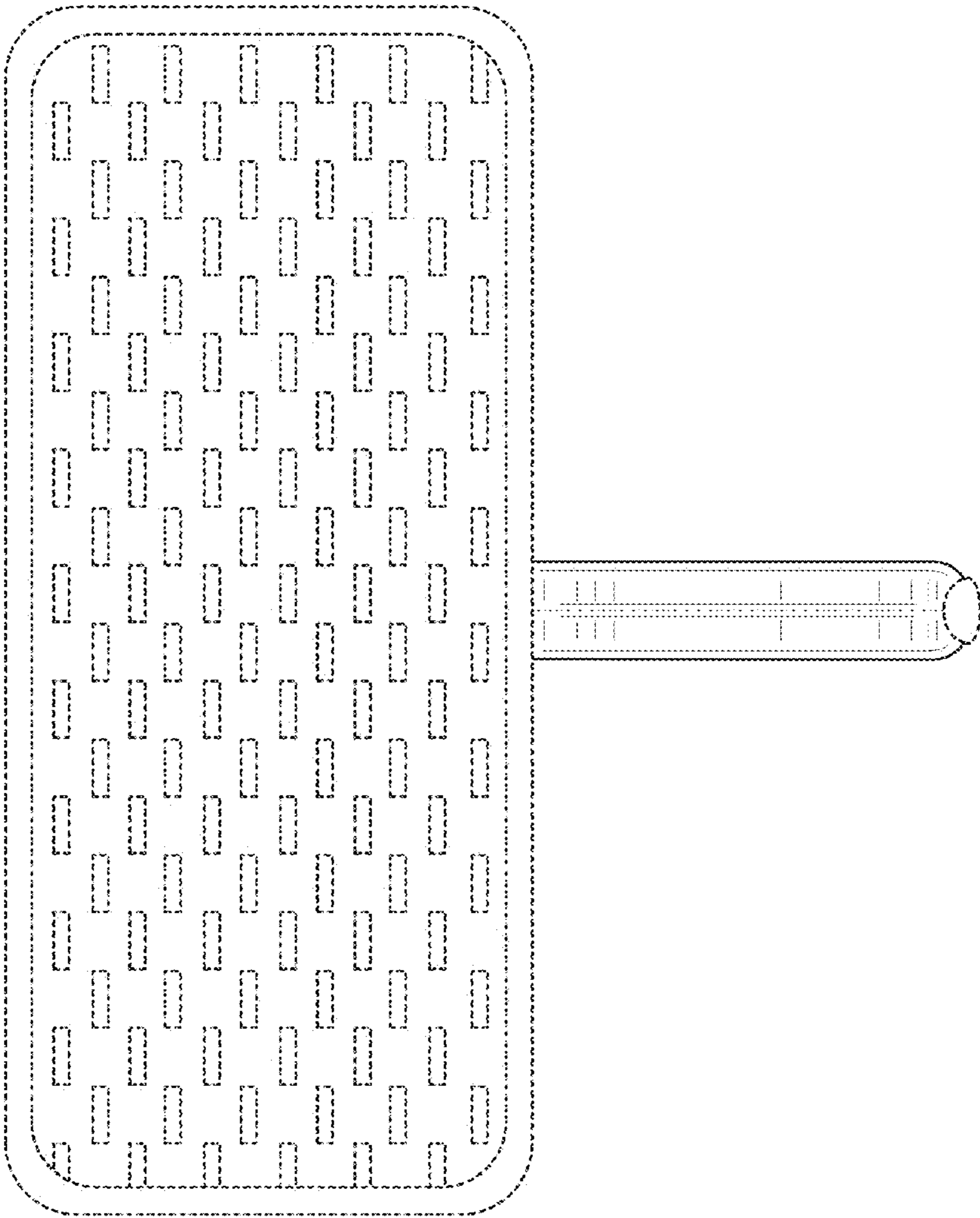


FIG. 7

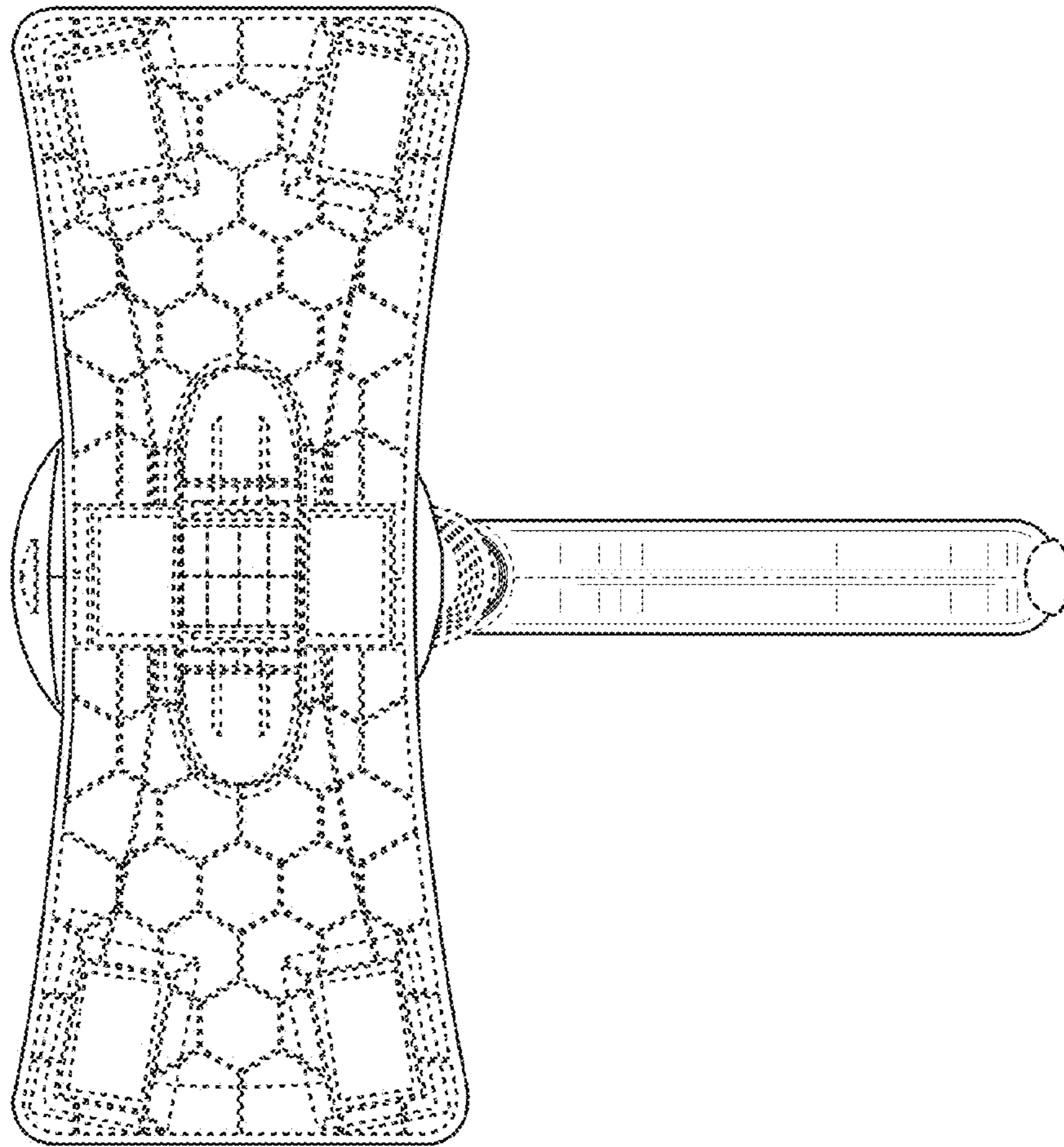


FIG. 8