

US00D747052S

(12) **United States Design Patent**
Therrien

(10) **Patent No.:** **US D747,052 S**
(45) **Date of Patent:** **** Jan. 5, 2016**

- (54) **VACUUM ROLLER**
- (71) Applicant: **iRobot Corporation**, Bedford, MA (US)
- (72) Inventor: **Richard Joseph Therrien**, Duxbury, MA (US)
- (73) Assignee: **iRobot Corporation**, Bedford, MA (US)
- (**) Term: **14 Years**
- (21) Appl. No.: **29/520,401**
- (22) Filed: **Mar. 13, 2015**

Related U.S. Application Data

- (62) Division of application No. 29/470,255, filed on Oct. 18, 2013, now Pat. No. Des. 728,877.
- (51) **LOC (10) Cl.** **15-05**
- (52) **U.S. Cl.**
USPC **D32/31**
- (58) **Field of Classification Search**
USPC D32/31-34, 21, 23-24
CPC A47L 9/02; A47L 9/06; A47L 11/4044;
A47L 7/0038; A47L 5/30; A47L 11/33;
A47L 11/34; A47L 5/28; A46B 13/006;
A46B 2200/1066; A46B 9/06; A46B 13/005
See application file for complete search history.

References Cited

U.S. PATENT DOCUMENTS

D125,786	S	*	3/1941	Schaad	D32/31
D222,702	S	*	12/1971	Schaefer et al.	D32/31
4,307,479	A	*	12/1981	Mertes et al.	15/182
4,777,691	A	*	10/1988	Richmond et al.	15/182
5,251,355	A	*	10/1993	Drumm	15/182
5,452,490	A	*	9/1995	Brundula et al.	15/182
5,495,634	A	*	3/1996	Brundula et al.	15/182
6,108,853	A	*	8/2000	Dittus	15/179
D431,698	S	*	10/2000	Hoshide et al.	D32/31
D471,332	S	*	3/2003	Haegermarck et al.	D32/31

6,530,106	B1	*	3/2003	Brundula	15/182
6,539,575	B1	*	4/2003	Cohen	15/179
6,564,417	B2	*	5/2003	Porat	15/179
6,574,823	B1	*	6/2003	Stegens	15/182
D478,698	S	*	8/2003	Mertes et al.	D32/31
D518,258	S	*	3/2006	Hamm et al.	D32/31
D647,265	S	*	10/2011	Follows et al.	D32/31
8,387,193	B2	*	3/2013	Ziegler et al.	15/50.1
D680,287	S	*	4/2013	Morgan et al.	D32/31
D680,289	S	*	4/2013	Gray et al.	D32/31
D681,291	S	*	4/2013	Morgan et al.	D32/31
D699,010	S	*	2/2014	Gilbert, Jr.	D32/31
2006/0053584	A1	*	3/2006	Dever	15/383
2006/0236500	A1	*	10/2006	Oh et al.	15/366
2008/0244852	A1	*	10/2008	Alton	15/179
2008/0307597	A1	*	12/2008	Davidshofer et al.	15/182
2011/0162160	A1	*	7/2011	Whittaker	15/236.1
2012/0079670	A1	*	4/2012	Yoon et al.	15/319
2012/0090126	A1	*	4/2012	Kim et al.	15/319
2013/0205520	A1	*	8/2013	Kapoor et al.	15/52.1

* cited by examiner

Primary Examiner — Ruth McInroy

(74) *Attorney, Agent, or Firm* — Honigman Miller Schwartz and Cohn LLP

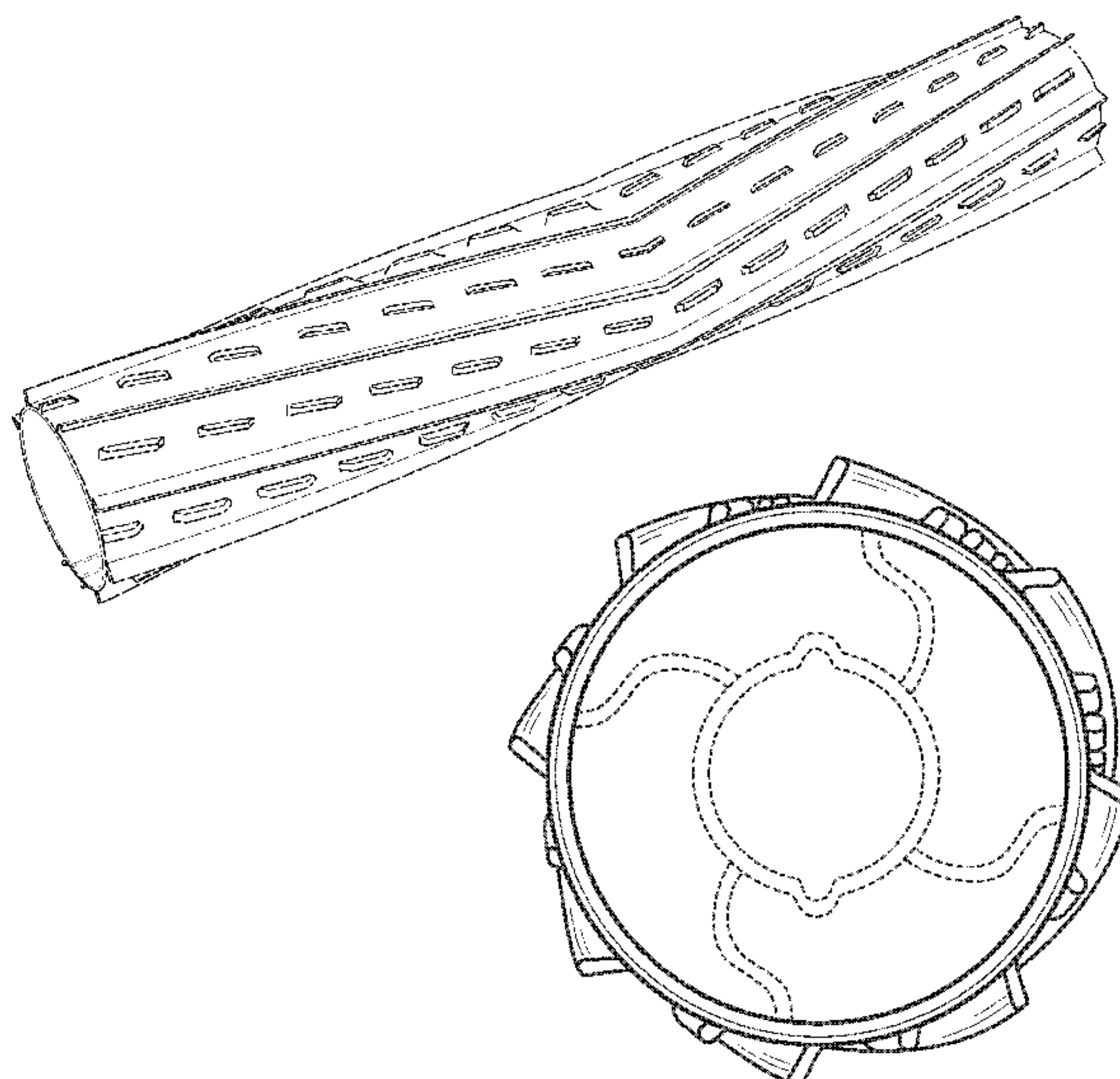
(57) **CLAIM**

The ornamental design for a vacuum roller, as shown and described.

DESCRIPTION

FIG. 1 is a perspective view of a vacuum roller, showing my new design;
 FIG. 2 is a top view thereof;
 FIG. 3 is a front view thereof;
 FIG. 4 is a back view thereof;
 FIG. 5 is a bottom view thereof;
 FIG. 6 is an enlarged left side thereof; and,
 FIG. 7 is an enlarged right side view thereof.
 The dashed lines in the drawing views depict portions of the design that form no part of the claim.

1 Claim, 7 Drawing Sheets



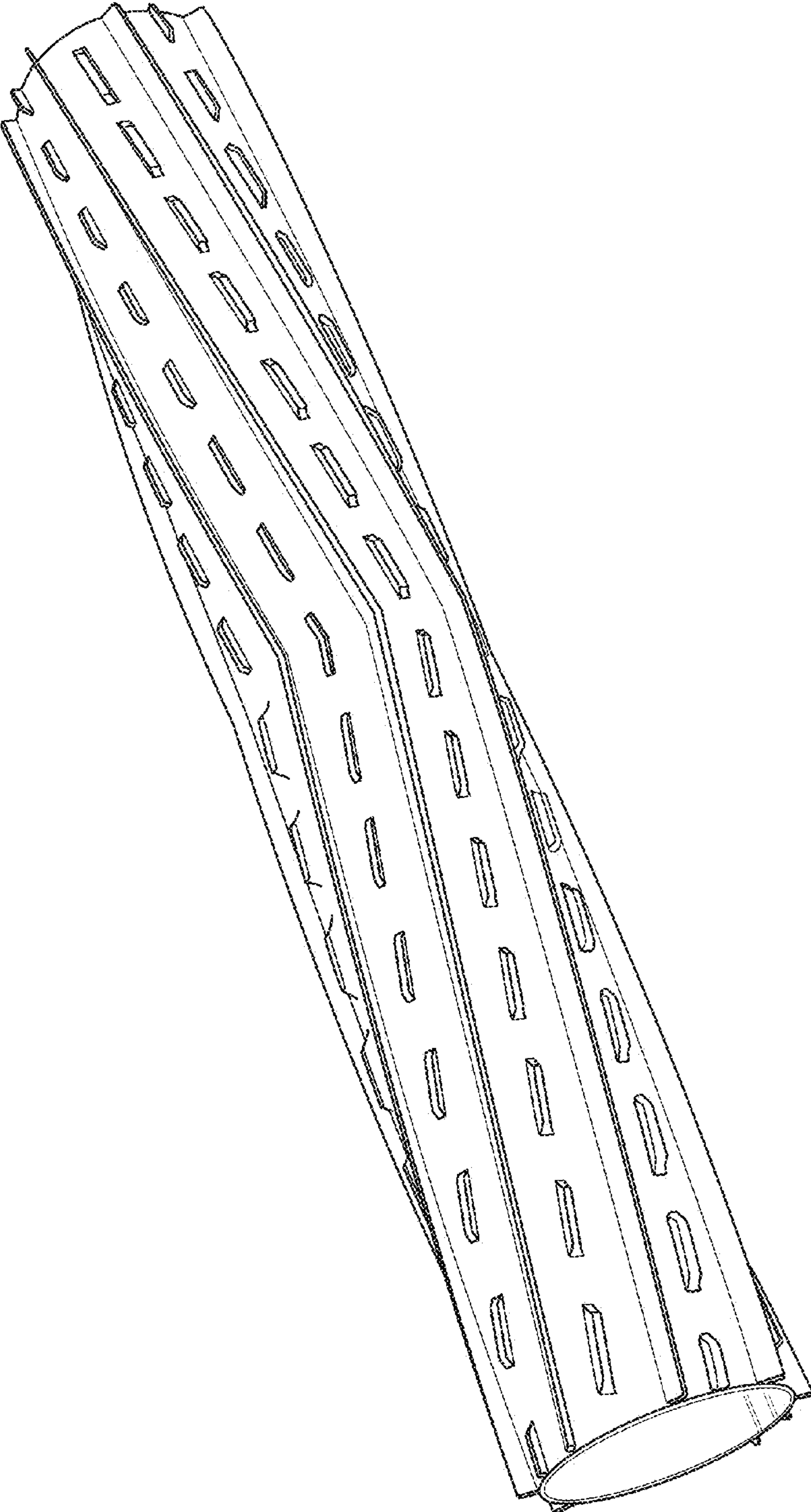


FIG. 1

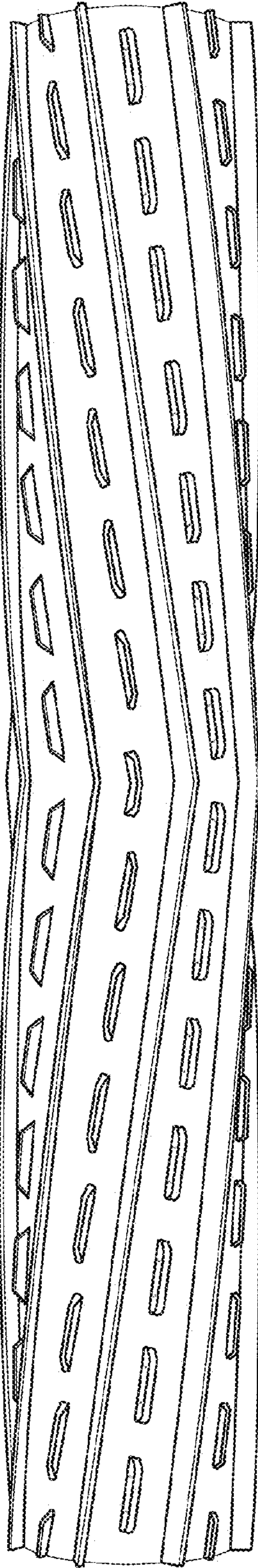


FIG. 2

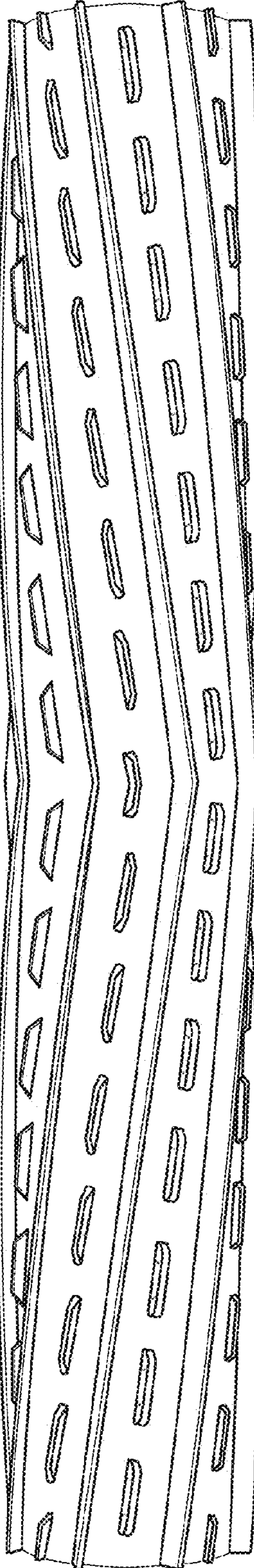


FIG. 3

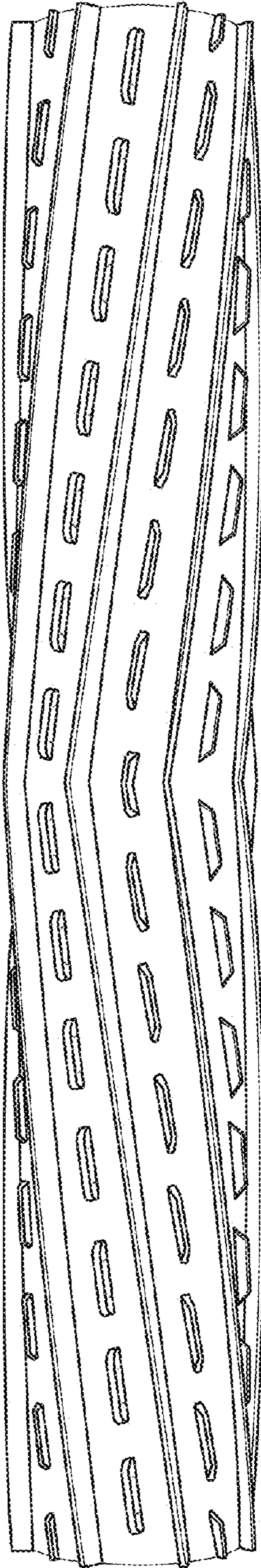


FIG. 4

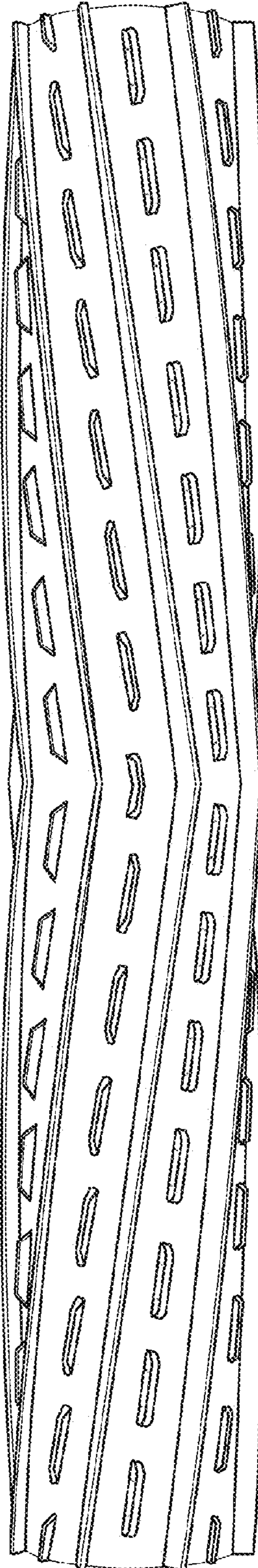


FIG. 5

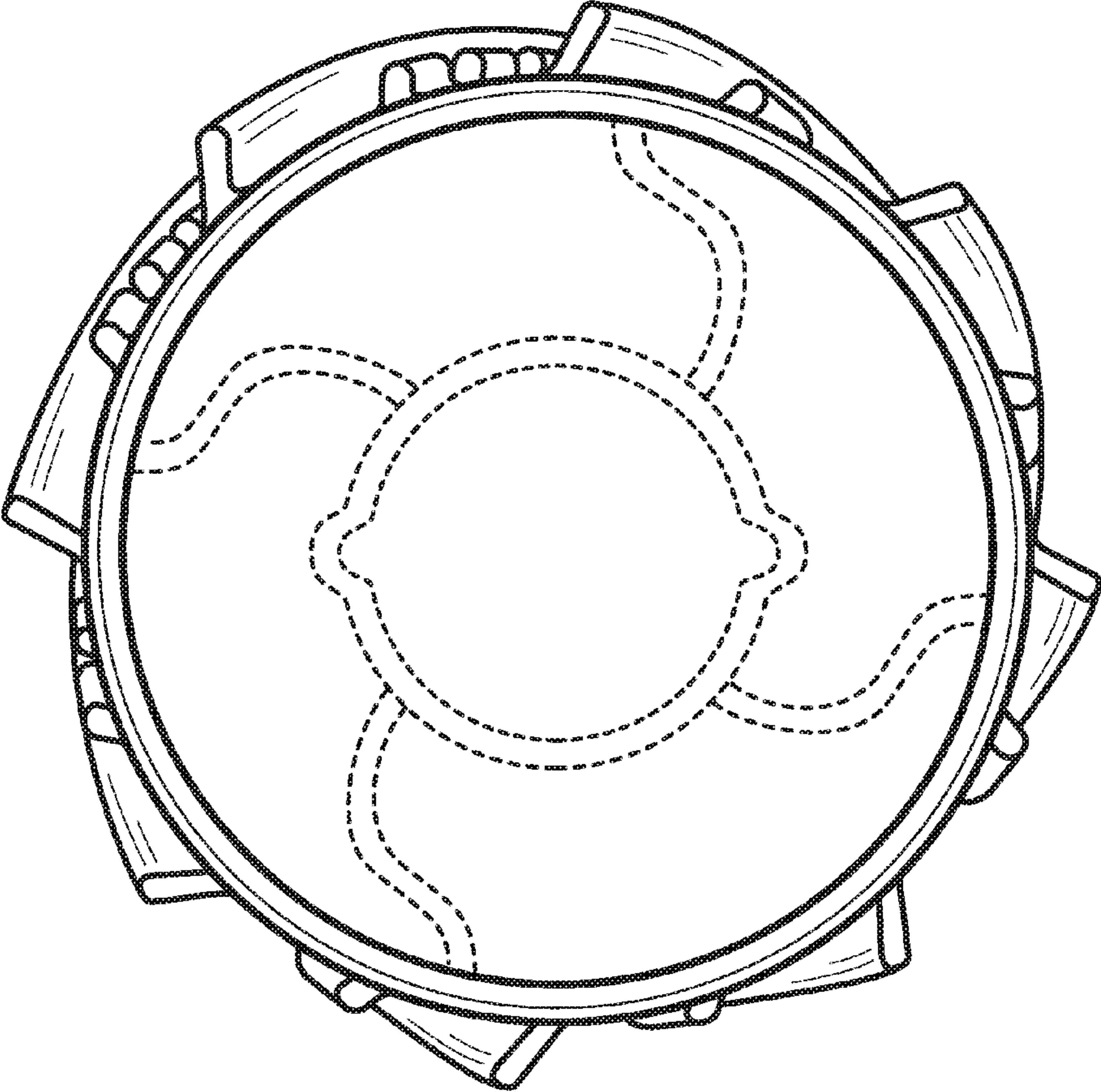


FIG. 6

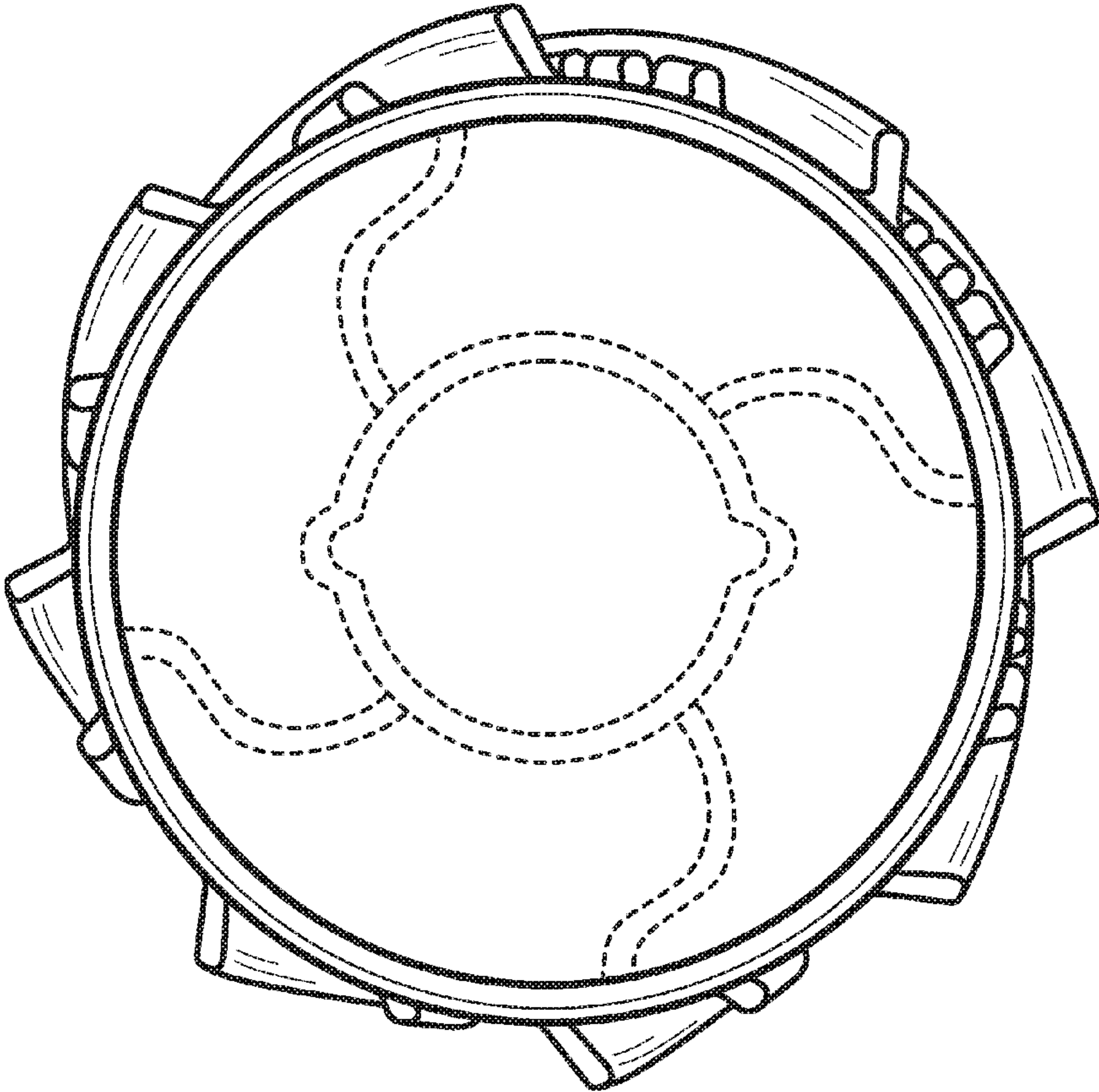


FIG. 7