



US00D747051S

(12) **United States Design Patent**
Yun et al.

(10) **Patent No.:** **US D747,051 S**
(45) **Date of Patent:** **** Jan. 5, 2016**

(54) **HOME APPLIANCE**

- (71) Applicant: **Samsung Electronics Co., Ltd.**,
Suwon-si (KR)
- (72) Inventors: **Deok-Sang Yun**, Ahnsan-Si (KR);
Yeon-Young Nam, Goyang-Si (KR);
Dong-Won Chun, Paju-Si (KR)
- (73) Assignee: **Samsung Electronics Co., Ltd.**,
Suwon-si (KR)
- (**) Term: **14 Years**
- (21) Appl. No.: **29/513,822**
- (22) Filed: **Jan. 6, 2015**

Related U.S. Application Data

- (63) Continuation of application No. 29/480,243, filed on
Jan. 24, 2014, now Pat. No. Des. 723,754.

(30) **Foreign Application Priority Data**

Oct. 22, 2013 (KR) 30-2013-0053209

- (51) **LOC (10) Cl.** **15-05**
- (52) **U.S. Cl.**
USPC **D32/31**
- (58) **Field of Classification Search**
USPC D32/21, 23-24, 31
CPC A47L 5/362; A47L 5/365; A47L 5/28;
A47L 9/26; A47L 11/34; A47L 7/0038;
B65H 75/18

See application file for complete search history.

(56) **References Cited**

U.S. PATENT DOCUMENTS

D445,226	S	*	7/2001	Jupp	D32/21
D550,910	S	*	9/2007	Shin	D32/21
D551,403	S	*	9/2007	Shin	D32/21
D552,310	S	*	10/2007	Shin	D32/21
D552,811	S	*	10/2007	Shin	D32/21
D553,311	S	*	10/2007	Shin	D32/21
D553,812	S	*	10/2007	Shin	D32/21
D554,308	S	*	10/2007	Shin	D32/21
D565,813	S	*	4/2008	Shin	D32/21
D714,001	S	*	9/2014	Yun et al.	D32/21
D714,004	S	*	9/2014	Shin et al.	D32/31
D714,504	S	*	9/2014	Gottschall et al.	D32/31
D718,506	S	*	11/2014	Svantesson	D32/31
D718,508	S	*	11/2014	Svantesson	D32/31
D723,754	S	*	3/2015	Yun et al.	D32/21
D724,801	S	*	3/2015	Yoon et al.	D32/21
D728,179	S	*	4/2015	Yoon et al.	D32/31
D731,722	S	*	6/2015	Yoon et al.	D32/31

* cited by examiner

Primary Examiner — Ruth McInroy

(74) *Attorney, Agent, or Firm* — NSIP Law

(57) **CLAIM**

We claim the ornamental design for a home appliance, as shown and described.

DESCRIPTION

FIG. 1 is a front perspective view of a home appliance showing our new design;
 FIG. 2 is a front view thereof;
 FIG. 3 is a rear view thereof;
 FIG. 4 is a left-side view thereof;
 FIG. 5 is a right-side view thereof;
 FIG. 6 is a top view thereof; and,
 FIG. 7 is a bottom view thereof.
 The broken lines in the figures show portions of the home appliance which form no part of the claimed design.

1 Claim, 7 Drawing Sheets

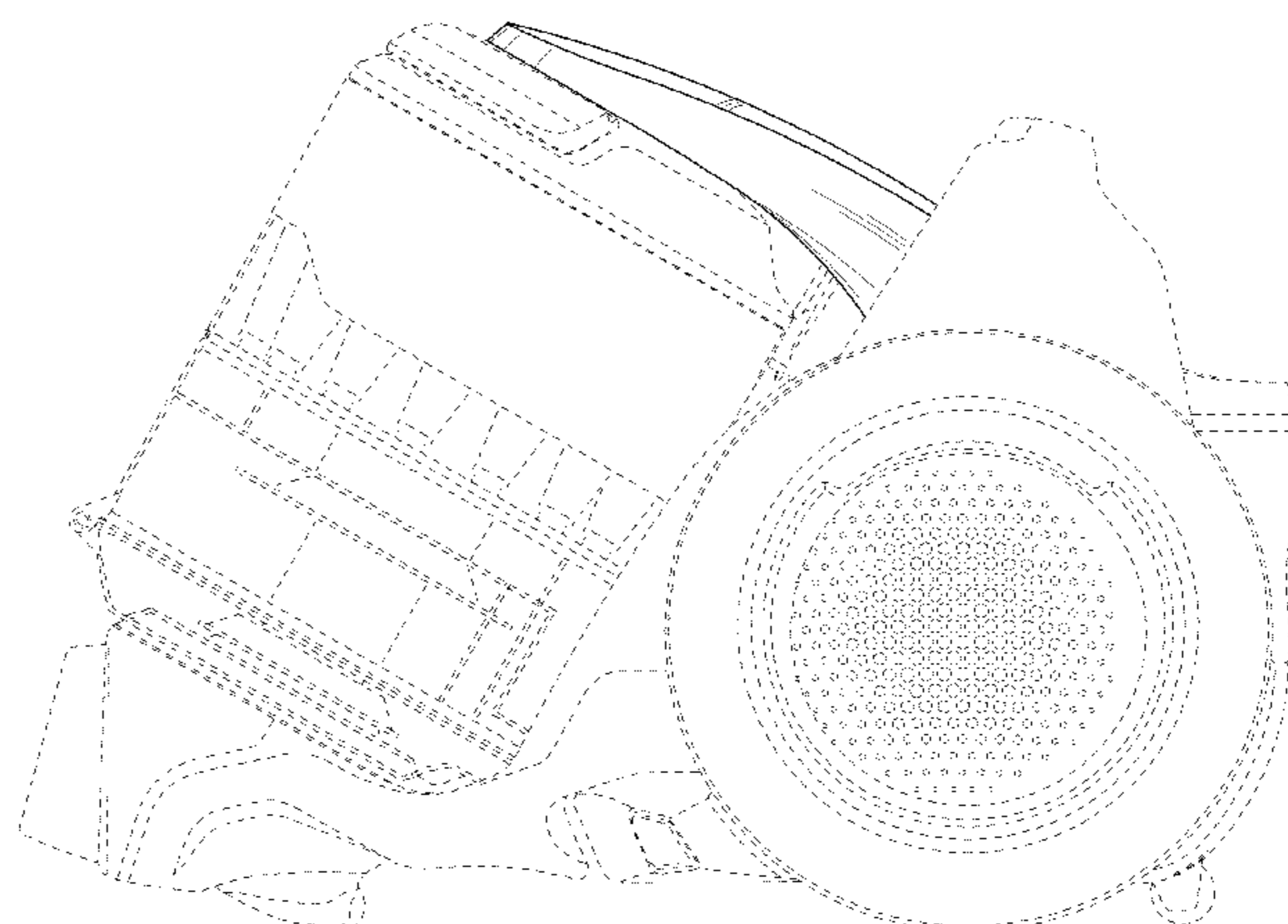
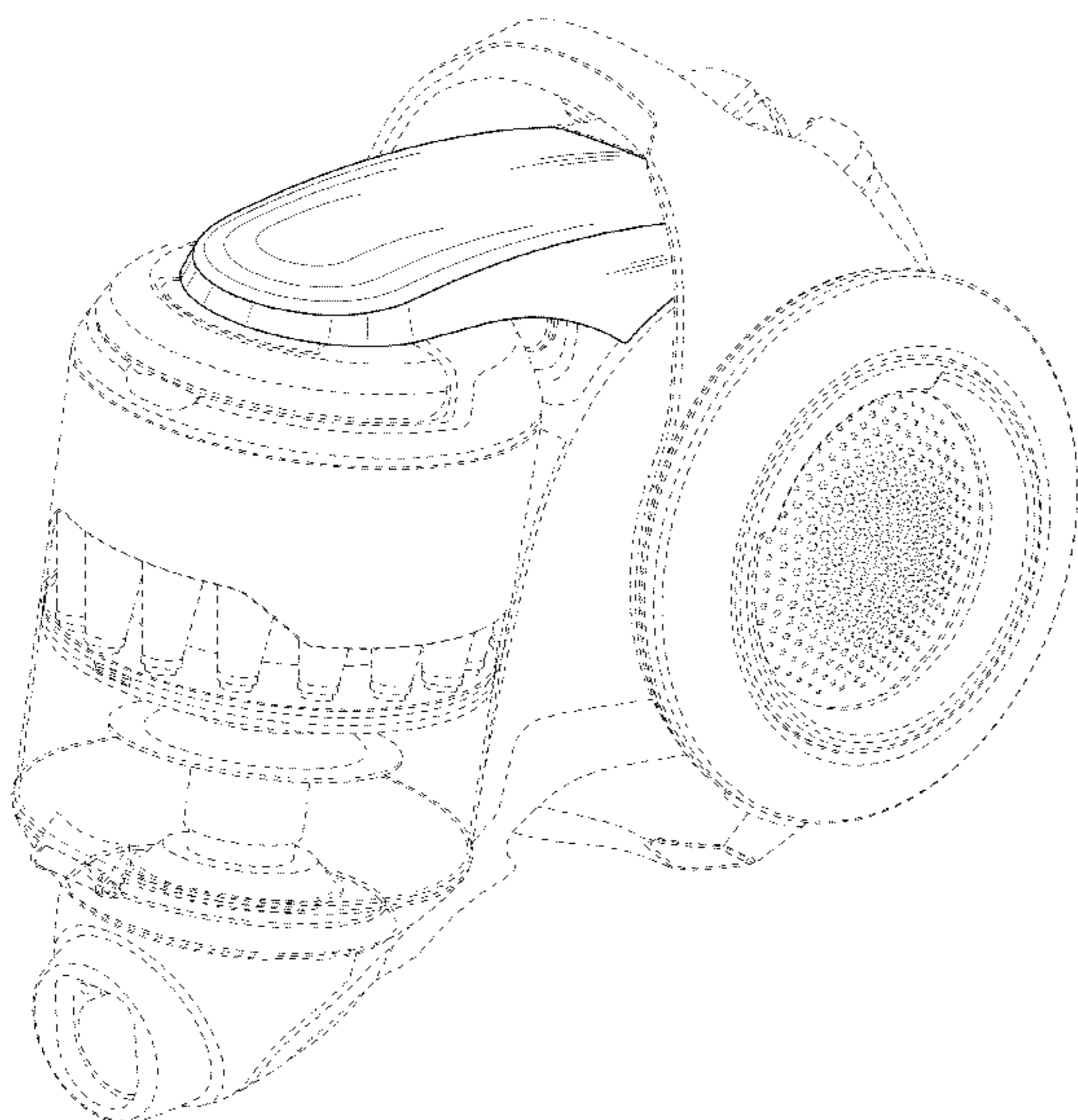


FIG. 1

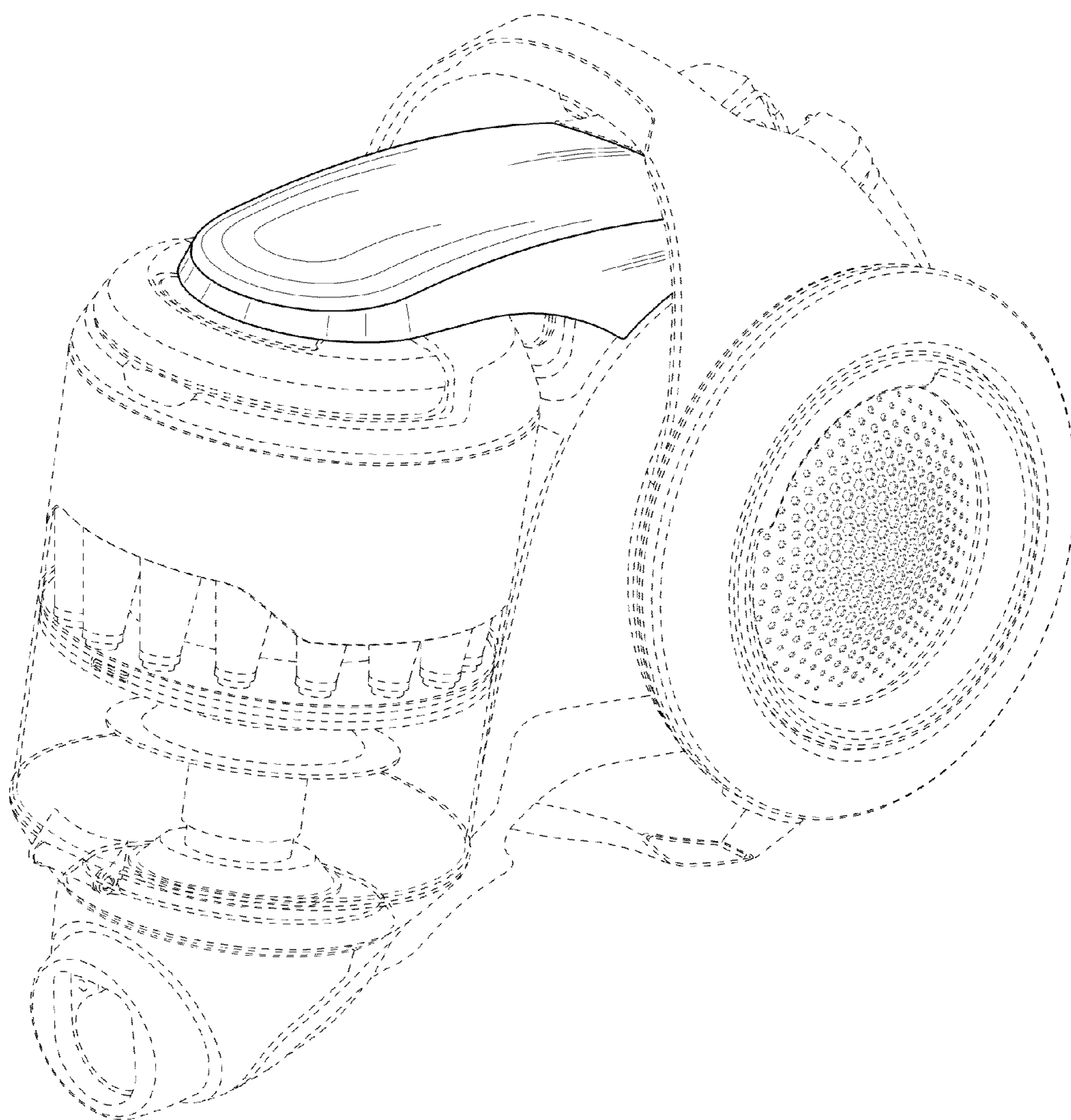


FIG. 2

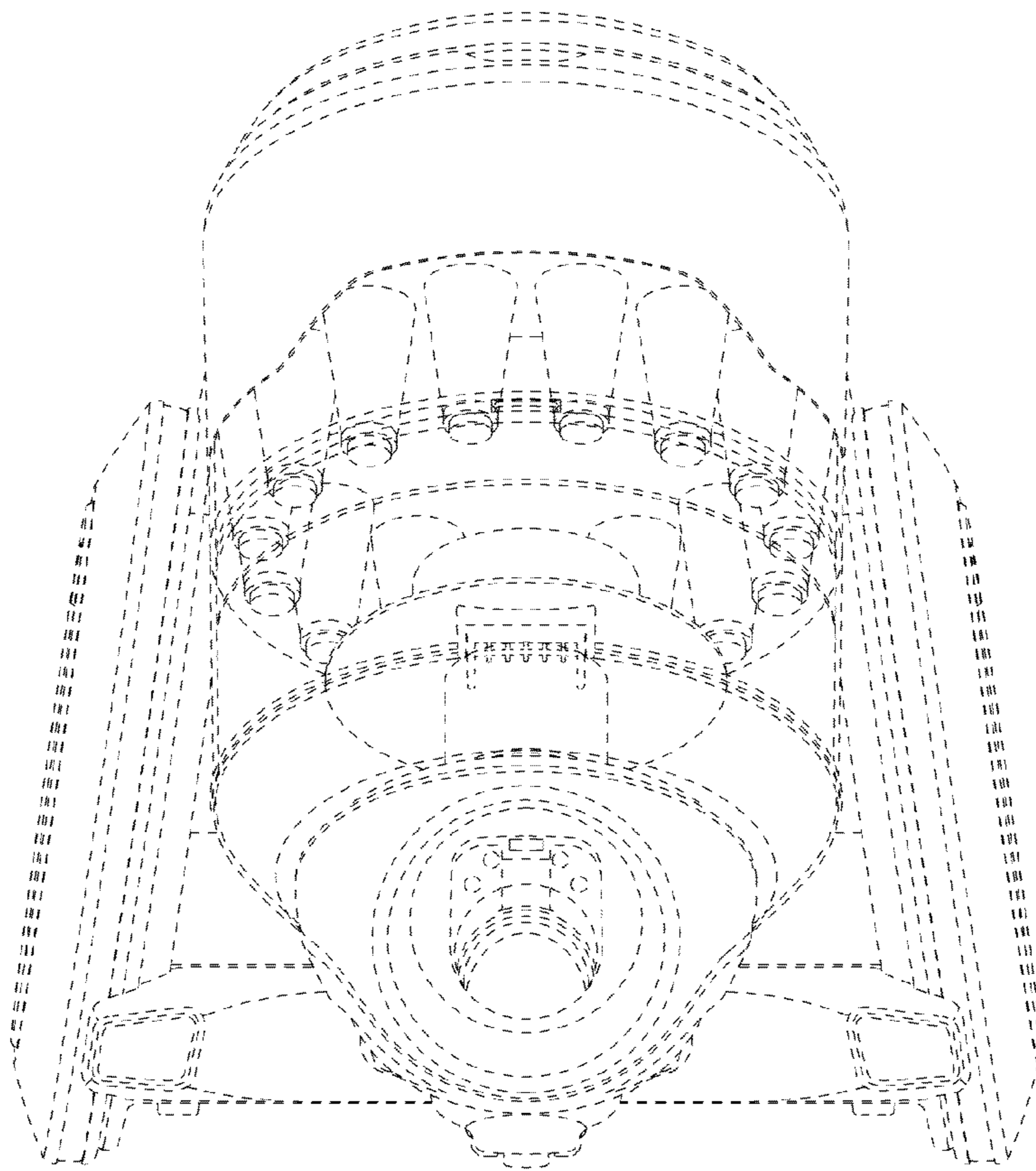


FIG. 3

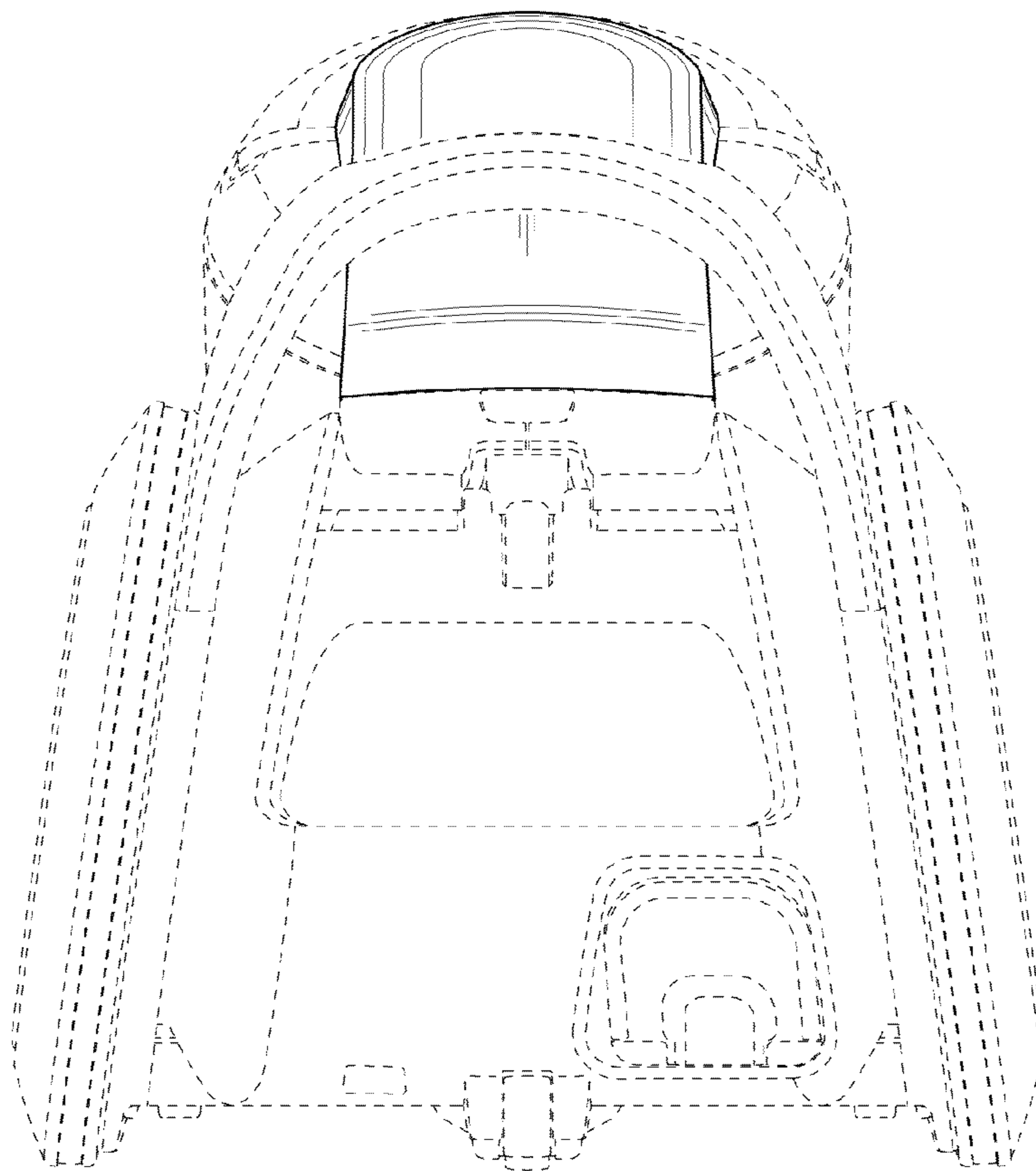


FIG. 4

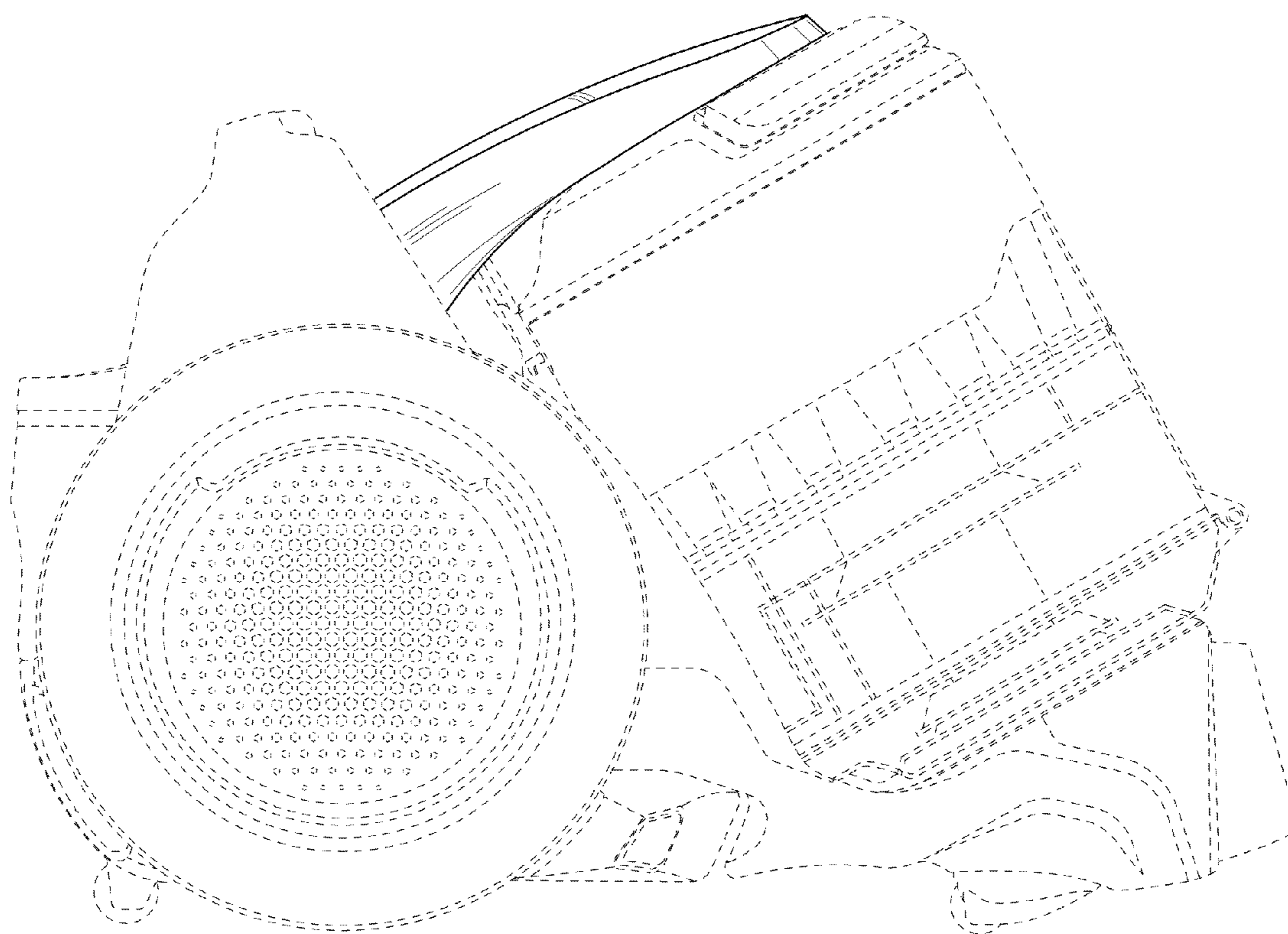


FIG. 5

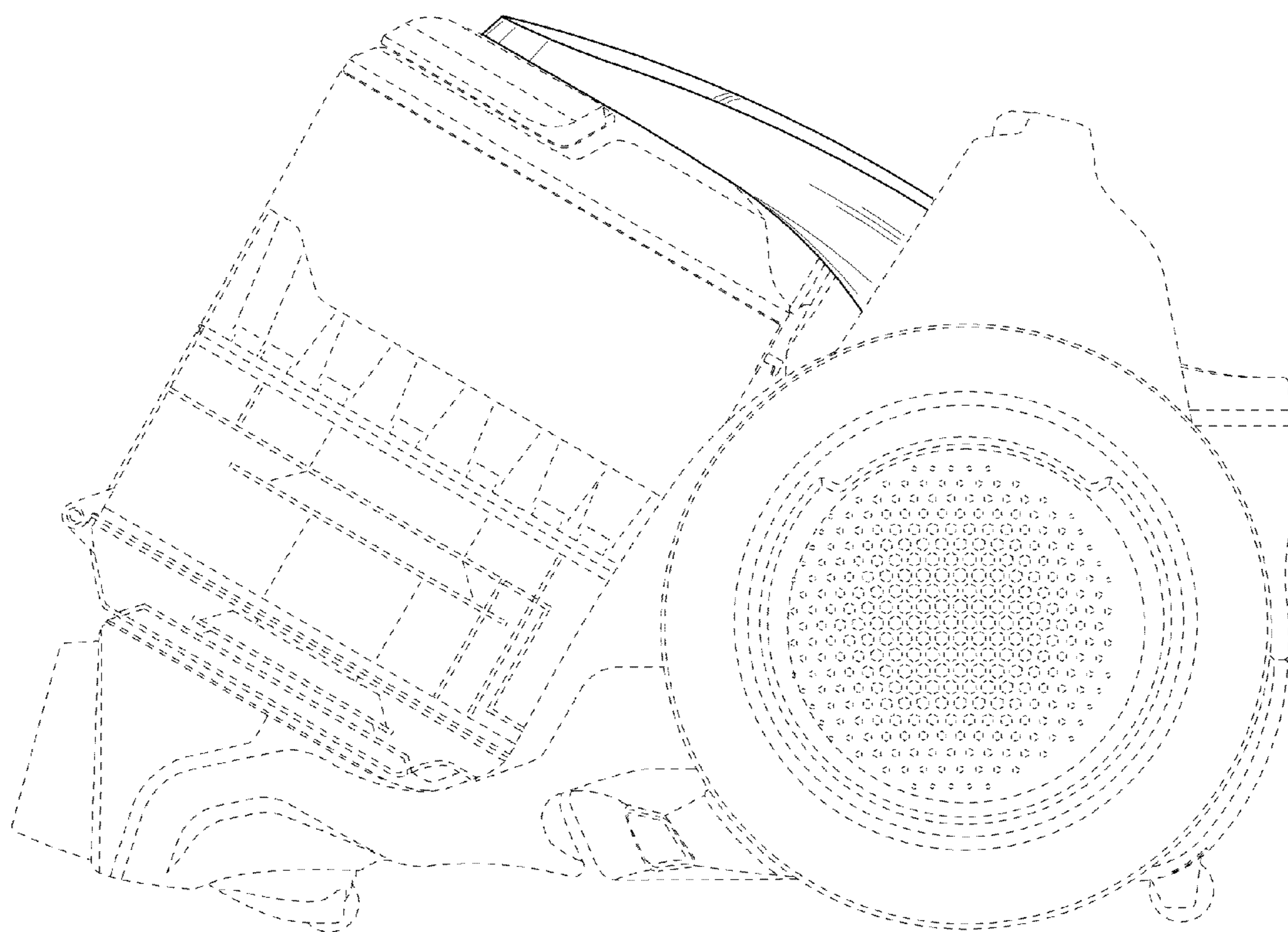


FIG. 6

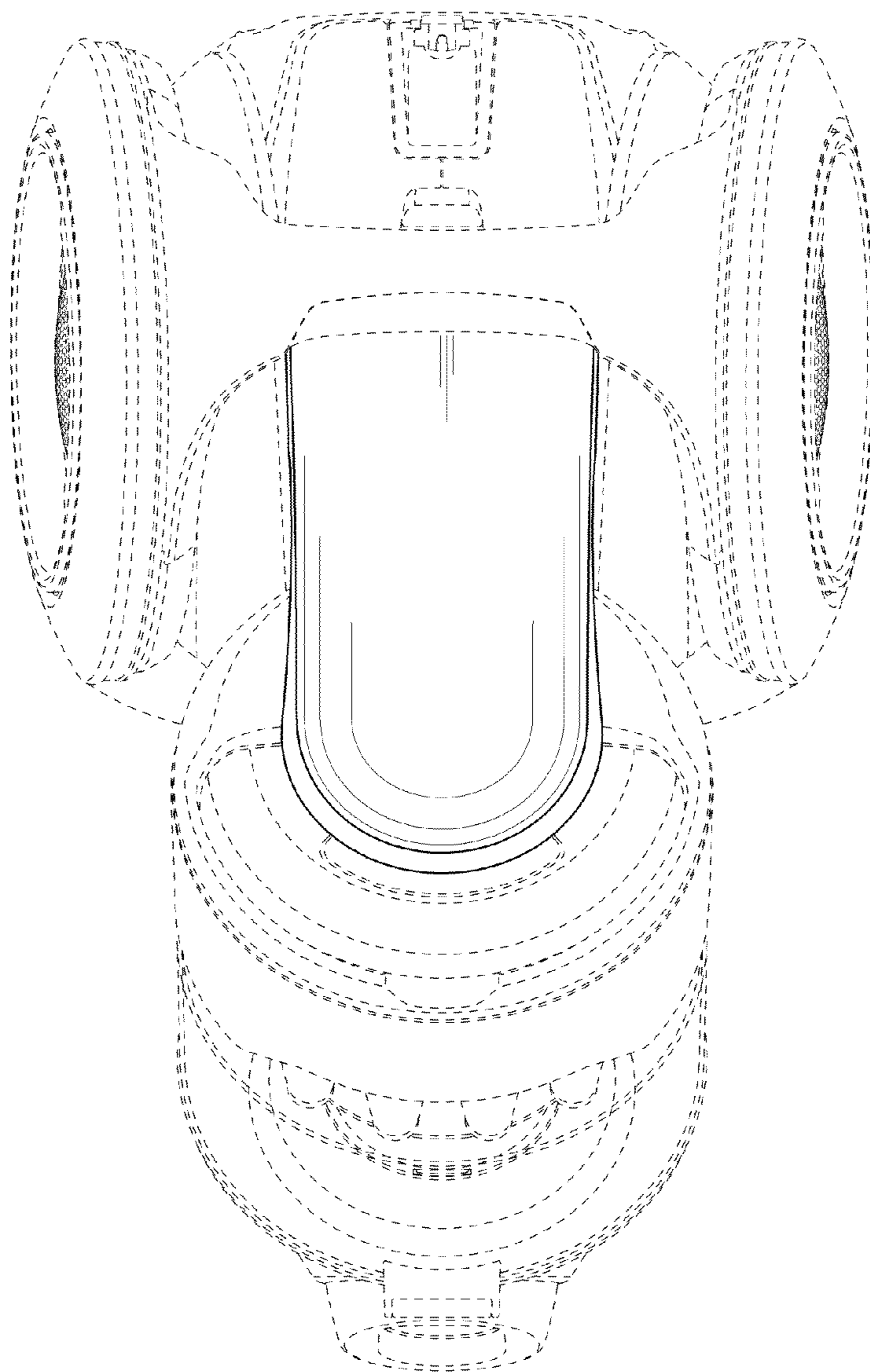


FIG. 7

